



US00D467537S

(12) **United States Design Patent**
Wu et al.

(10) **Patent No.:** **US D467,537 S**

(45) **Date of Patent:** **** Dec. 24, 2002**

(54) **VARIABLE OPTICAL ATTENUATOR**

4,952,798 A * 8/1990 Graham et al. 250/227.11

(75) Inventors: **Kun-Tsan Wu**, Tu-Chen (TW); **Chien Cheng Chen**, Tu-Chen (TW)

* cited by examiner

(73) Assignee: **Hon Hai Precision Ind. Co., Ltd.**,
Taipei Hsien (TW)

Primary Examiner—Lisa Lichtenstein
(74) *Attorney, Agent, or Firm*—Wei Te Chung

(**) Term: **14 Years**

(57) **CLAIM**

(21) Appl. No.: **29/150,645**

The ornamental design for a variable optical attenuator, as shown.

(22) Filed: **Nov. 13, 2001**

DESCRIPTION

(30) **Foreign Application Priority Data**

Oct. 12, 2001 (TW) 090306469

FIG. 1 is a perspective view of a variable optical attenuator showing our new design;

(51) **LOC (7) Cl.** **13-01**

FIG. 2 is a front view thereof;

(52) **U.S. Cl.** **D13/101**

FIG. 3 is a rear view thereof;

(58) **Field of Search** D13/101; 250/227.11,
250/239; 356/73.1

FIG. 4 is a left side elevational view thereof;

FIG. 5 is a right side elevational view thereof;

FIG. 6 is a top plan view thereof; and,

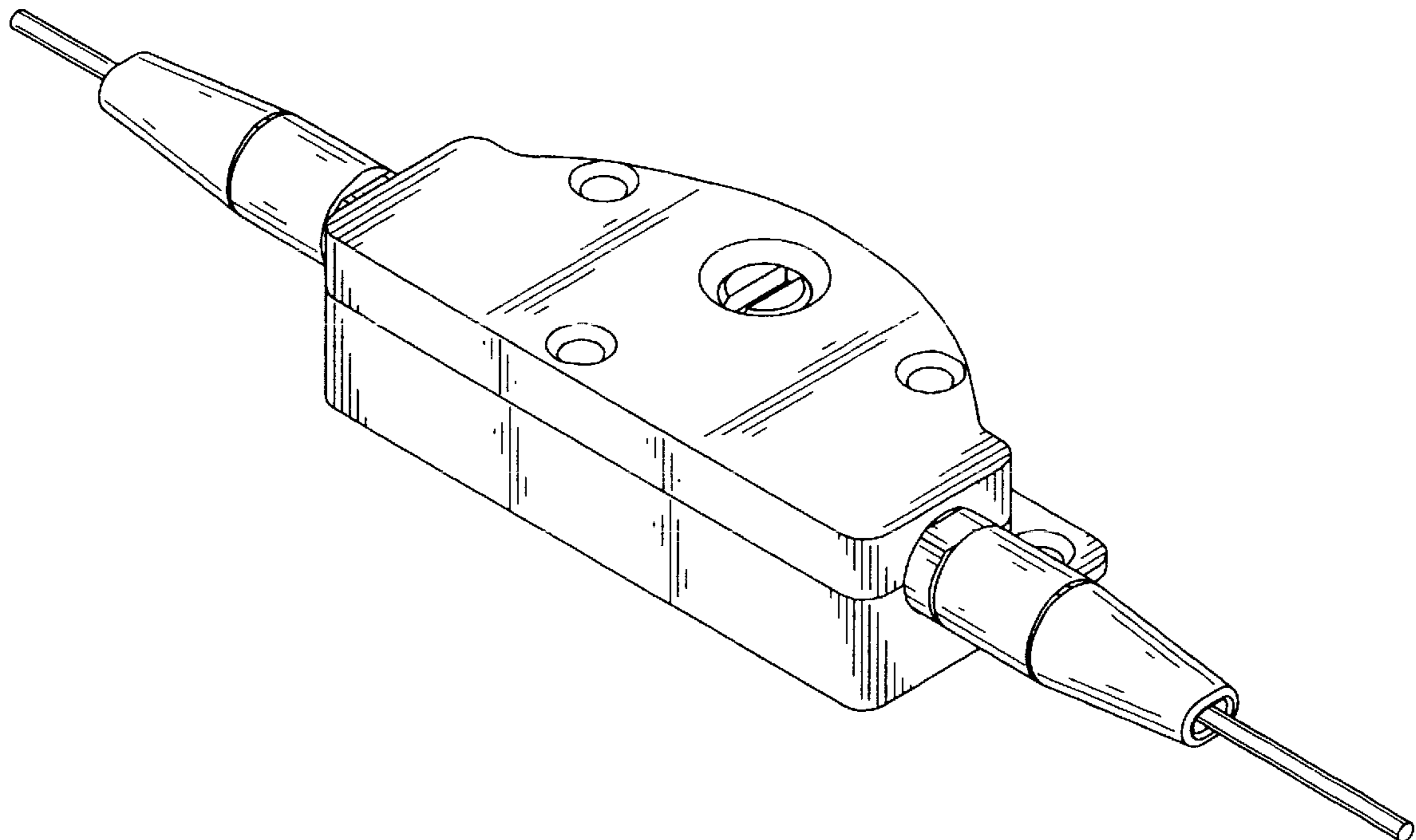
FIG. 7 is a bottom plan view thereof.

(56) **References Cited**

U.S. PATENT DOCUMENTS

4,736,100 A * 4/1988 Vastagh 250/227.11

1 Claim, 4 Drawing Sheets



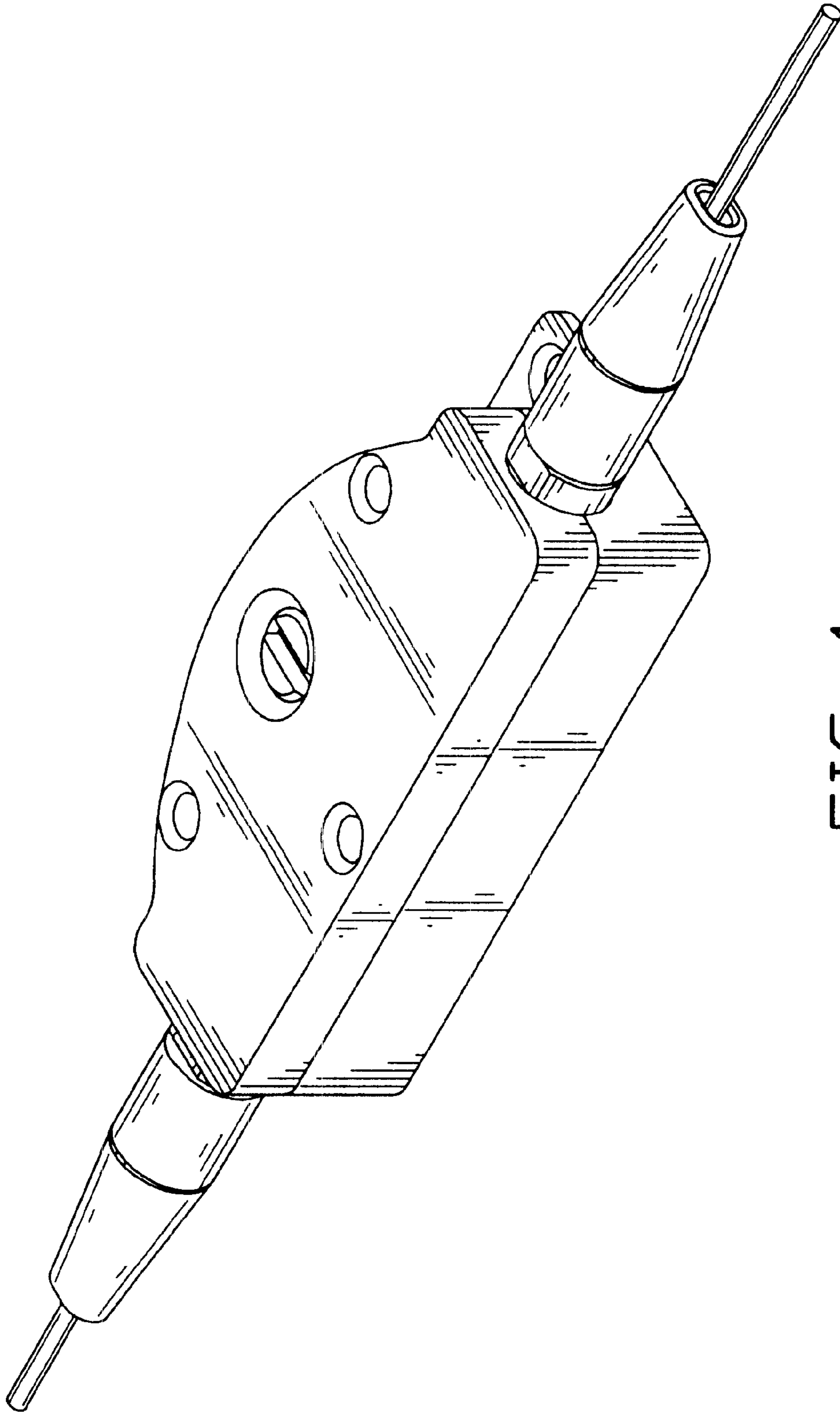


FIG. 1

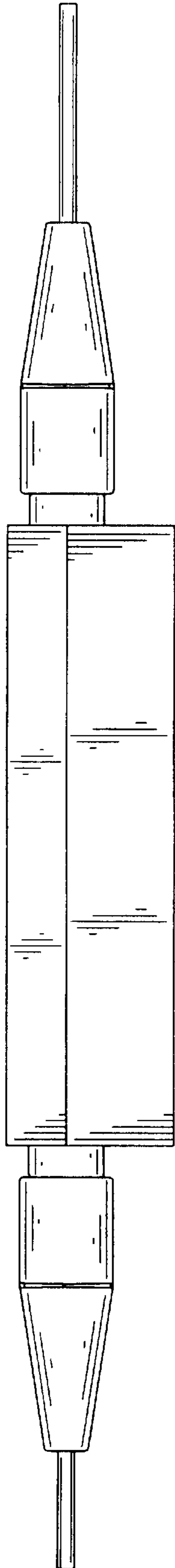


FIG. 2

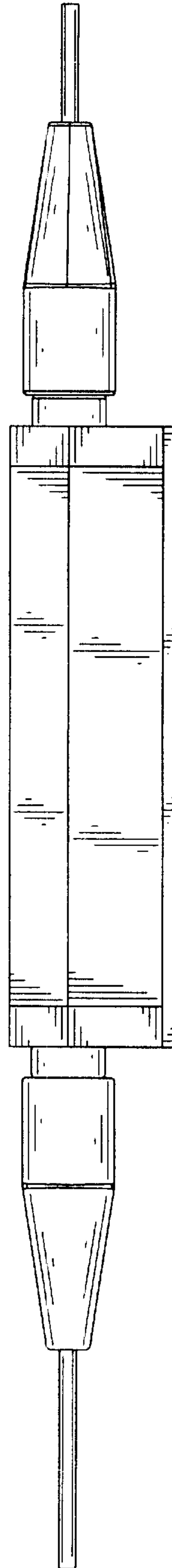


FIG. 3

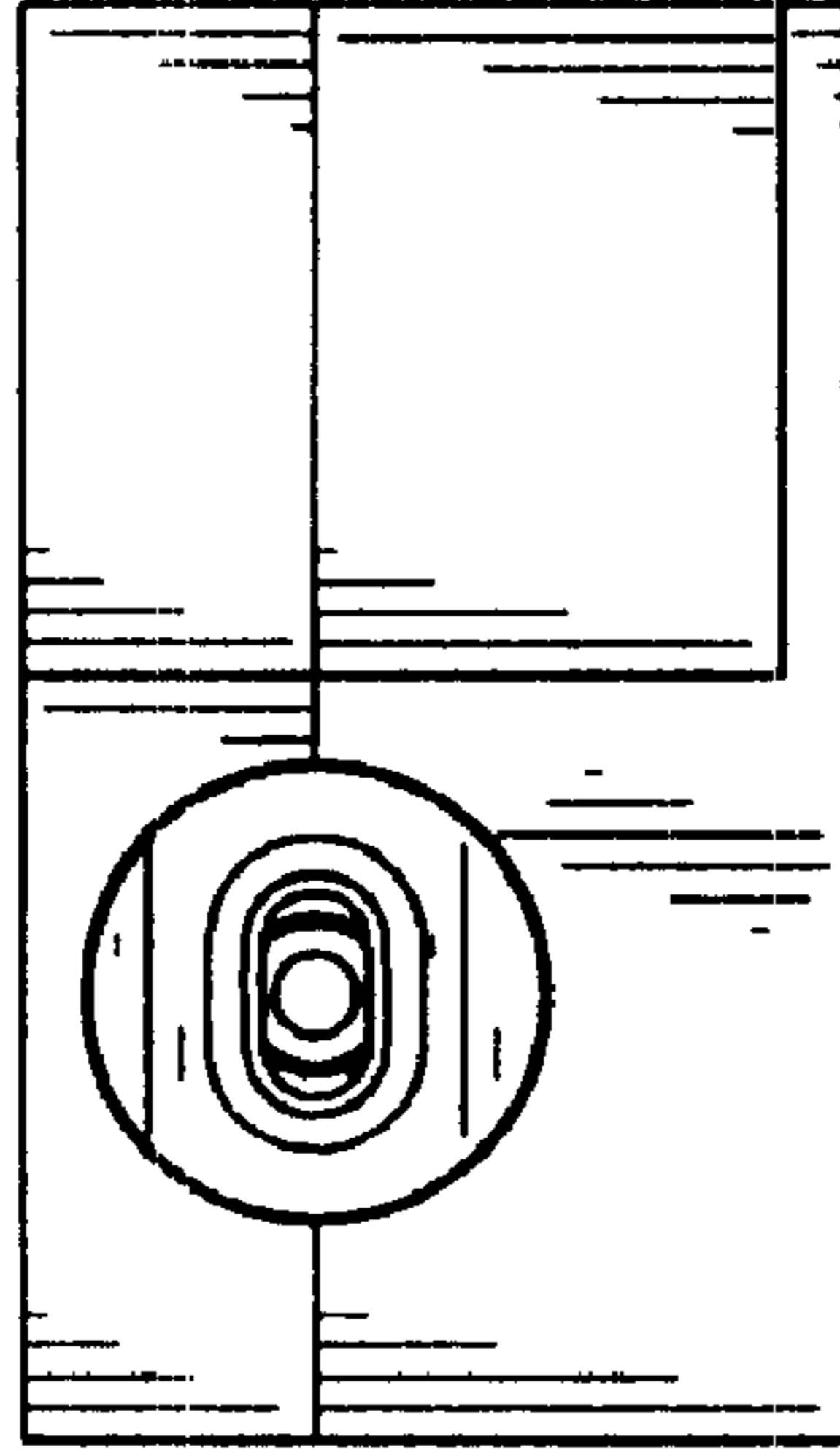


FIG. 5

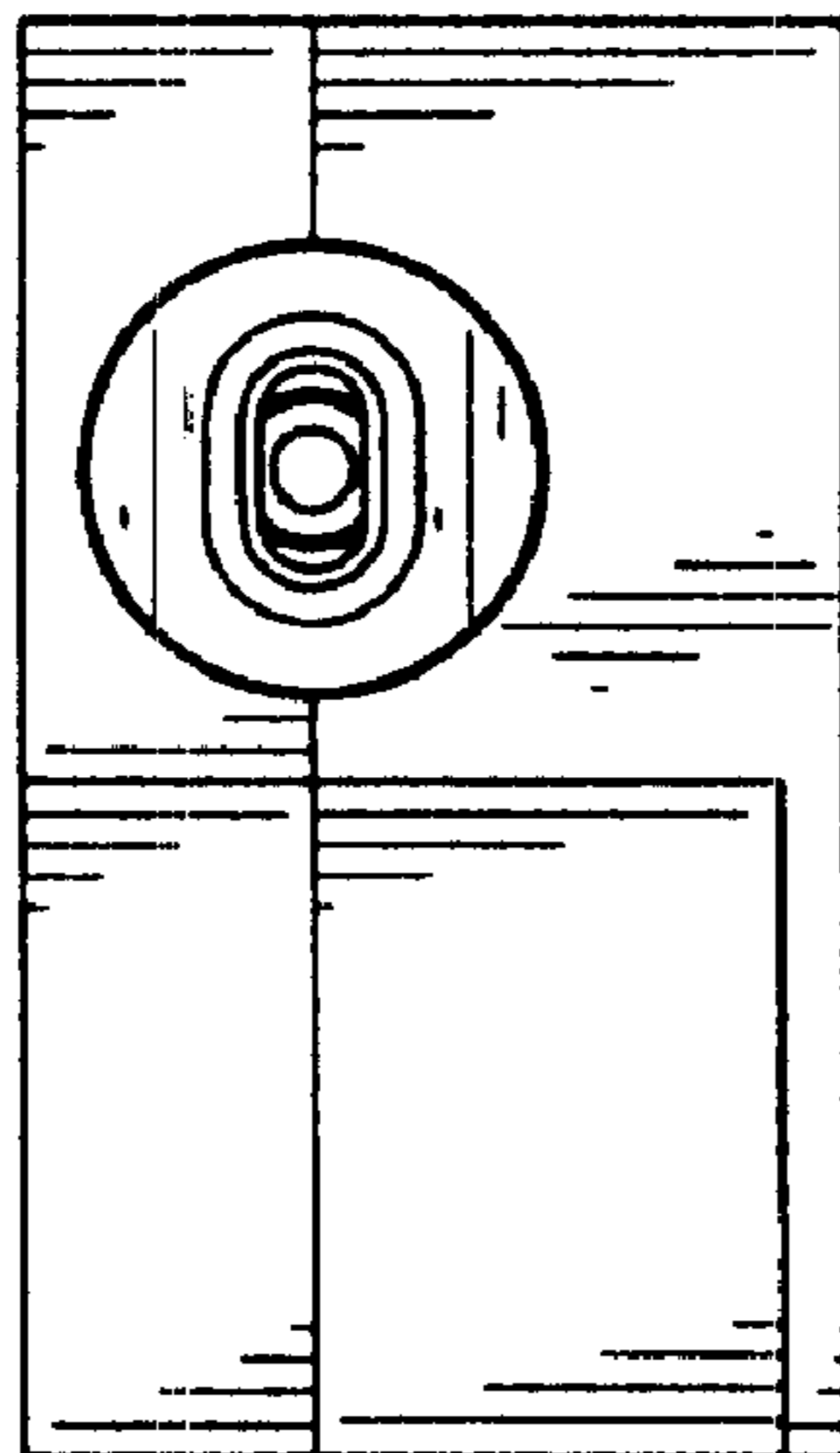


FIG. 4

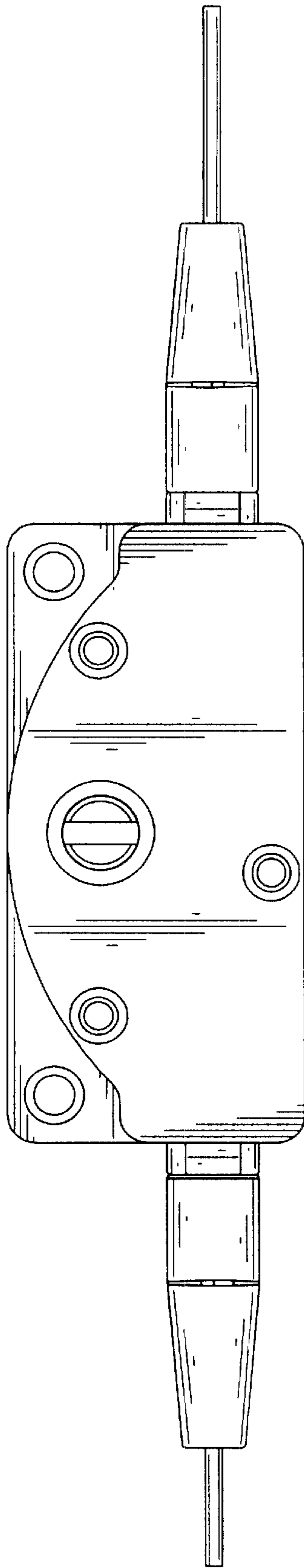


FIG. 6

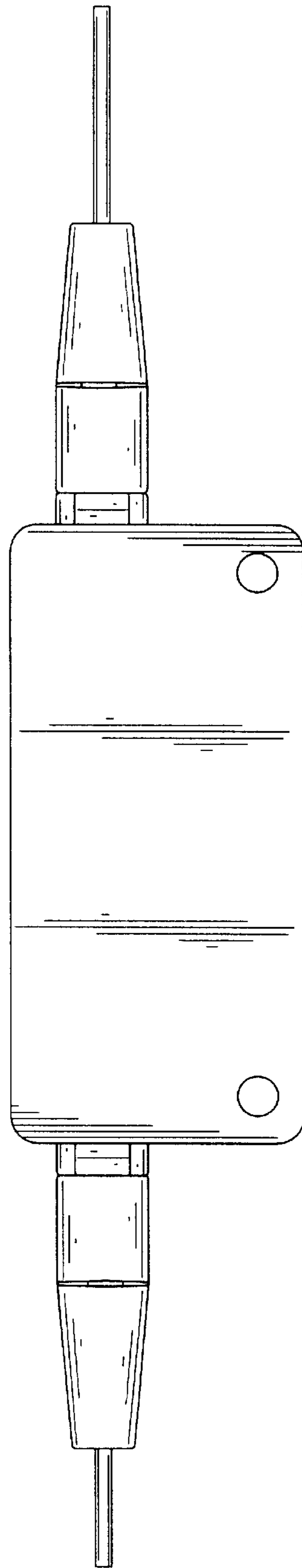


FIG. 7