



US00D467534S

(12) **United States Design Patent**
Tomlinson et al.

(10) **Patent No.:** **US D467,534 S**

(45) **Date of Patent:** **** *Dec. 24, 2002**

(54) **PANEL FOR AN ENGINE TUNNEL
CONSOLE OF A MOBILE VEHICLE**

(75) **Inventors:** **Larry L. Tomlinson**, Mountain Home,
AR (US); **Douglas A. Schlaudroff**, Fort
Wayne, IN (US); **Patrick E. Temple**,
Wapakoneta, OH (US); **Kenneth
Bultemeier, Jr.**, Fort Wayne, IN (US);
Richard B. Hatch, Fort Wayne, IN
(US); **Darrell S. Bowman**, Fort Wayne,
IN (US)

(73) **Assignee:** **International Truck and Engine
Corporation**, Chicago, IL (US)

(*) **Notice:** This patent is subject to a terminal dis-
claimer.

(**) **Term:** **14 Years**

(21) **Appl. No.:** **29/127,151**

(22) **Filed:** **Jul. 31, 2000**

(51) **LOC (7) Cl.** **12-16**

(52) **U.S. Cl.** **D12/419**

(58) **Field of Search** D12/400, 415,
D12/416, 419, 421-426; 296/37.1, 37.6,
37.8-37.16; 224/42.11, 926, 539, 327, 275-276,
540-542, 400; D7/619-622, 701, 707-708;
108/44-45; 180/90

(56) **References Cited**

U.S. PATENT DOCUMENTS

D271,541 S * 11/1983 Rockwell D12/419

D273,442 S * 4/1984 Schroeder D12/419
D321,431 S * 11/1991 Dunkeld D12/419
D328,973 S * 9/1992 Mankey D12/419
D368,889 S * 4/1996 Mankey et al. D12/419
D375,931 S * 11/1996 Ferrigan D12/419
D390,186 S * 2/1998 Smith D12/419
D432,491 S * 10/2000 Sacco et al. D12/419
D434,720 S * 12/2000 Haack et al. D12/419

* cited by examiner

Primary Examiner—Stacia Cadmus

(74) *Attorney, Agent, or Firm*—Jeffrey P. Calfa; Dennis
Kelly Sullivan Gilberto Hernandez; Neil T. Powell

(57) **CLAIM**

The ornamental design for a panel for an engine tunnel
console of a mobile vehicle, as shown and described.

DESCRIPTION

FIG. 1 is a right, front perspective view of a panel for an
engine tunnel console of a mobile vehicle shown installed on
a vehicle engine tunnel console of a mobile vehicle showing
our new design, it may be understood that the broken lines
on all figures are for illustrative purposes only and form no
part of the claimed design;

FIG. 2 is a right perspective view thereof;

FIG. 3 is a left side view thereof; and,

FIG. 4 is a right side view thereof.

1 Claim, 2 Drawing Sheets

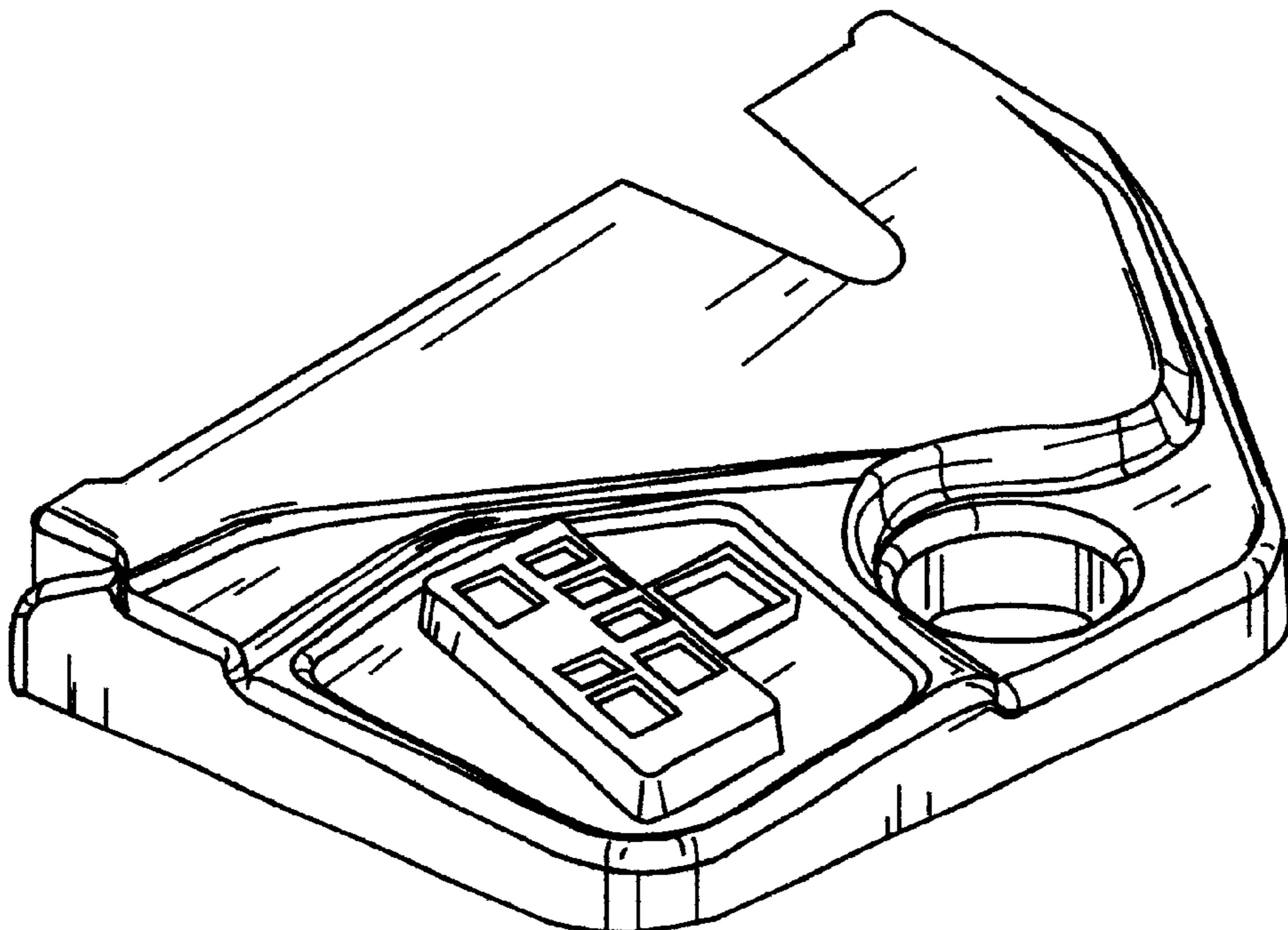


FIG. 1

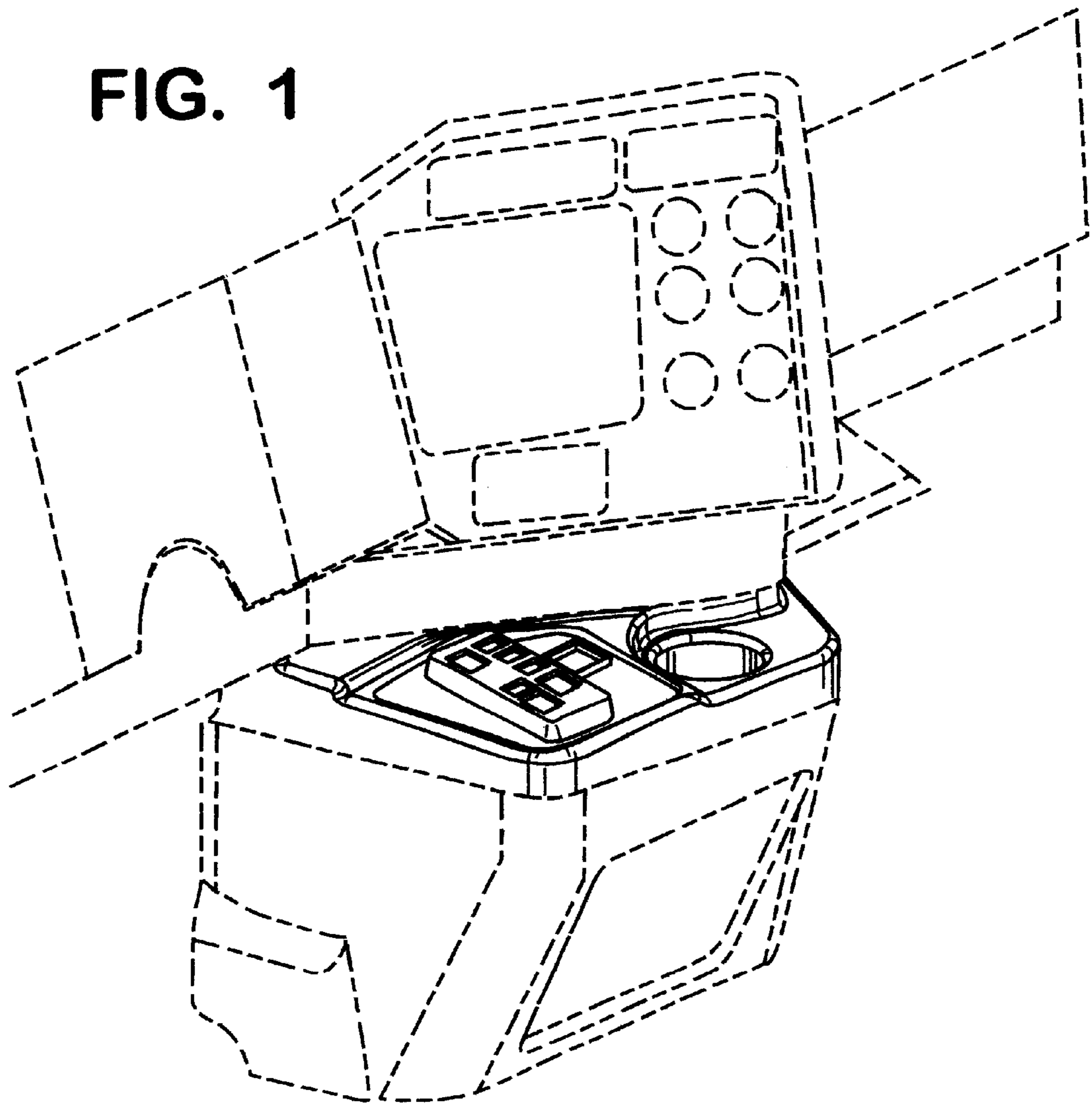


FIG. 2

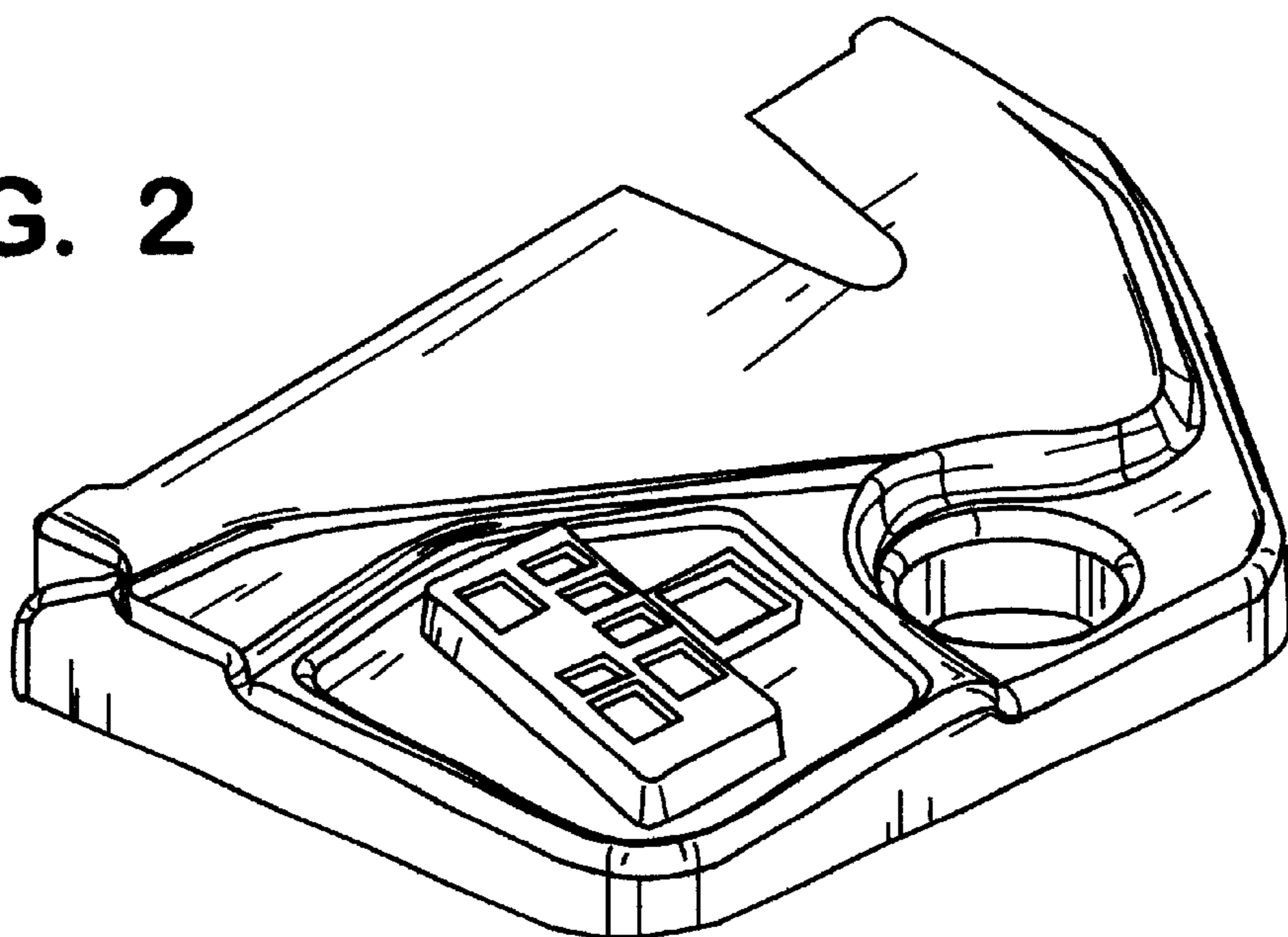


FIG. 3

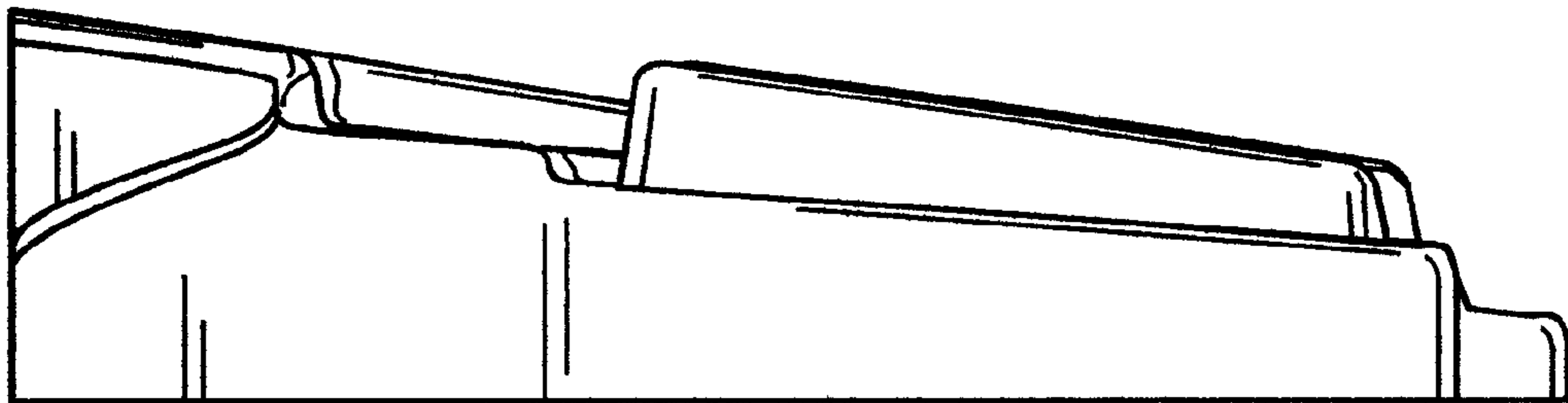


FIG. 4

