



US00D467533S

(12) **United States Design Patent**
Han

(10) **Patent No.:** **US D467,533 S**

(45) **Date of Patent:** **** Dec. 24, 2002**

(54) **LONG DISTANCE LONG RANGE
SUPERSONIC JET FIGHTER**

D439,876 S * 4/2001 Simonou et al. D12/319
D458,577 S * 6/2002 Han D12/319

(76) **Inventor:** **Charlie Ko Chen Han**, 2458 Early
Rivers Pl., Union City, CA (US) 94587

* cited by examiner

Primary Examiner—Marcus A. Jackson

(**) **Term:** **14 Years**

(57) **CLAIM**

(21) **Appl. No.:** **29/159,916**

The ornamental design for a long distance long range
supersonic jet fighter, as shown and described.

(22) **Filed:** **Apr. 30, 2002**

(51) **LOC (7) Cl.** **12-12**

(52) **U.S. Cl.** **D12/319**

(58) **Field of Search** D12/319-345;
244/45 A, 45 R, 13, 15, 91, 198, 120, 211,
218

DESCRIPTION

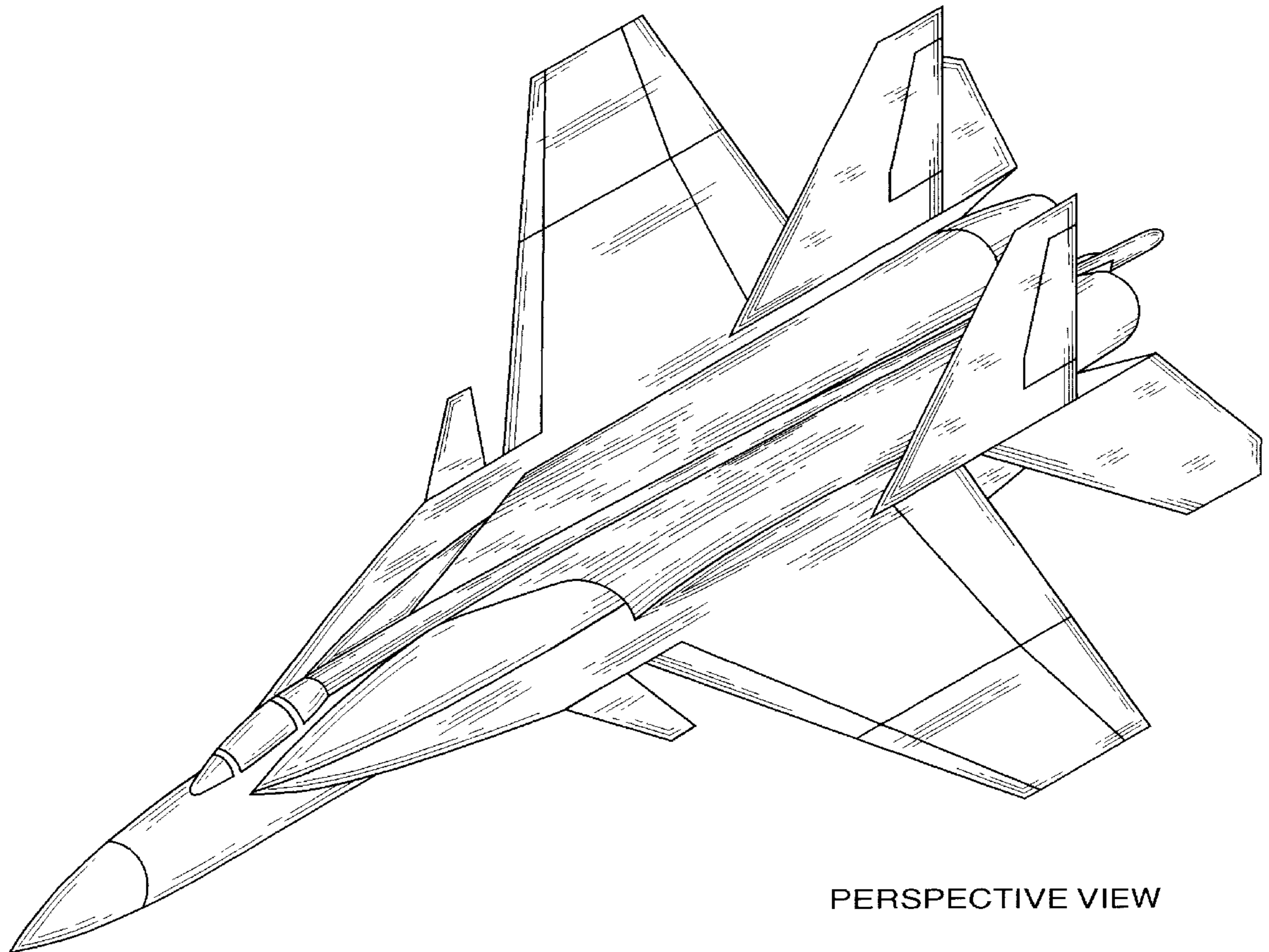
FIG. 1 is a front elevational view of a long distance long
range supersonic jet fighter;
FIG. 2 is a side elevational view thereof, with the opposite
side being a mirror image;
FIG. 3 is a top plan view thereof; and,
FIG. 4 is a perspective view thereof.

(56) **References Cited**

U.S. PATENT DOCUMENTS

D417,184 S * 11/1999 Hartmann et al. D12/319

1 Claim, 4 Drawing Sheets



PERSPECTIVE VIEW

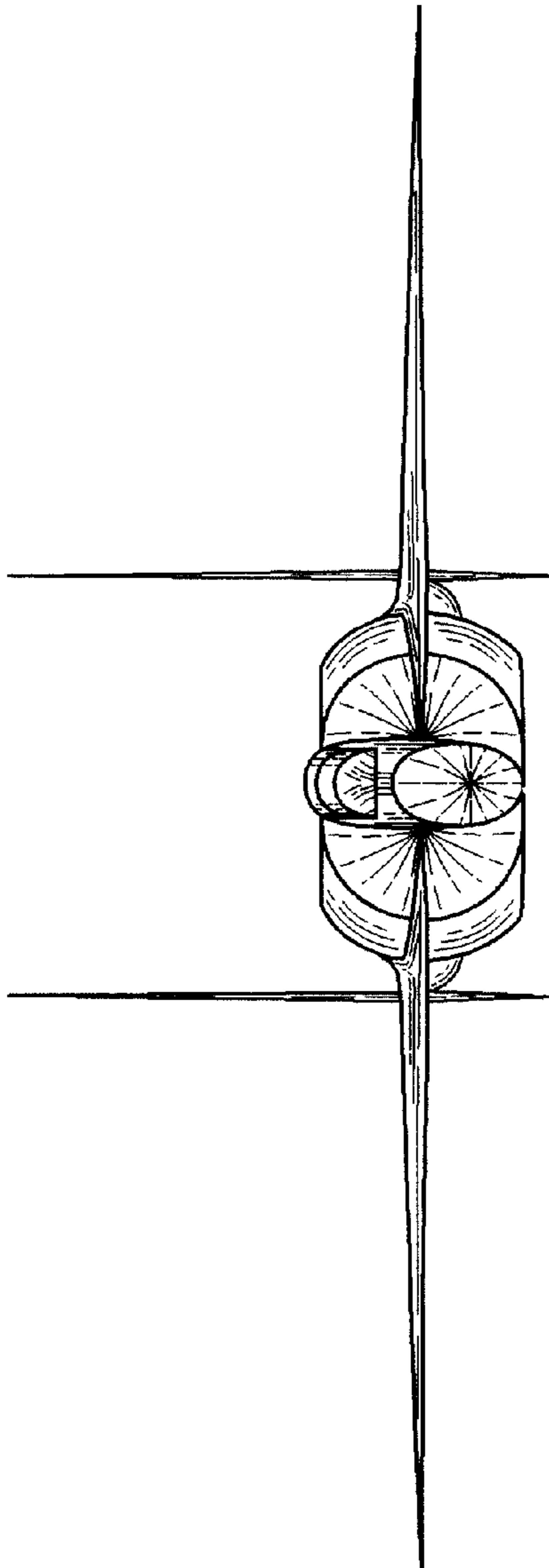


Fig. 1

FRONT VIEW

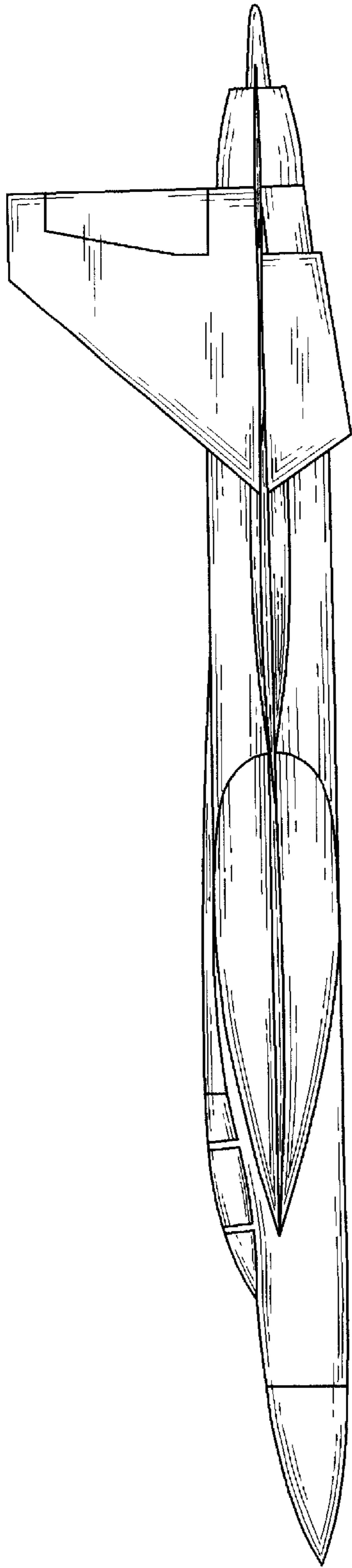
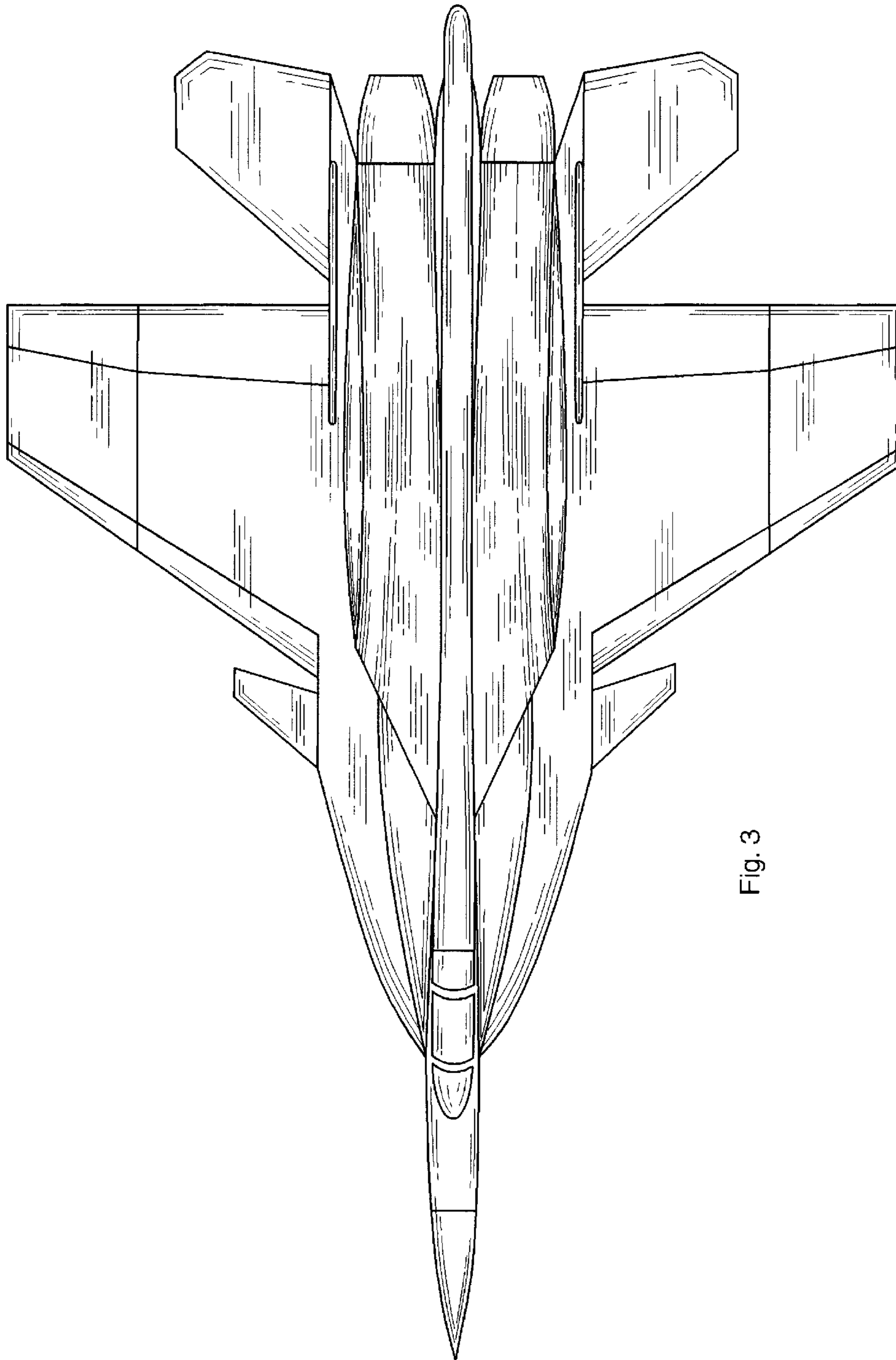


Fig. 2

SIDE VIEW



TOP VIEW

Fig. 3

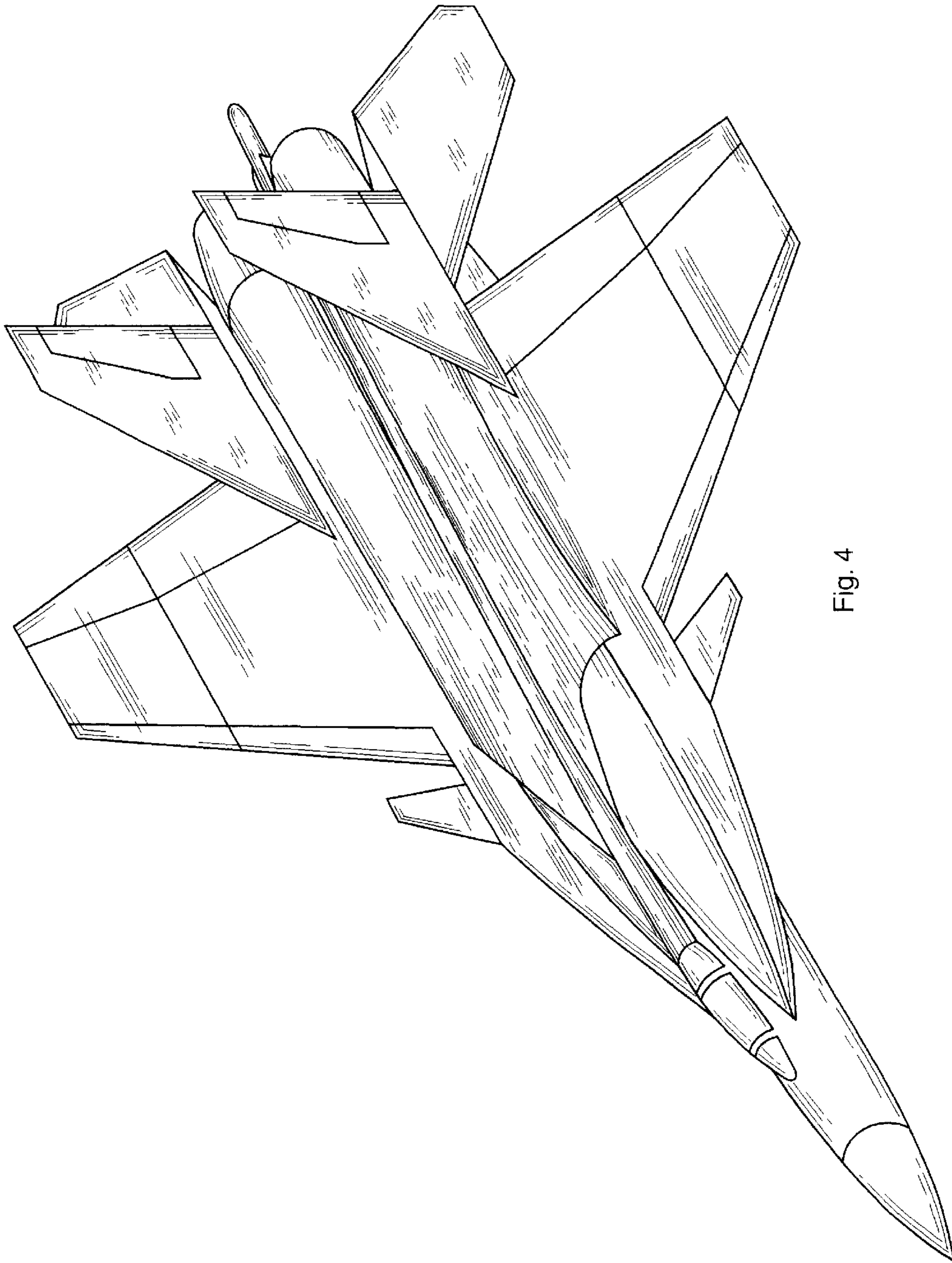


Fig. 4

PERSPECTIVE VIEW