



US00D467525S

(12) **United States Design Patent**
Sarmiento

(10) **Patent No.:** **US D467,525 S**

(45) **Date of Patent:** **** Dec. 24, 2002**

(54) **TRUCK CAB**

(75) **Inventor:** **Francisco Mondragon Sarmiento,**
Hidalgo (MX)

(73) **Assignee:** **Consorcio G. Grupo Dina, S.A. De**
C.V., Col. Del Valle (MX)

(**) **Term:** **14 Years**

(21) **Appl. No.:** **29/133,722**

(22) **Filed:** **Dec. 4, 2000**

(30) **Foreign Application Priority Data**

Jun. 2, 2000 (MX) 000738

(51) **LOC (7) Cl.** **12-08**

(52) **U.S. Cl.** **D12/93**

(58) **Field of Search** D12/96, 97; 296/27,
296/182, 183, 190; 180/89.12, 89.14, 89.16,
89.19; 440/6, 7, 56

(56) **References Cited**

U.S. PATENT DOCUMENTS

D323,134 S	*	1/1992	Lechner	D12/96
D394,026 S	*	5/1998	Hellhake et al.	D12/96
D406,552 S	*	3/1999	Hellhake et al.	D12/96
D406,553 S	*	3/1999	Hellhake et al.	D12/96
D423,990 S	*	5/2000	Meryman et al.	D12/96

* cited by examiner

Primary Examiner—Melody N. Brown
(74) *Attorney, Agent, or Firm*—Rader, Fishman & Grauer
PLLC

(57) **CLAIM**

The ornamental design for a truck cab, as shown and described.

DESCRIPTION

FIG. 1 is a front elevational view of a truck cab showing my new design;

FIG. 2 is a fragmentary front perspective view thereof;

FIG. 3 is a rear elevational view thereof;

FIG. 4 is a rear and side perspective view thereof;

FIG. 5 is a front and side perspective view thereof;

FIG. 6 is an opposite side elevational view thereof on a reduced scale;

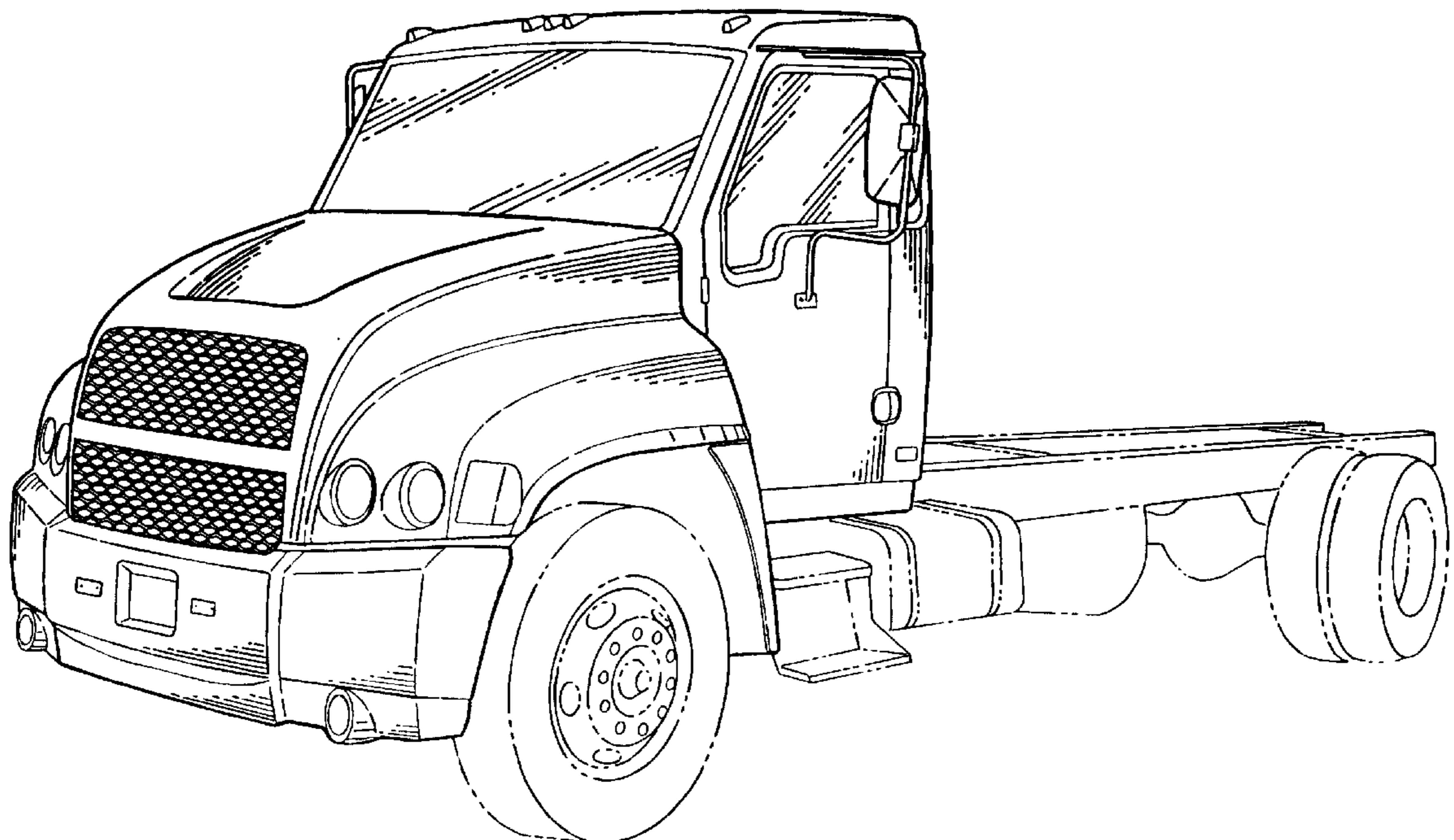
FIG. 7 is a fragmentary opposite side perspective view thereof;

FIG. 8 is a fragmentary portion of the opposite side elevational view thereof; and,

FIG. 9 is a perspective view of the interior portion of the truck cab door.

The broken lines shown in FIGS. 3–9 of the drawings are for illustrative purposes only and form no part of the claimed design.

1 Claim, 9 Drawing Sheets



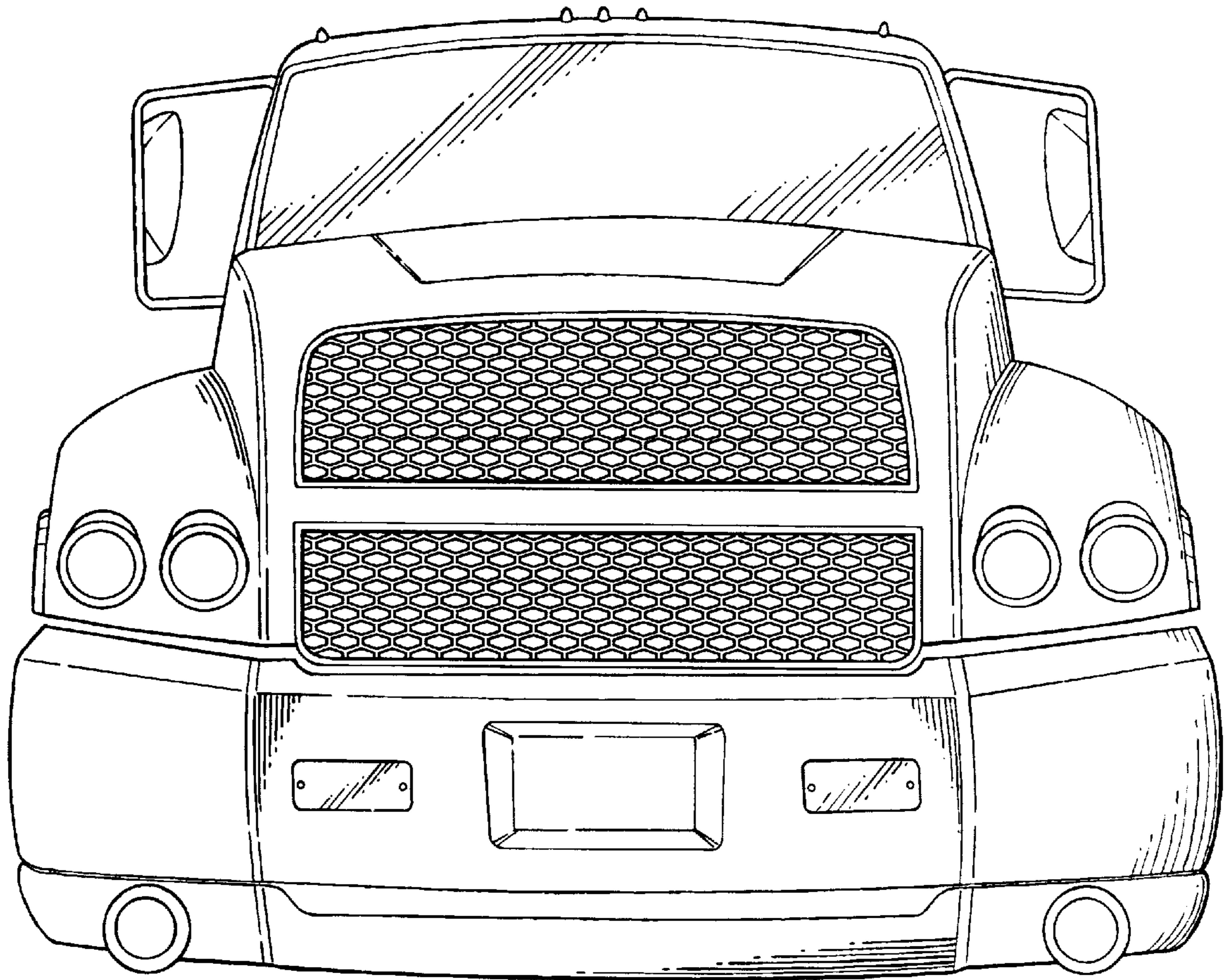


FIG - 1

FIG - 2

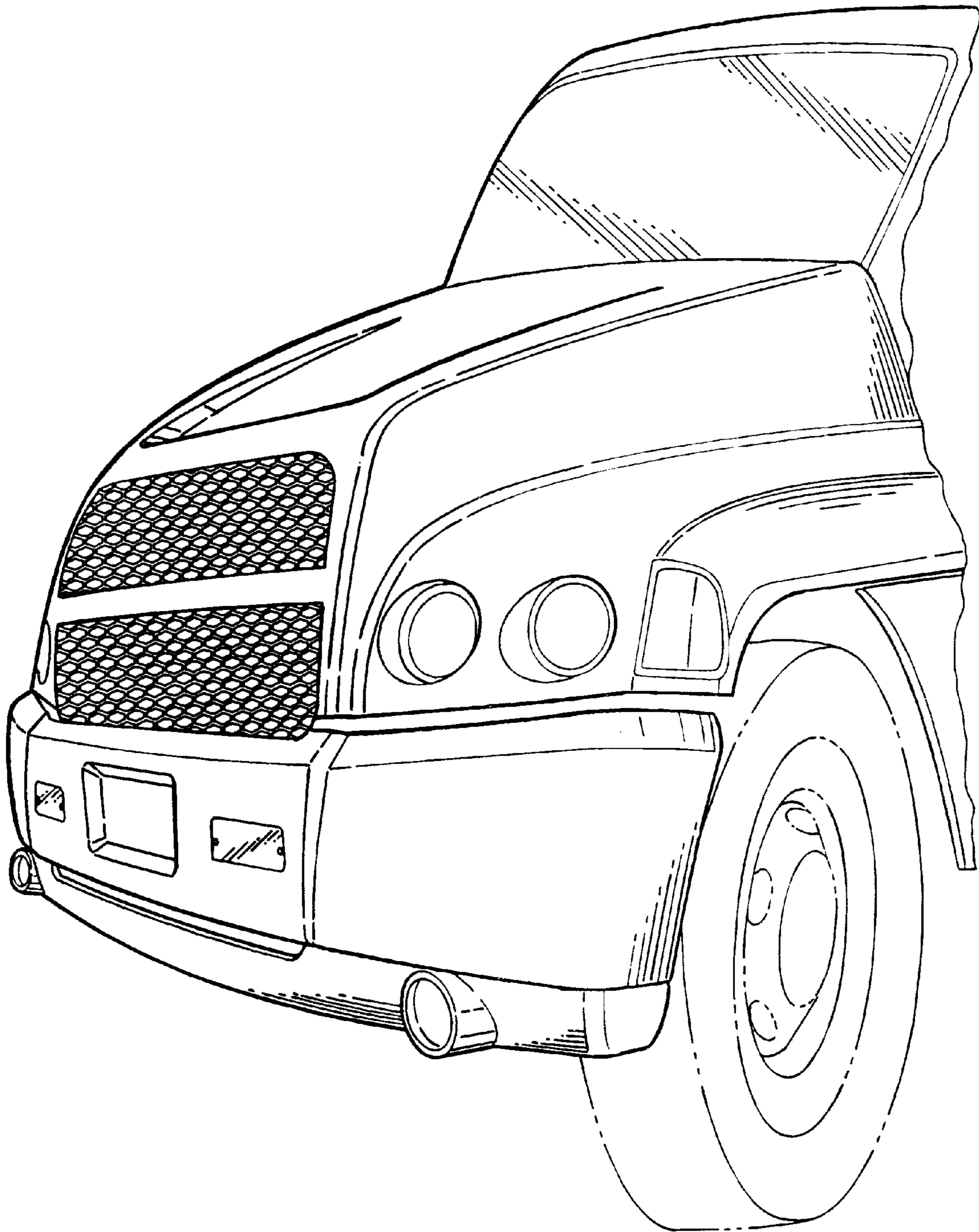
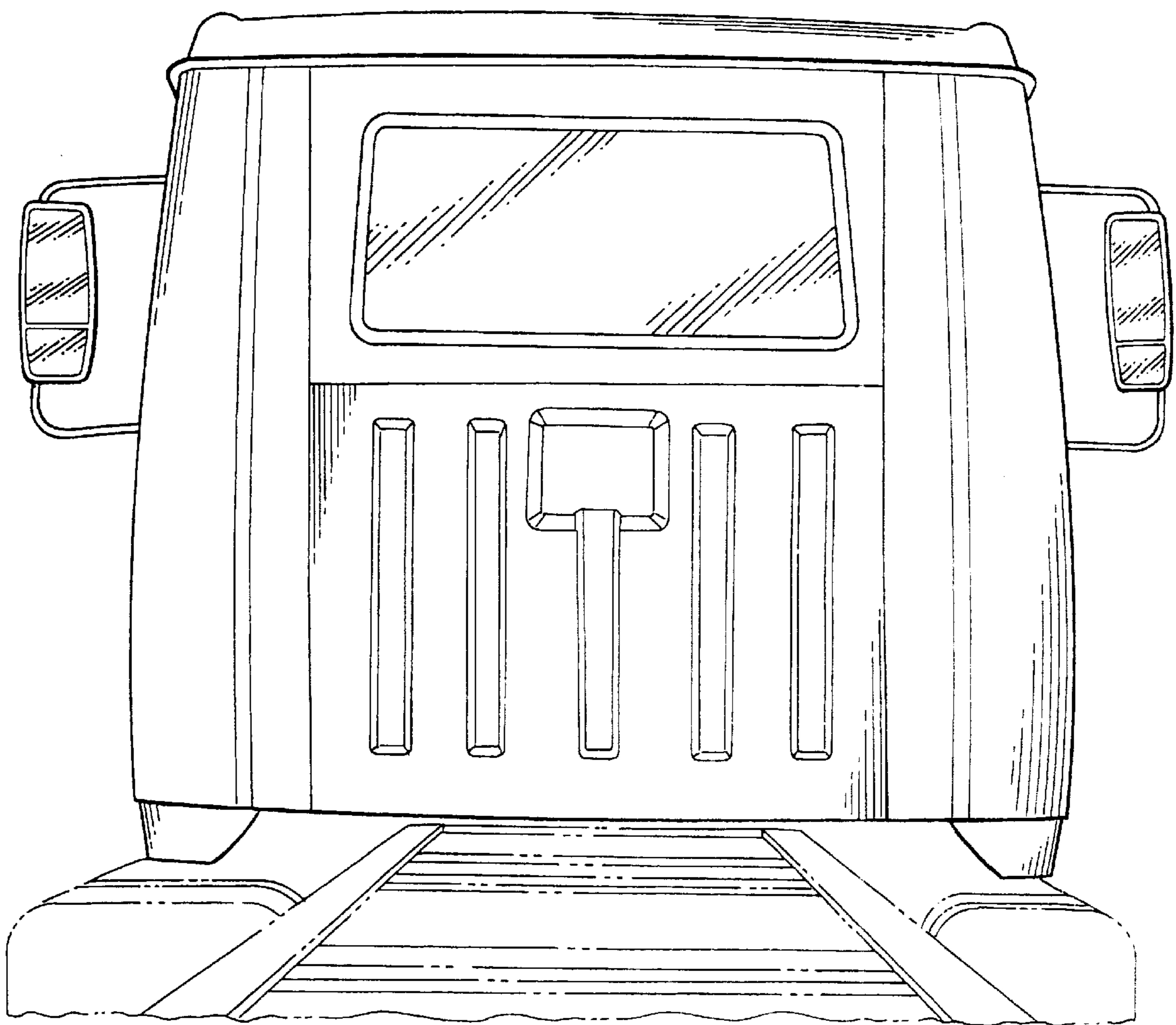


FIG-3



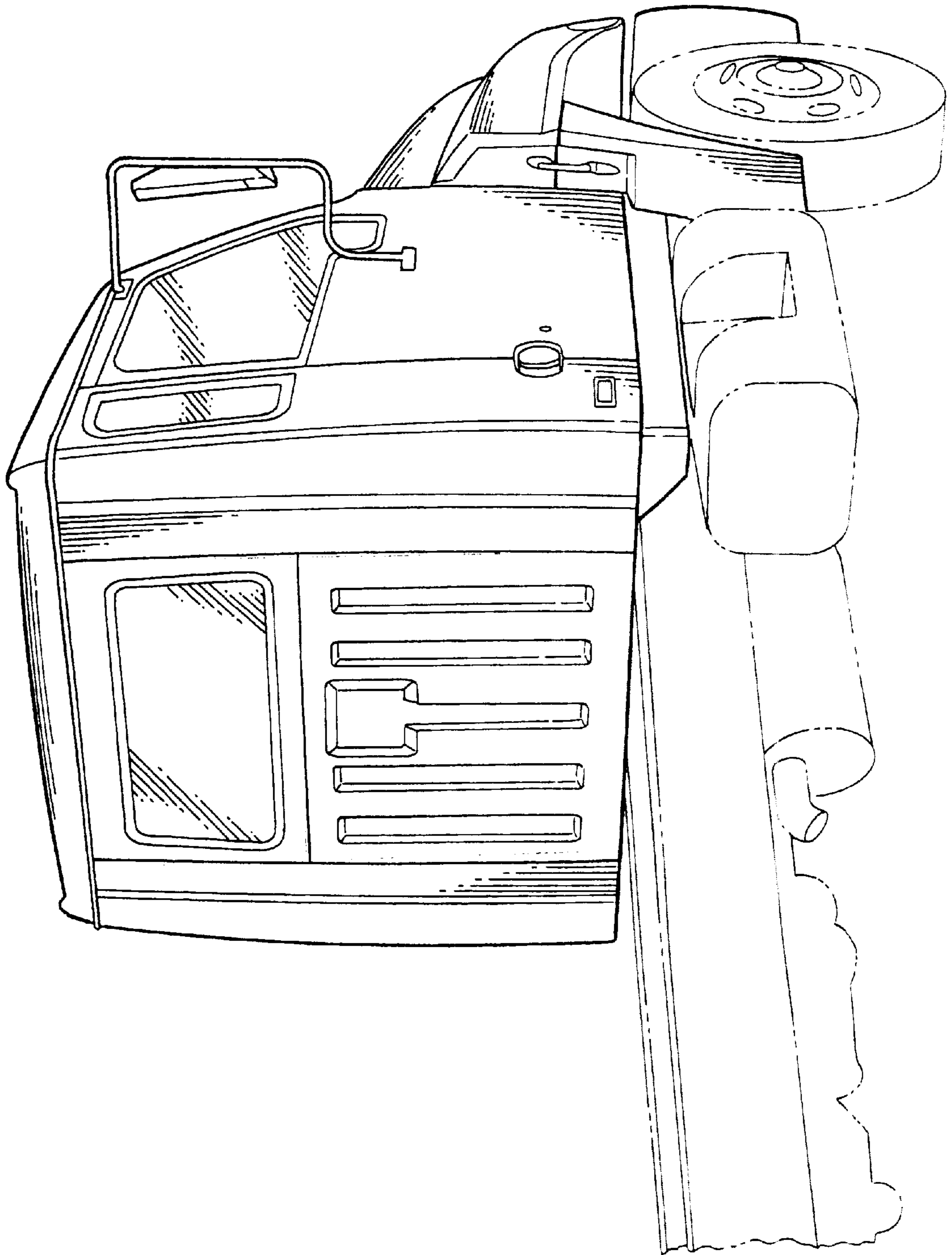


FIG-4

FIG - 5

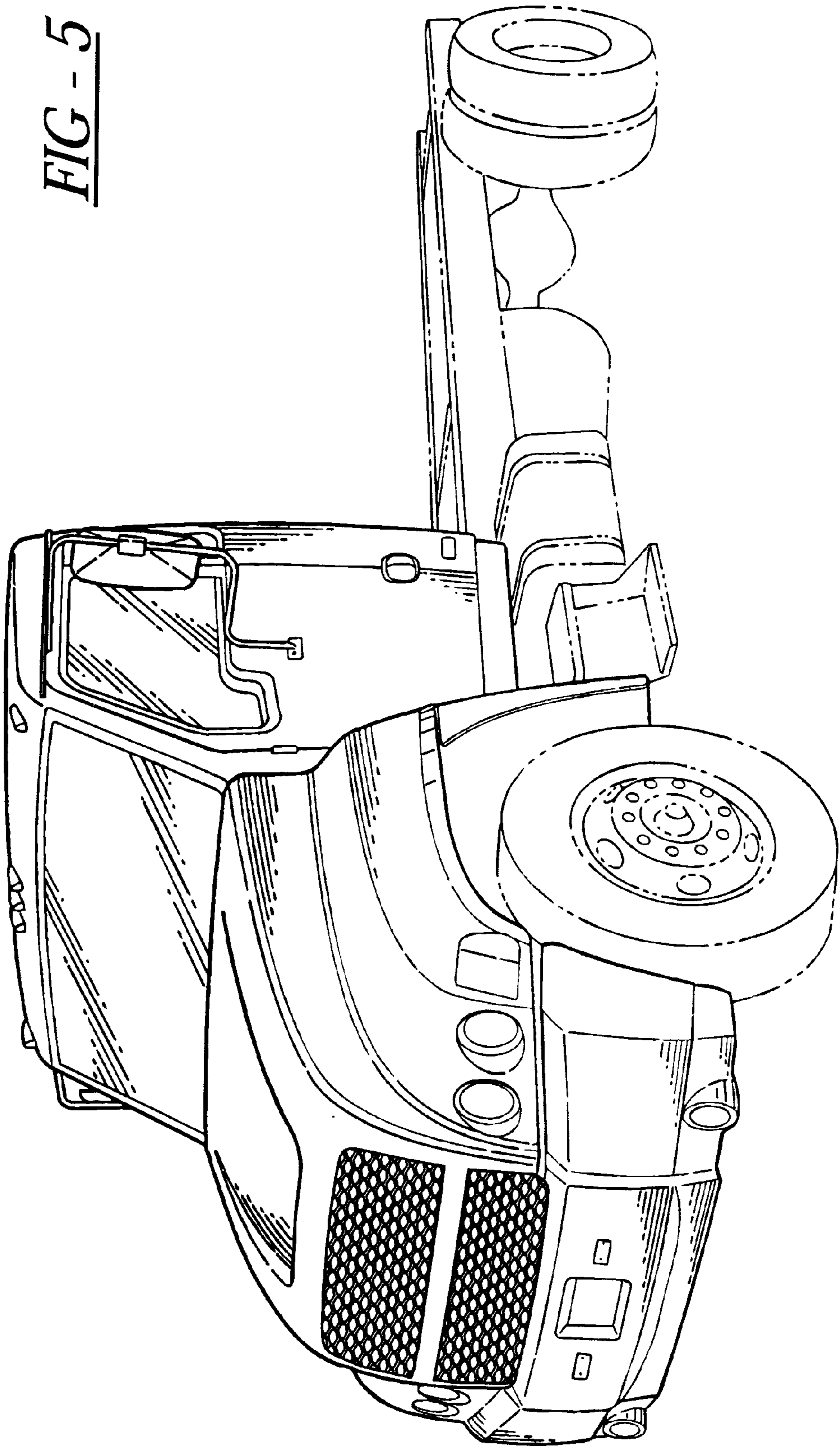


FIG-6

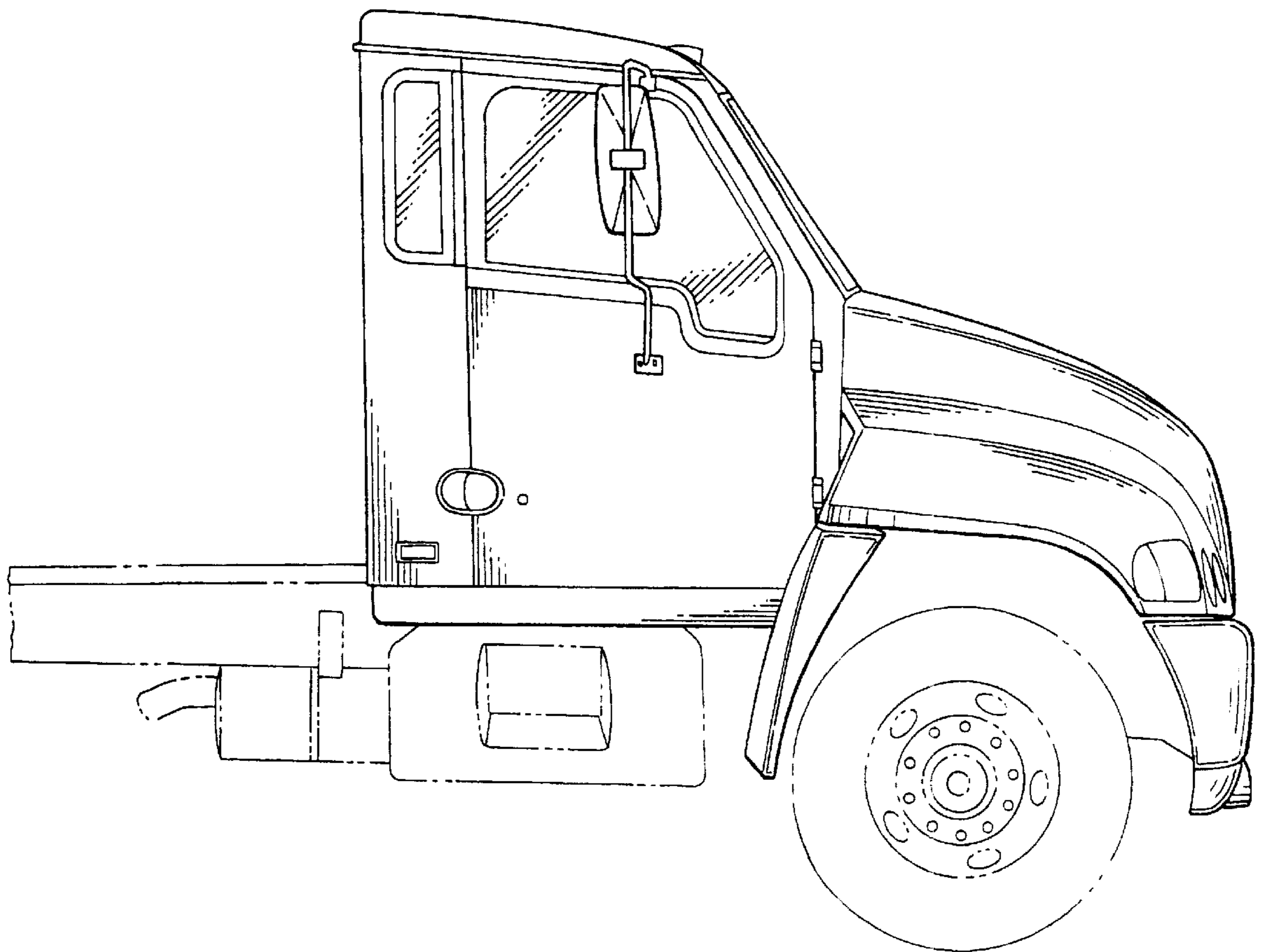


FIG-7

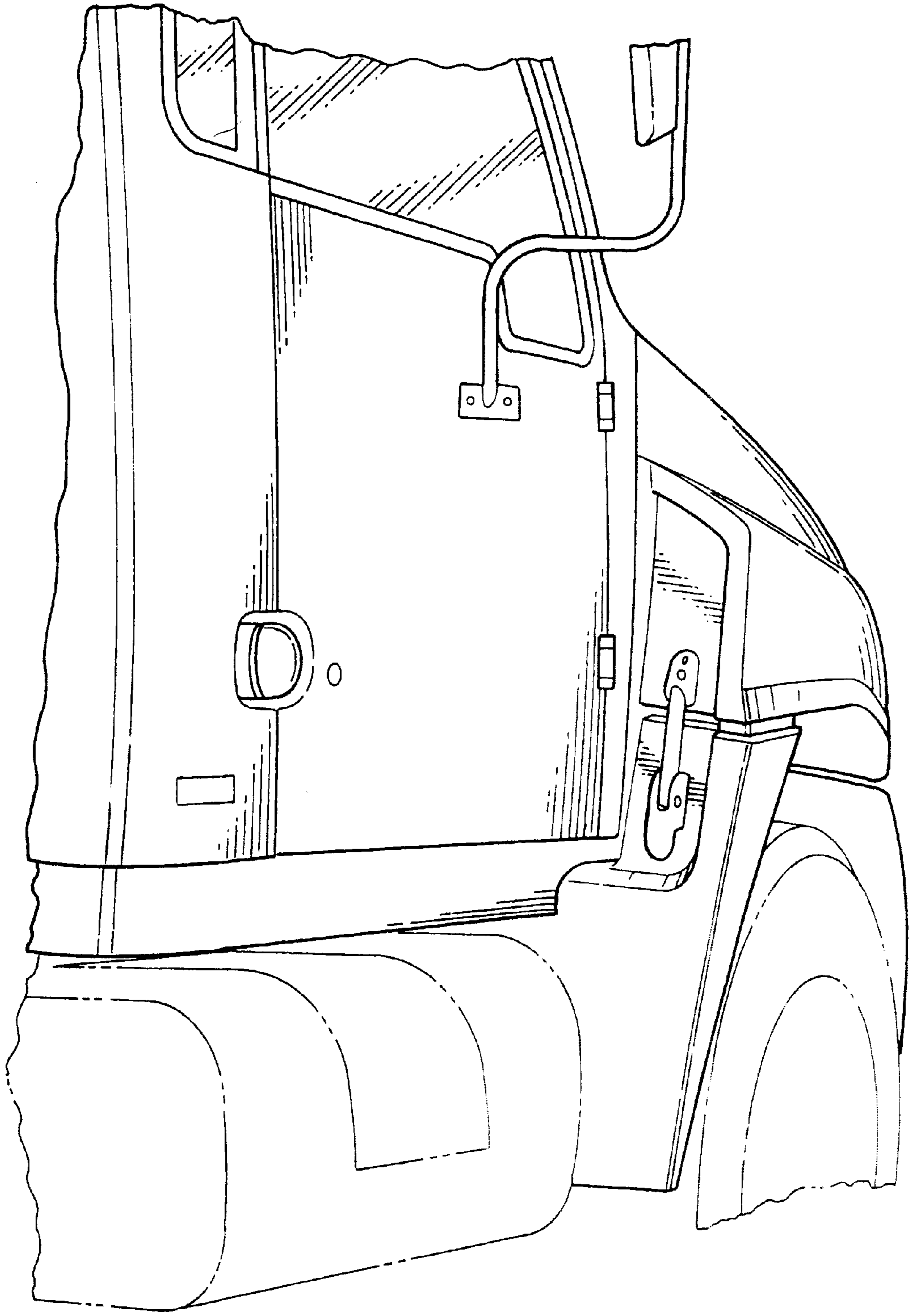


FIG-8

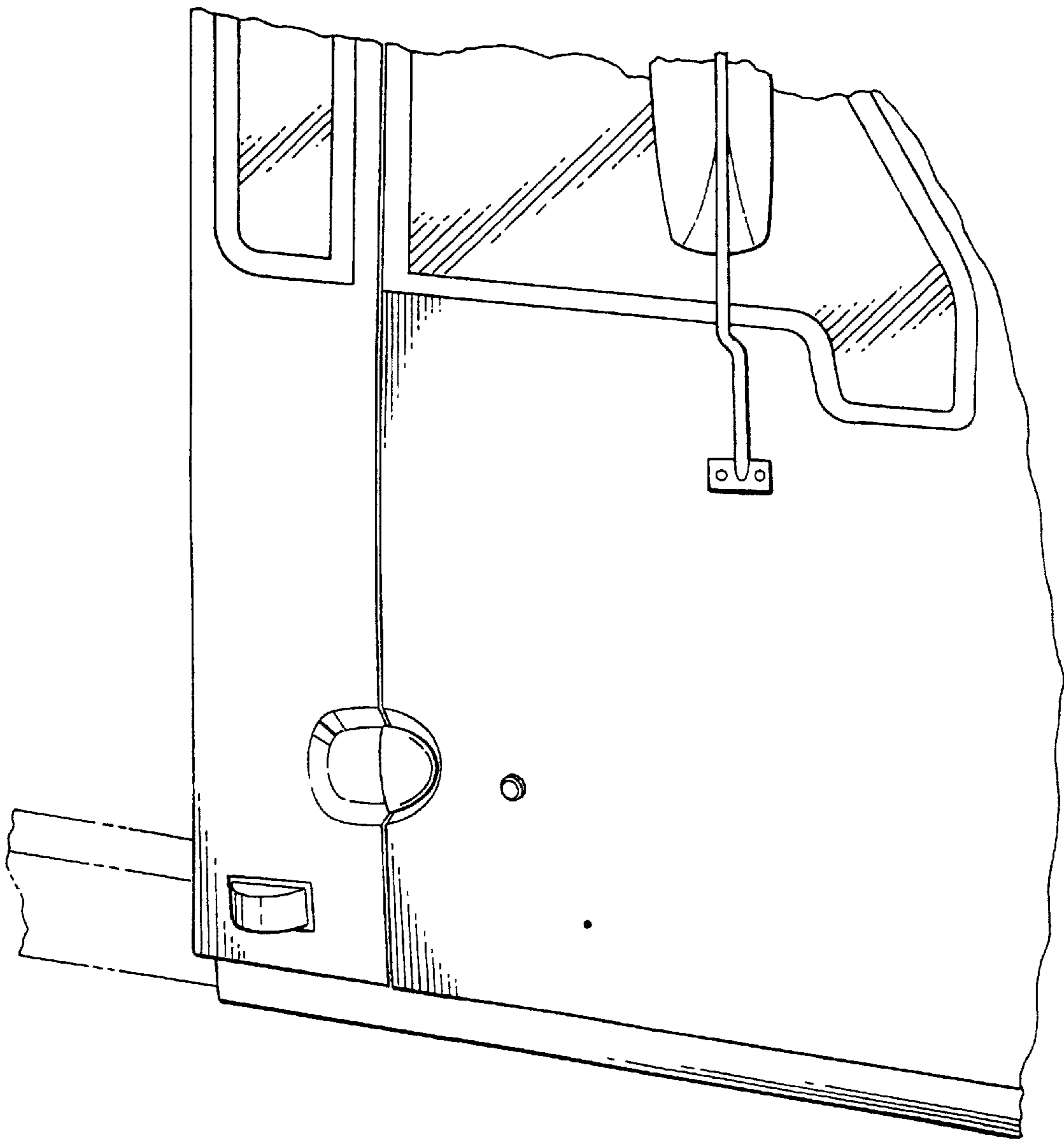


FIG-9

