



US00D467523S

(12) **United States Design Patent** (10) **Patent No.:** **US D467,523 S**
Lin (45) **Date of Patent:** **** Dec. 24, 2002**

(54) **SLIDE**

(76) Inventor: **Yu-Pau Lin**, No. 151, Kung Erh Road,
Wu Lin Tsuen, Lung Tan Hsiang, Tao
Yuan Hsien (TW)

(**) Term: **14 Years**

(21) Appl. No.: **29/152,403**

(22) Filed: **Dec. 21, 2001**

(51) **LOC (7) Cl.** **02-01**

(52) **U.S. Cl.** **D11/221**

(58) **Field of Search** D11/200, 221;
D9/434, 435; 24/415, 419, 421, 427-431,
381; 264/252; 383/5, 64

(56) **References Cited**

U.S. PATENT DOCUMENTS

2,097,475 A * 11/1937 Silberman D11/221
2,176,445 A * 10/1939 L'Amie D11/221
5,007,144 A * 4/1991 Terada et al. 24/415

* cited by examiner

Primary Examiner—Ralf Seifert

(74) *Attorney, Agent, or Firm*—Rosenberg, Klein & Lee

(57) **CLAIM**

The ornamental design for a “slide”, as shown and described.

DESCRIPTION

FIG. 1 is the perspective view of a “slide” showing my new design;

FIG. 2 is the front view thereof;

FIG. 3 is the rear view thereof;

FIG. 4 is the left side view thereof;

FIG. 5 is the right side view thereof;

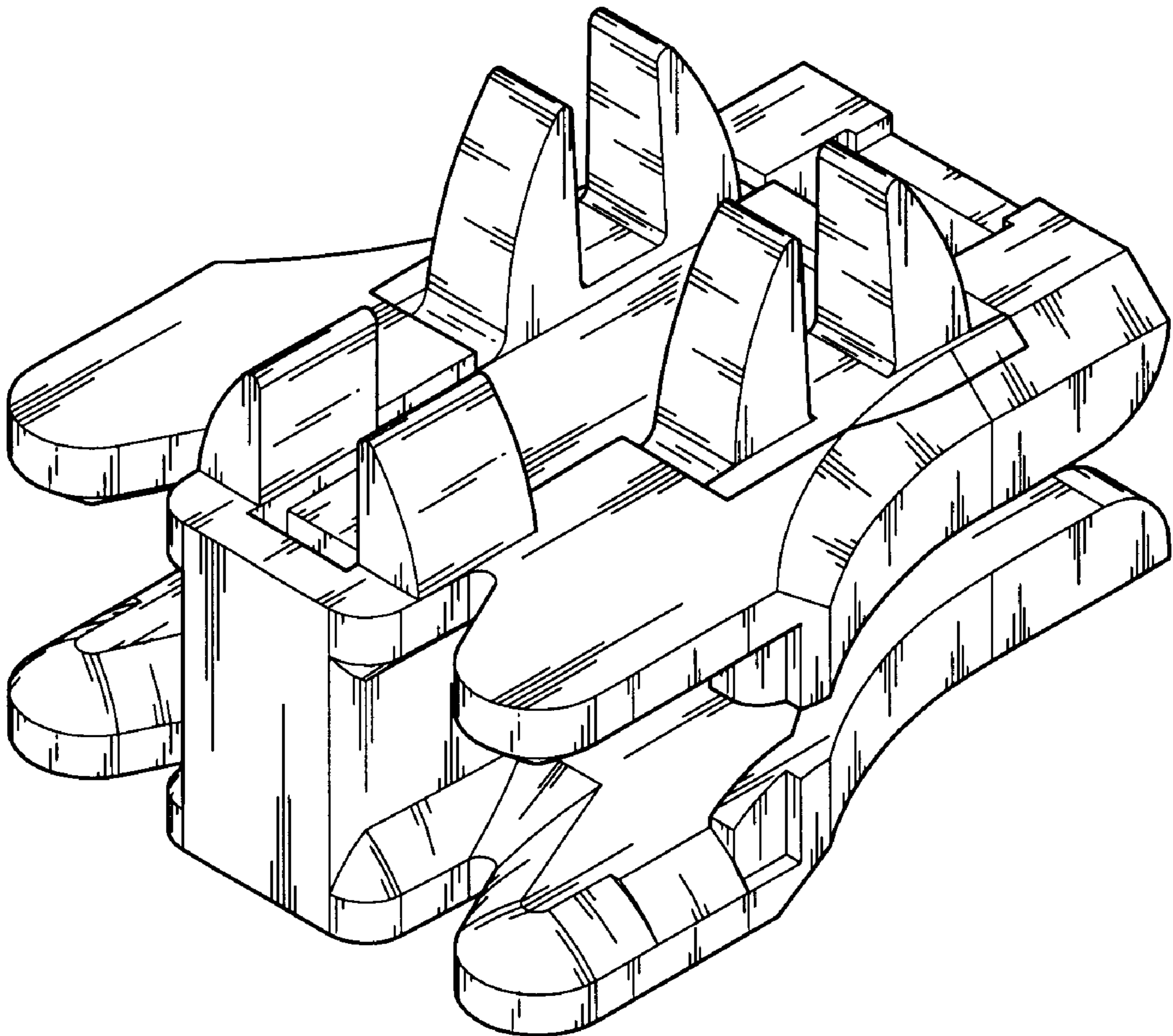
FIG. 6 is the top view thereof;

FIG. 7 is the bottom view thereof; and,

FIG. 8 is the perspective view showing the practical usage thereof.

It being understood that the broken lines are for illustrative purposes only.

1 Claim, 5 Drawing Sheets



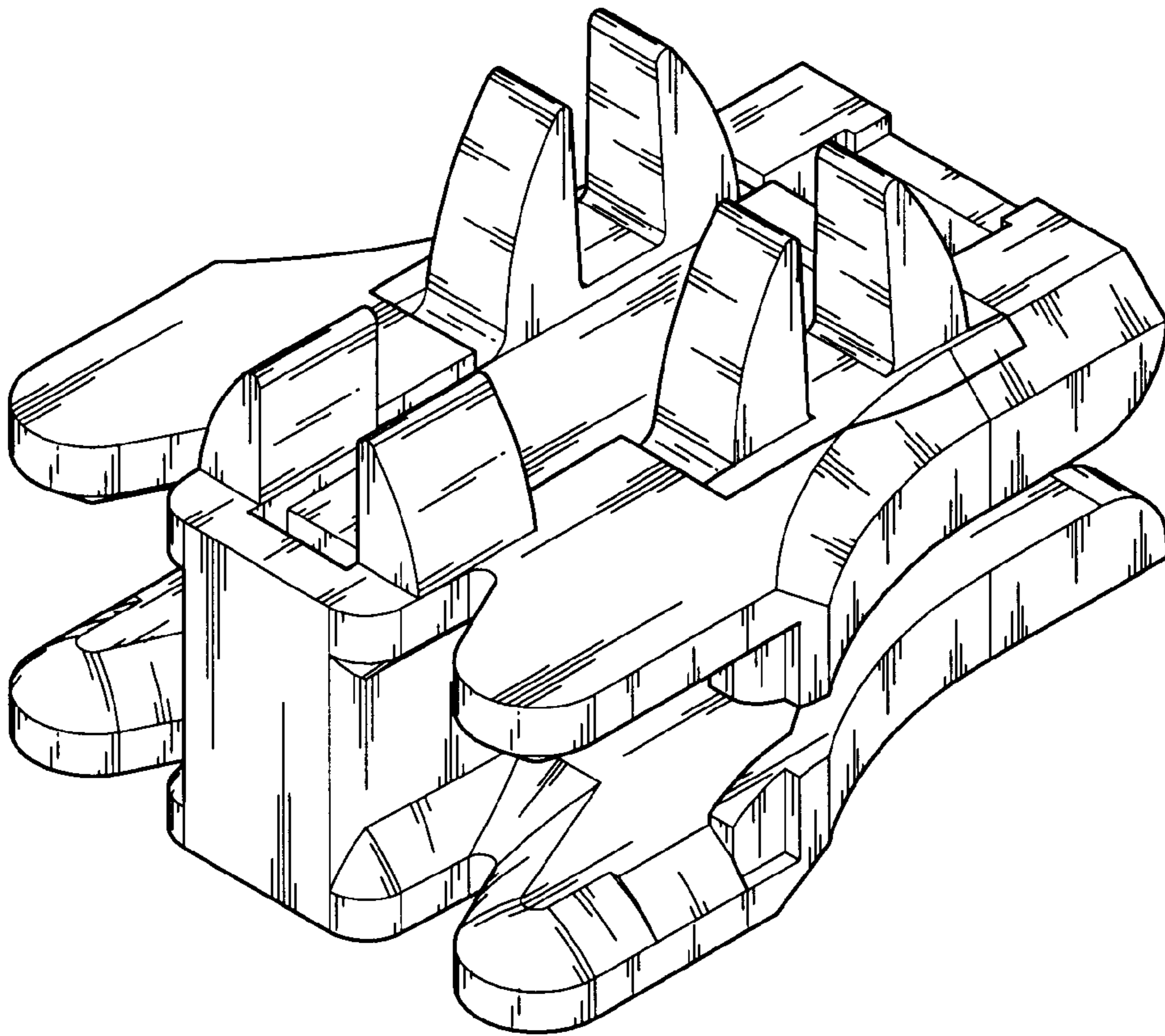


FIG. 1

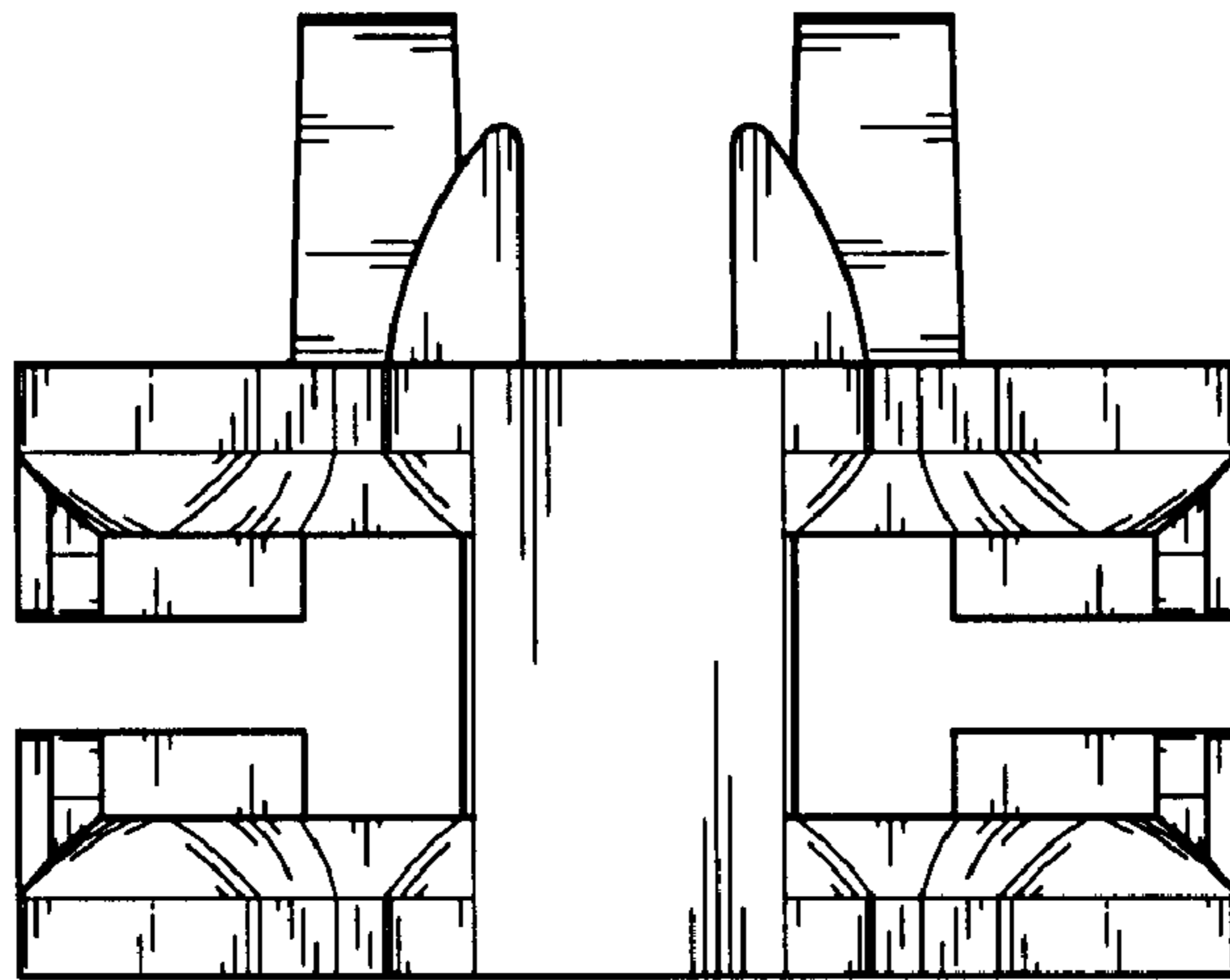


FIG. 2

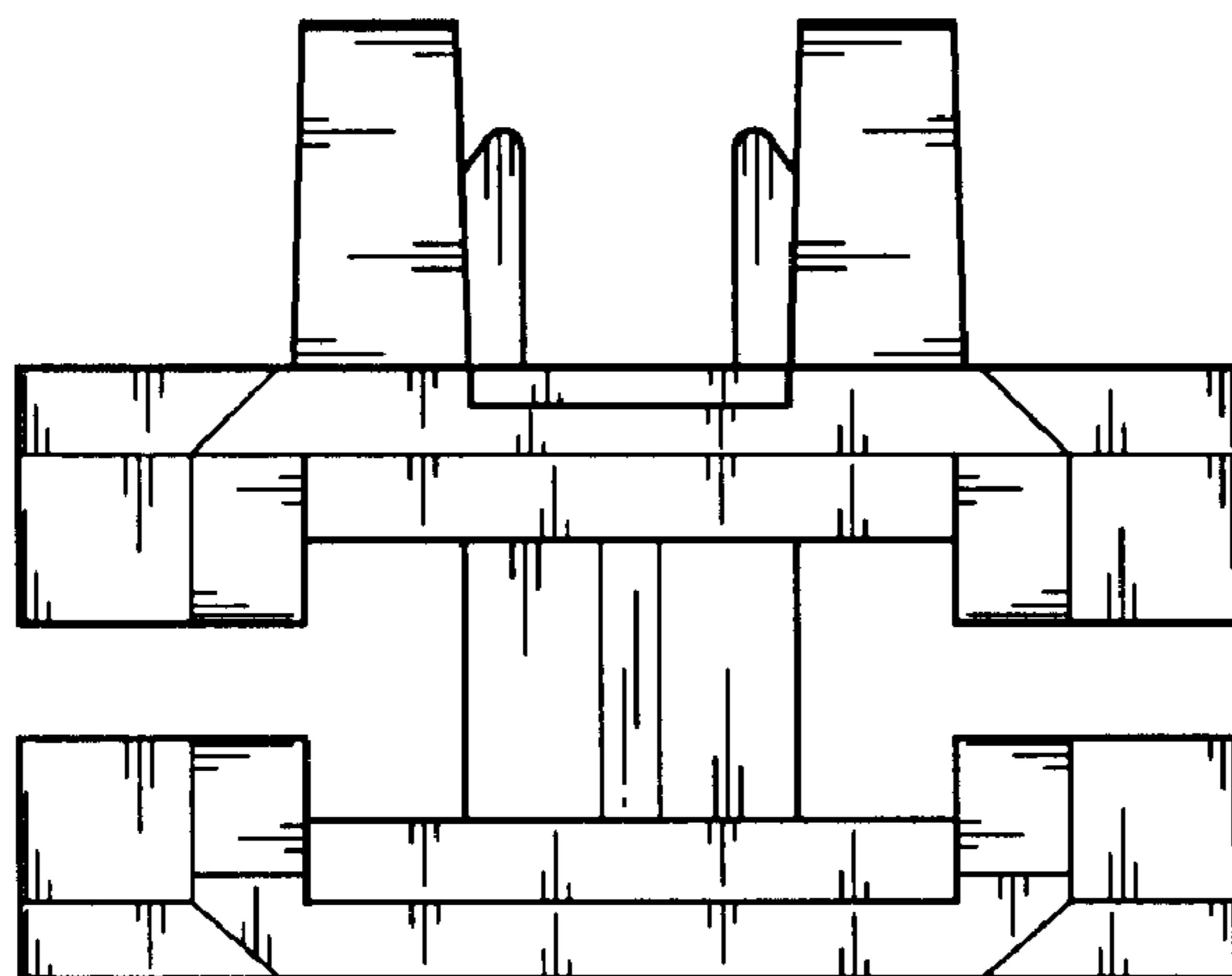


FIG. 3

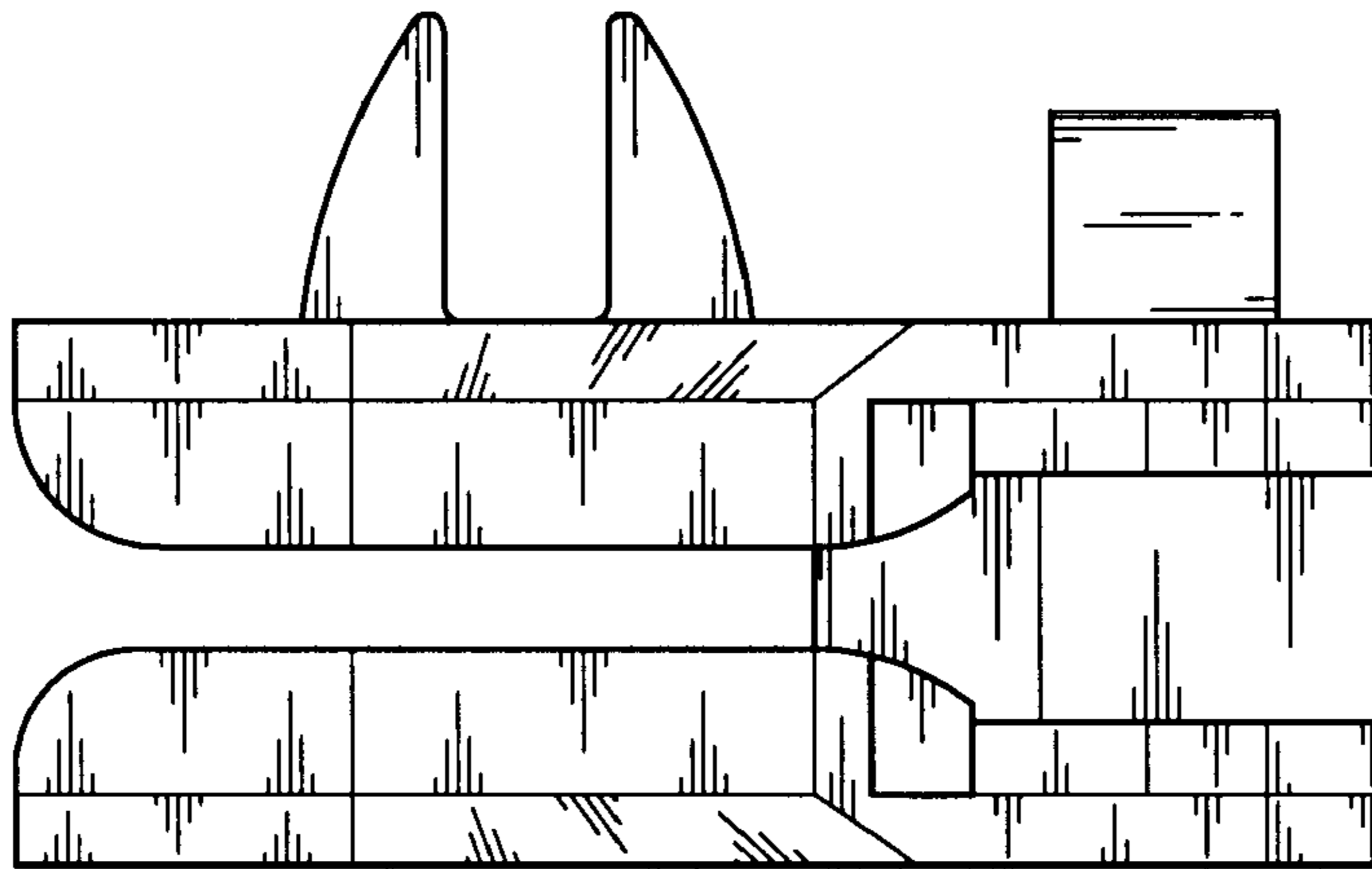


FIG. 4

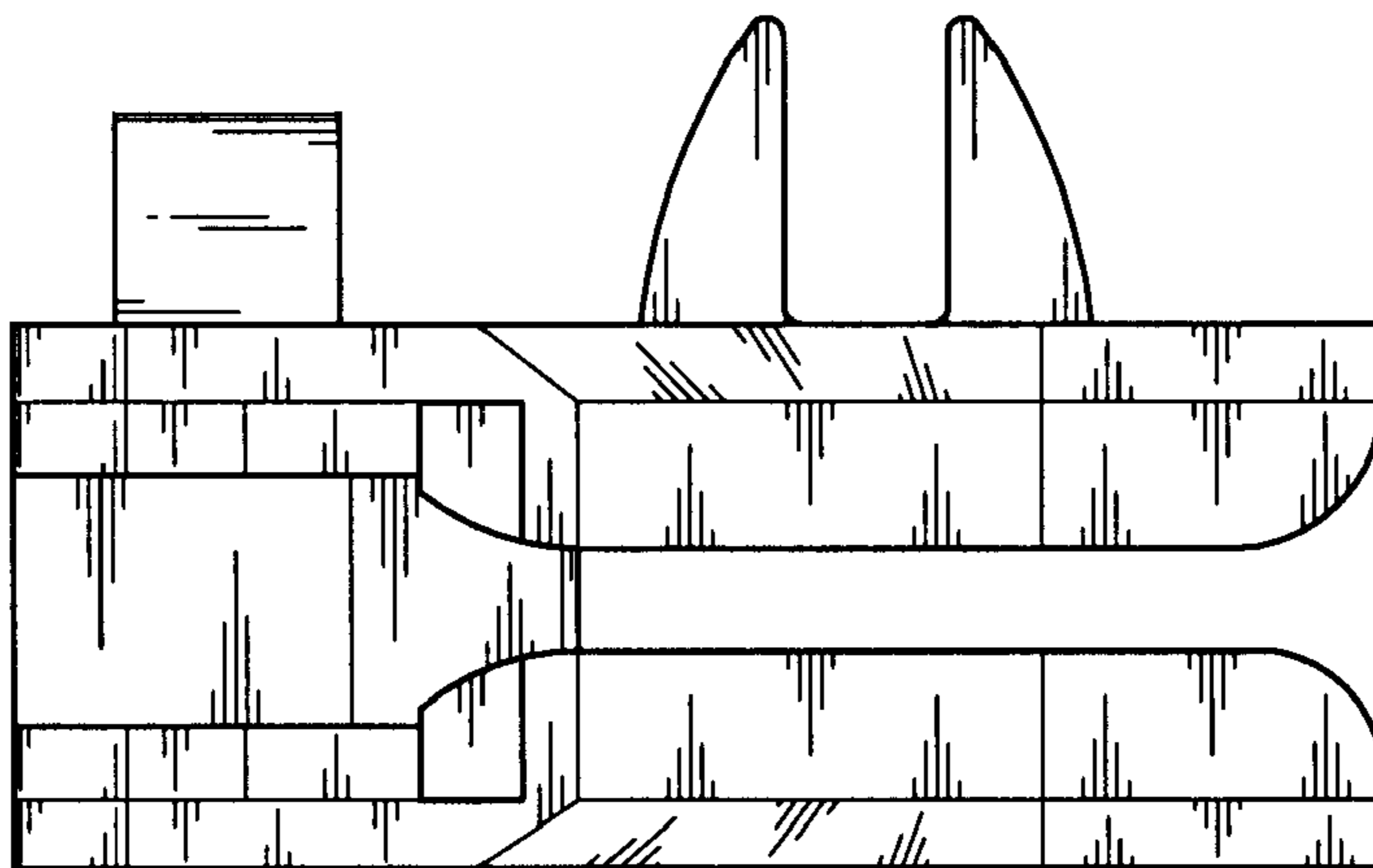


FIG. 5

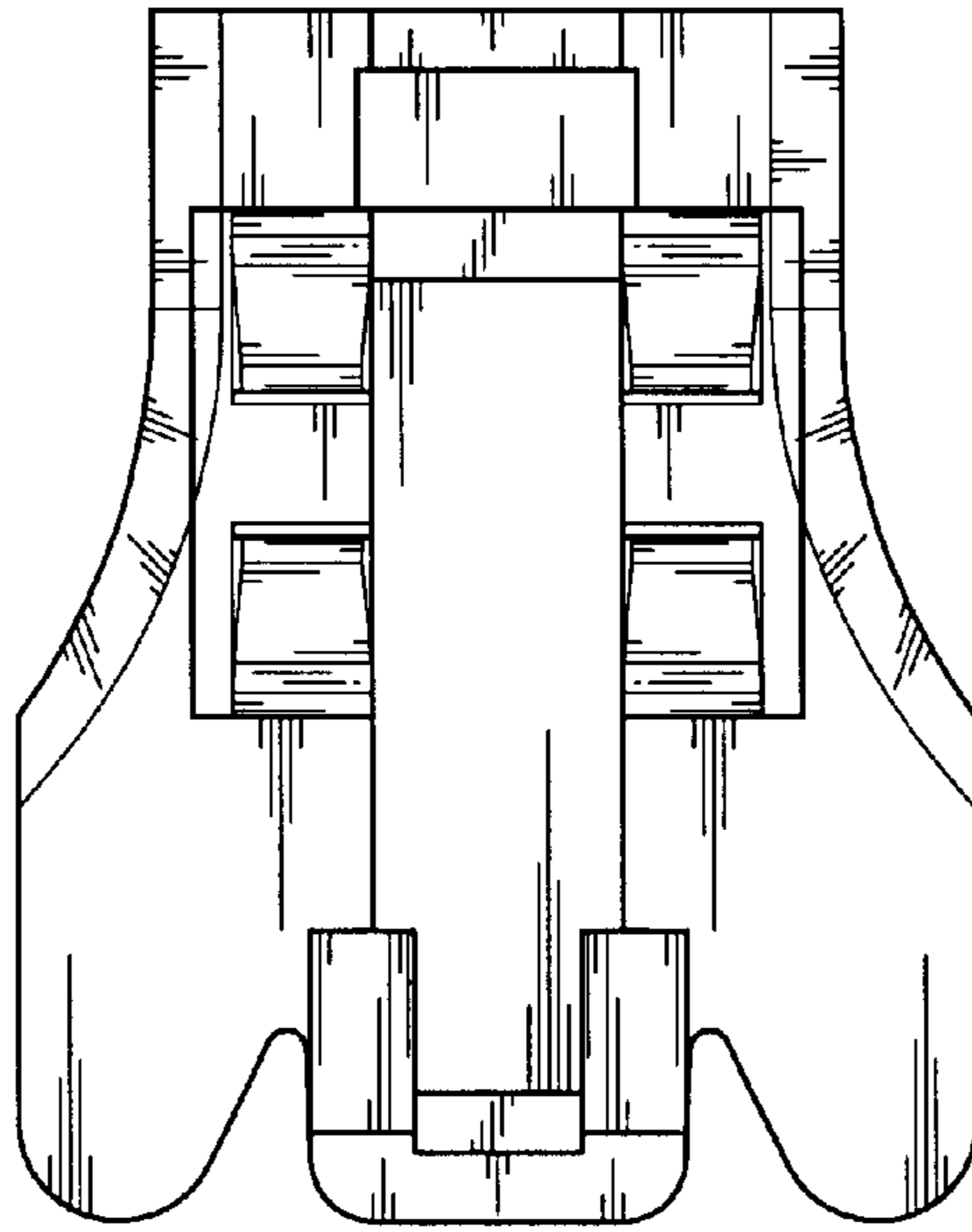


FIG. 6

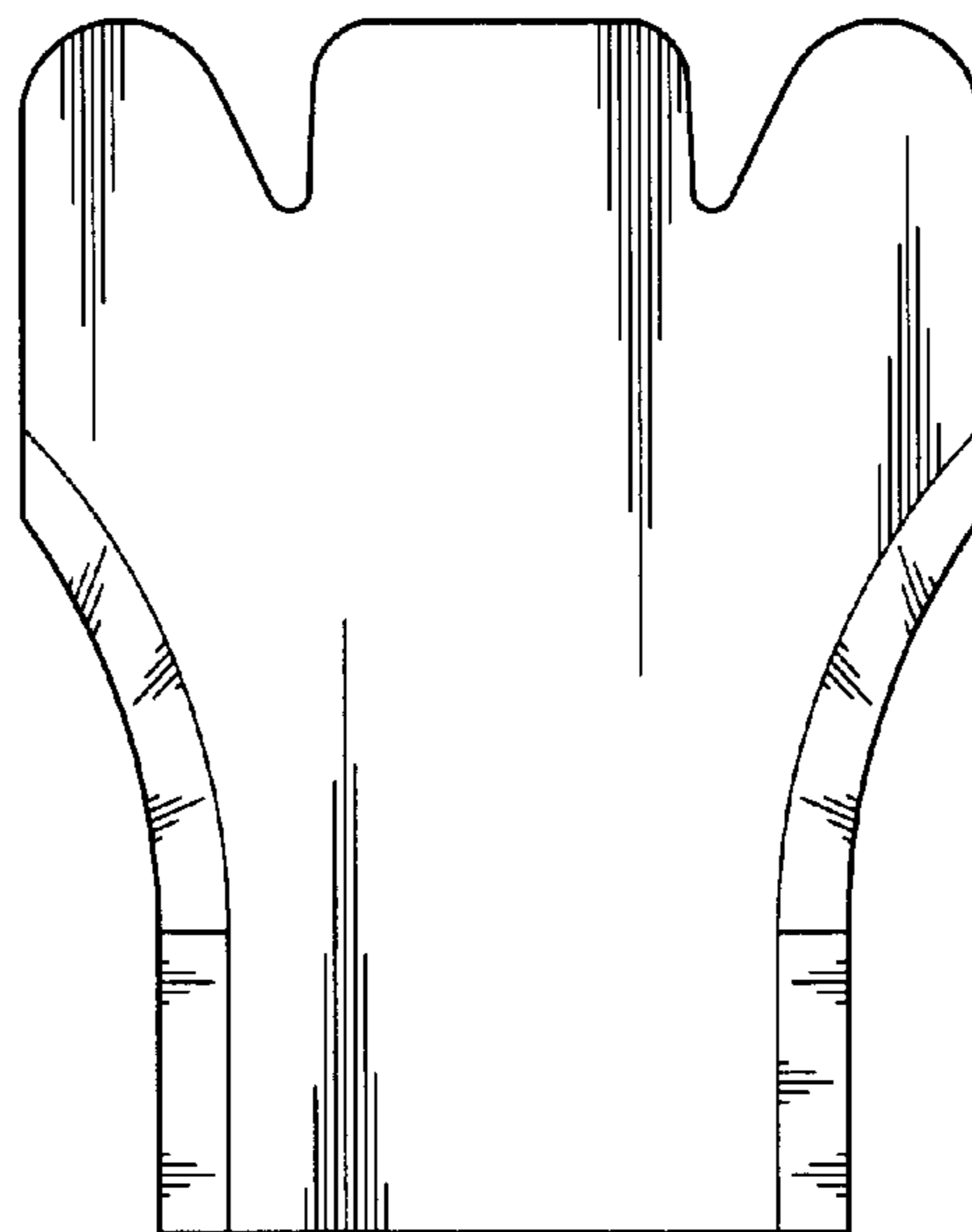


FIG. 7

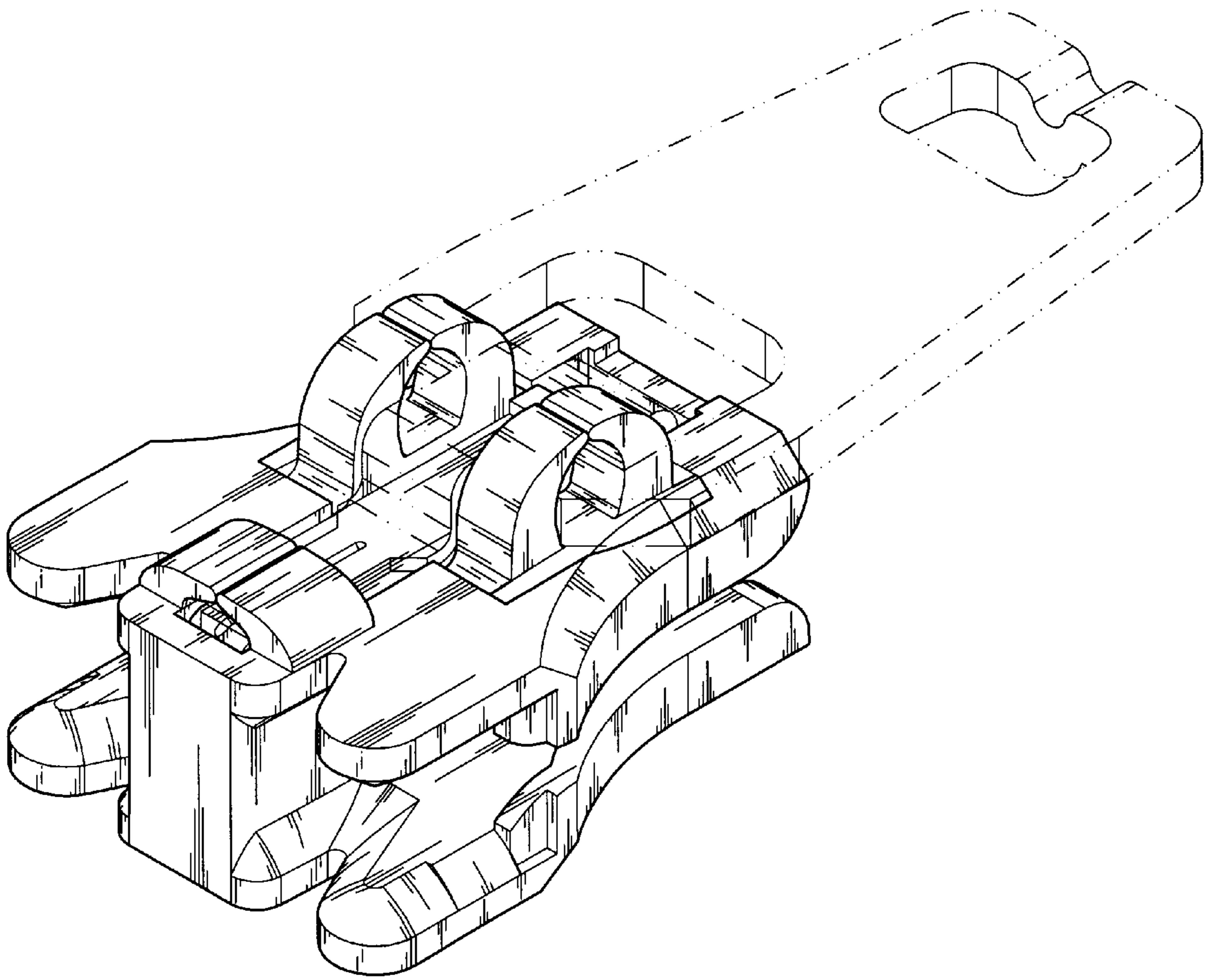


FIG. 8