



US00D467513S

(12) **United States Design Patent**
Neff

(10) **Patent No.:** **US D467,513 S**

(45) **Date of Patent:** **** Dec. 24, 2002**

(54) **SAFETY CONE FOR WARNING OF SLIPPERY CONDITIONS**

Primary Examiner—Antoine Duval Davis
(74) *Attorney, Agent, or Firm*—Leydig, Voit & Mayer, Ltd.

(76) **Inventor:** **Charles E. Neff**, 2960 Acorn,
Bloomfield Hills, MI (US) 48302

(57) **CLAIM**

The ornamental design for a safety cone for warning of slippery conditions, substantially as shown and described.

(**) **Term:** **14 Years**

DESCRIPTION

(21) **Appl. No.:** **29/152,418**

FIG. 1 is a perspective view of a safety cone to warn of slippery conditions showing my new design;

(22) **Filed:** **Dec. 14, 2001**

FIG. 2 is a front elevational view of the safety cone of FIG. 1;

(51) **LOC (7) Cl.** **10-05**

(52) **U.S. Cl.** **D10/113**

(58) **Field of Search** D10/109, 113;
116/63 C, 63 P; 404/9, 10-14

FIG. 3 is a top plan view of the safety cone of FIG. 1;

FIG. 4 is a bottom plan view of the safety cone of FIG. 1;

FIG. 5 is a right side elevational view of the safety cone of FIG. 1;

FIG. 6 is a left side elevational view of the safety cone of FIG. 1; and,

FIG. 7 is a rear elevational view of the safety cone of FIG. 1.

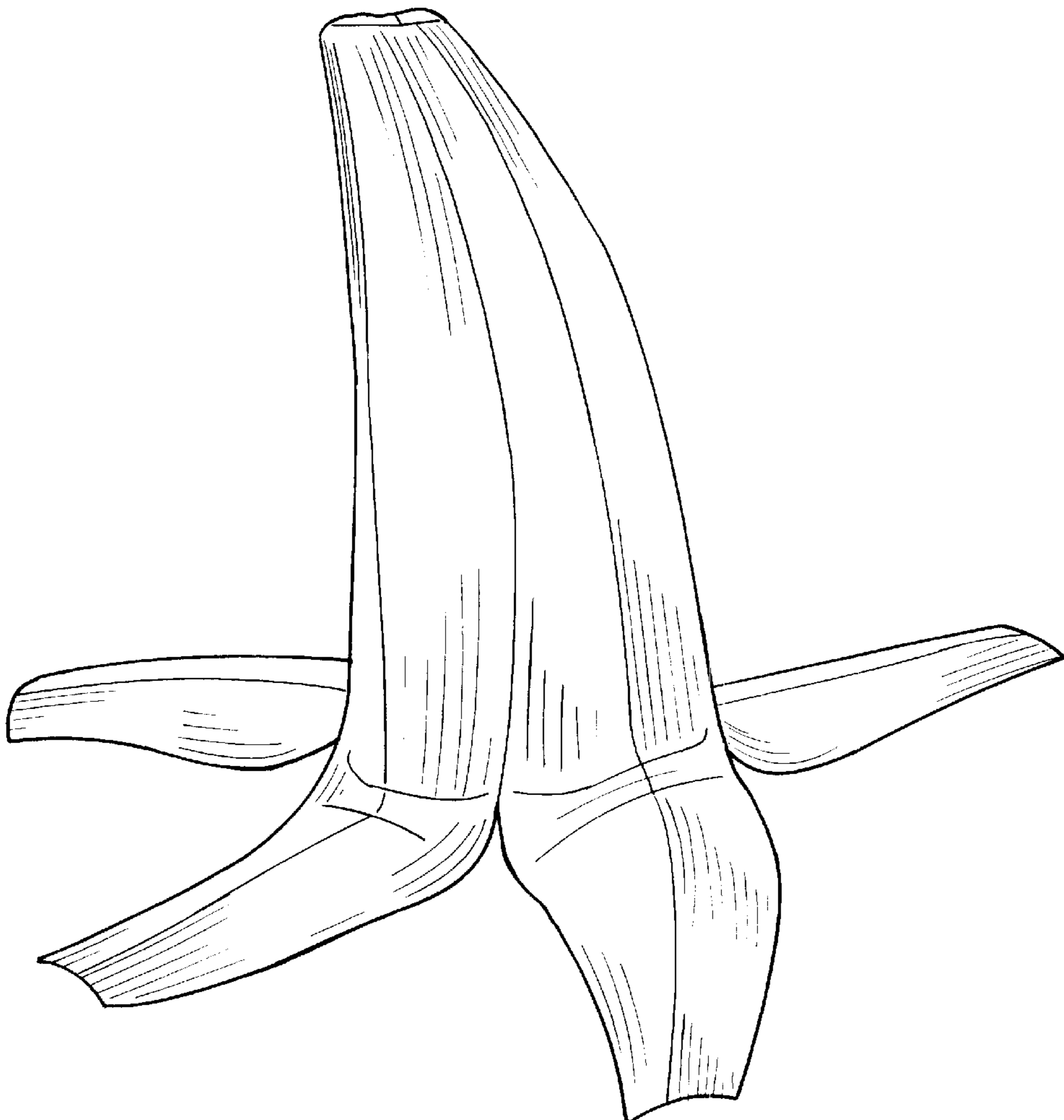
(56) **References Cited**

U.S. PATENT DOCUMENTS

- 3,635,542 A * 1/1972 Parduhn 116/63 P X
- 3,911,854 A * 10/1975 Manuel 116/63 P
- D400,814 S * 11/1998 Sheng D10/113

* cited by examiner

1 Claim, 4 Drawing Sheets



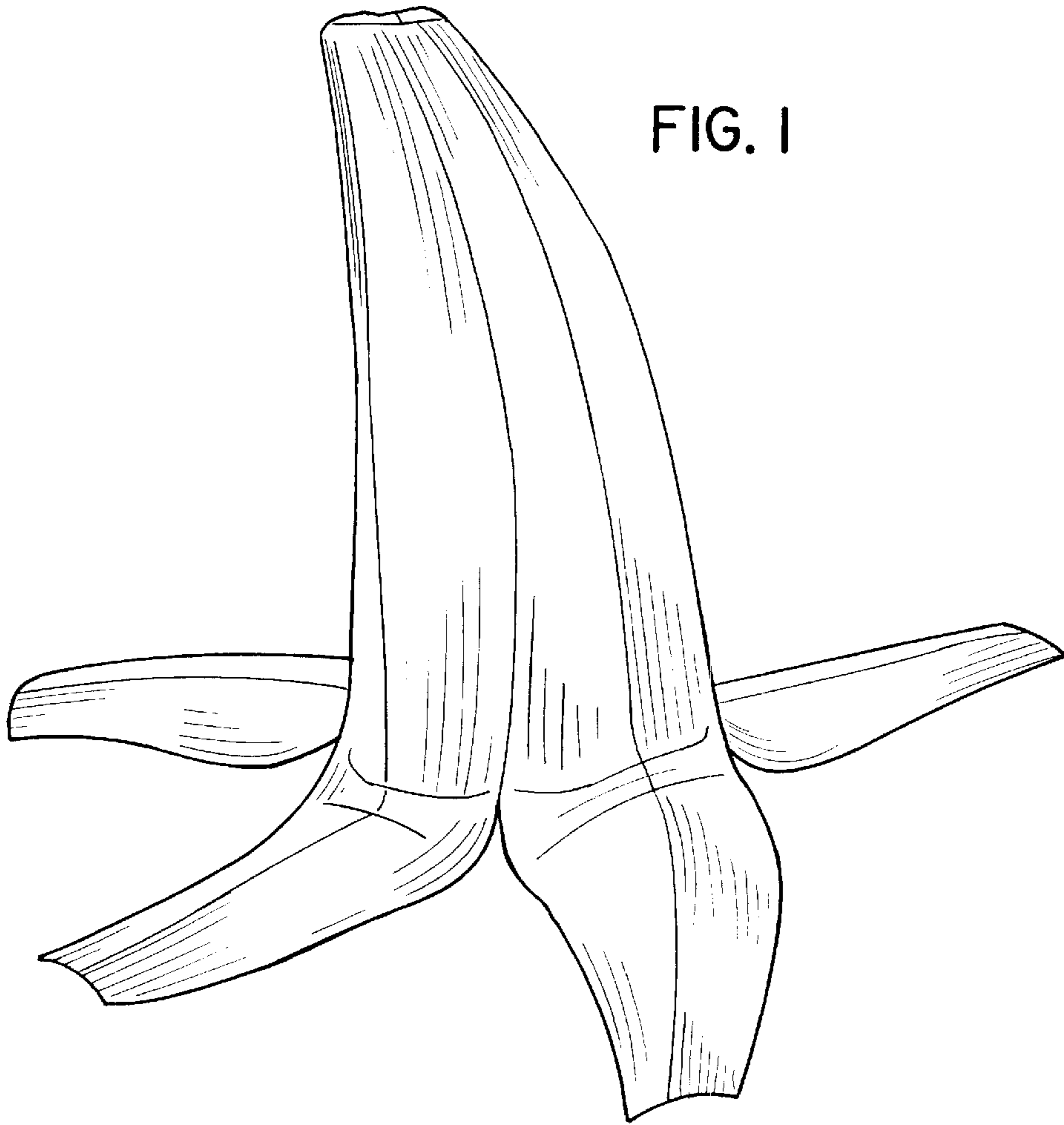


FIG. 1

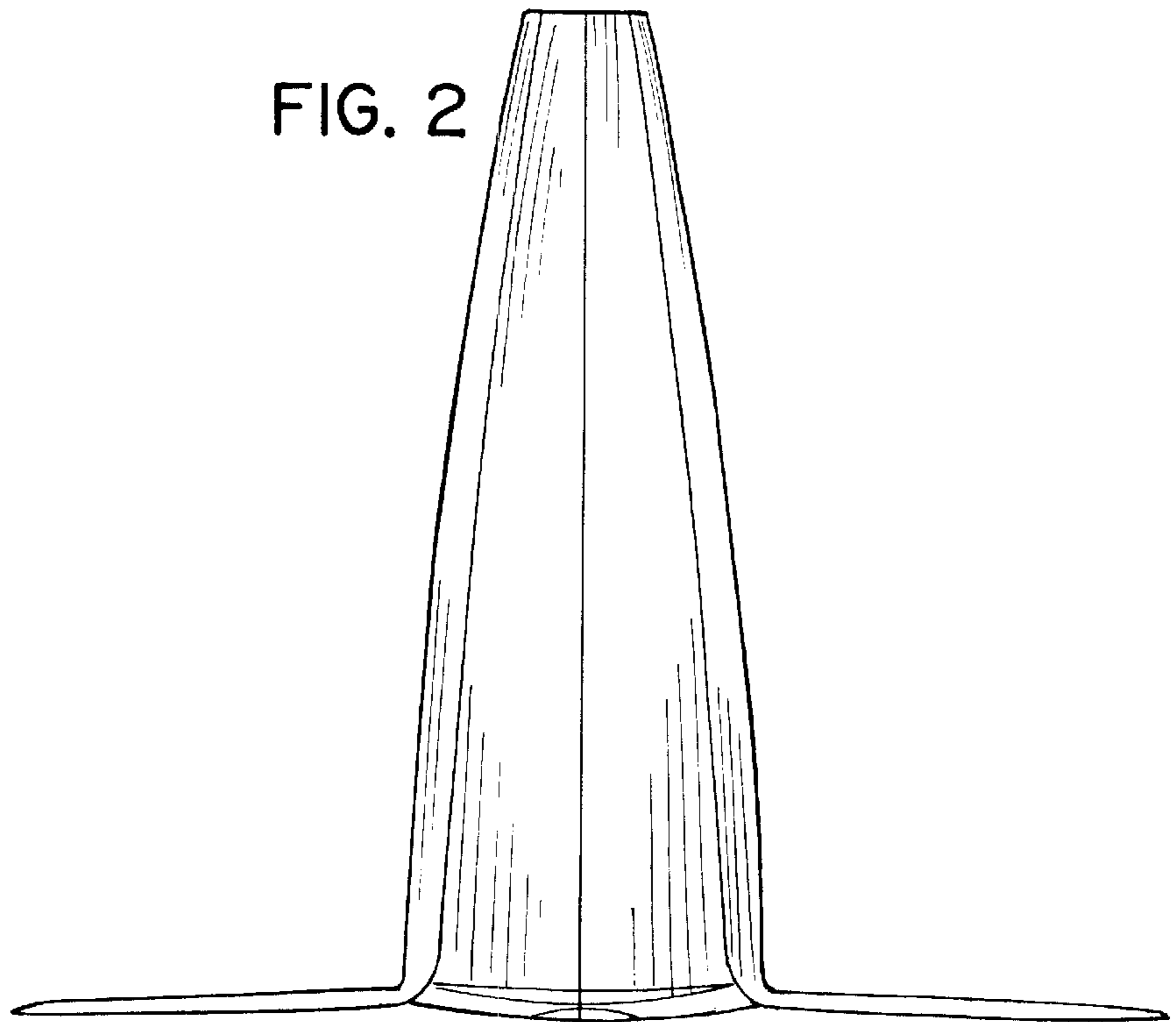


FIG. 2

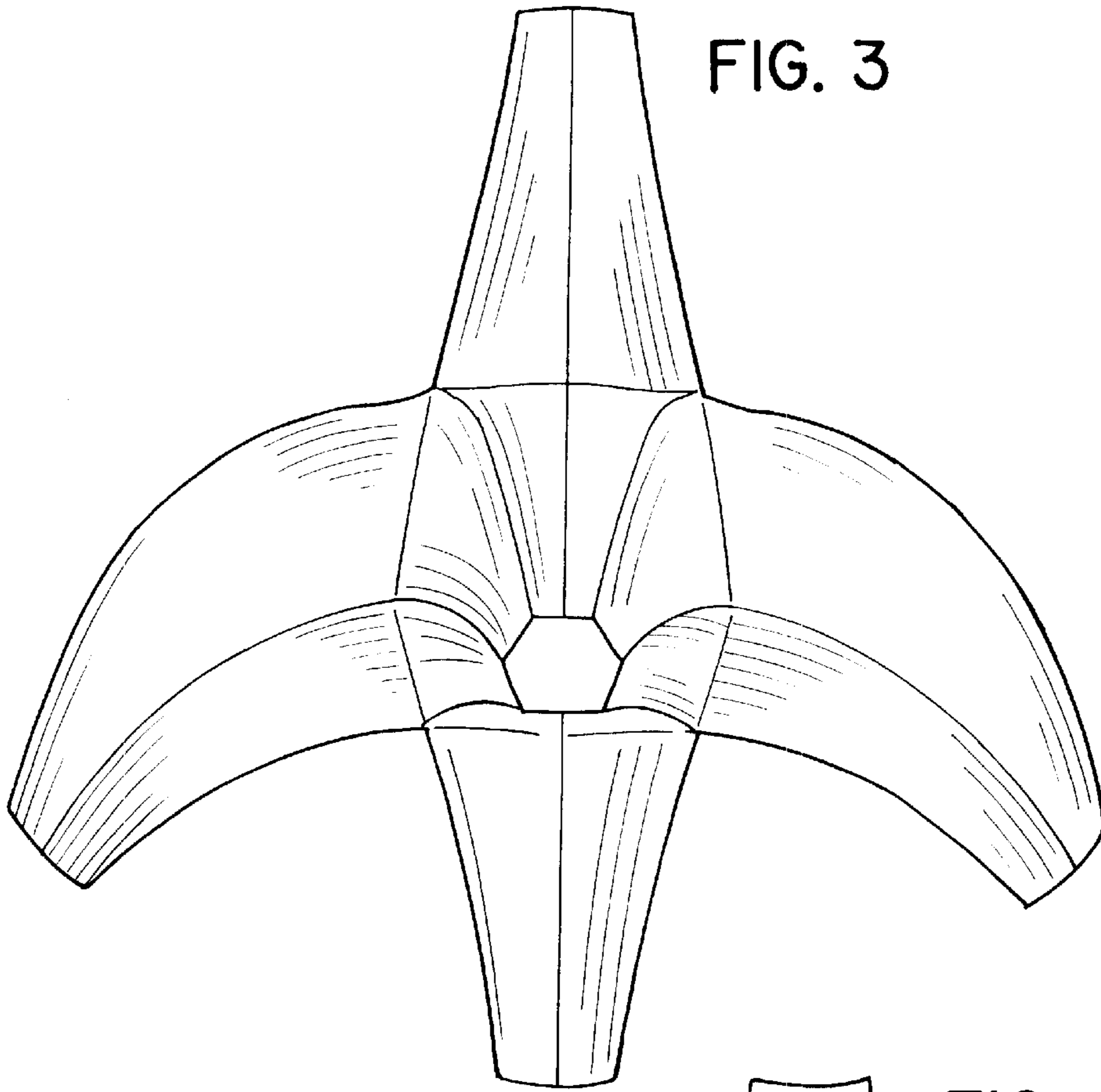


FIG. 3

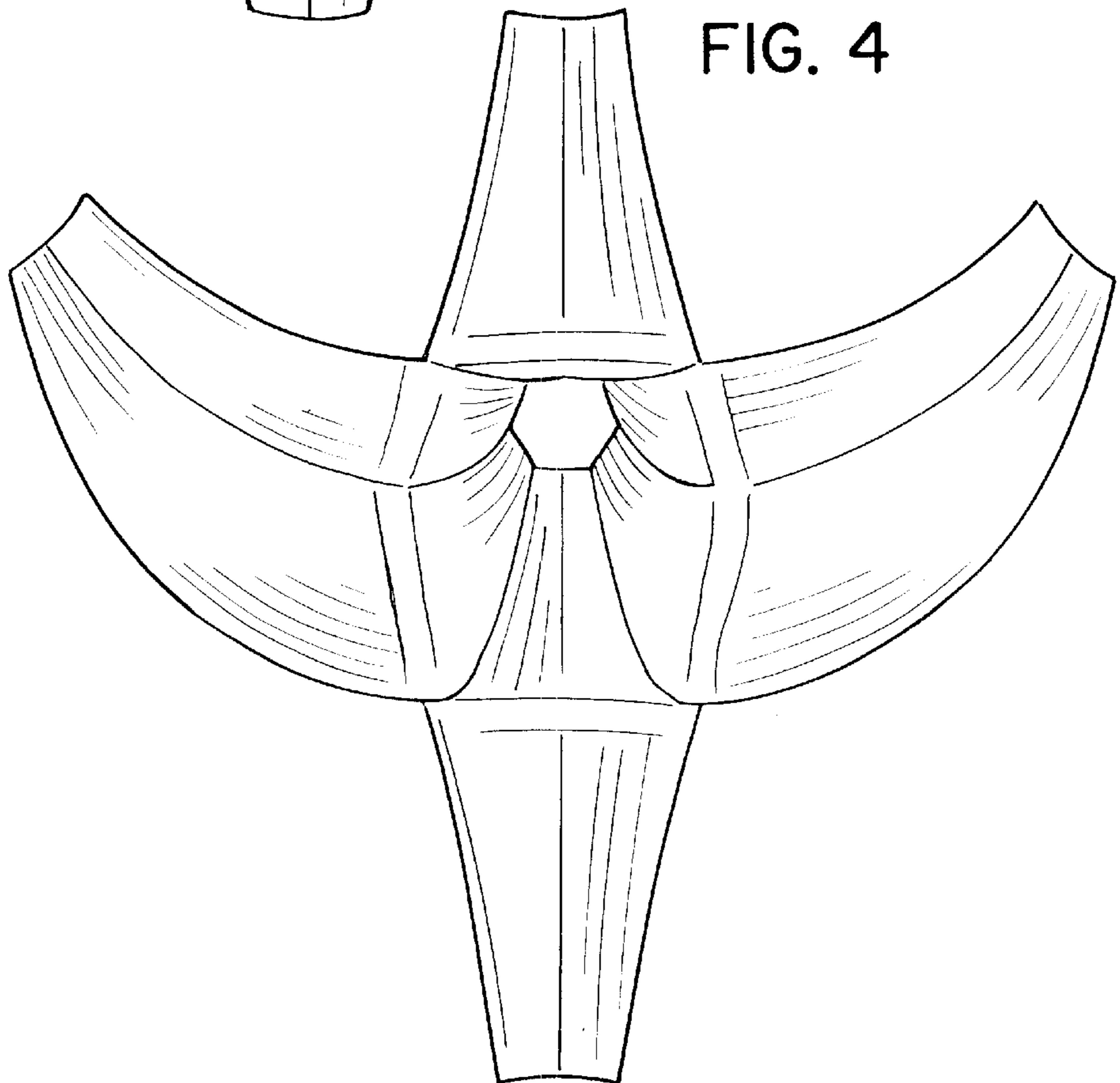


FIG. 4

FIG. 5

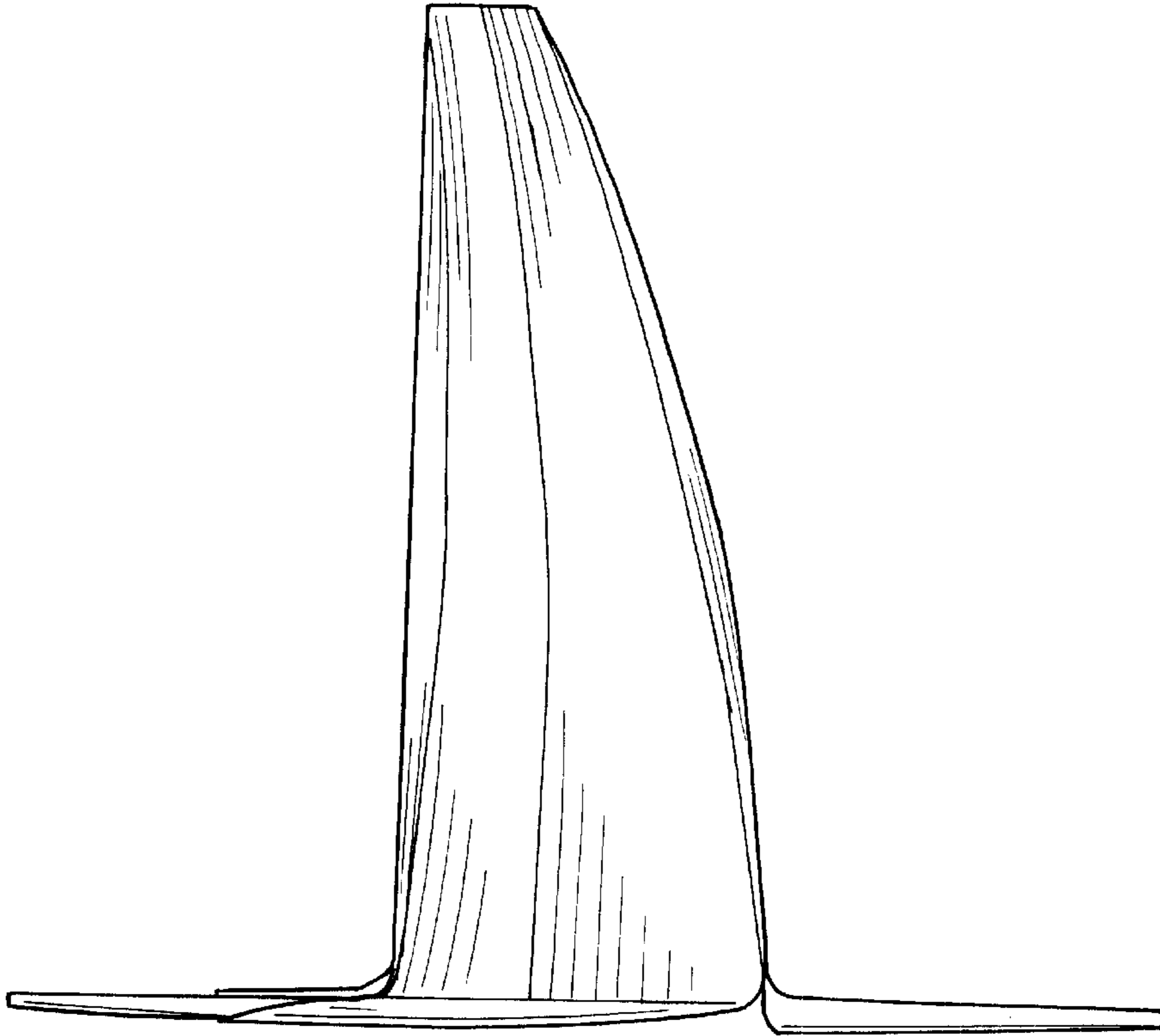


FIG. 6

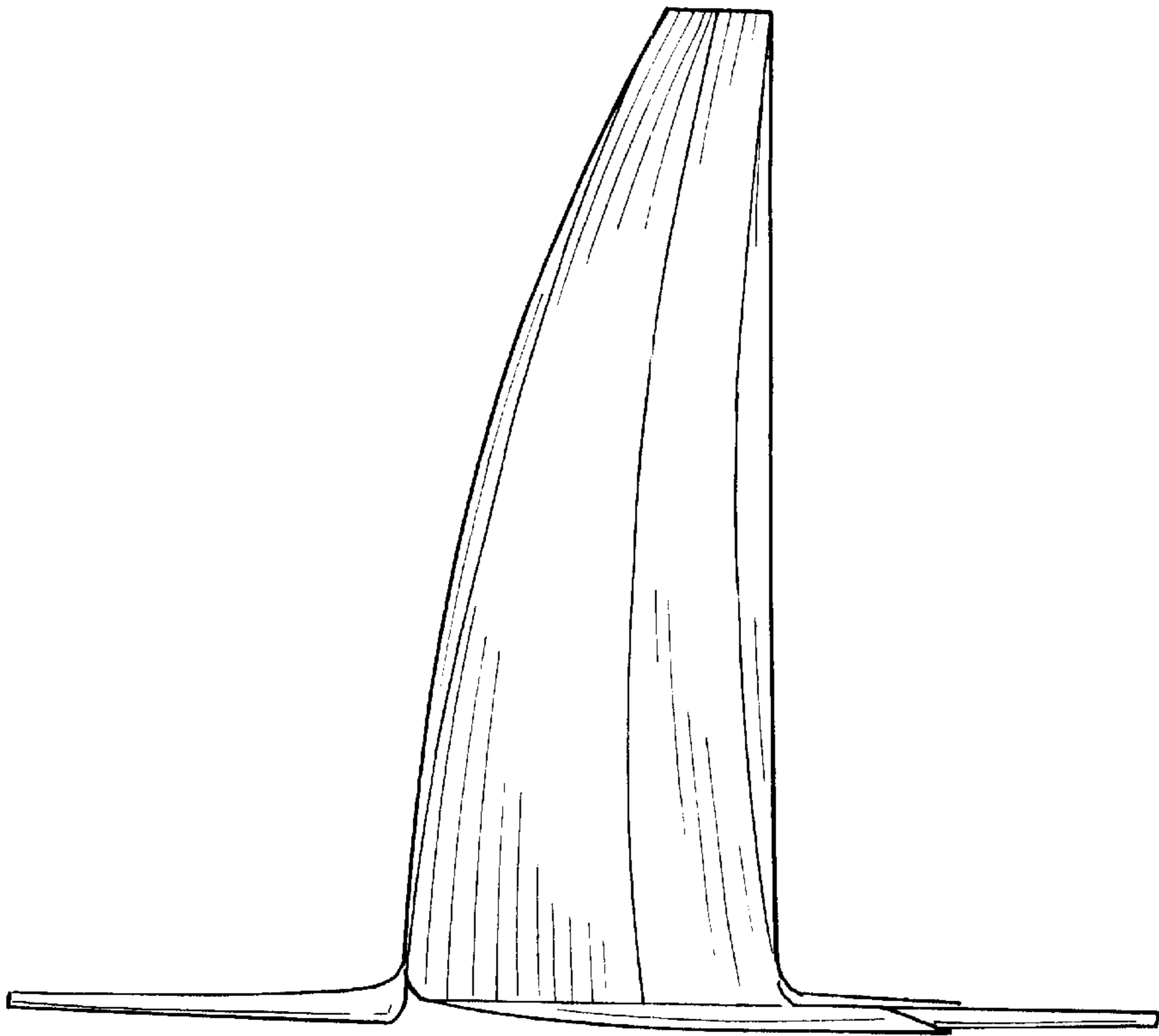


FIG. 7

