



US00D467510S

(12) **United States Design Patent**
Hung

(10) **Patent No.:** **US D467,510 S**

(45) **Date of Patent:** **** Dec. 24, 2002**

- (54) **DIGITAL GOLF SCORE DEVICE**
- (75) Inventor: **Tony Hung**, Tsuen Wan (HK)
- (73) Assignee: **Teamexx Limited**, Tsuen Wan (HK)
- (**) Term: **14 Years**
- (21) Appl. No.: **29/155,355**
- (22) Filed: **Feb. 5, 2002**
- (51) **LOC (7) Cl.** **21-01**
- (52) **U.S. Cl.** **D10/46.1**
- (58) **Field of Search** D10/46.1, 46;
235/90; 116/222-225; 473/131; 224/918,
921

- D413,275 S * 8/1999 Wu D10/46.1
- 6,119,623 A * 9/2000 Penland et al. 116/225
- D449,544 S * 10/2001 Liu D10/46.1

* cited by examiner

Primary Examiner—Prabhakar Deshmukh
(74) *Attorney, Agent, or Firm*—Alix, Yale & Ristas, LLP

(57) **CLAIM**

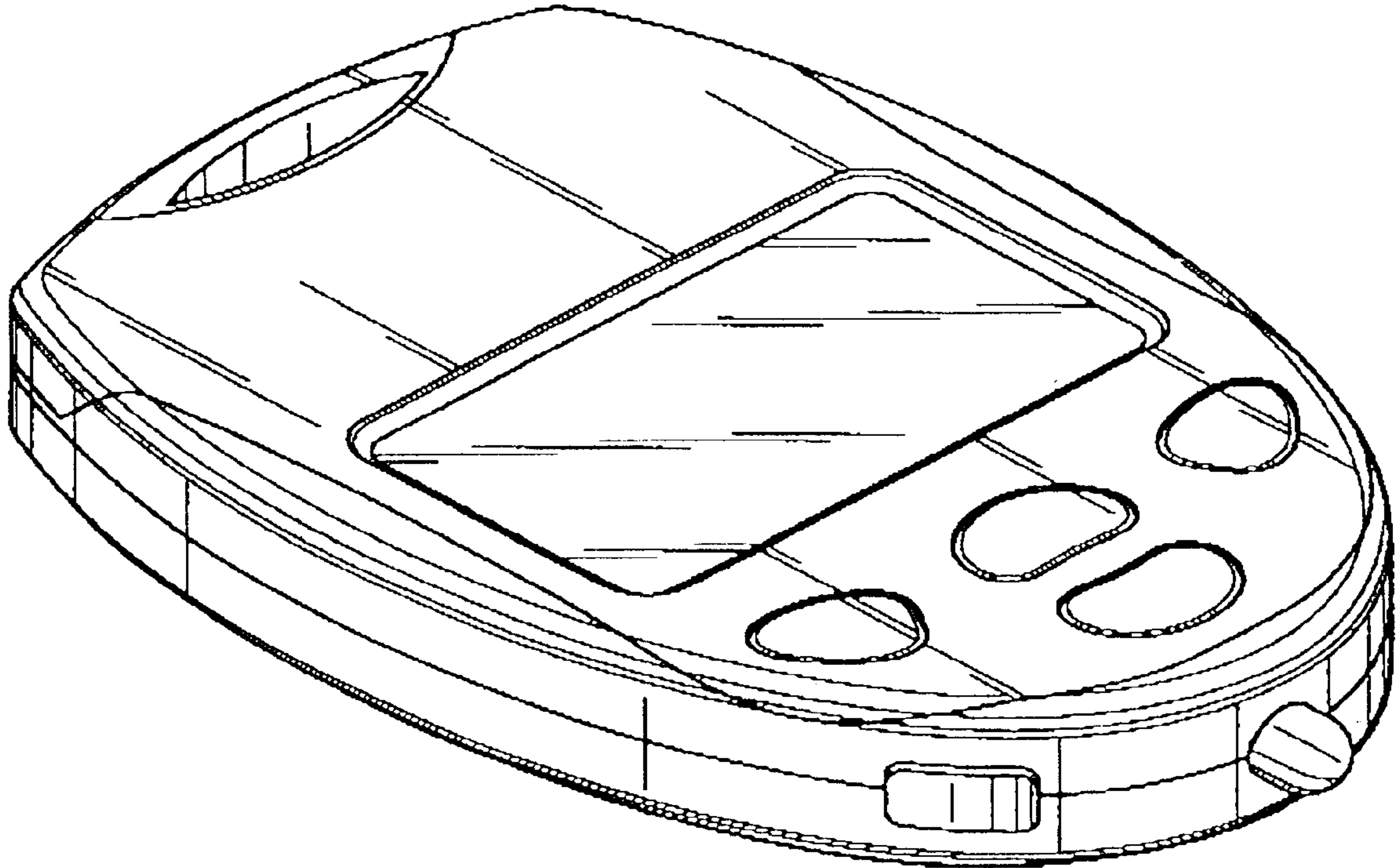
The ornamental design for a digital golf score device, as shown and described.

DESCRIPTION

FIG. 1 is a front perspective view of a digital golf score device showing my new design;
FIG. 2 is a front elevational view thereof;
FIG. 3 is a left side elevational view thereof;
FIG. 4 is a top plan view thereof;
FIG. 5 is a rear elevational view thereof;
FIG. 6 is a right side elevational view thereof; and,
FIG. 7 is a bottom plan view thereof.

- (56) **References Cited**
- U.S. PATENT DOCUMENTS**
- D353,110 S * 12/1994 Calabrese et al. D10/46.1
- 5,398,418 A * 3/1995 Jones 116/225
- D394,406 S * 5/1998 Sacks D10/46.1

1 Claim, 3 Drawing Sheets



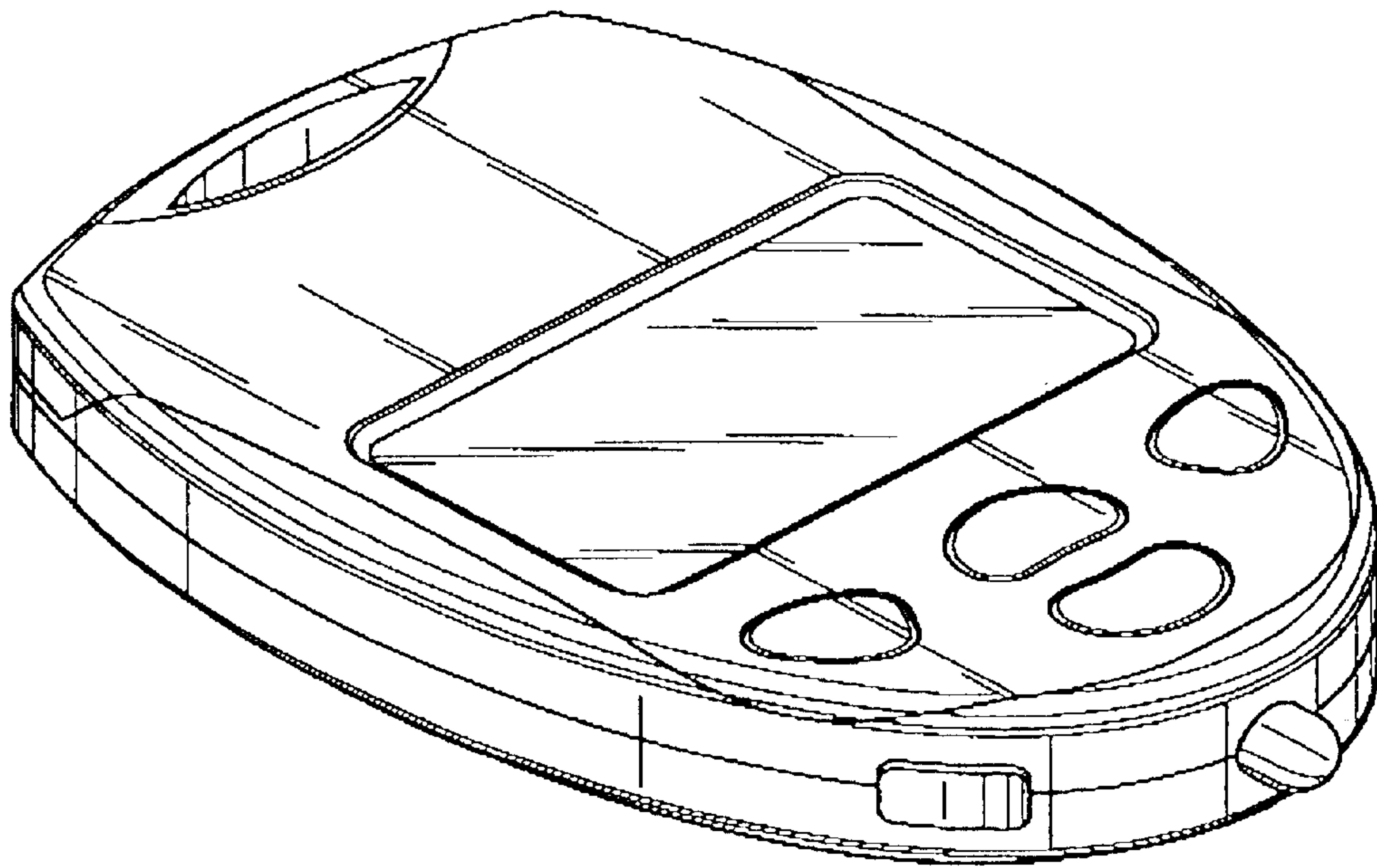


FIG. 1

FIG. 4

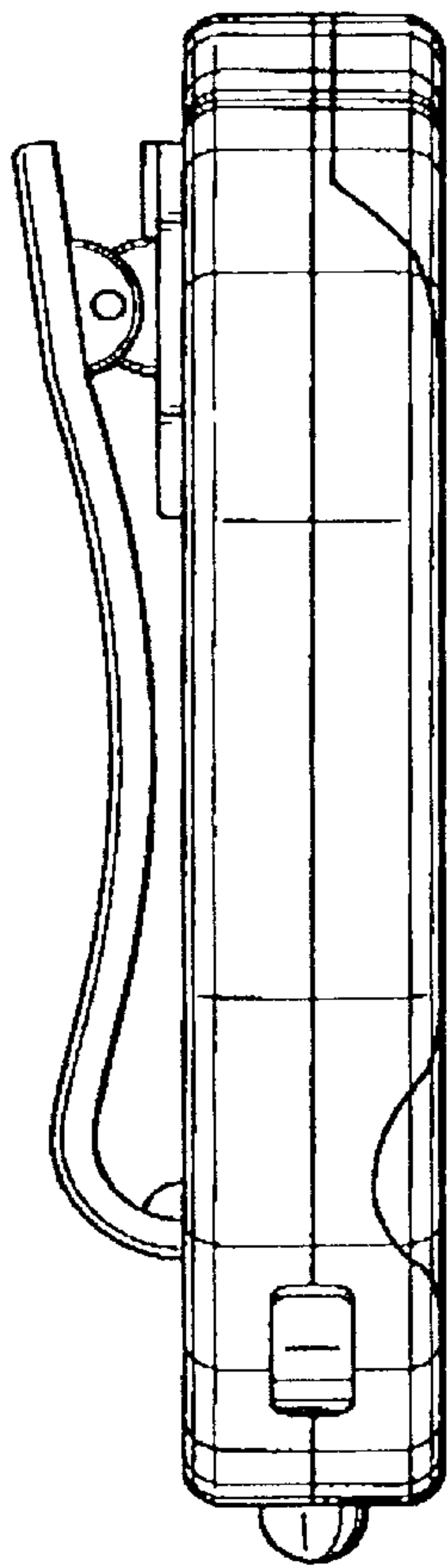
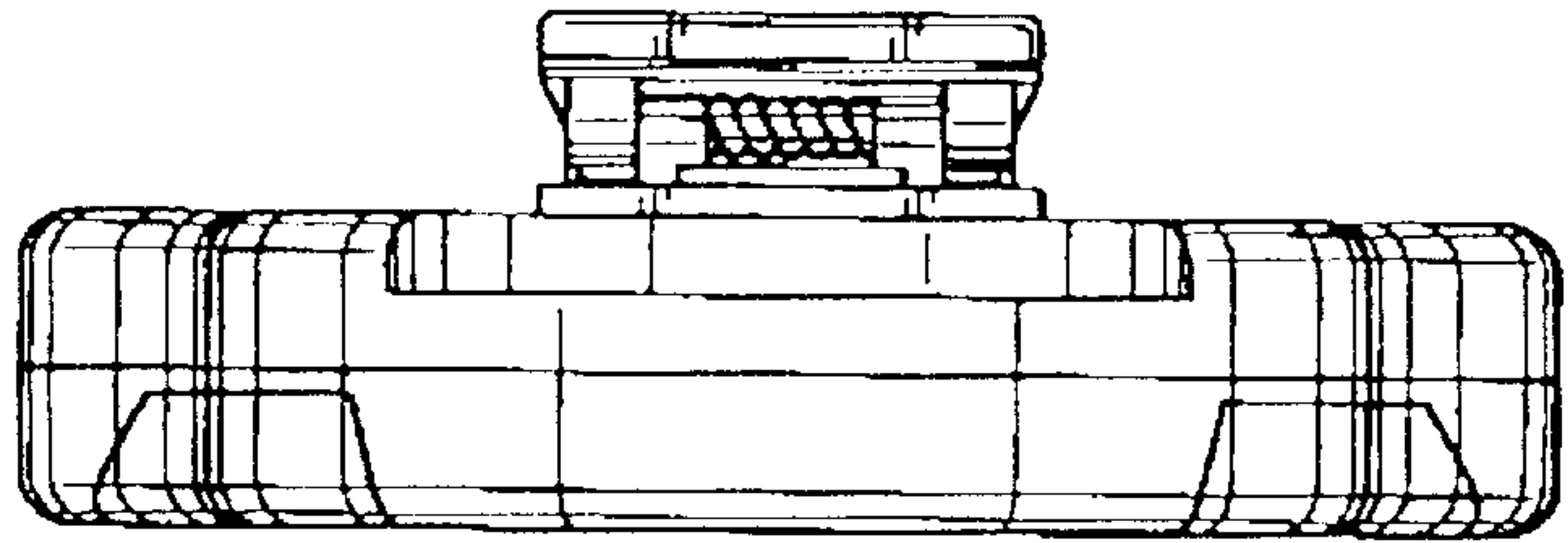


FIG. 3

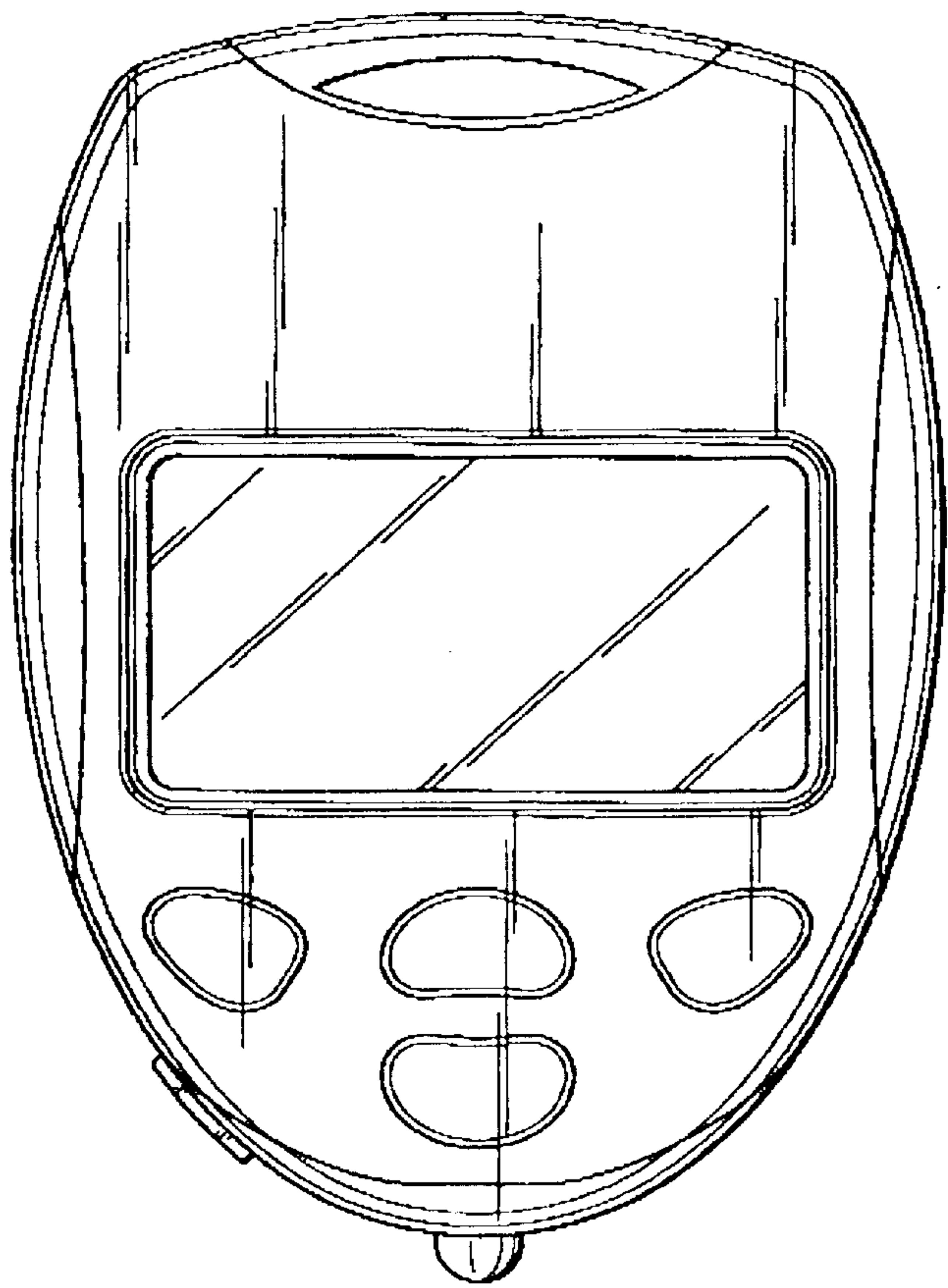


FIG. 2

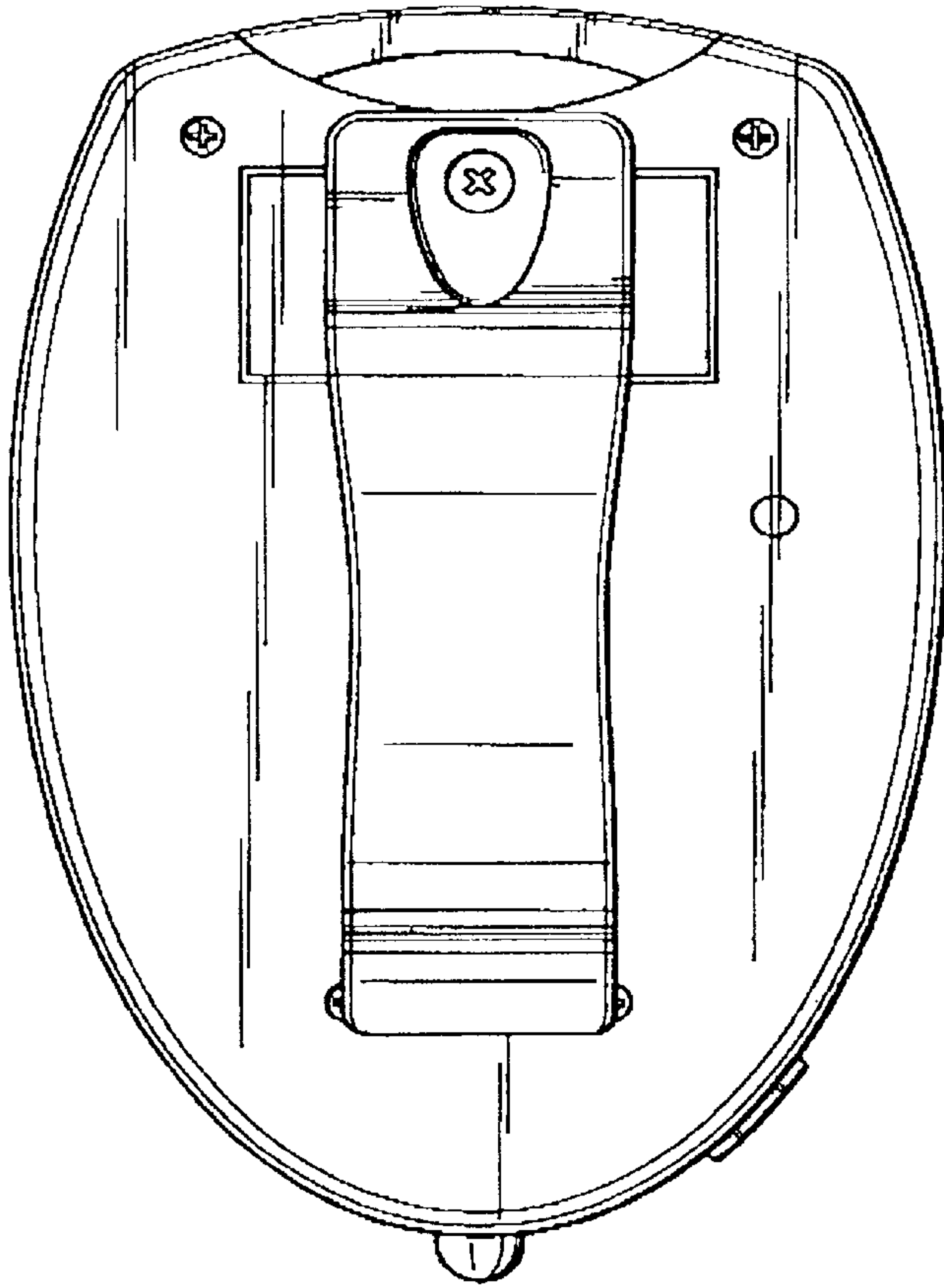


FIG. 5

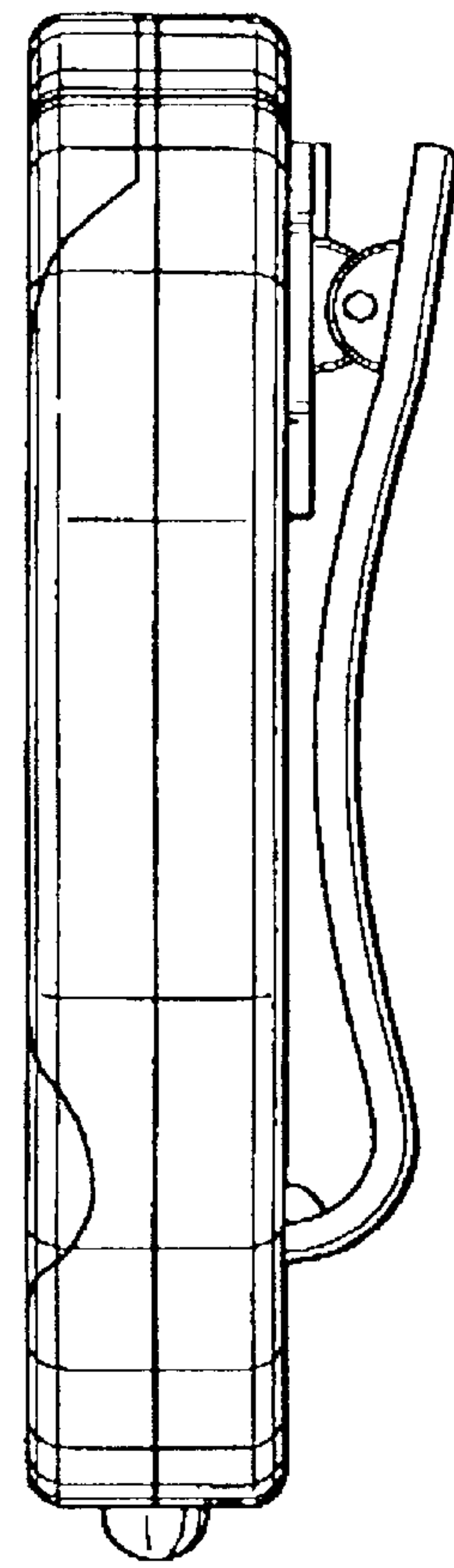


FIG. 6

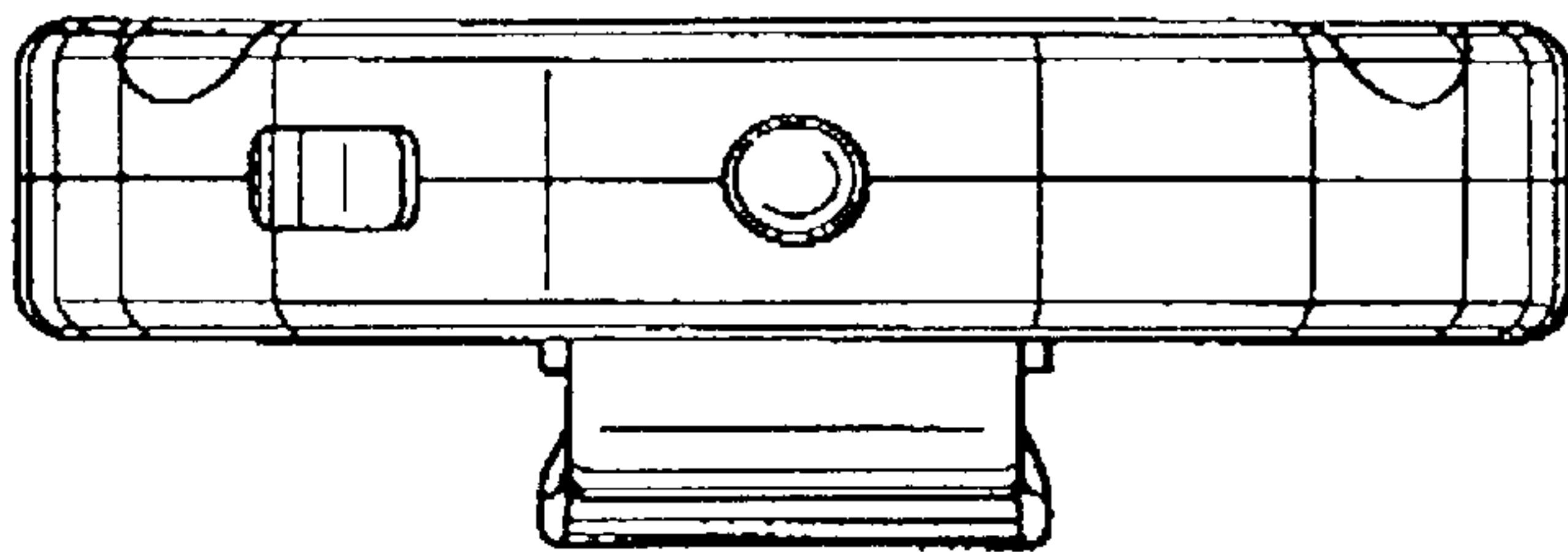


FIG. 7