



US00D467507S

(12) **United States Design Patent**
Bryant et al.

(10) **Patent No.: US D467,507 S**

(45) **Date of Patent: ** Dec. 24, 2002**

(54) **BEVERAGE CONTAINER**

(75) Inventors: **Michael Patrick Bryant**, Marlborough, MA (US); **Gerald Louis Forget**, Mercier (CA); **William J. Hendricks**, Windham, NH (US); **Edward H. Lerner**, Lexington, MA (US)

(73) Assignee: **Welch Foods, Inc., a Cooperative**, Concord, MA (US)

(**) Term: **14 Years**

(21) Appl. No.: **29/153,129**

(22) Filed: **Jan. 3, 2002**

(51) **LOC (7) Cl. 09-01**

(52) **U.S. Cl. D9/570; D9/572; D9/574**

(58) **Field of Search D3/202; D6/542; D7/306; D9/500, 502-504, 516, 523, 526-528, 530-531, 537-540, 541-546, 549, 551, 556-558, 569, 570-572, 574-575; D24/121, 224; D32/25, 30, 45, 10; 215/382-384, 396, 398, 400**

(56) **References Cited**

U.S. PATENT DOCUMENTS

D94,157 S	*	12/1934	Marcus	D9/542
D110,034 S	*	6/1938	Reynolds	D9/553
D152,875 S	*	3/1949	Frame	D9/542
D177,493 S	*	4/1956	Burnside	D9/558
D191,641 S	*	10/1961	DuPree	D9/541
D266,310 S	*	9/1982	Fidler et al.	D9/556
D275,267 S	*	8/1984	Gautier	D9/560
D282,638 S	*	2/1986	Beaver et al.	D9/556
D318,422 S	*	7/1991	Rumney	D9/559
D348,007 S	*	6/1994	Feen	D9/556
D367,613 S	*	3/1996	Weiler	D9/571 X
D367,614 S	*	3/1996	Pagarani	D9/559
D384,586 S	*	10/1997	Peek	D9/560 X
D387,671 S	*	12/1997	Panella	D9/538

D391,492 S	*	3/1998	Pang	D9/538
D401,860 S	*	12/1998	Granelli	D9/538
D404,306 S	*	1/1999	Steinke	D9/502
D410,197 S	*	5/1999	Herrin et al.	D9/502
D411,750 S	*	6/1999	Forecast et al.	D9/539
D427,910 S	*	7/2000	Barnes et al.	D9/502
D432,422 S	*	10/2000	Del Bianco	D9/502
6,296,131 B2	*	10/2001	Rashid	215/383

OTHER PUBLICATIONS

Commercially-available containers.

* cited by examiner

Primary Examiner—Ted Shooman

Assistant Examiner—Carol Rademaker

(74) *Attorney, Agent, or Firm*—Colin P. Cahoon; Carstens, Yee & Cahoon, L.L.P.

(57) **CLAIM**

The ornamental design for a beverage container, as shown and described.

DESCRIPTION

FIG. 1 is a front, top perspective view of the beverage container of the present invention;

FIG. 2 is a rear, bottom perspective view of the beverage container of the present invention;

FIG. 3 is a top plan view of the beverage container of the present invention;

FIG. 4 is a side elevation view of the beverage container of the present invention, both sides being identical;

FIG. 5 is a front, elevation view of the beverage container of the present invention, which is identical to a rear elevation view; and,

FIG. 6 is a bottom plan view of the beverage container of the present invention.

The broken lines showing of the cap and bottom features in all figures are for illustrative purposes only and form no part of the claimed design.

1 Claim, 2 Drawing Sheets

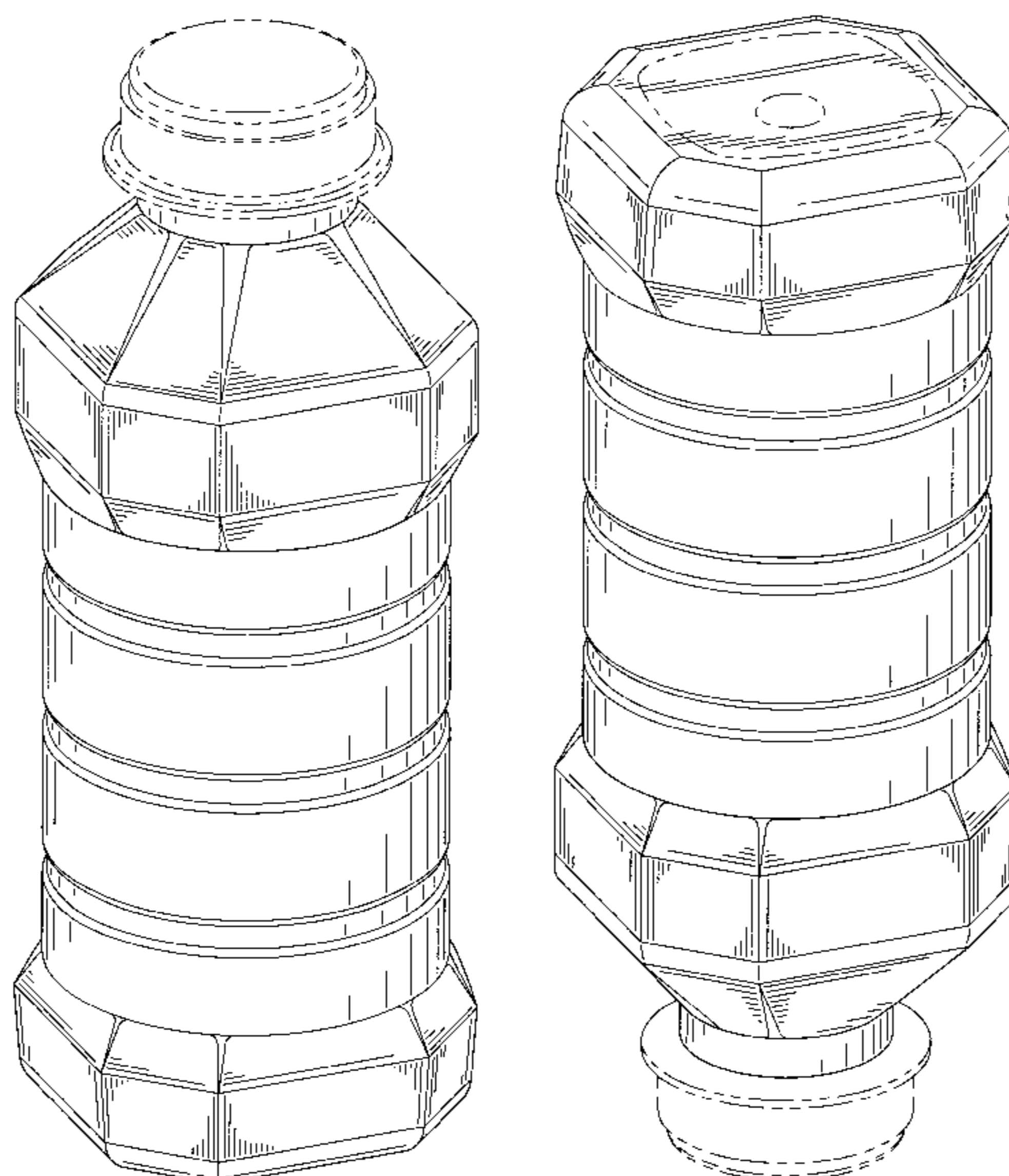


FIG. 1

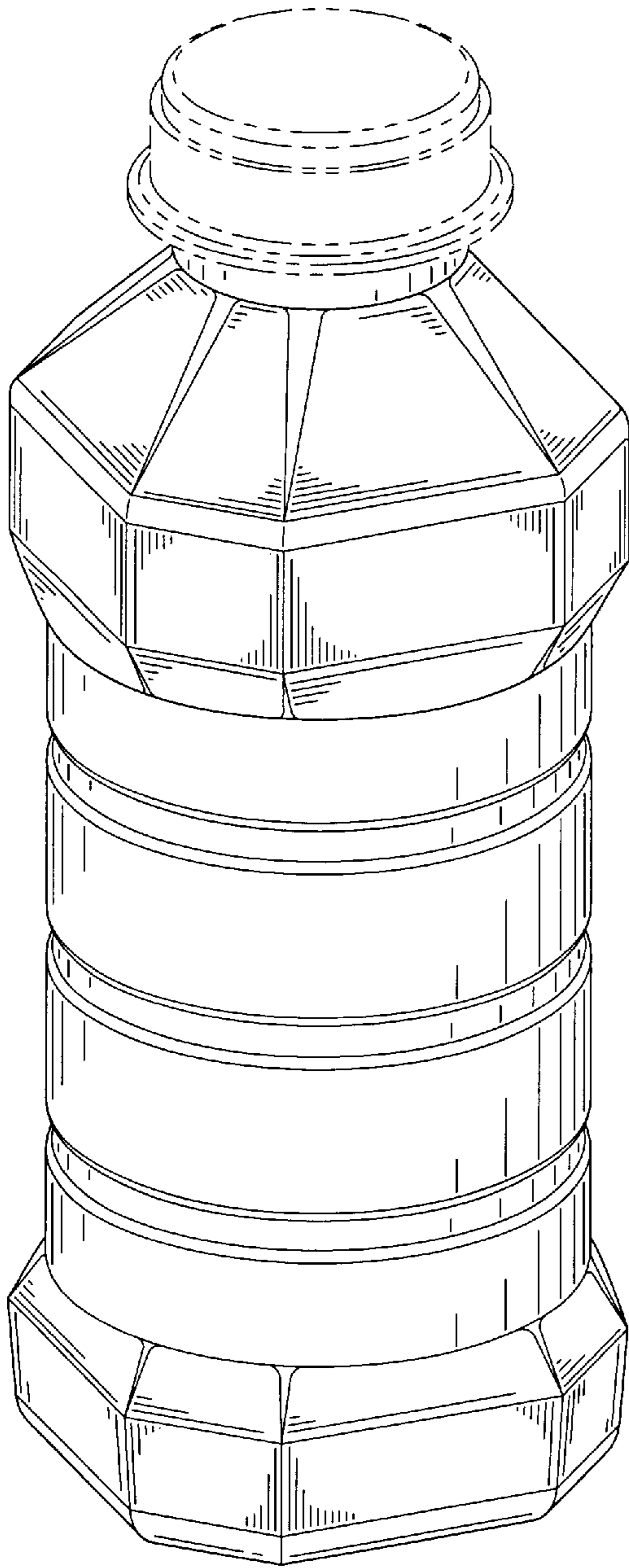


FIG. 2

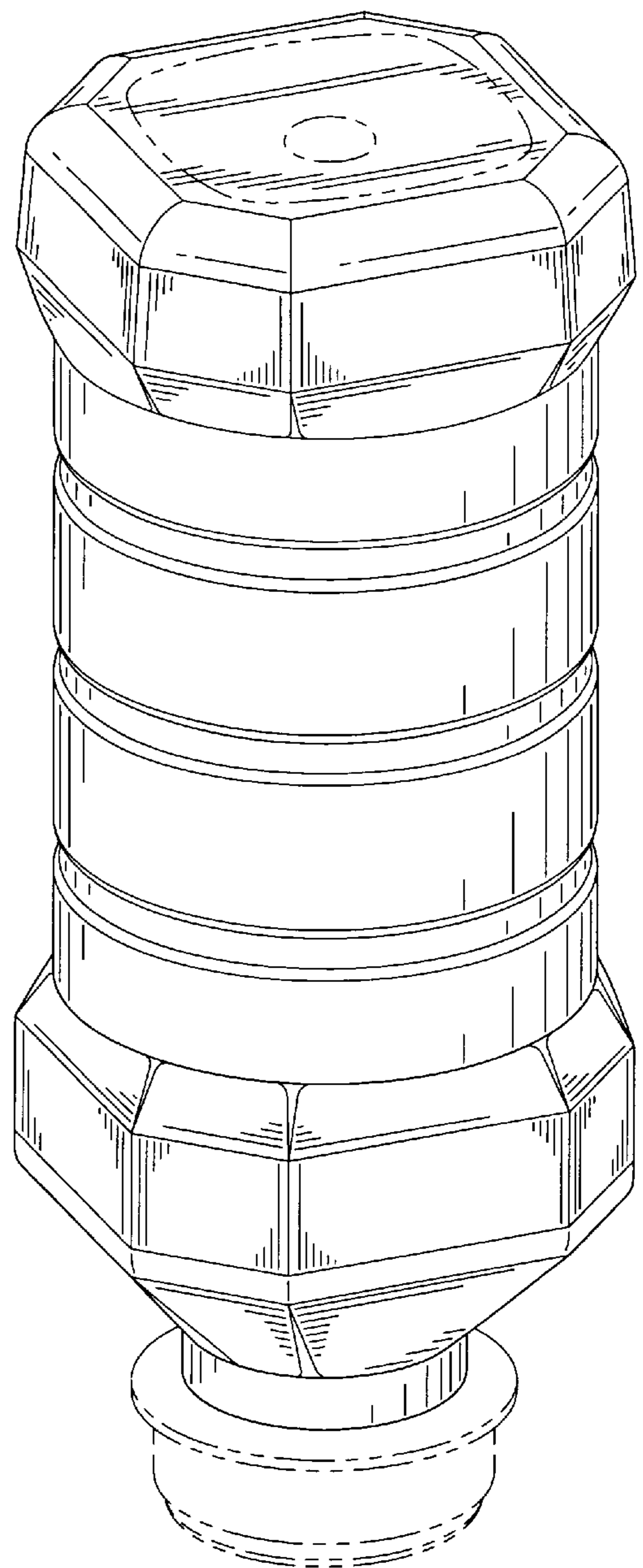


FIG. 3

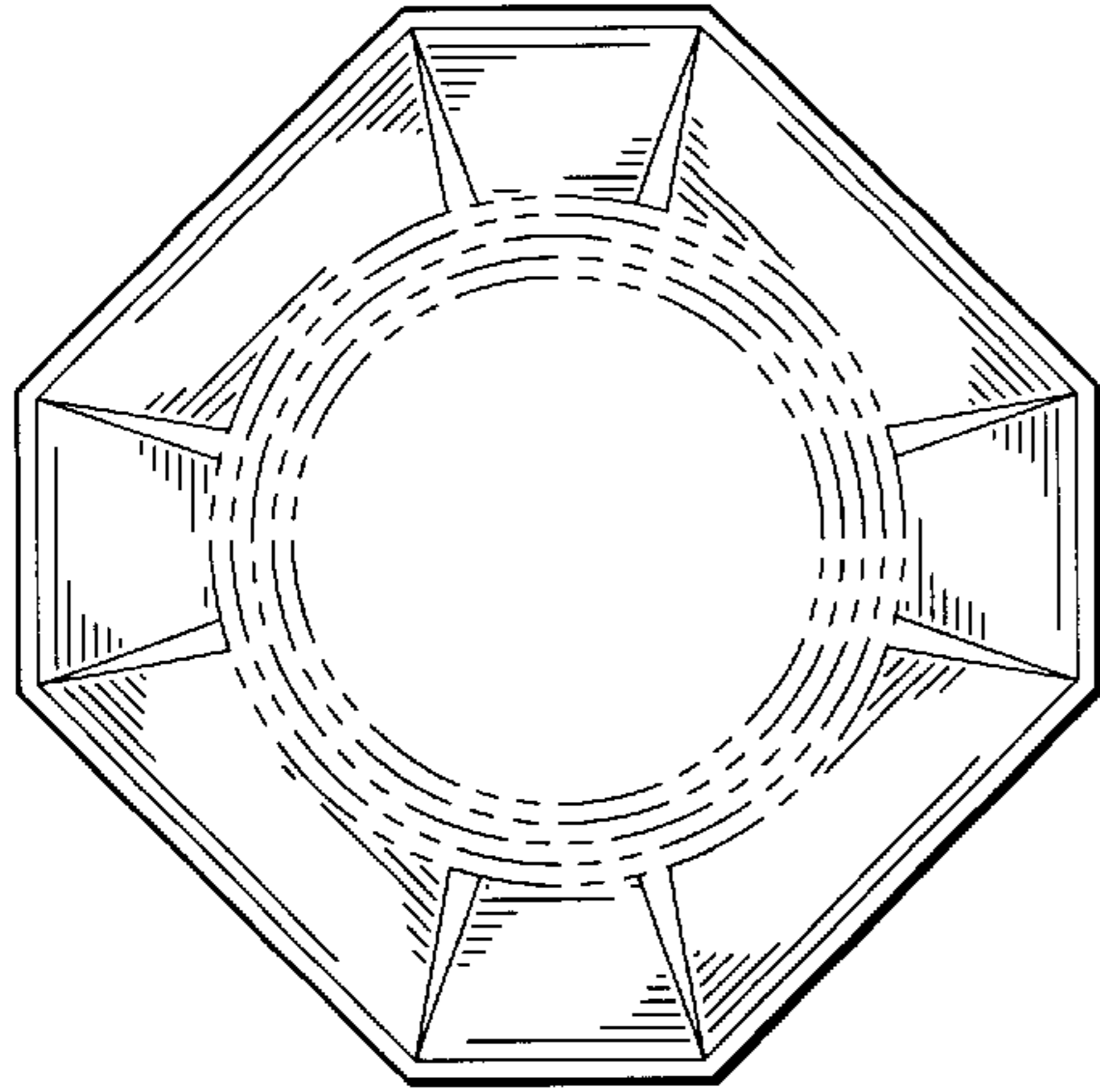


FIG. 5

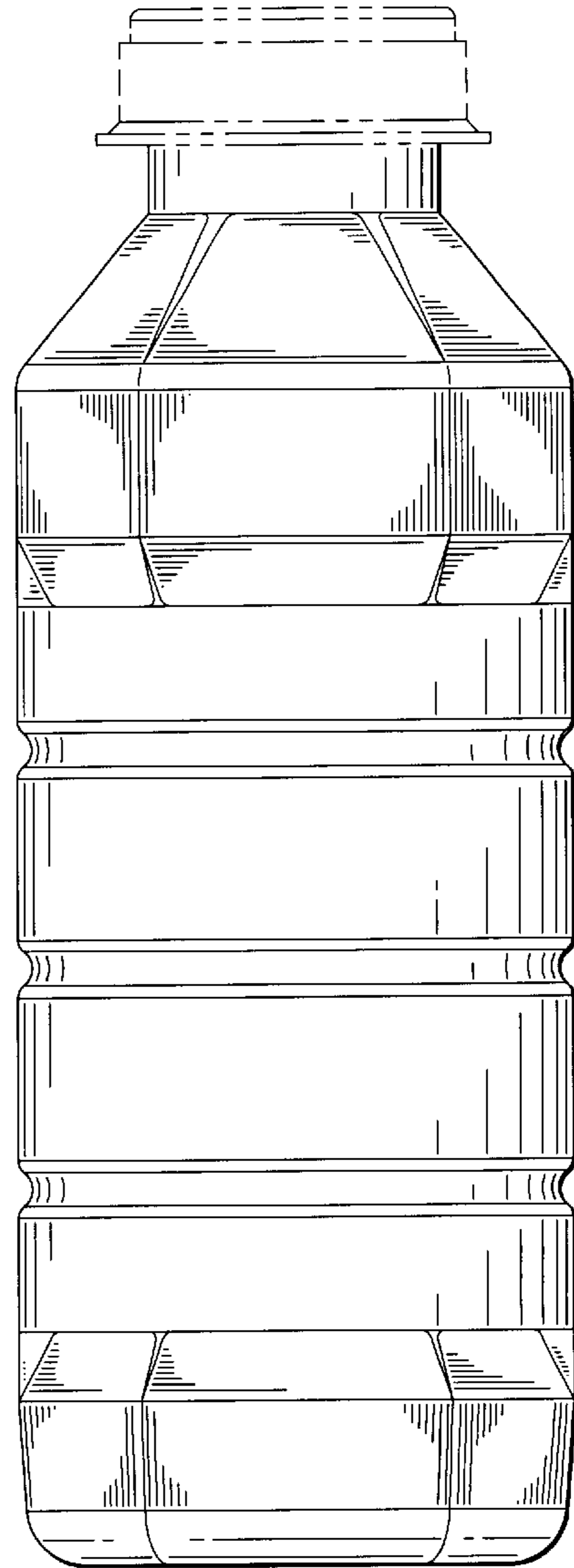


FIG. 4

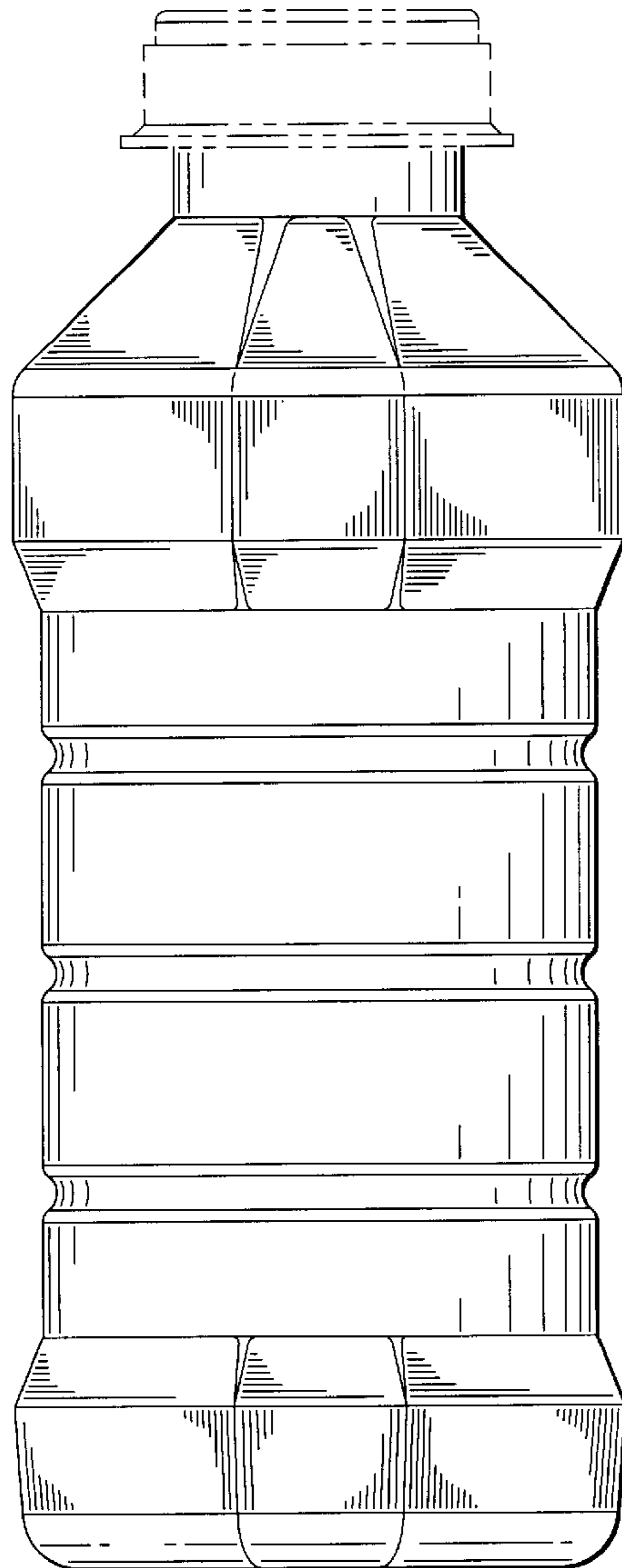


FIG. 6

