



US00D467505S

(12) **United States Design Patent**
Iizuka et al.

(10) **Patent No.:** **US D467,505 S**

(45) **Date of Patent:** **** Dec. 24, 2002**

(54) **CONTAINER BODY**

(75) Inventors: **Takao Iizuka**, Tokyo (JP); **Masaaki Sasaki**, Chiba-Ken (JP)

(73) Assignee: **Yoshino Kogyosho Co., Ltd.**, Tokyo (JP)

(**) Term: **14 Years**

(21) Appl. No.: **29/148,550**

(22) Filed: **Sep. 24, 2001**

(51) **LOC (7) Cl.** **09-01**

(52) **U.S. Cl.** **D9/538; D9/540**

(58) **Field of Search** D9/516, 530, 531,
D9/537, 538, 540, 541, 543, 549, 556,
557, 559, 569, 570, 575; 215/381-385,
396, 398, 6, 400; 220/671-672, 663, 665,
669

(56) **References Cited**

U.S. PATENT DOCUMENTS

D300,805 S	*	4/1989	Rogler et al.	D9/551 X
D320,154 S	*	9/1991	Alberghini et al.	D9/557 X
D344,457 S	*	2/1994	Prevot et al.	D9/537
5,392,937 A	*	2/1995	Prevot et al.	215/400
5,472,105 A	*	12/1995	Krishnakumar et al.	215/384
5,598,941 A	*	2/1997	Semersky et al.	215/384
D390,114 S	*	2/1998	Young	D9/540 X

D417,844 S	*	12/1999	Lane	D9/434
D419,872 S	*	2/2000	Lane	D9/434
D421,220 S	*	2/2000	Larson et al.	D9/434
D425,425 S	*	5/2000	Silvers et al.	D9/540 X
D429,152 S	*	8/2000	Lane	D9/434
D442,866 S	*	5/2001	Mooney et al.	D9/537 X
6,223,920 B1	*	5/2001	Lane et al.	215/384
D445,036 S	*	7/2001	Goettner et al.	D9/538
D452,158 S	*	12/2001	Dygert	D9/538

* cited by examiner

Primary Examiner—Mitchell Siegel

Assistant Examiner—Carol Rademaker

(74) *Attorney, Agent, or Firm*—Oliff & Berridge, PLC

(57) **CLAIM**

The ornamental design for a container body, as shown and described.

DESCRIPTION

FIG. 1 is a front view of the container;

FIG. 2 is a left side view thereof;

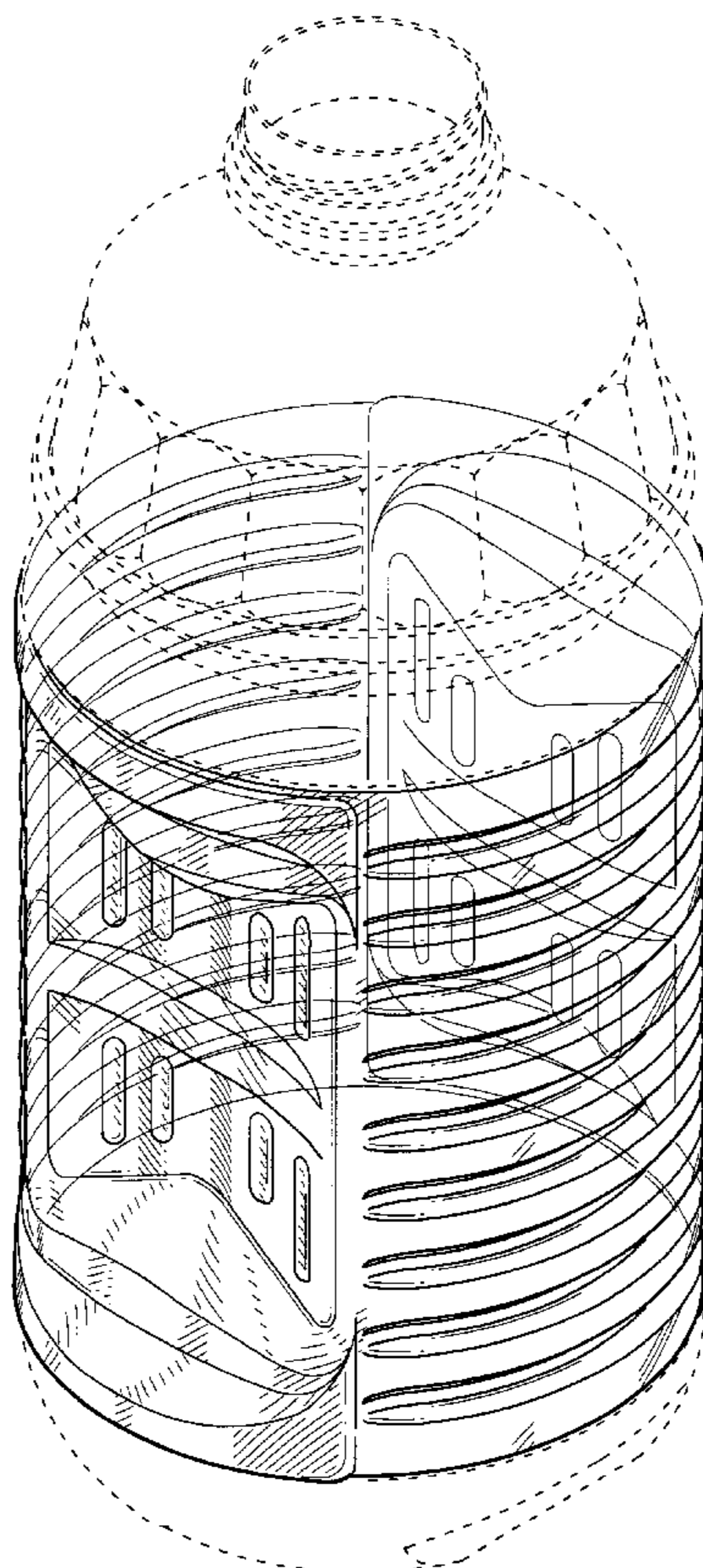
FIG. 3 is a rear view thereof;

FIG. 4 is a right side view thereof; and,

FIG. 5 is a perspective view thereof.

The broken line portion of the container shown in FIGS. 1-5 is for illustrative purposes only and forms no part of the claimed design.

1 Claim, 5 Drawing Sheets



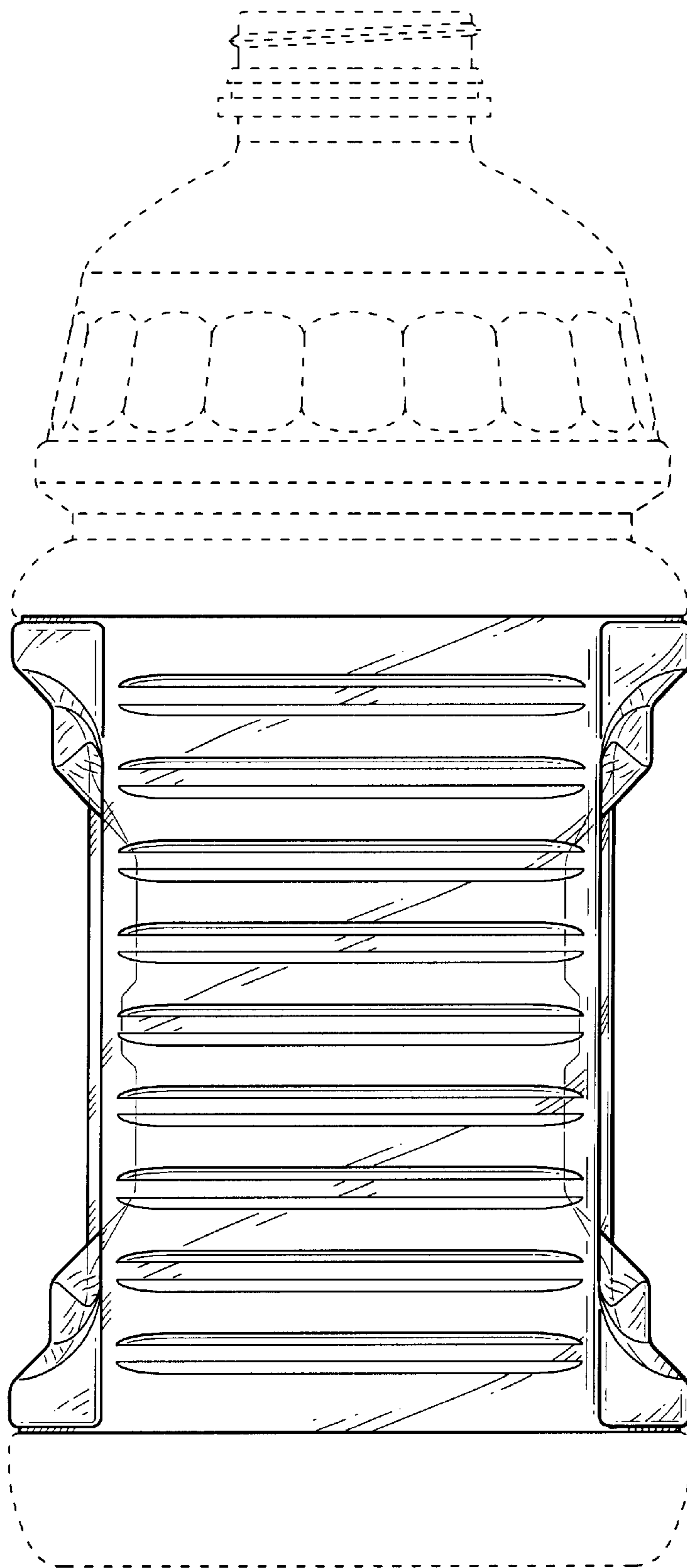


Fig. 1

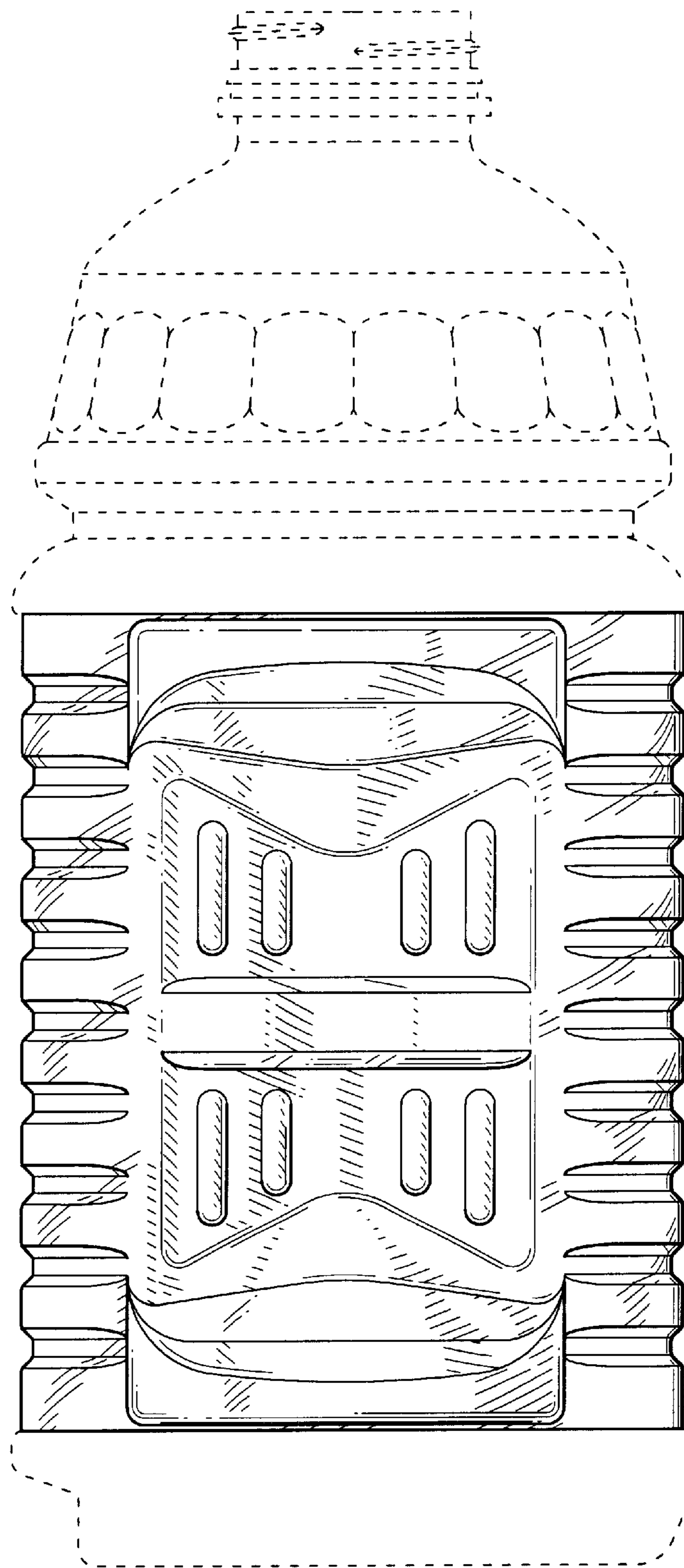


Fig. 2

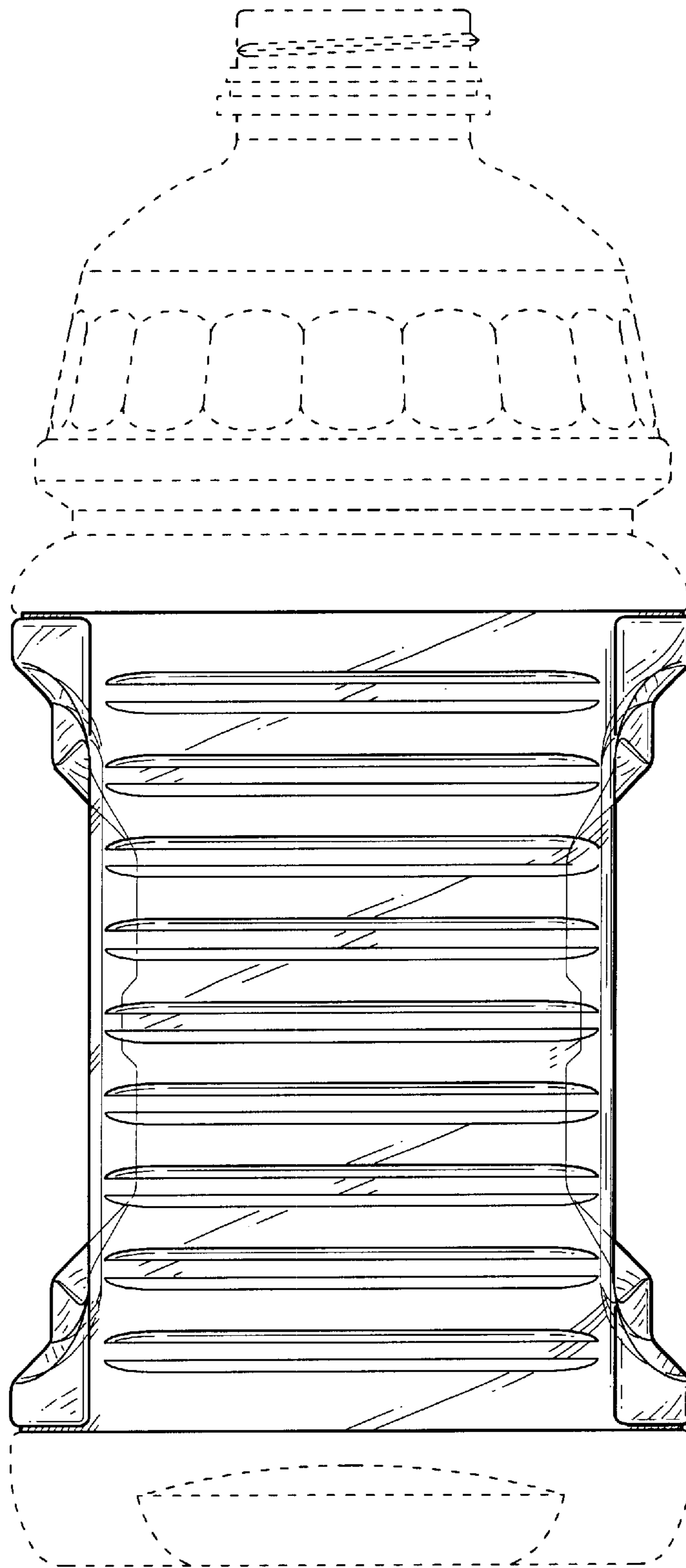


Fig. 3

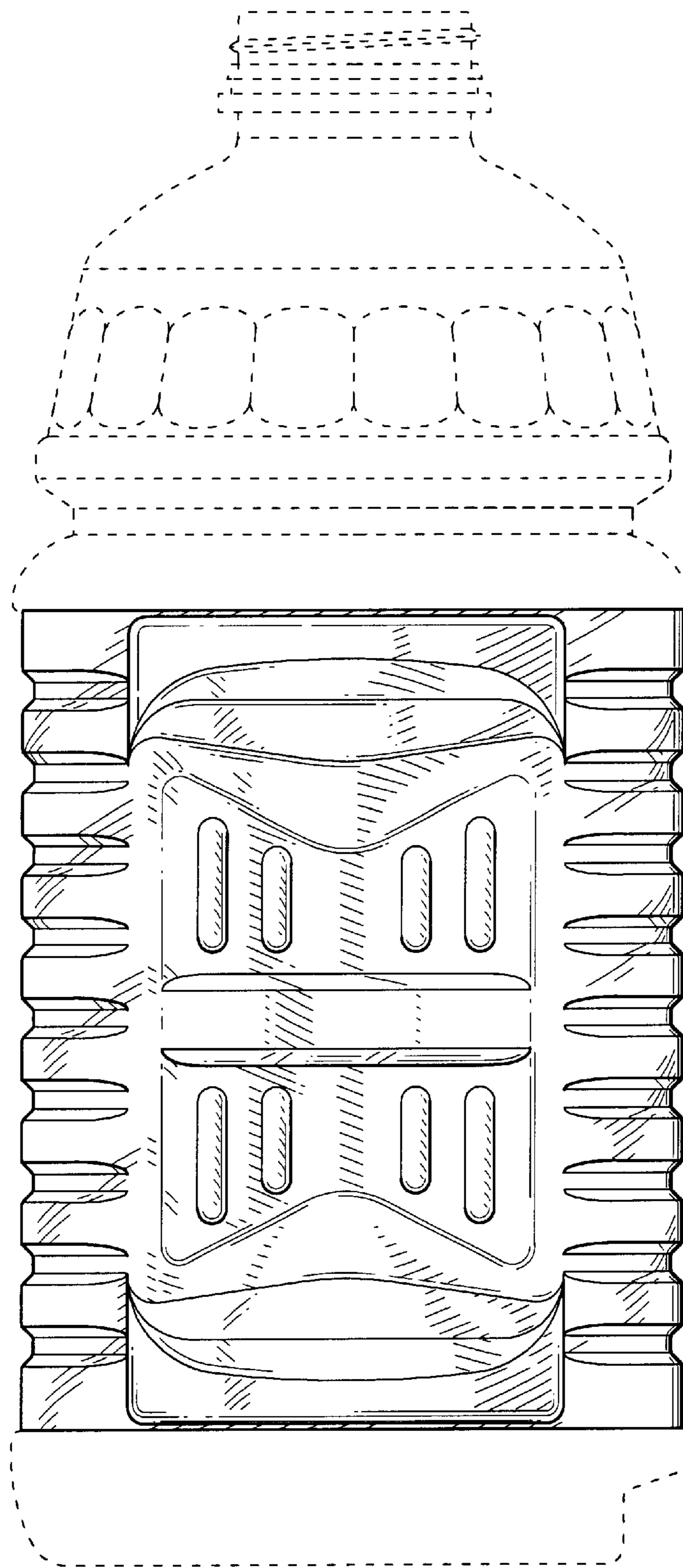


Fig. 4

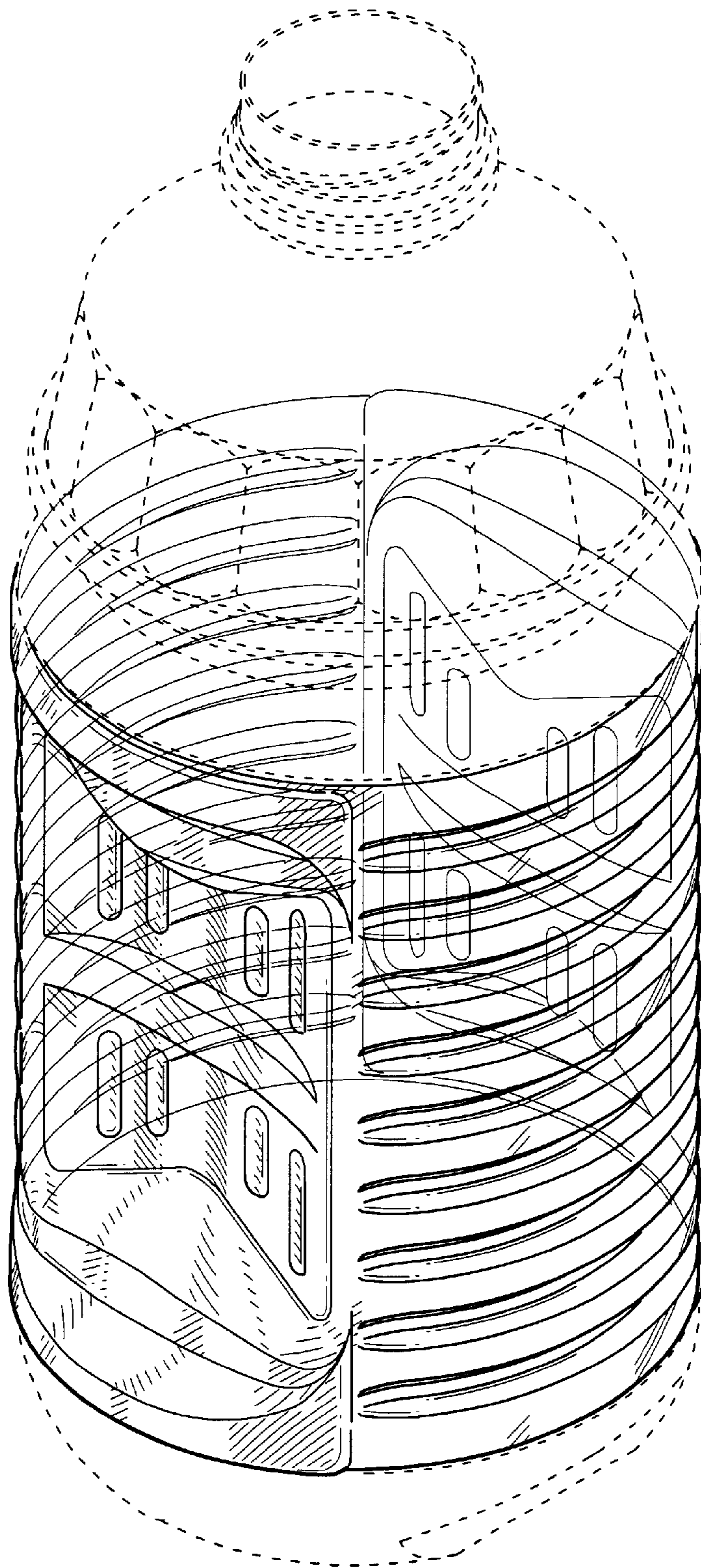


Fig. 5