



US00D467504S

(12) **United States Design Patent**  
**De Baschmakoff**

(10) **Patent No.:** **US D467,504 S**

(45) **Date of Patent:** **\*\* Dec. 24, 2002**

(54) **PERFUME CONTAINER**

(75) **Inventor:** **Thierry De Baschmakoff, Paris (FR)**

(73) **Assignee:** **Bulgari S.p.A, Rome (IT)**

(\*\*) **Term:** **14 Years**

(21) **Appl. No.:** **29/147,099**

(22) **Filed:** **Aug. 22, 2001**

(30) **Foreign Application Priority Data**

Feb. 26, 2001 (XH) ..... DM/055 261

(51) **LOC (7) Cl.** ..... **09-01**

(52) **U.S. Cl.** ..... **D9/516; D9/522; D9/549**

(58) **Field of Search** ..... **D3/202; D6/542;**  
**D7/306; D9/516, 523, 526-528, 531, 537-538,**  
**541, 543, 551, 556-558, 569, 570, 574-575;**  
**D24/121, 224; D32/25, 30, 45; 215/10,**  
**382-384, 396, 398, 400**

(56) **References Cited**

**U.S. PATENT DOCUMENTS**

D230,137 S \* 1/1974 Bettonica ..... D9/529  
D234,705 S \* 4/1975 Gomes et al. .... D24/224

D289,612 S \* 5/1987 Carlson ..... D9/574  
D294,804 S \* 3/1988 Lunderman et al. .... D9/529  
D311,133 S \* 10/1990 Wiseman et al. .... D9/521  
D361,270 S \* 8/1995 Schneider et al. .... D9/571  
D389,064 S \* 1/1998 Sethi et al. .... D9/521  
D457,426 S \* 5/2002 Montana ..... D9/420

\* cited by examiner

*Primary Examiner*—Ted Shooman

*Assistant Examiner*—Carol Rademaker

(74) *Attorney, Agent, or Firm*—Reising, Ethington, Barnes,  
Kisselle, Learman & McCulloch, P.C.

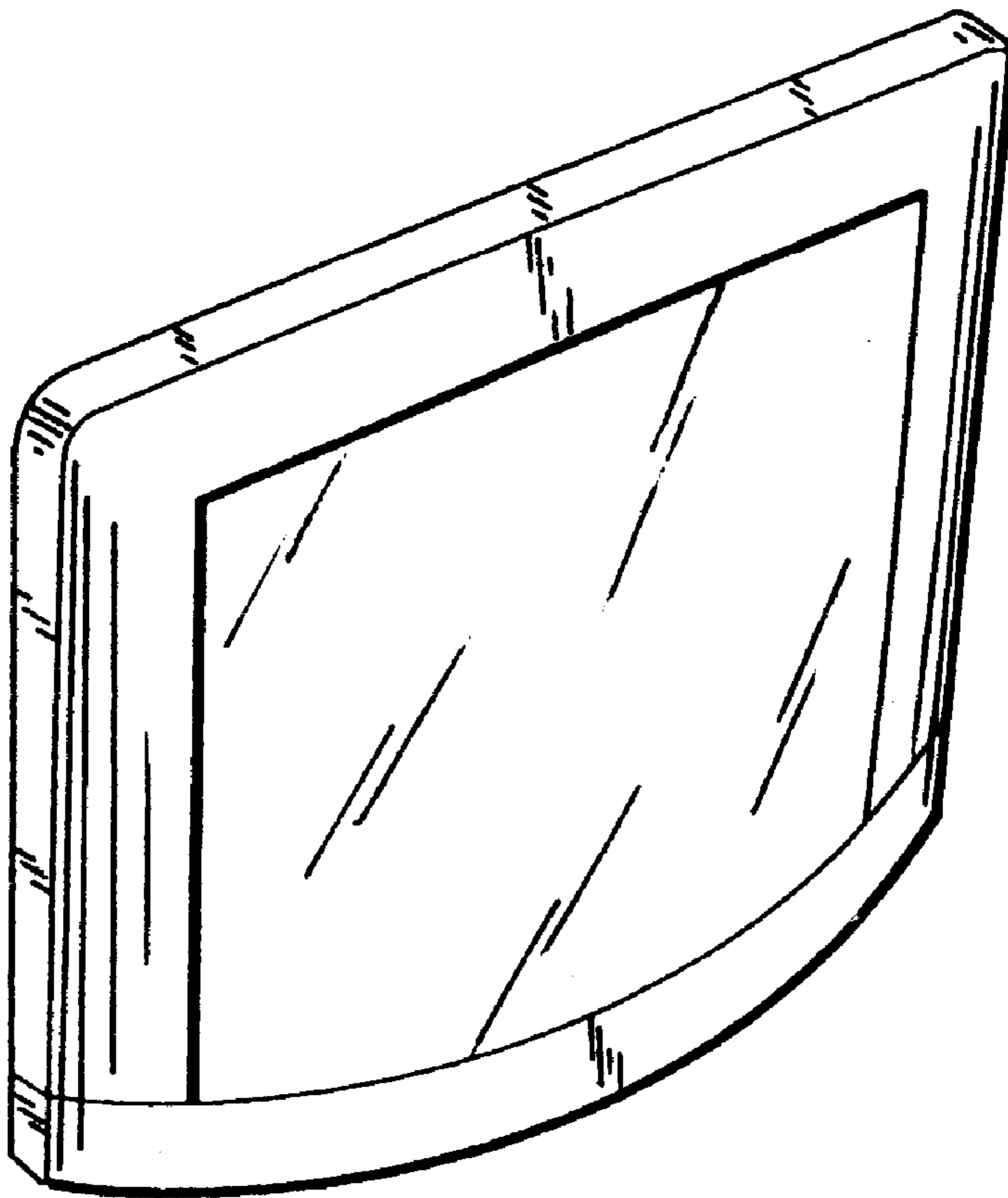
(57) **CLAIM**

The ornamental design for a perfume container, as shown.

**DESCRIPTION**

FIG. 1 shows a front view of the bottle;  
FIG. 2 shows a left side view;  
FIG. 3 shows a rear view;  
FIG. 4 shows a right side view;  
FIG. 5 shows a top view;  
FIG. 6 shows a bottom view; and,  
FIG. 7 shows a perspective view.

**1 Claim, 1 Drawing Sheet**



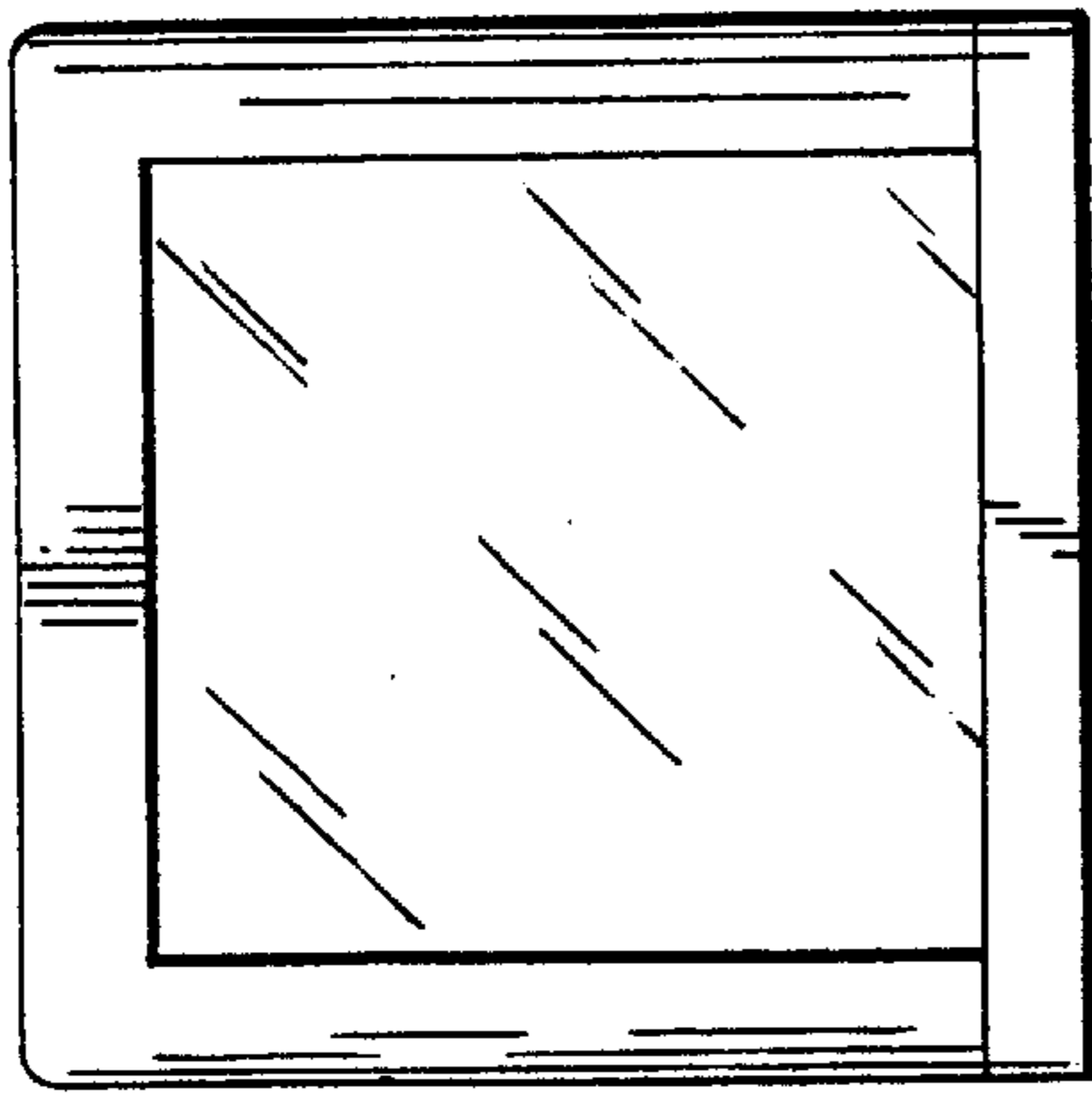


FIG. 1

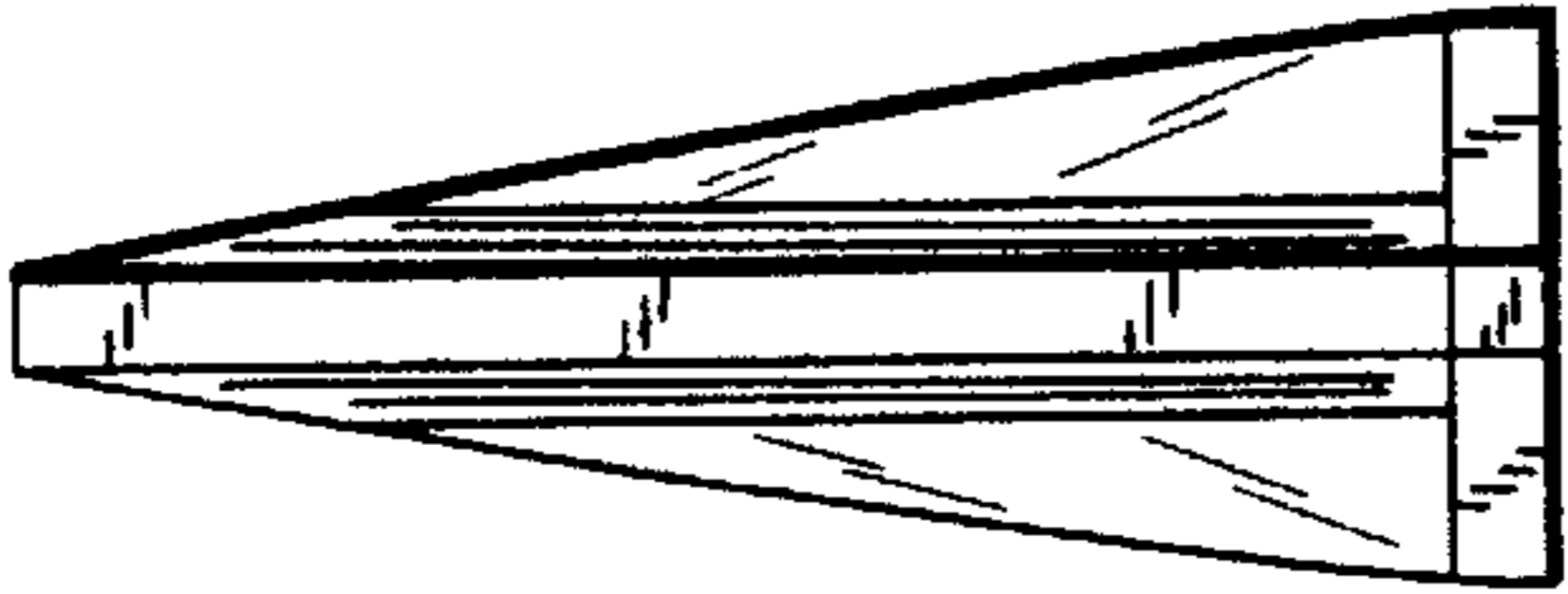


FIG. 2

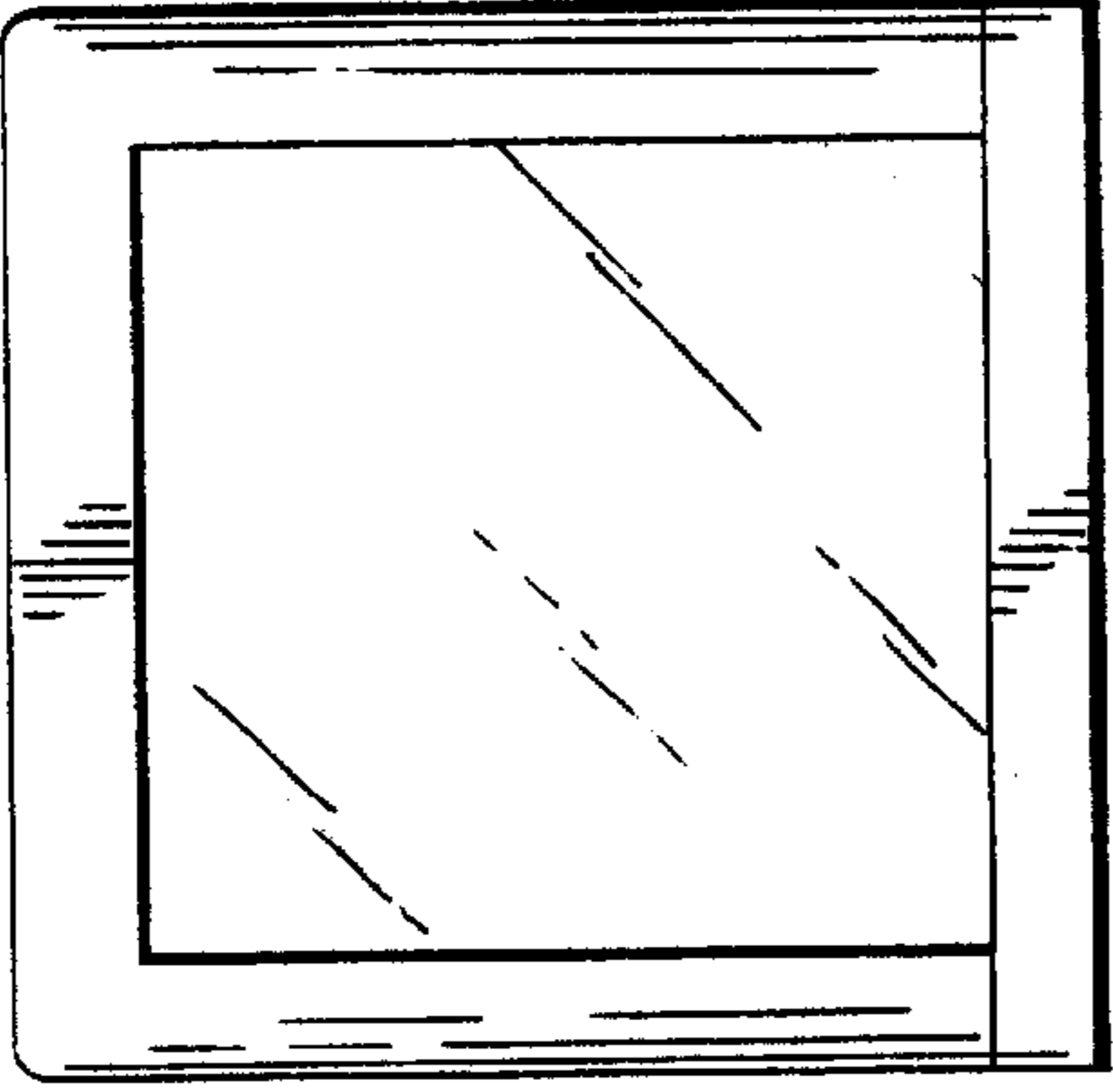


FIG. 3

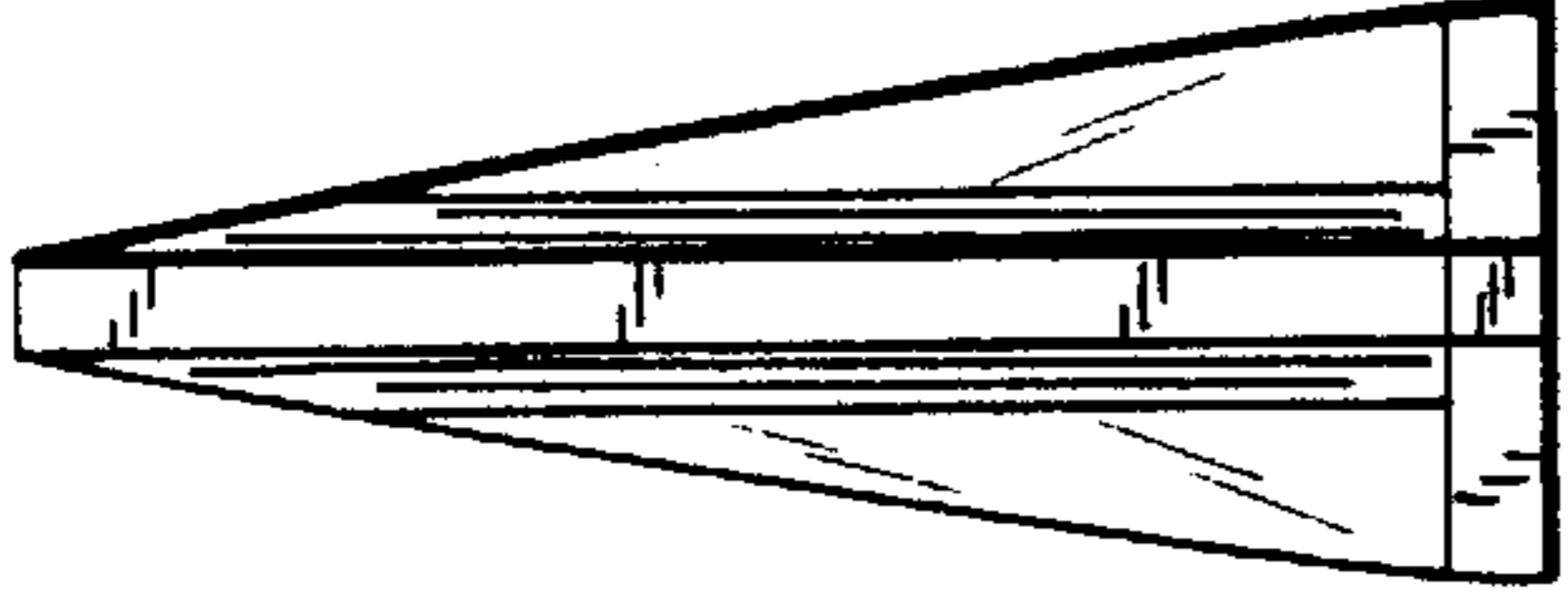


FIG. 4

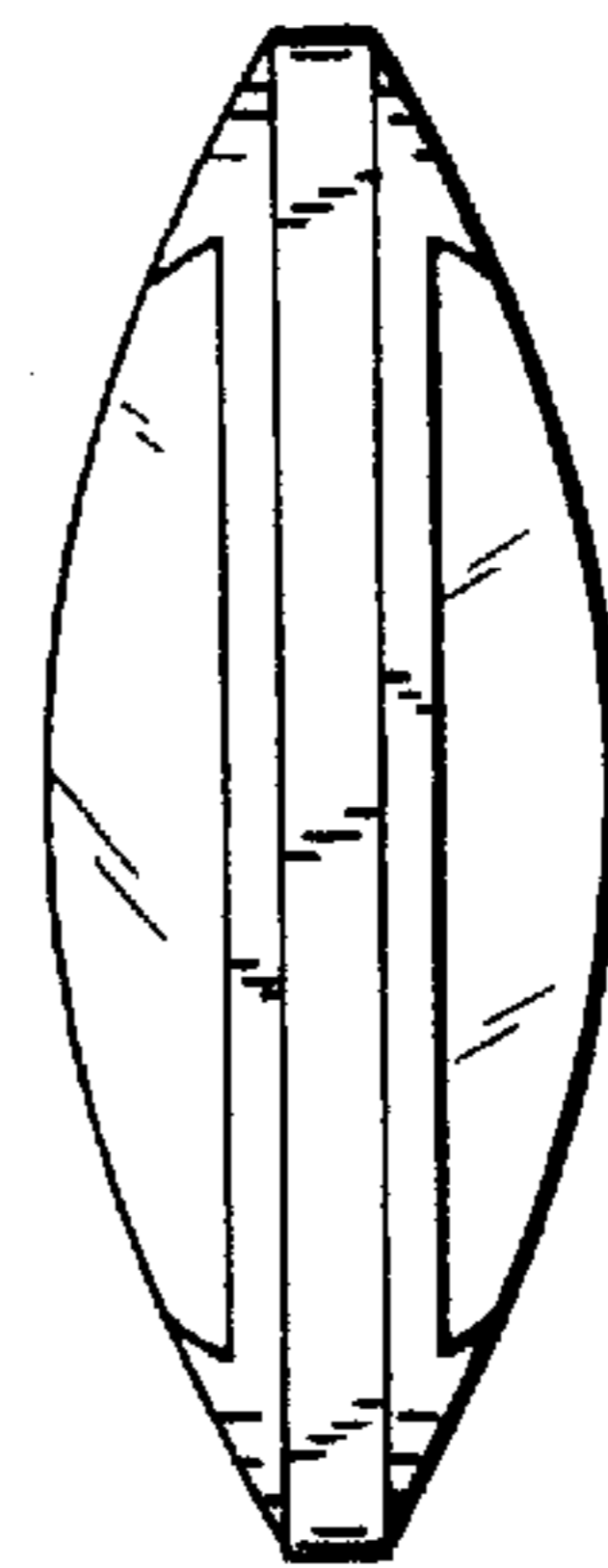


FIG. 5

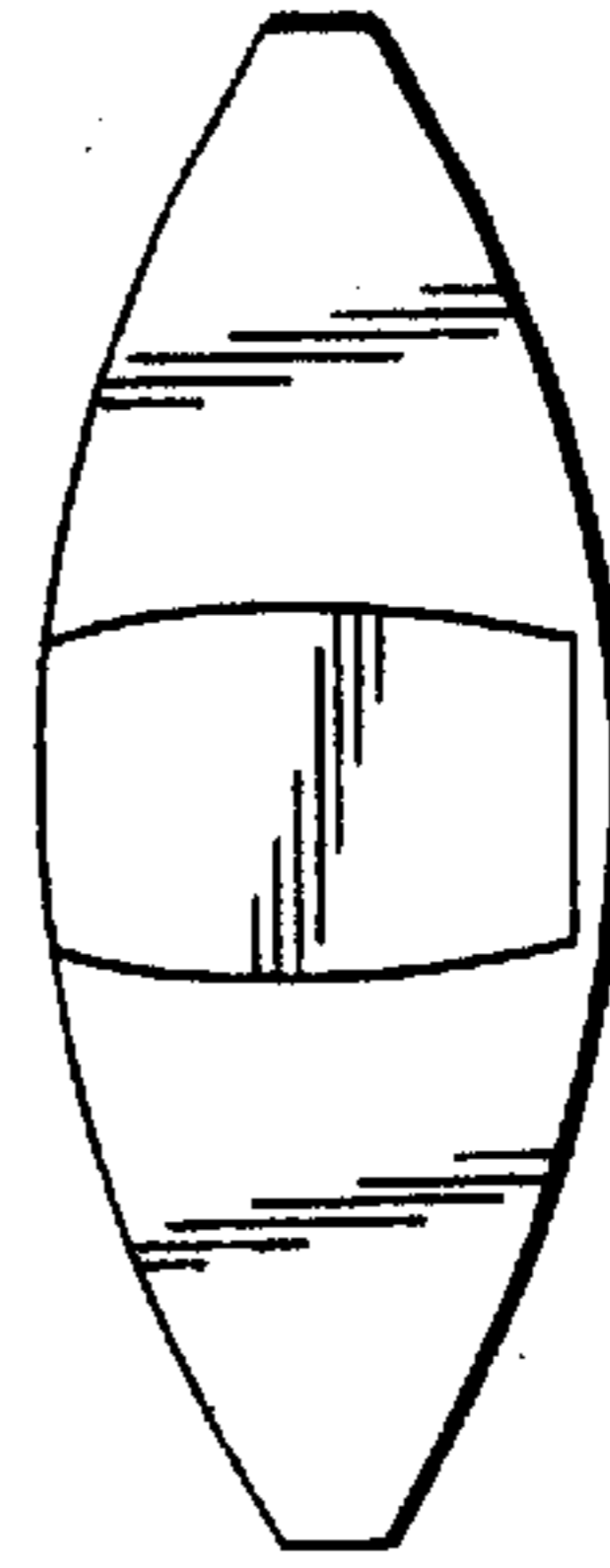


FIG. 6

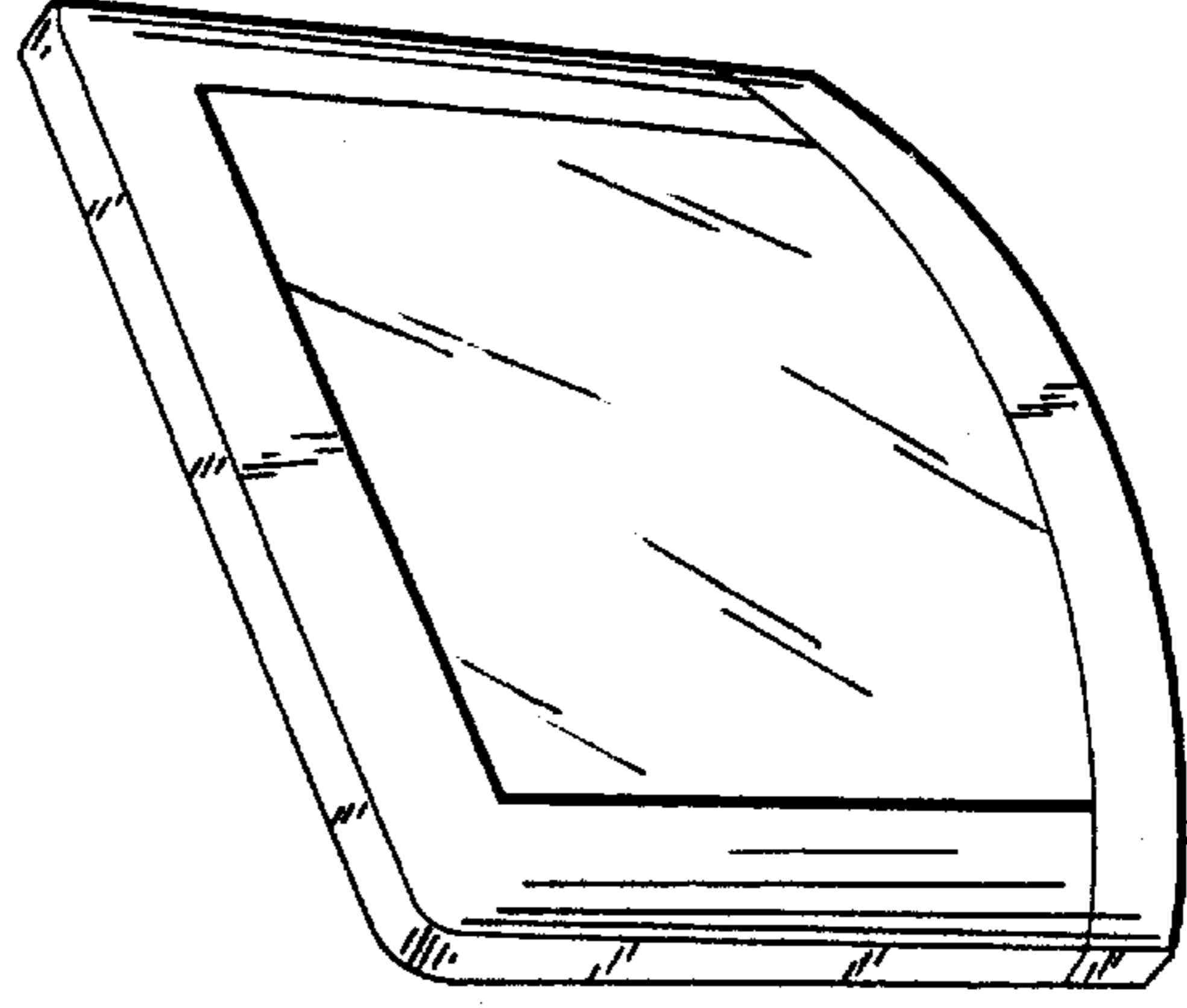


FIG. 7