



US00D467492S

(12) **United States Design Patent**
Wieder

(10) **Patent No.: US D467,492 S**

(45) **Date of Patent: ** Dec. 24, 2002**

(54) **RETAINER CLIP**

(75) Inventor: **Martin H. Wieder**, Watertown, WI (US)

(73) Assignee: **Martin Technology Group**, Watertown, WI (US)

(**) Term: **14 Years**

3,475,716 A	10/1969	Laig
3,881,753 A	5/1975	Bochory
3,894,758 A	7/1975	Smith
4,183,603 A	1/1980	Donarummo
4,204,738 A	5/1980	Tillotson
4,230,109 A	10/1980	Geiss
4,333,505 A	6/1982	Jones
4,340,244 A	7/1982	Scott
4,352,586 A	10/1982	Hayden
D270,797 S	* 10/1983	Marleau D8/373

(21) Appl. No.: **29/157,405**

(List continued on next page.)

(22) Filed: **Mar. 18, 2002**

FOREIGN PATENT DOCUMENTS

Related U.S. Application Data

(63) Continuation of application No. 09/225,788, filed on Jan. 5, 1999.

(51) **LOC (7) Cl. 08-05**

(52) **U.S. Cl. D8/356**

(58) **Field of Search** D6/512; D8/349, D8/354, 355, 356, 363, 364, 365, 373, 380, 382, 394, 395, 396; 24/326, 329, 339; 215/386; 248/312, 316.7, 317, 690; 285/114, 117; 439/369, 371

DE	27 11 360	9/1978
FR	1447347	6/1966
GB	432223	7/1935
GB	2205137 A	11/1988
GB	2253666 A	9/1992
GB	2274887 A	* 10/1994

Primary Examiner—Doris V. Coles
Assistant Examiner—Elizabeth A. Albert
(74) *Attorney, Agent, or Firm*—Timothy J. Ziolkowski; J. Mark Wilkinson

(56) **References Cited**

U.S. PATENT DOCUMENTS

721,577 A	2/1903	Lindner
,770,982 A	9/1904	Plassmann
,874,378 A	12/1907	Allen
,883,220 A	3/1908	Middlebrook
1,072,896 A	9/1913	Albee
1,290,433 A	* 1/1919	Walker 248/690
1,759,567 A	5/1930	Dibner
1,989,823 A	2/1935	Raabe
2,143,177 A	1/1939	Whyte
2,455,760 A	12/1948	Gustafson
2,461,427 A	2/1949	Kneebone
2,699,915 A	1/1955	Goepfrich
2,720,633 A	* 10/1955	Westerberg 439/369
2,753,536 A	7/1956	Tjader
2,774,049 A	12/1956	Kibler et al.
3,272,536 A	9/1966	Weinhold

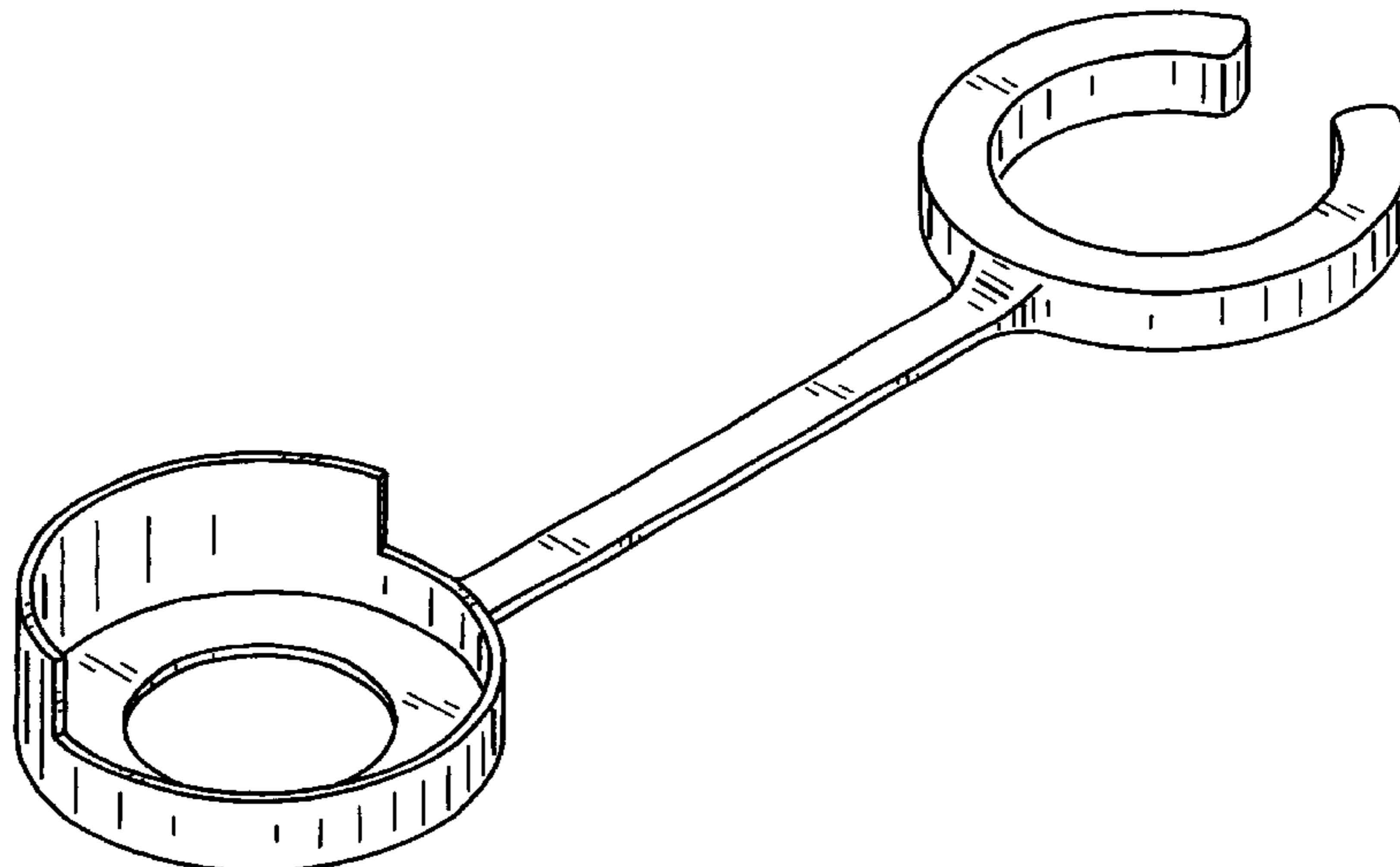
(57) **CLAIM**

The ornamental design for a retainer clip, as shown and described.

DESCRIPTION

FIG. 1 is a perspective view of a retainer clip showing our new design;
FIG. 2 is a front plan view of the design of FIG. 1;
FIG. 3 is a rear plan view of the design of FIG. 1;
FIG. 4 is a left side view of the design of FIG. 1;
FIG. 5 is a bottom plan view of the design of FIG. 1;
FIG. 6 is a right side view of the design of FIG. 1;
FIG. 7 is a top plan view of the design of FIG. 1; and,
FIG. 8 is a left side view of the retainer clip of FIG. 1 in operation with a quick connect coupler.
The broken lines shown in FIG. 8 are for illustrative purposes only and form no part of the claimed design.

1 Claim, 3 Drawing Sheets



US D467,492 S

Page 2

U.S. PATENT DOCUMENTS

4,664,463 A	5/1987	Carmo		5,293,913 A	3/1994	Preszler	
D291,650 S *	9/1987	Monzen	D8/396	5,366,259 A	11/1994	Hohmann	
4,741,590 A	5/1988	Caron		5,395,140 A	3/1995	Wiethorn	
4,796,925 A *	1/1989	Zwicker	285/114	5,401,063 A	3/1995	Plosz	
4,826,486 A	5/1989	Palsrok et al.		5,423,775 A	6/1995	Cannon	
4,913,468 A	4/1990	Rattmann		5,437,483 A	8/1995	Umezawa	
5,016,922 A	5/1991	Le Mer et al.		D371,508 S *	7/1996	Sagol	D8/396
5,060,689 A	10/1991	Csaszar et al.		5,558,236 A *	9/1996	Williams et al.	248/312
5,066,049 A	11/1991	Staples		5,695,223 A	12/1997	Boticki	
5,152,555 A	10/1992	Szabo		5,766,032 A	6/1998	LaPointe	
5,248,306 A	9/1993	Clark et al.		5,803,509 A	9/1998	Adams	
5,284,369 A	2/1994	Kitamura		5,904,221 A	5/1999	Breitweg et al.	

* cited by examiner

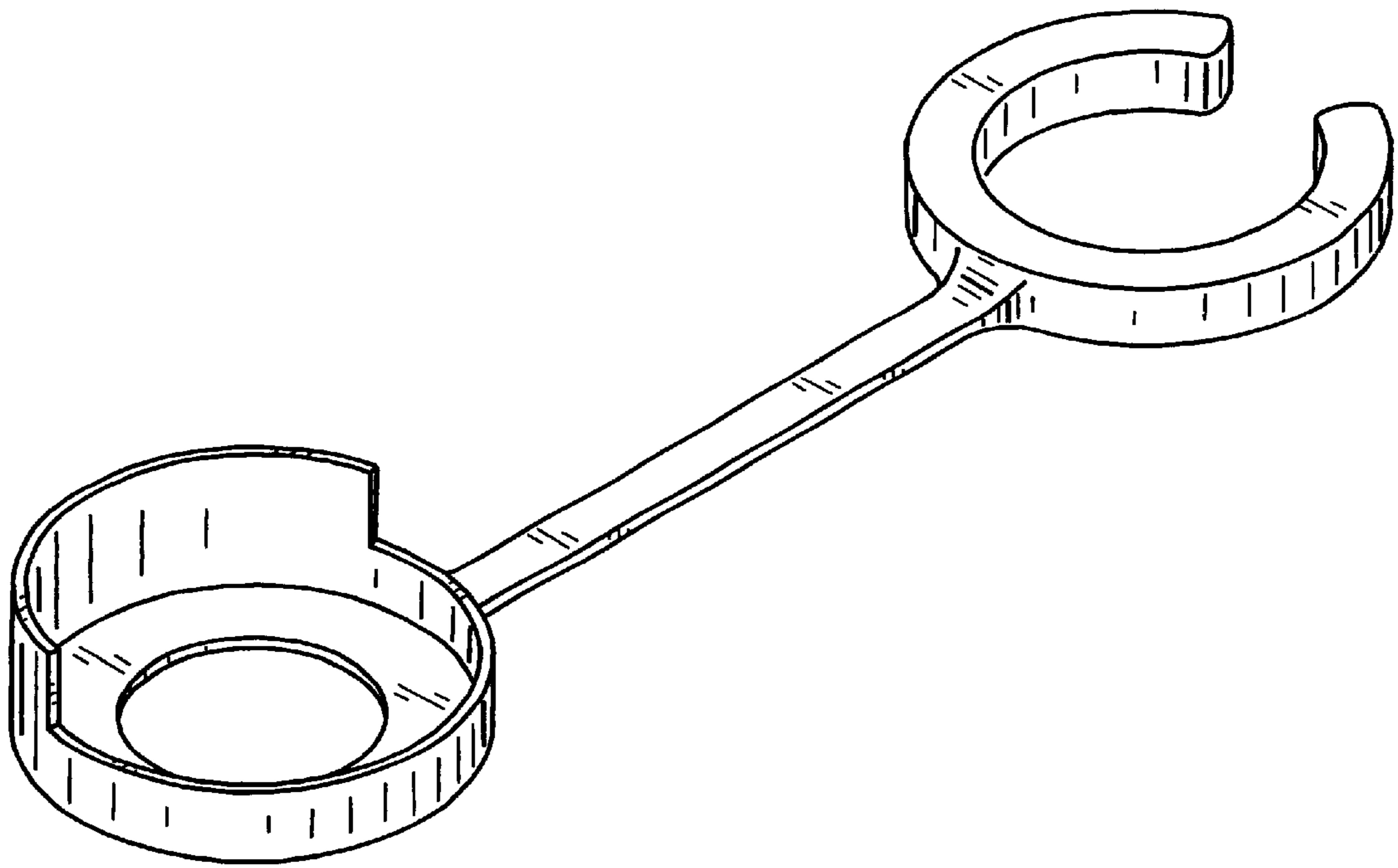


FIG. 1

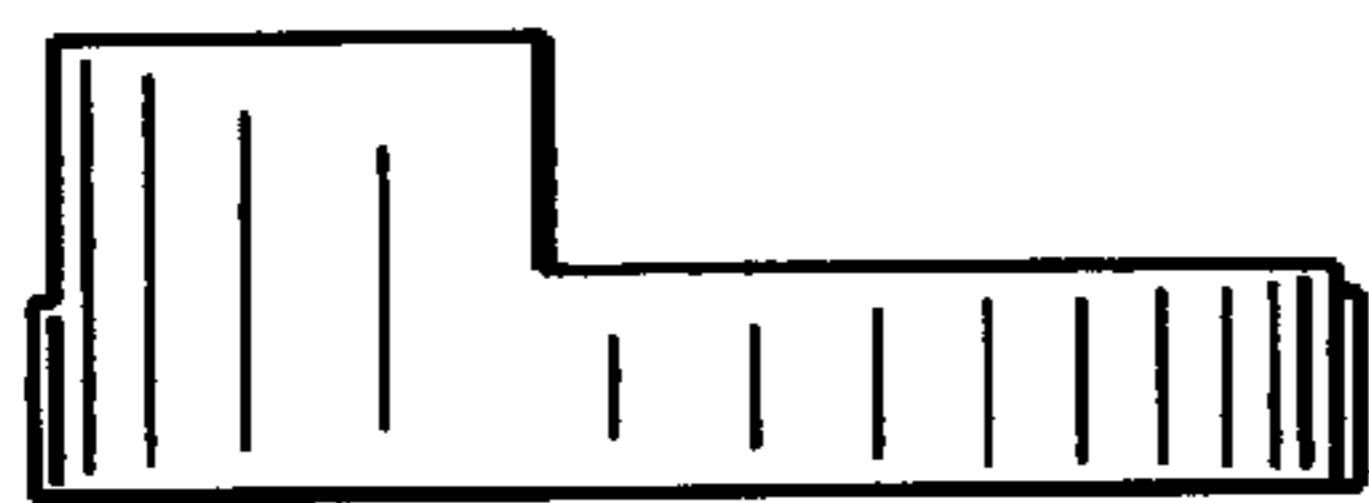


FIG. 2

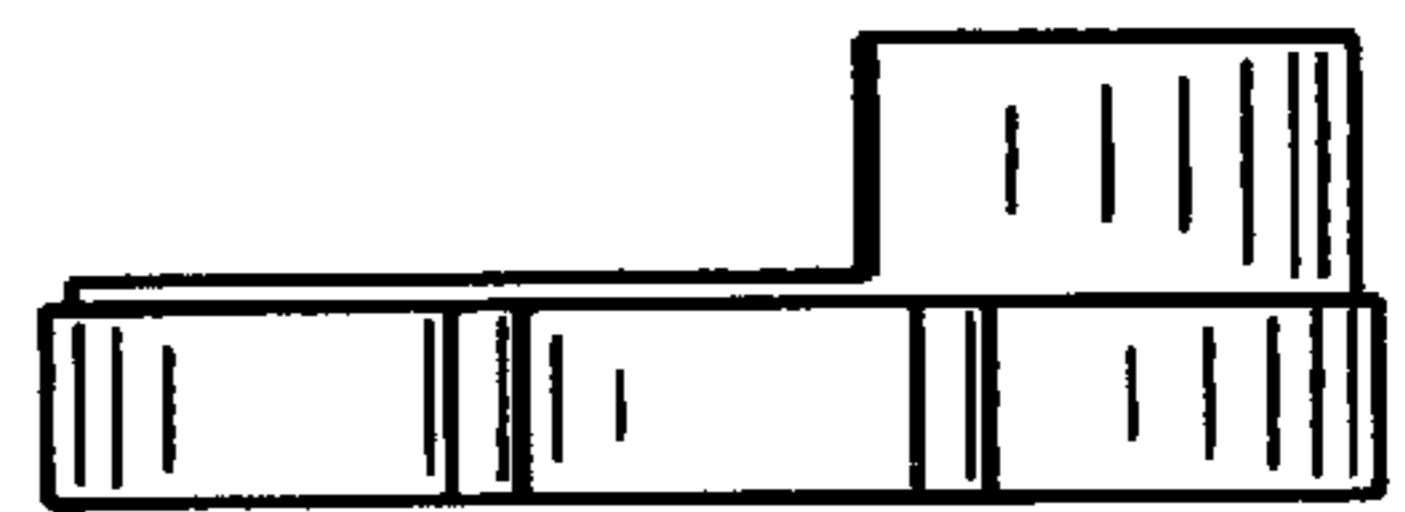


FIG. 3



FIG. 4

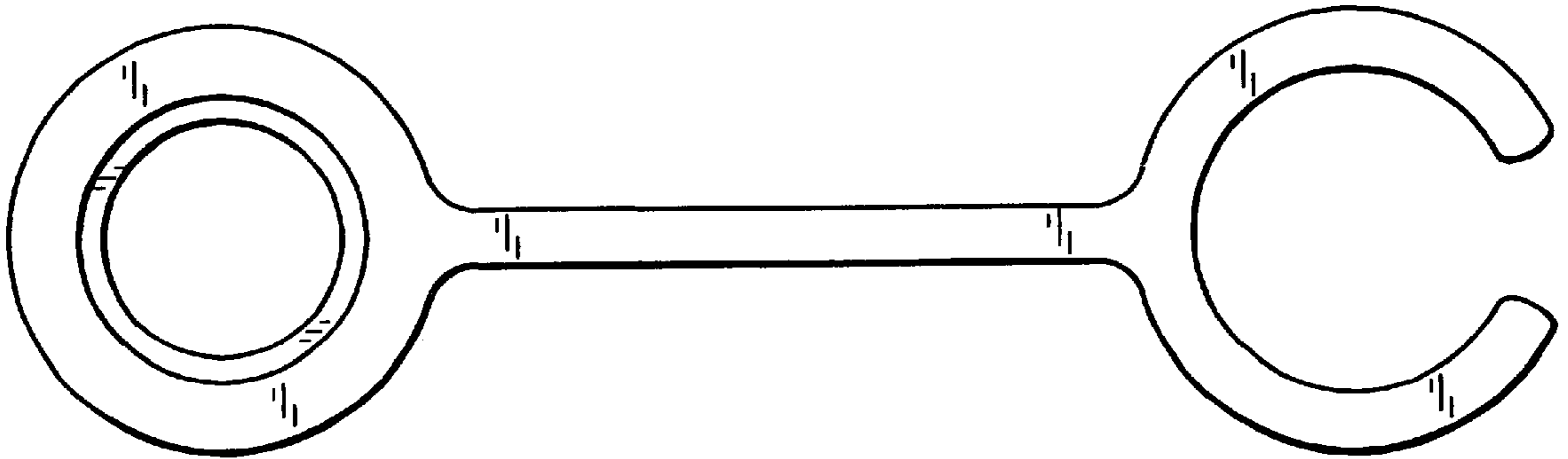


FIG. 5

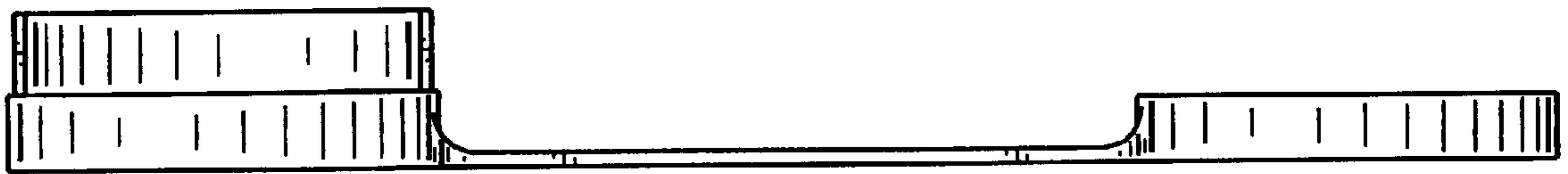


FIG. 6

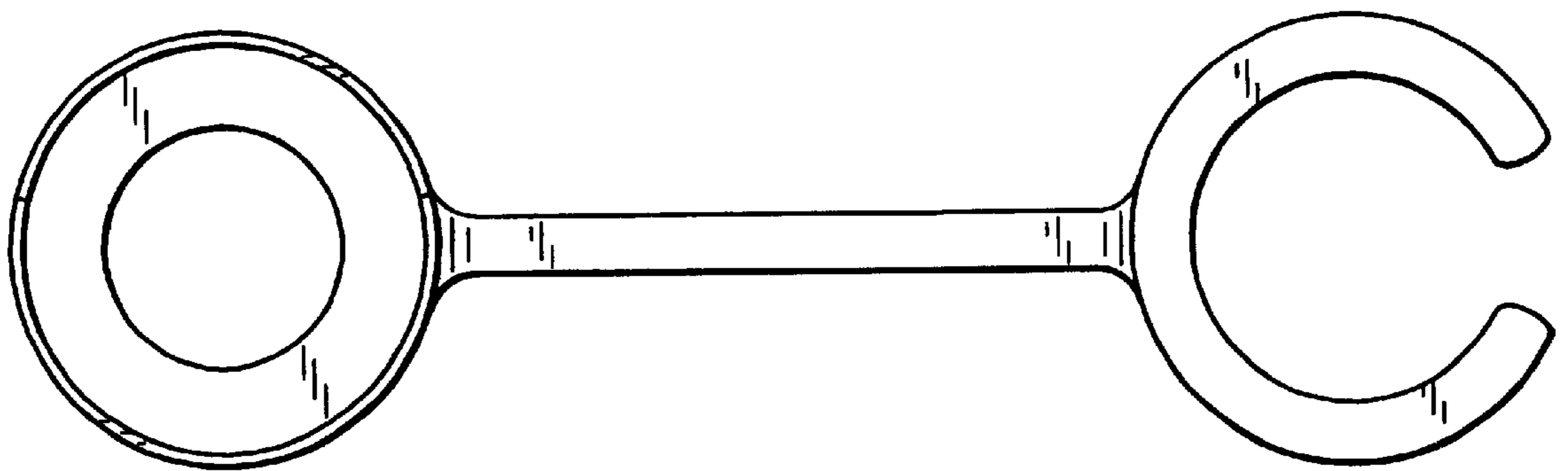


FIG. 7

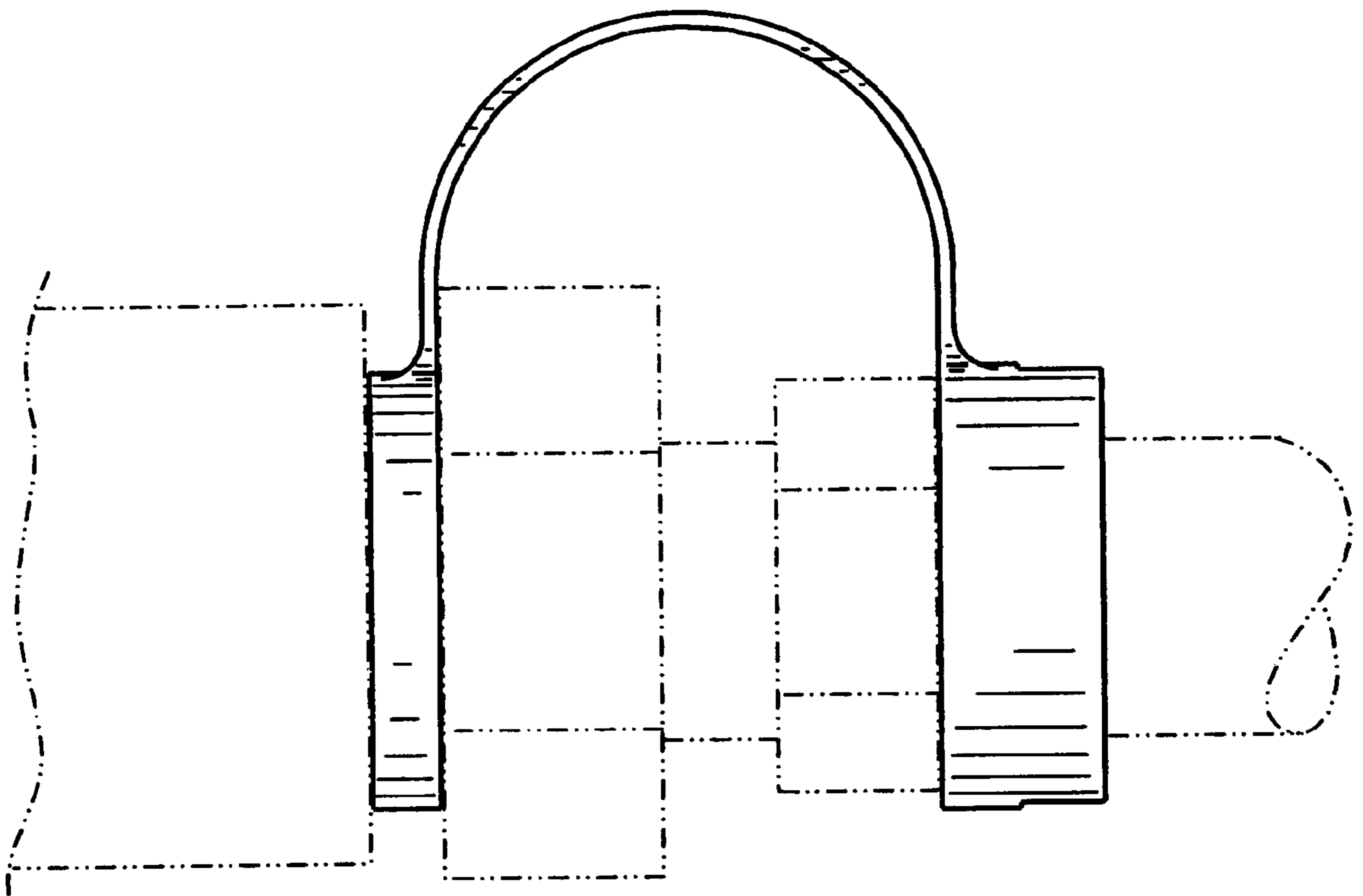


FIG. 8