

US00D467490S

(12) **United States Design Patent**
Uken et al.

(10) **Patent No.:** **US D467,490 S**

(45) **Date of Patent:** **** Dec. 24, 2002**

(54) **T-LOCK FOR A PIVOTABLE WINDOW**

(75) Inventors: **Stuart J. Uken**, Sioux Falls, SD (US);
Gary R. Newman, Valley Springs, SD
(US); **Lawrence J. VerSteeg**, Sioux
Falls, SD (US)

(73) Assignee: **Amesbury Group, Inc.**, Amesbury, MA
(US)

(**) Term: **14 Years**

(21) Appl. No.: **29/147,437**

(22) Filed: **Aug. 29, 2001**

(51) **LOC (7) Cl.** **08-07**

(52) **U.S. Cl.** **D8/331**

(58) **Field of Search** 49/176, 181, 449,
49/445; D8/330, 331, 336, 338, 343; 16/197

(56) **References Cited**

U.S. PATENT DOCUMENTS

3,105,576 A	10/1963	Jones et al.	189/65
3,461,608 A	8/1969	Johnson	49/161
3,529,381 A	9/1970	Grossman	49/183
4,028,849 A	6/1977	Anderson	49/181
5,069,001 A	12/1991	Makarowski	49/176
5,140,769 A	8/1992	Hickson et al.	49/186
5,371,971 A	12/1994	Prete	49/380
D355,262 S	2/1995	Chaney et al.	D25/52
5,566,507 A	* 10/1996	Schmidt et al.	49/445 X
5,697,188 A	12/1997	Fullick et al.	49/181
5,704,165 A	1/1998	Slocomb et al.	49/181
5,737,877 A	4/1998	Meunier et al.	49/445
5,829,196 A	11/1998	Maier	49/181
5,927,013 A	7/1999	Slocomb et al.	49/181
5,943,822 A	8/1999	Slocomb et al.	49/181
6,041,550 A	3/2000	Tix	49/404
6,058,653 A	5/2000	Slocomb et al.	49/181

6,119,398 A	9/2000	Yates, Jr.	49/181
D434,637 S	12/2000	Habeck et al.	D8/349
6,161,335 A	12/2000	Beard et al.	49/181
6,226,923 B1	5/2001	Hicks et al.	49/196

OTHER PUBLICATIONS

Heinberg, "Latest Trends in Window and Door Hardware," Shelter Magazine, Jul. 2001 (cover and p. 11).
Dakota Balance—Balances and Accessories brochure, May 2001 (1 pg., double-sided).
Balance Systems—BSI Amesbury Group, Inc. Crossbow Balance Advertisement dated Jun. 7, 1999 (2 pgs.).
Color Photographs of the Crossbow Balance Component shown in C3 (7 views; 3pgs.).

* cited by examiner

Primary Examiner—Jennifer Rivard
(74) *Attorney, Agent, or Firm*—Testa, Hurwitz & Thibault, LLP

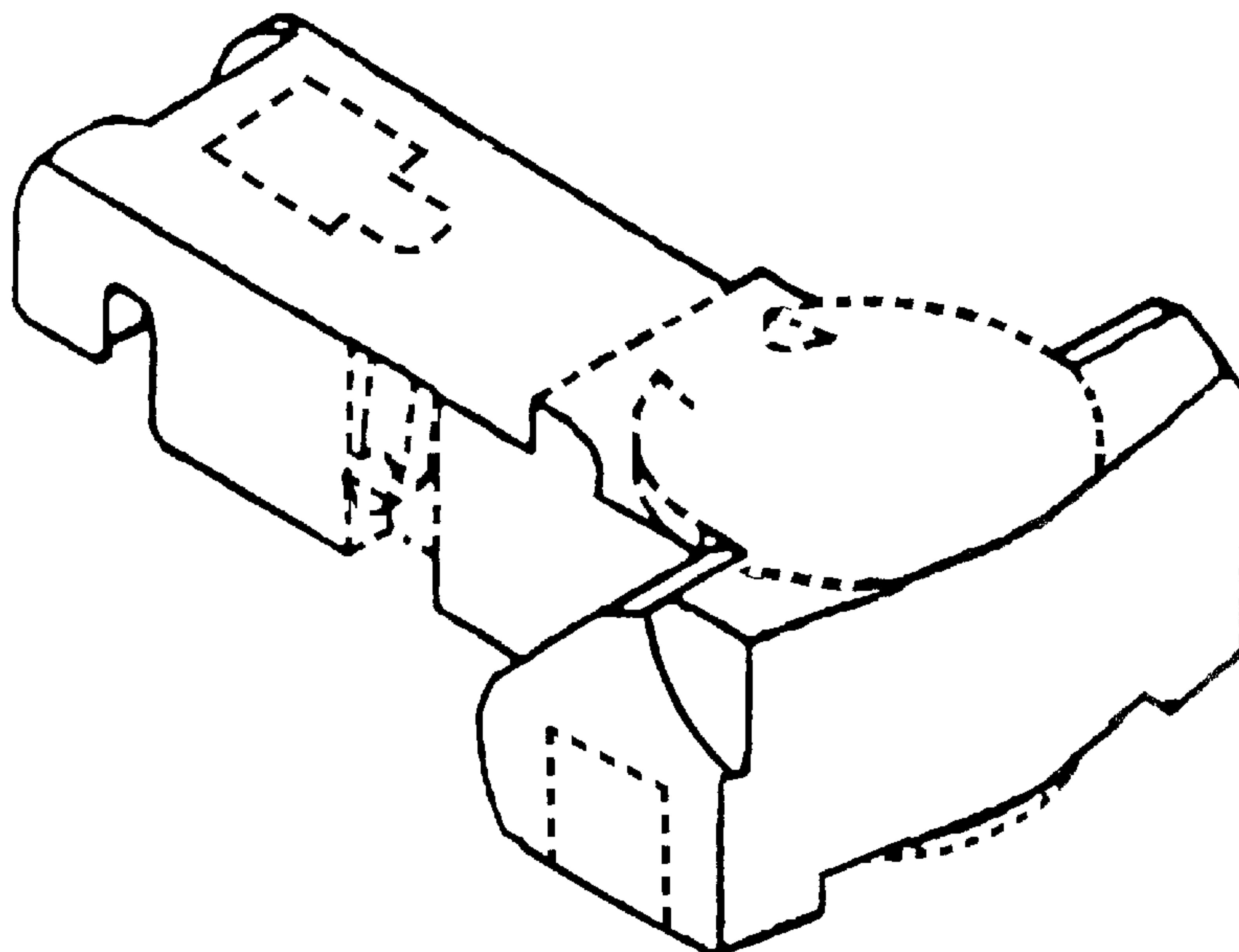
(57) **CLAIM**

The ornamental design for a T-lock for a pivotable window, as shown and described.

DESCRIPTION

FIG. 1 is a perspective view of the T-lock for a pivotable window. The dotted portions of the T-lock do not form part of the design sought to be patented and are shown for illustrative purposes only;
FIG. 2 is a front view thereof;
FIG. 3 is a rear view thereof;
FIG. 4 is a top view thereof;
FIG. 5 is a left view thereof;
FIG. 6 is a right view thereof; and,
FIG. 7 is a bottom view thereof.

1 Claim, 3 Drawing Sheets



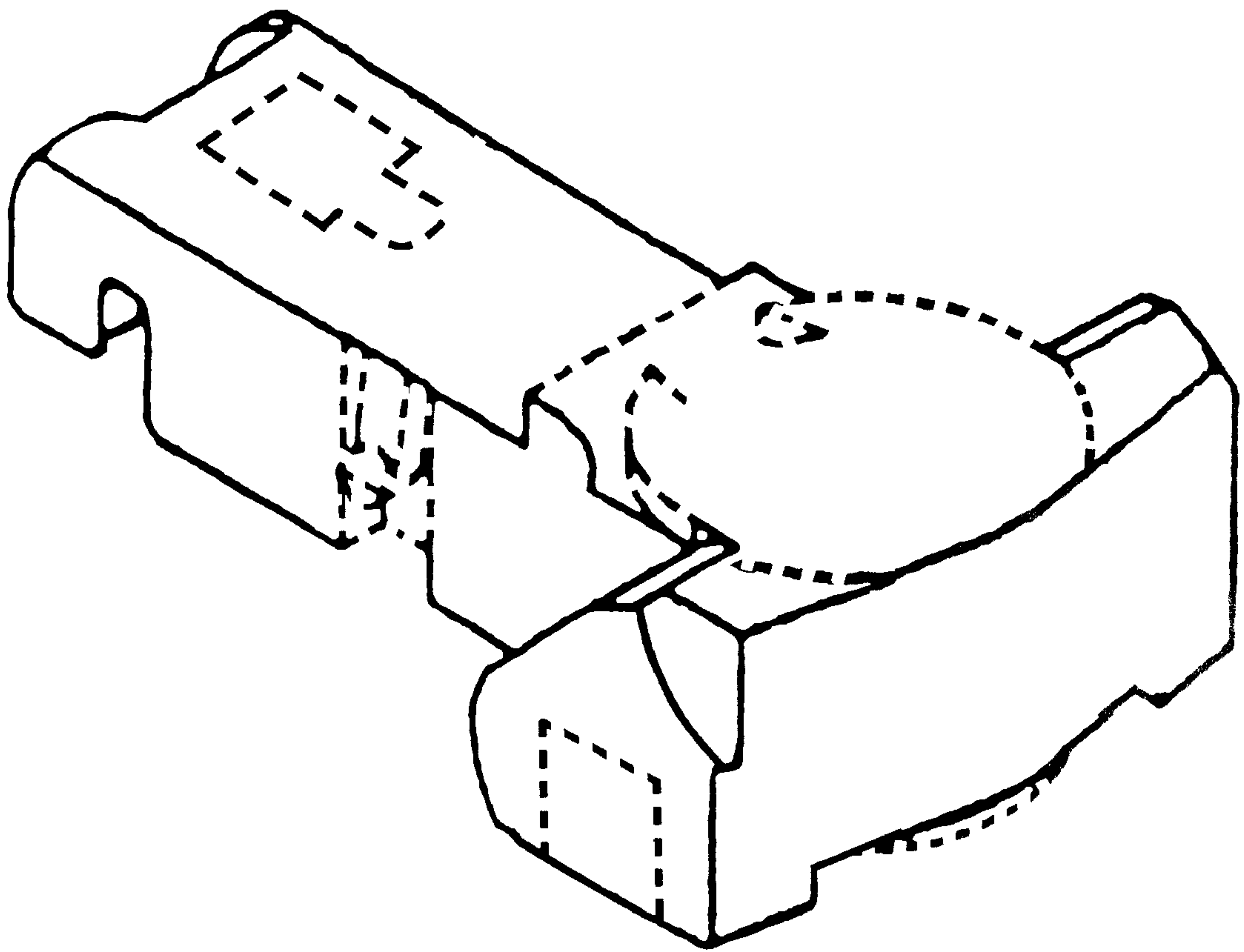


FIG. 1

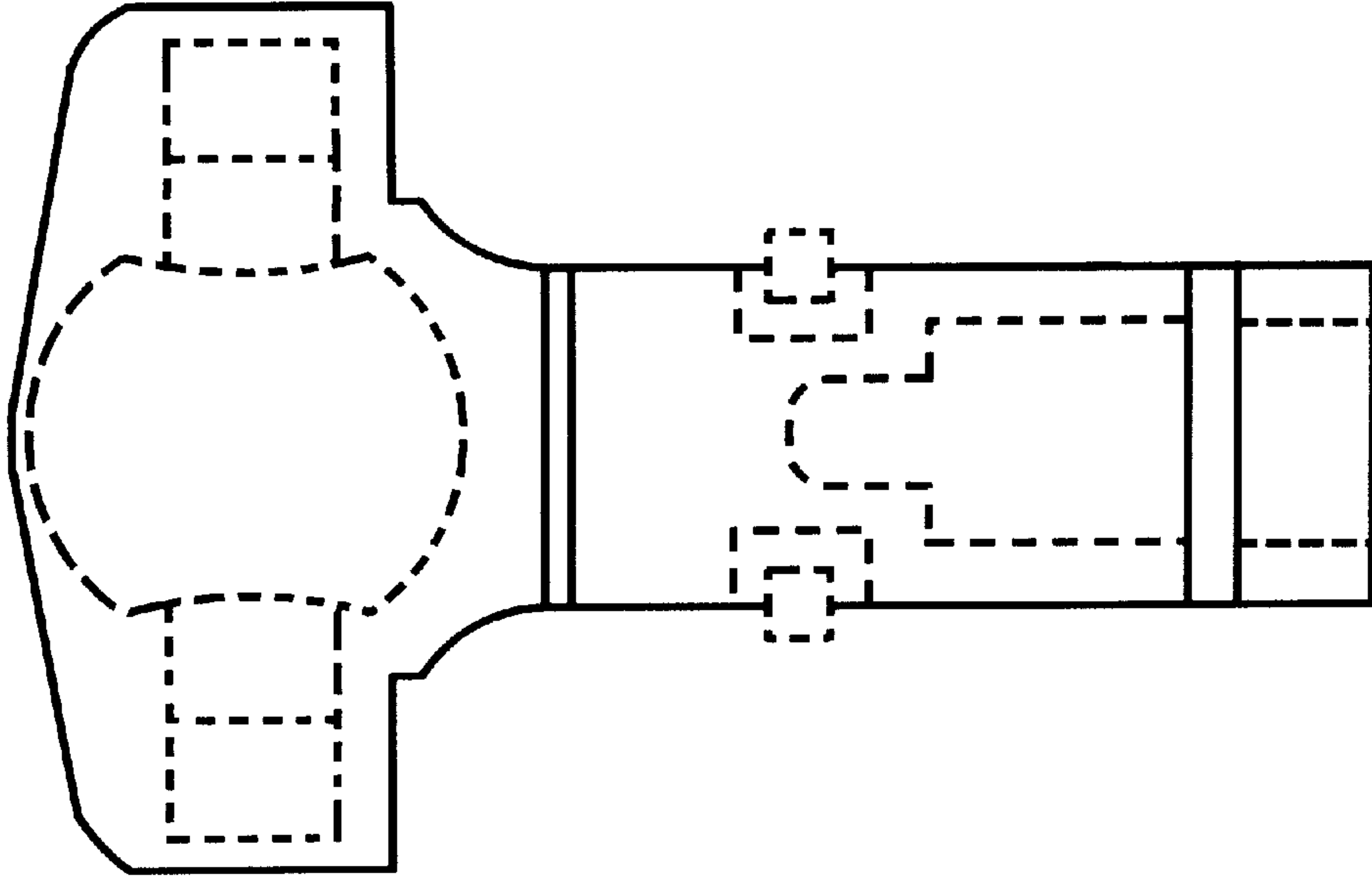


FIG. 3

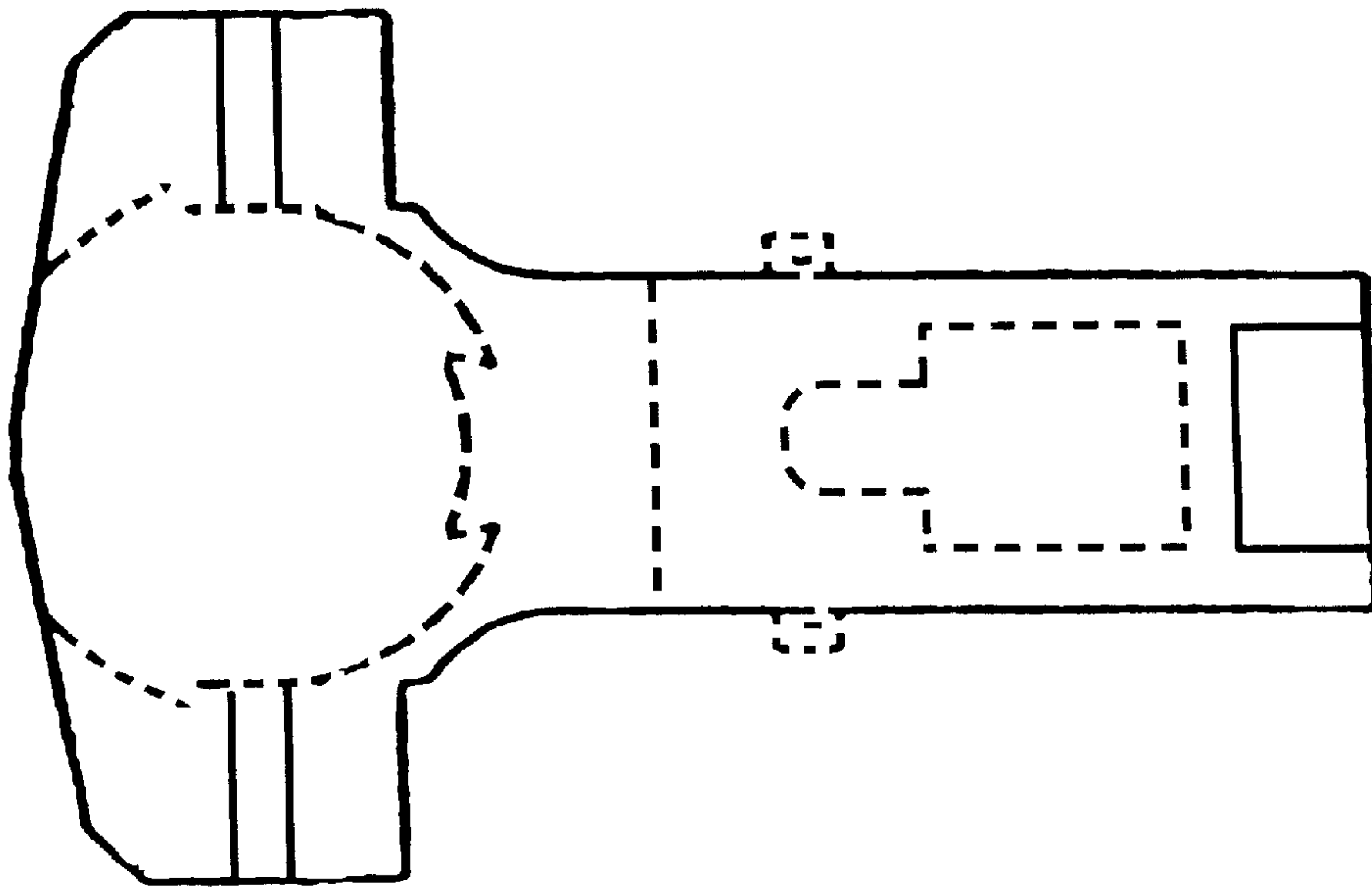


FIG. 2

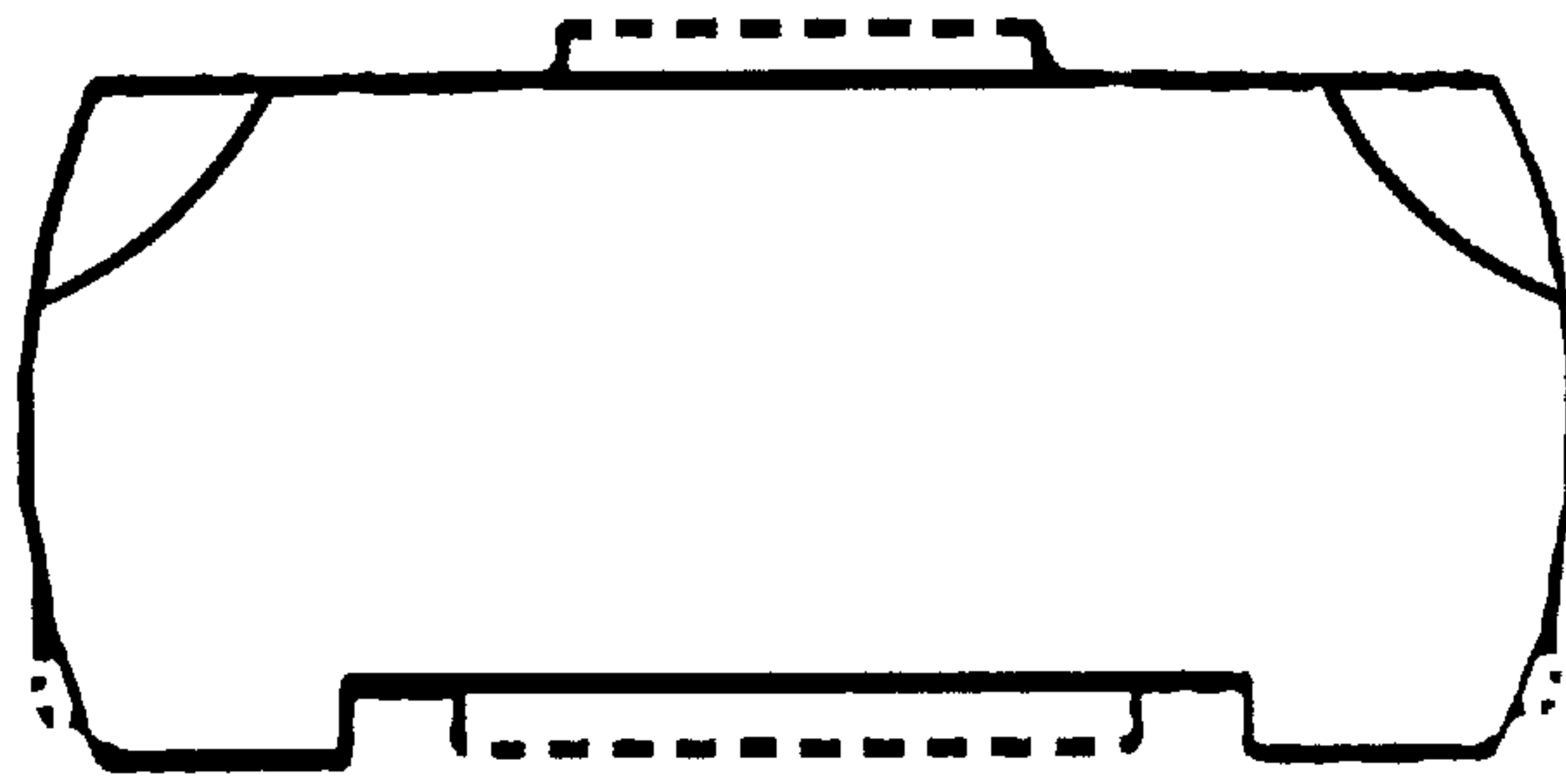


FIG. 4

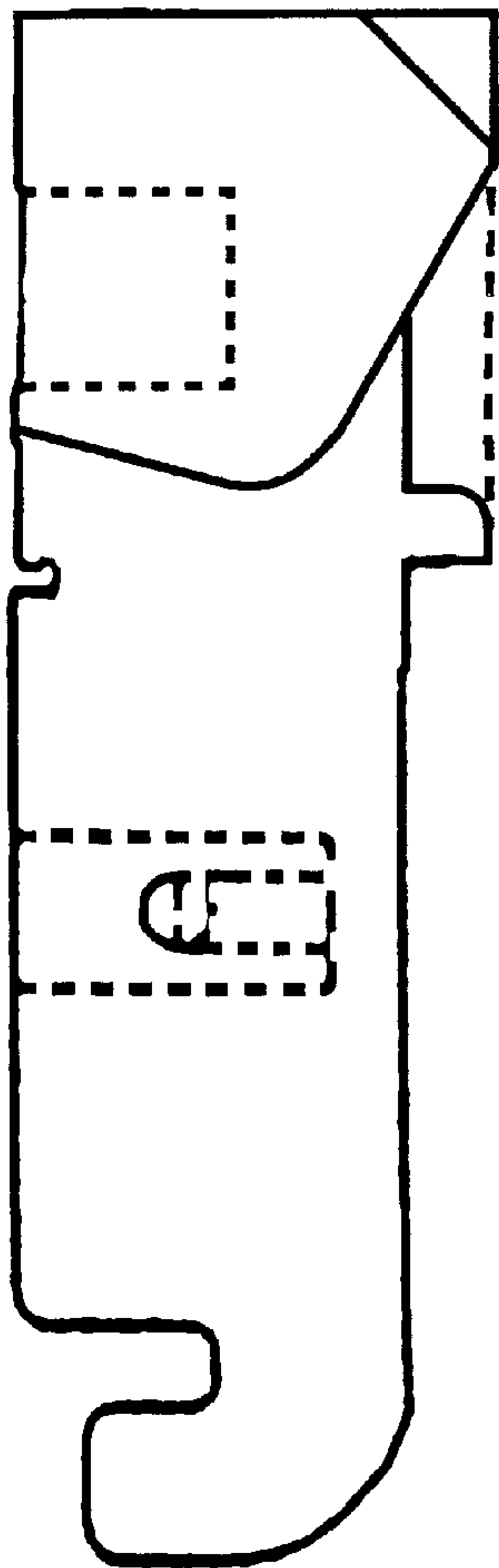


FIG. 5

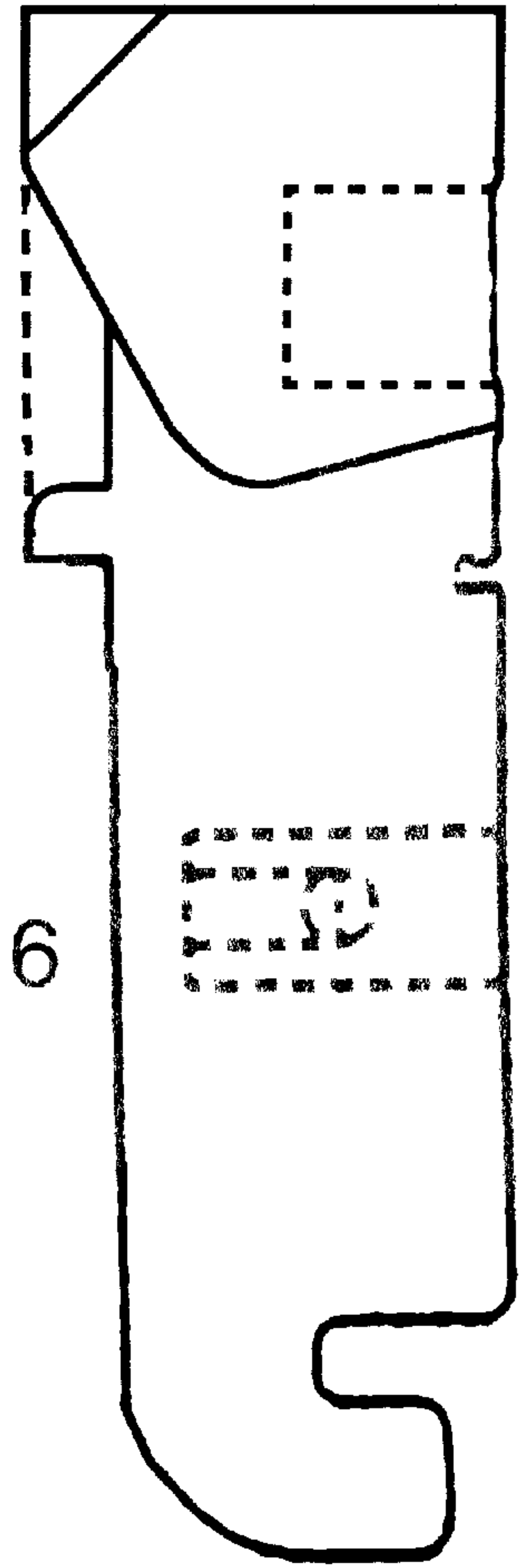


FIG. 6

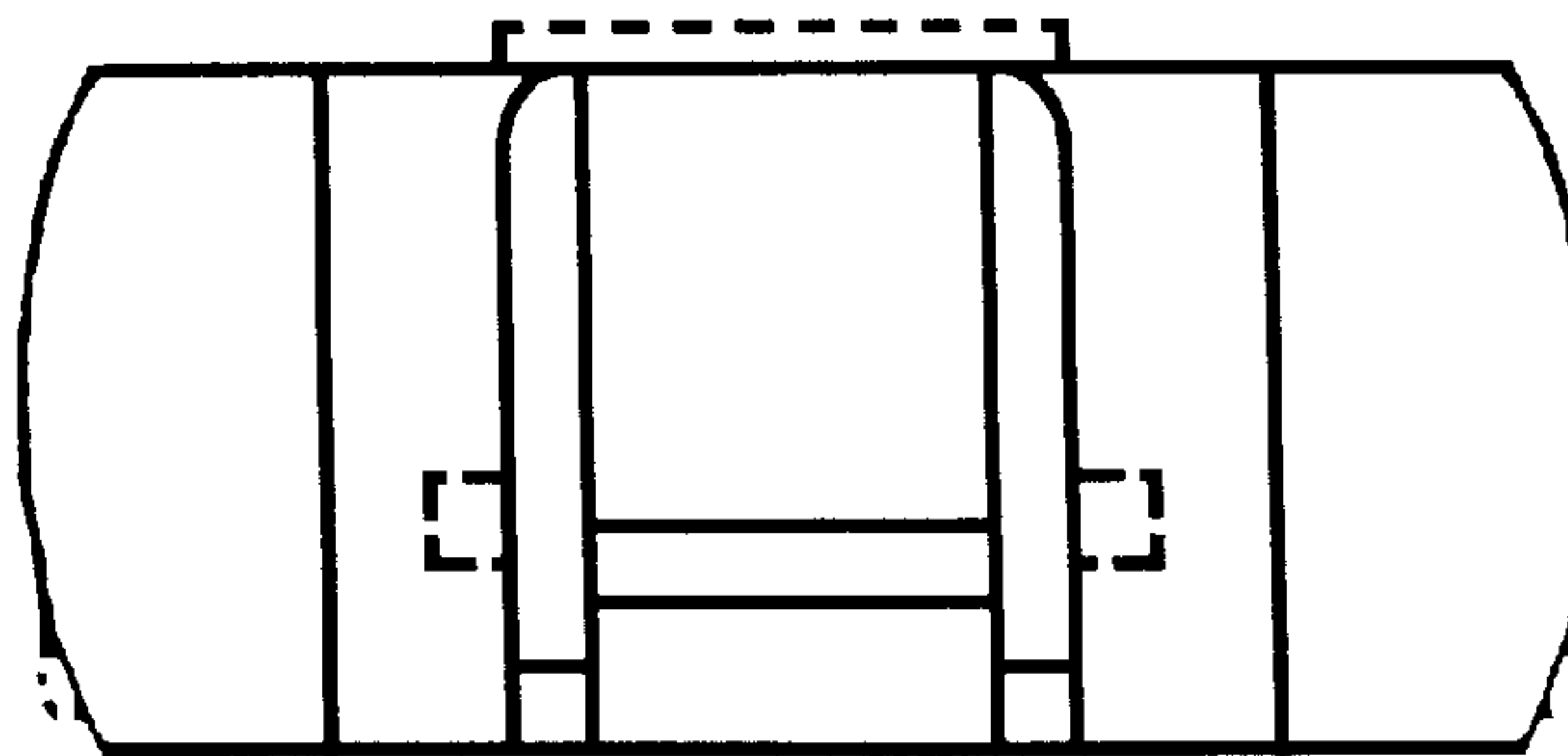


FIG. 7