



US00D467489S

(12) **United States Design Patent**  
**Rubinson**

(10) **Patent No.:** **US D467,489 S**

(45) **Date of Patent:** **\*\* Dec. 24, 2002**

(54) **KNOB**

(74) *Attorney, Agent, or Firm*—Frijouf, Rust & Pyle, P.A.

(75) **Inventor:** **Elliott P. Rubinson**, Clearwater, FL (US)

(57) **CLAIM**

The ornamental design for a knob, as shown and described.

(73) **Assignee:** **Concordia Investment Partners, Inc.**, Clearwater, FL (US)

**DESCRIPTION**

(\*\*) **Term:** **14 Years**

(21) **Appl. No.:** **29/139,275**

(22) **Filed:** **Mar. 28, 2001**

(51) **LOC (7) Cl.** ..... **08-06**

(52) **U.S. Cl.** ..... **D8/310**

(58) **Field of Search** ..... D8/310–312; 16/110.1, 16/414, 417, 433, 441; 116/309

FIG. 1 is a top isometric view of my new design for a knob;

FIG. 2 is a bottom isometric view thereof;

FIG. 3 is a sectional view of a top portion of the knob of FIG. 1;

FIG. 4 is a sectional view of the base portion of the knob of FIG. 1, shown separately for ease of illustration;

FIG. 5 is a top view of FIG. 3;

FIG. 6 is a side view of FIG. 3 with the remaining side views being identical thereto;

FIG. 7 is a bottom view of FIG. 3;

FIG. 8 is a top view of FIG. 4;

FIG. 9 is a side view of FIG. 4 with the remaining side views being identical thereto;

FIG. 10 is a bottom view of FIG. 4;

FIG. 11 is a sectional view along line 11—11 in FIG. 5; and,

FIG. 12 is a sectional view along line 12—12 in FIG. 8.

FIGS. 5–12 are shown on a reduced scale.

(56) **References Cited**

**U.S. PATENT DOCUMENTS**

|             |   |         |                |       |        |
|-------------|---|---------|----------------|-------|--------|
| D57,098 S   | * | 2/1921  | Anderson       | ..... | D8/310 |
| D149,191 S  | * | 4/1948  | Krause         | ..... | D8/310 |
| 4,499,630 A | * | 2/1985  | Harris et al.  | ..... | 16/441 |
| D298,731 S  | * | 11/1988 | Cook           | ..... | D8/310 |
| D299,160 S  | * | 12/1988 | Lathrop        | ..... | D8/310 |
| D435,425 S  | * | 12/2000 | Roesler et al. | ..... | D8/310 |

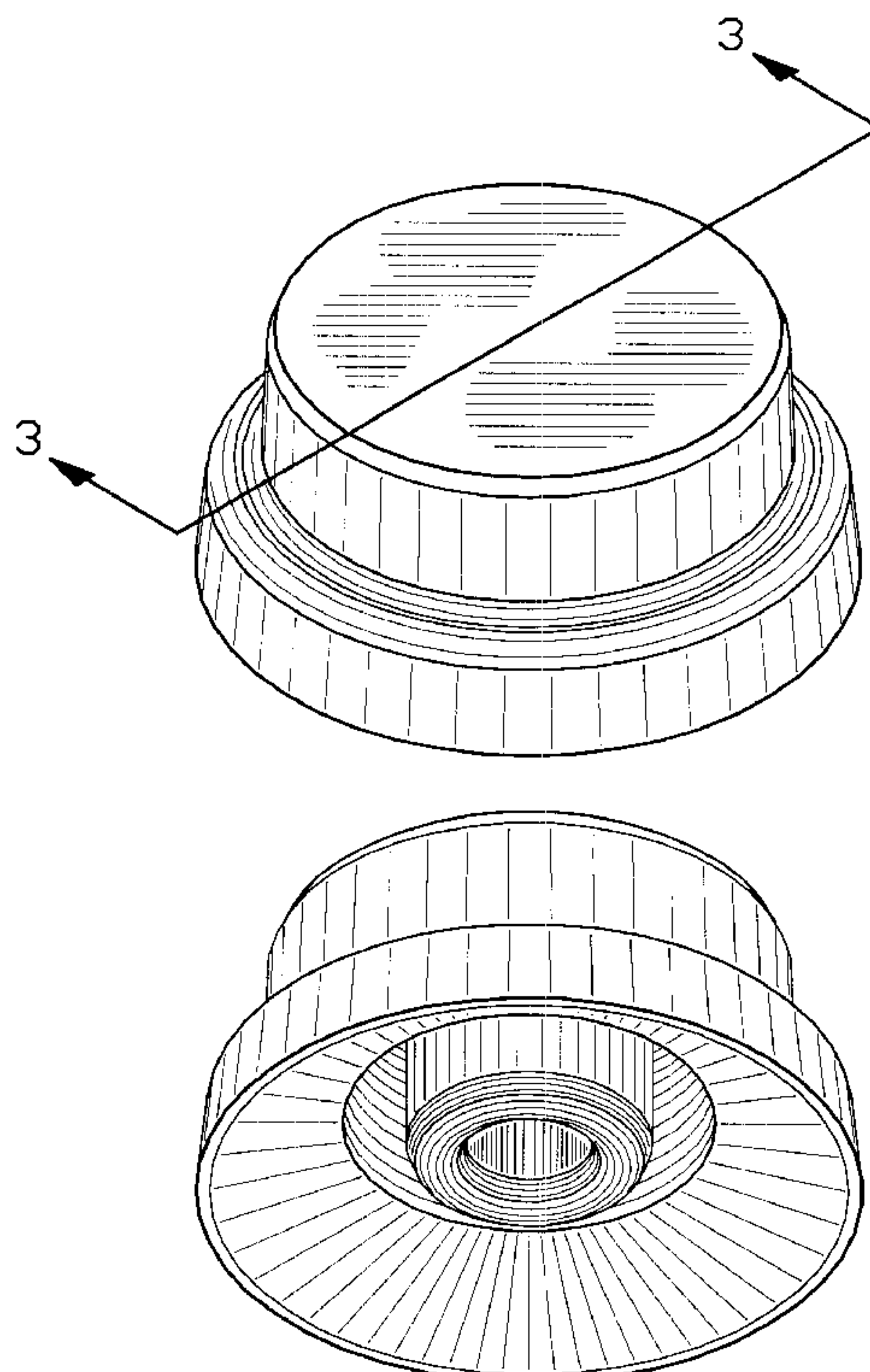
**OTHER PUBLICATIONS**

AICO Plastic Catalog; p. 12; knob B984.\*

\* cited by examiner

*Primary Examiner*—B. J. Bullock

**1 Claim, 5 Drawing Sheets**



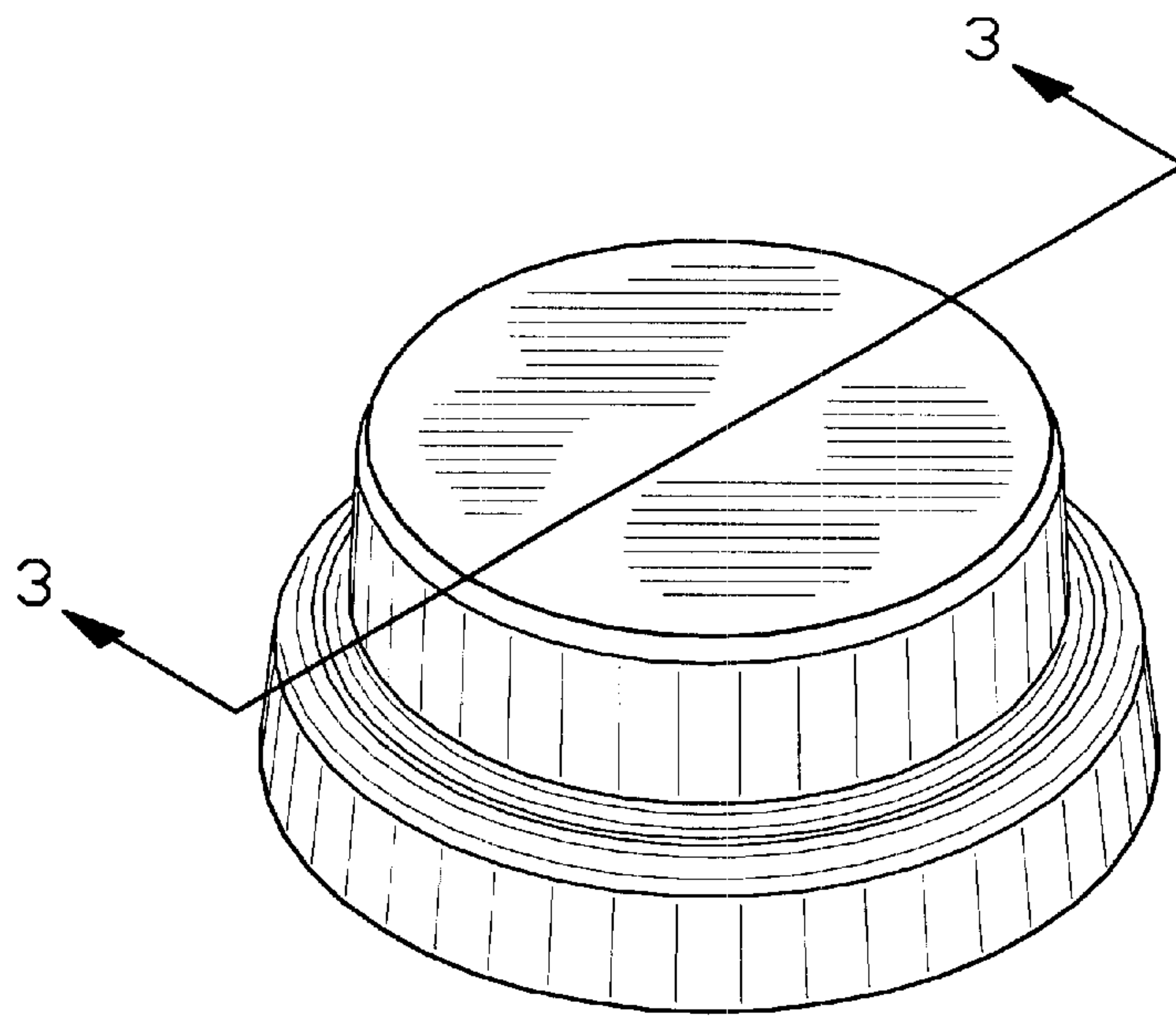


FIG. 1

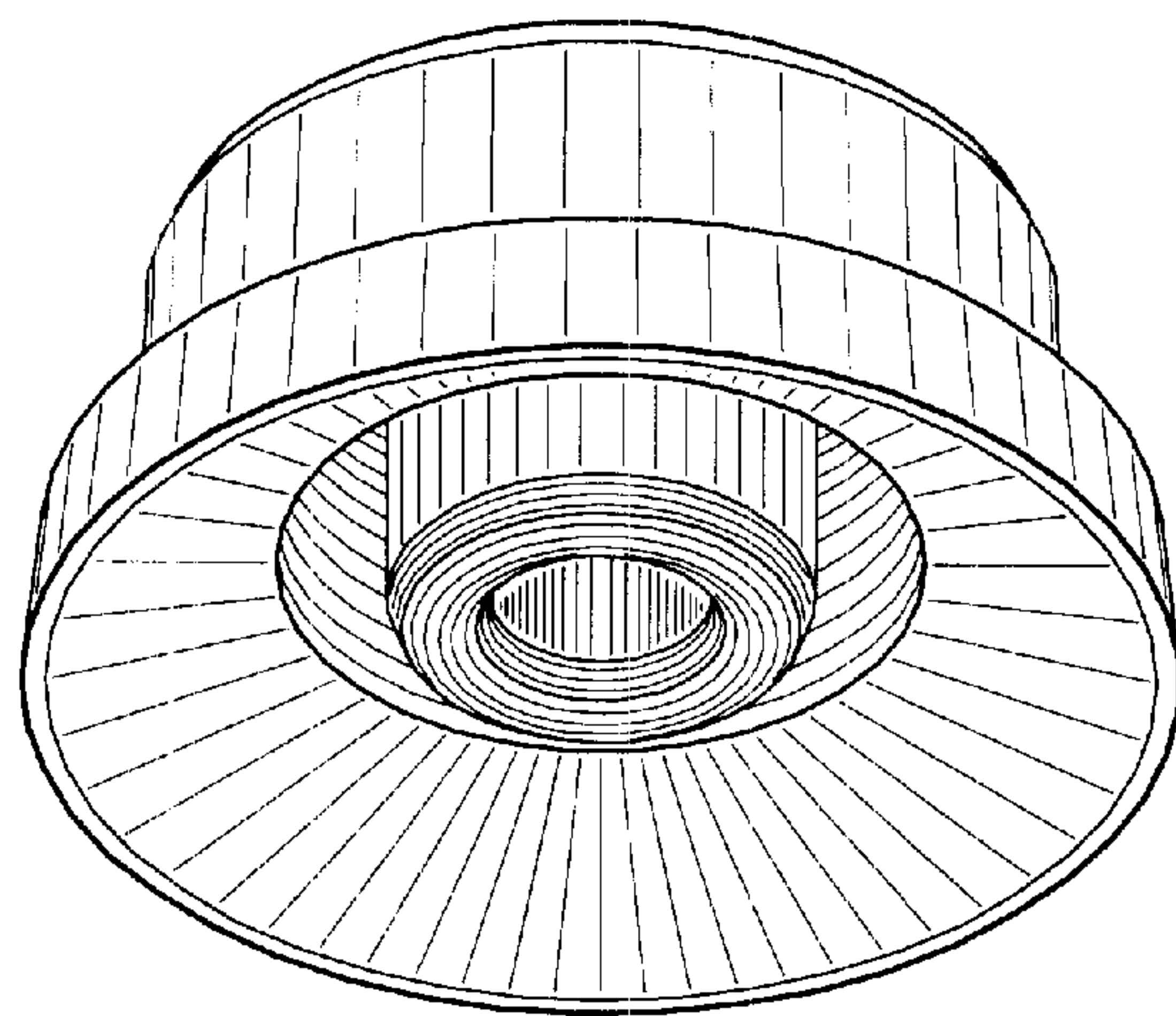


FIG. 2

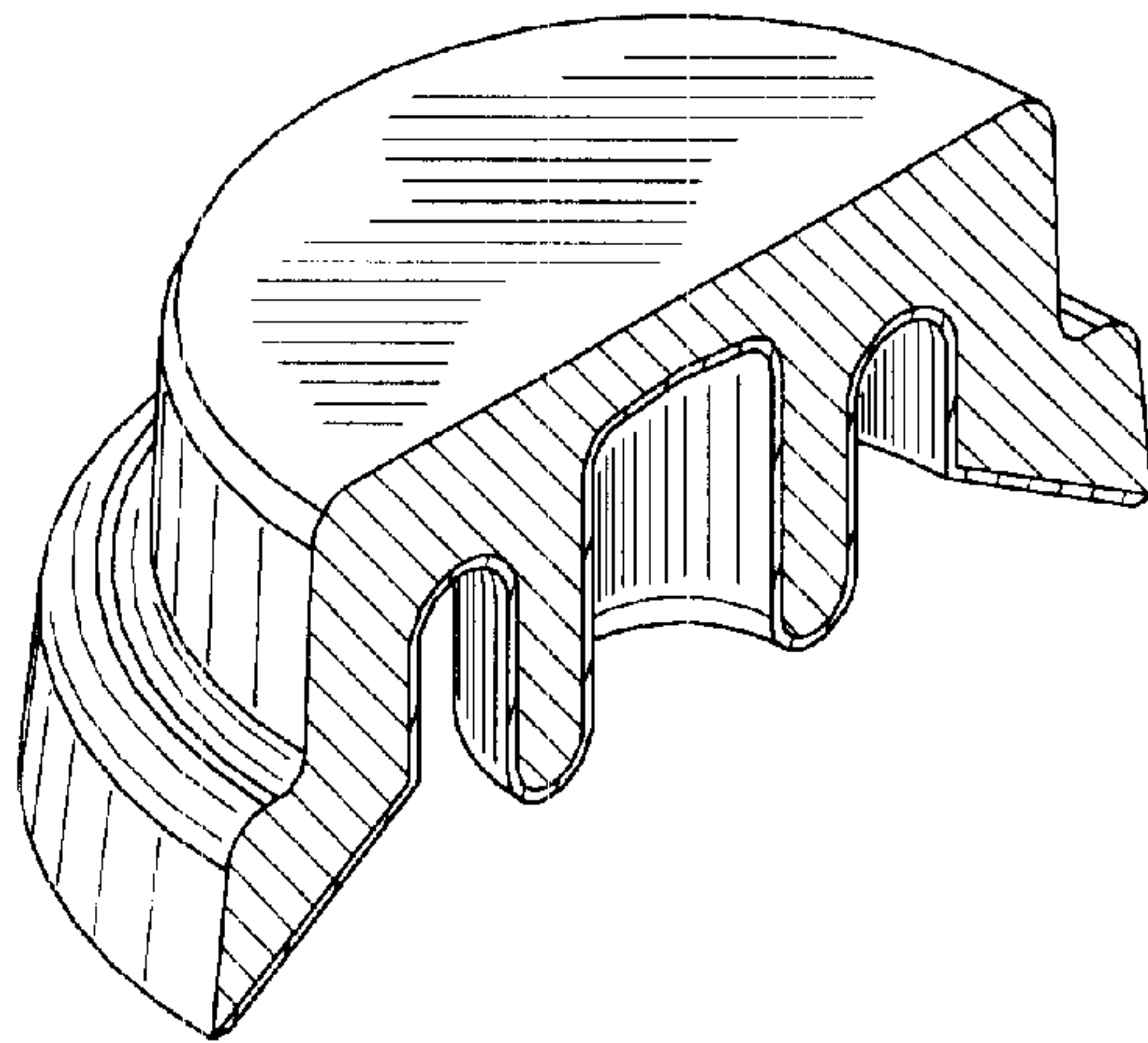


FIG. 3

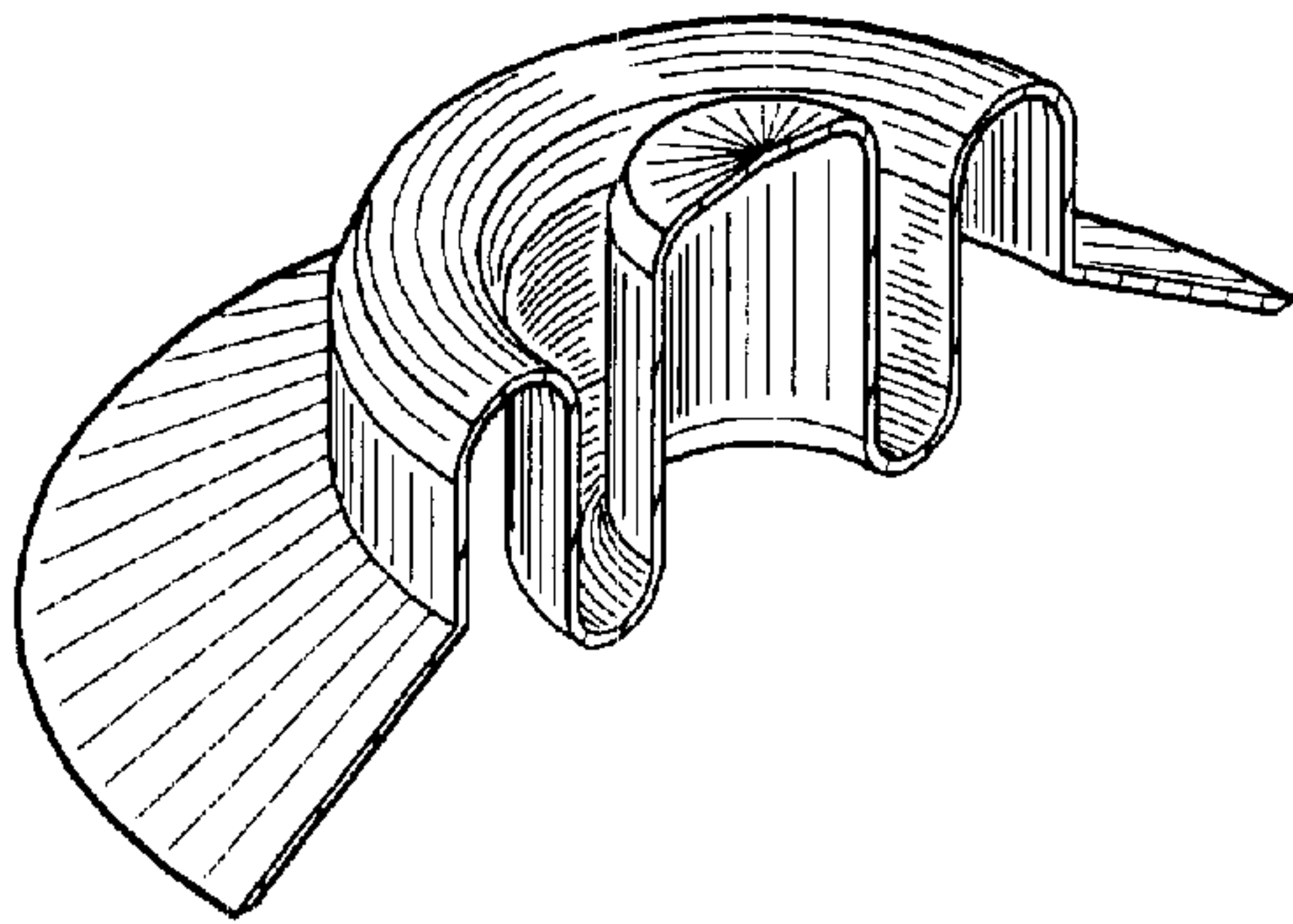


FIG. 4

FIG. 5

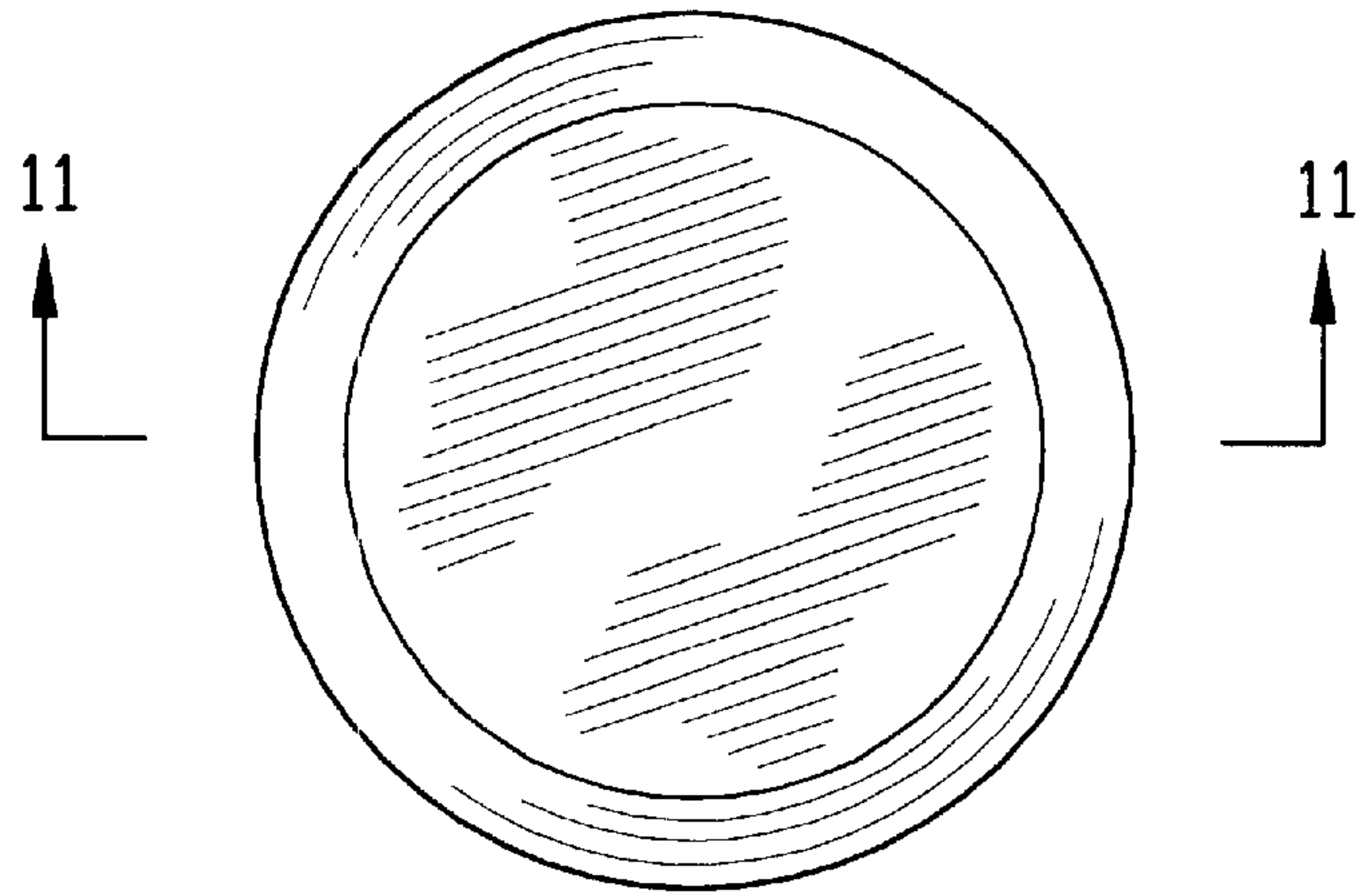


FIG. 6

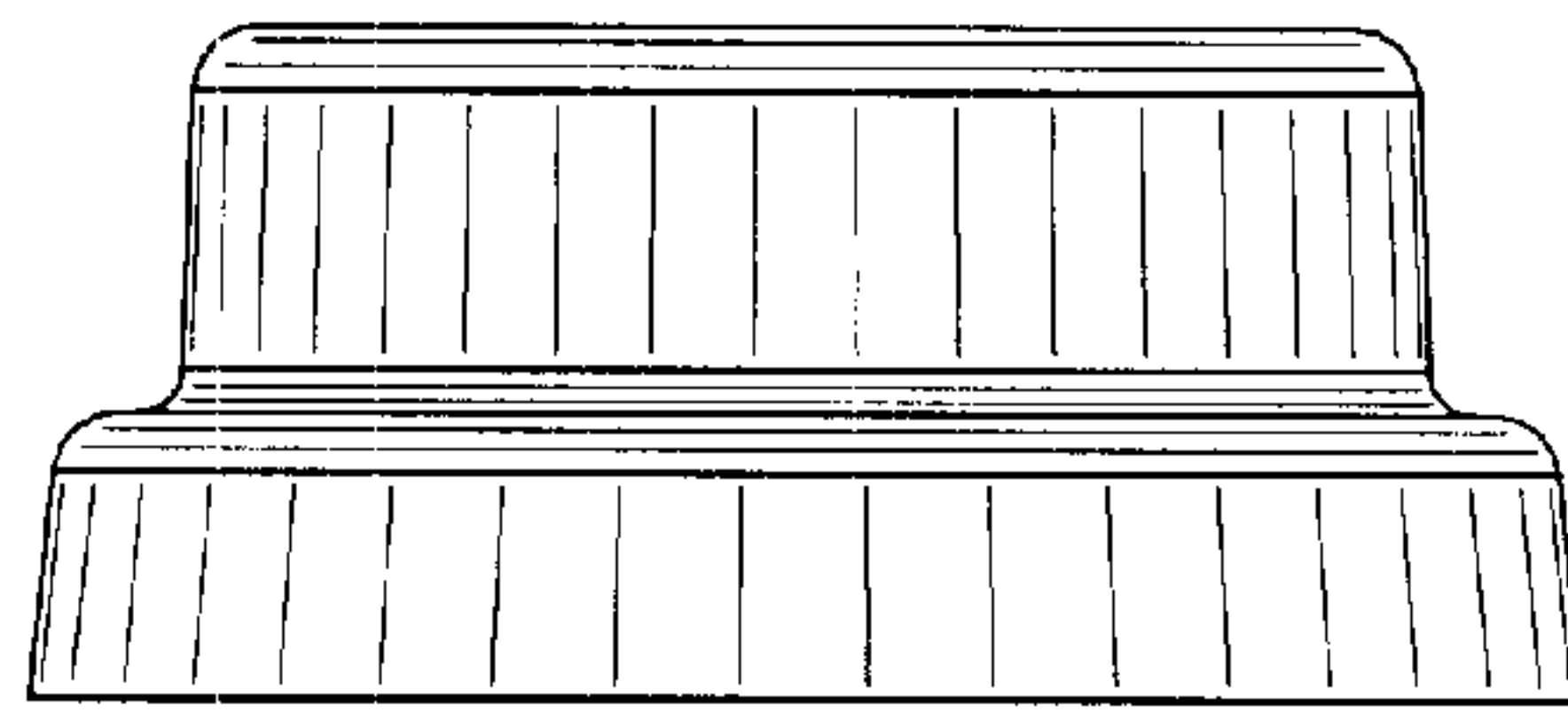


FIG. 7

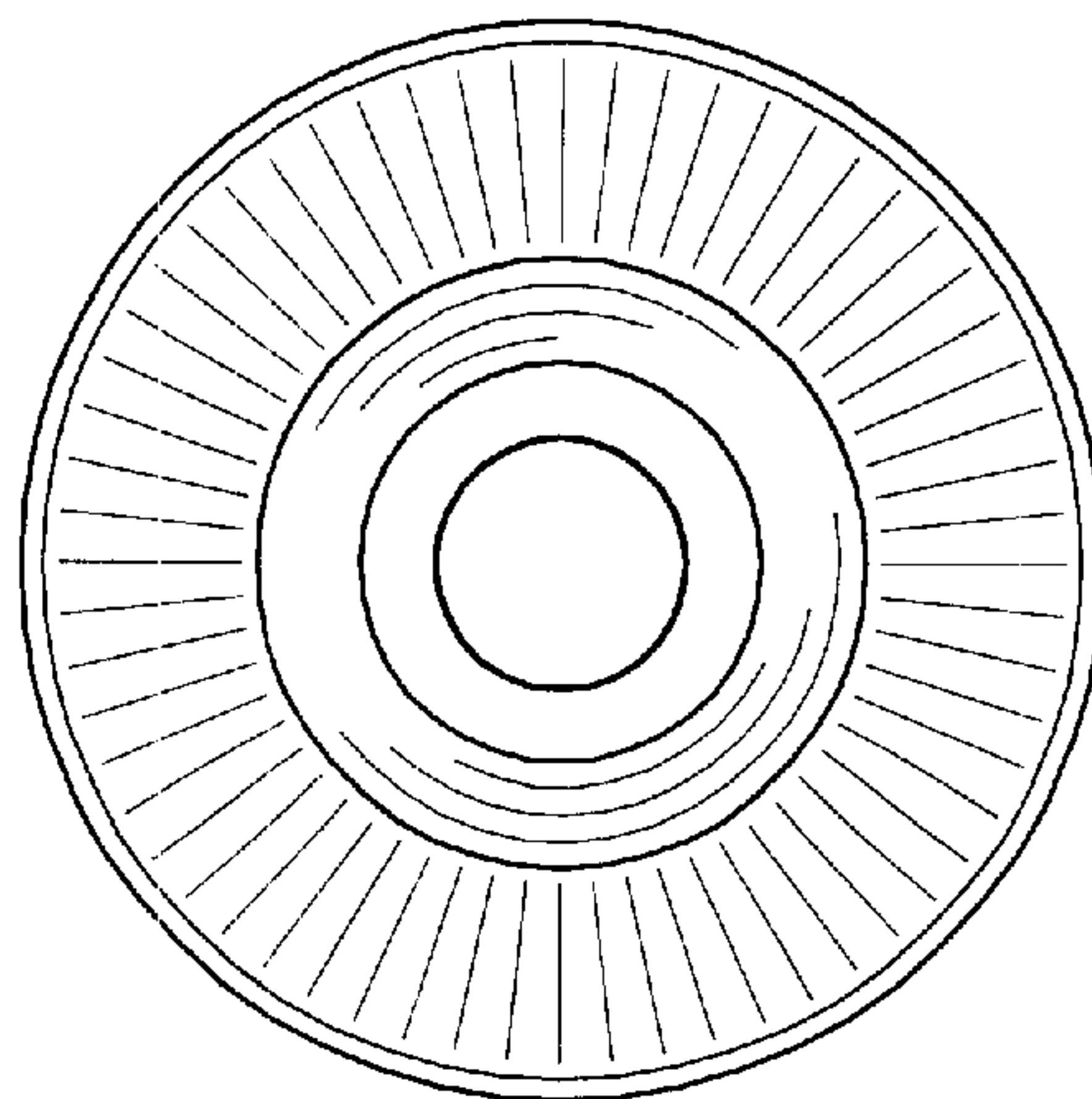


FIG. 8

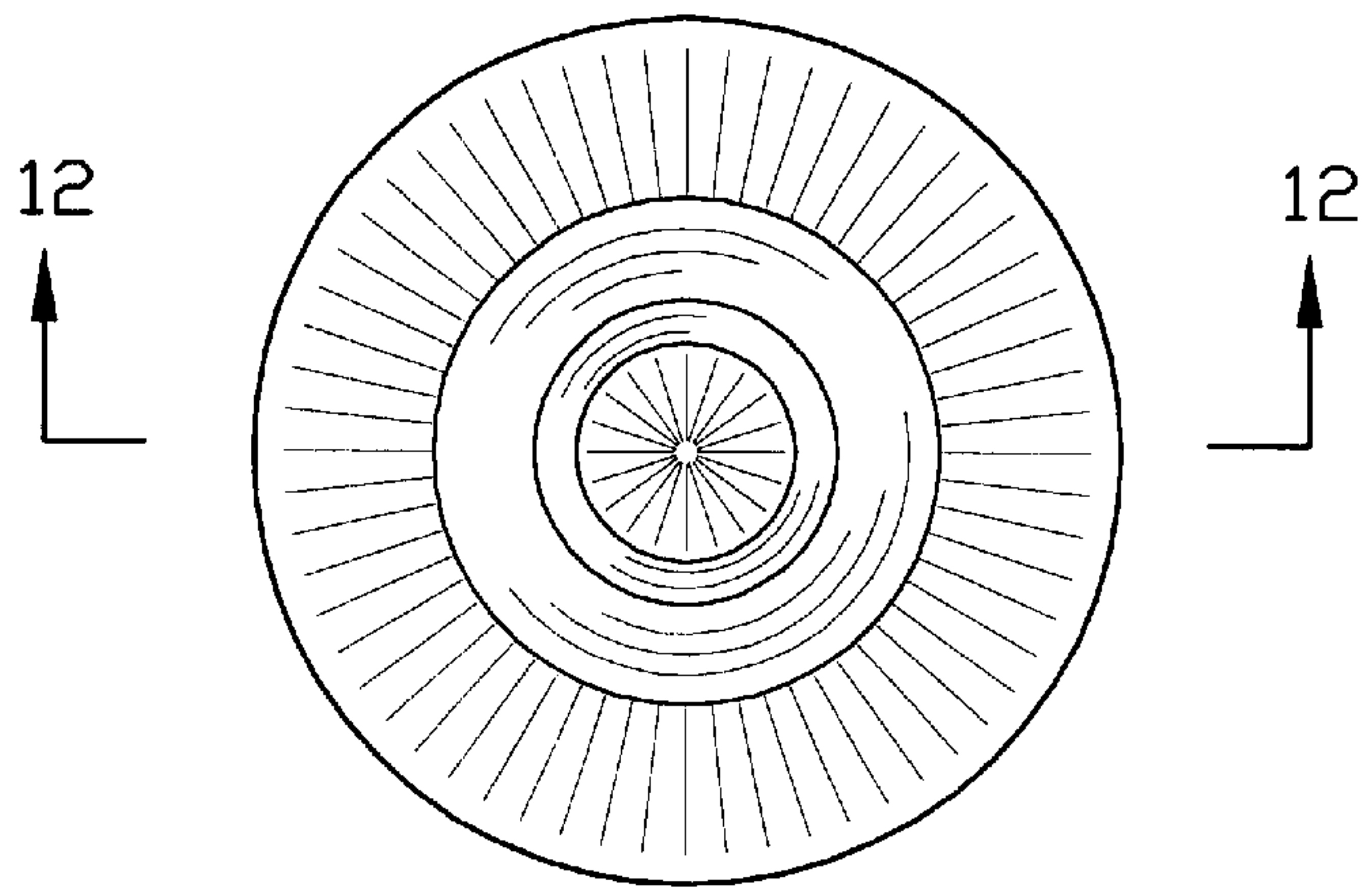


FIG. 9

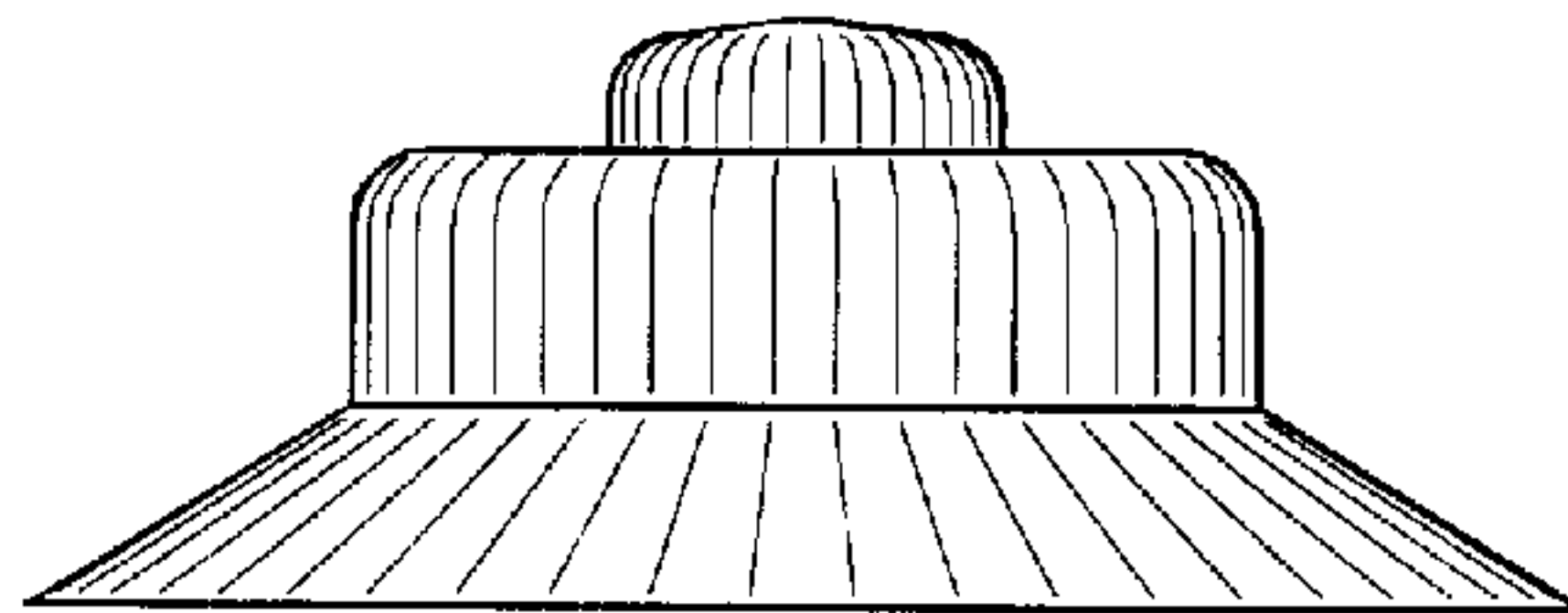
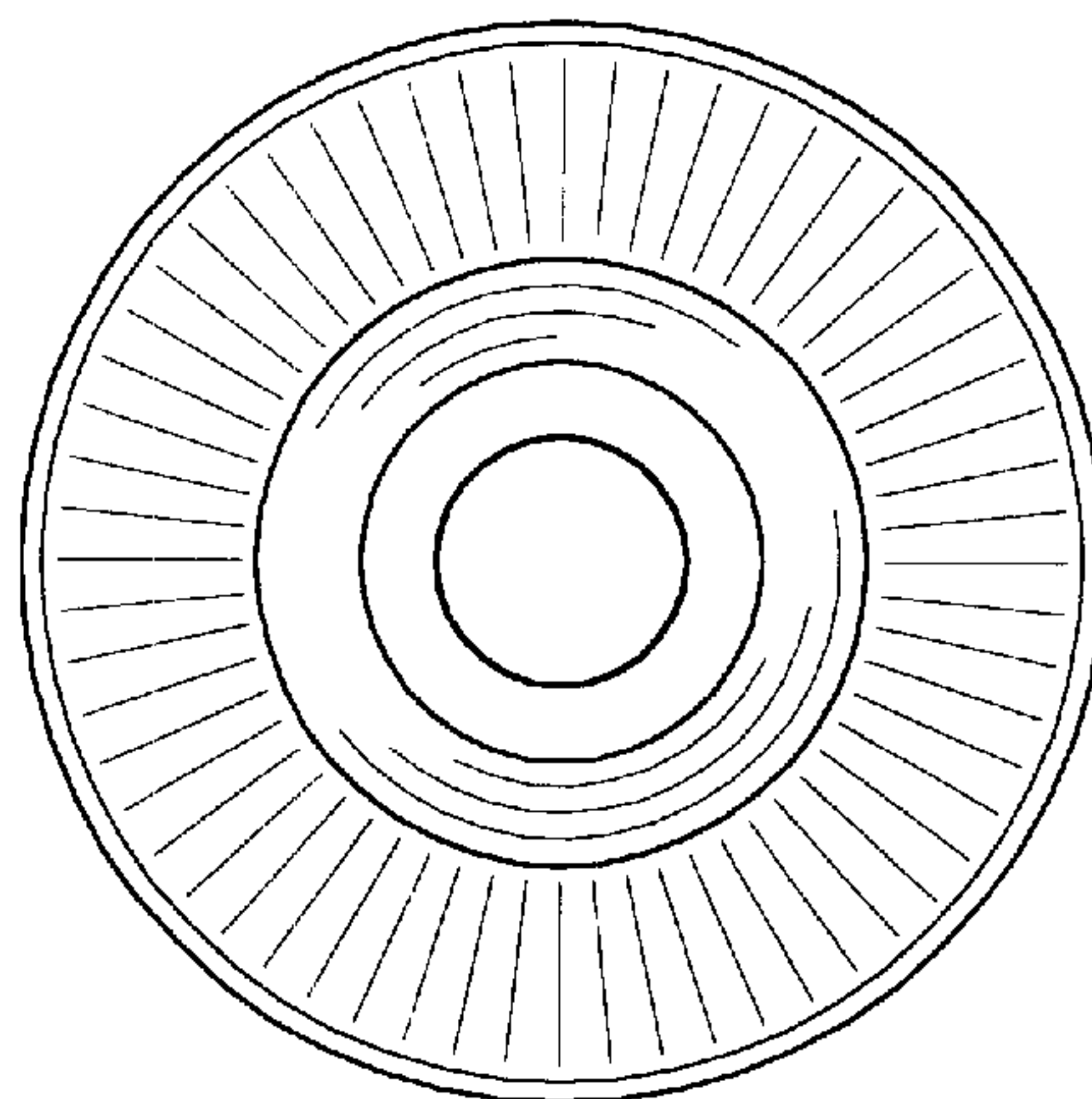


FIG. 10





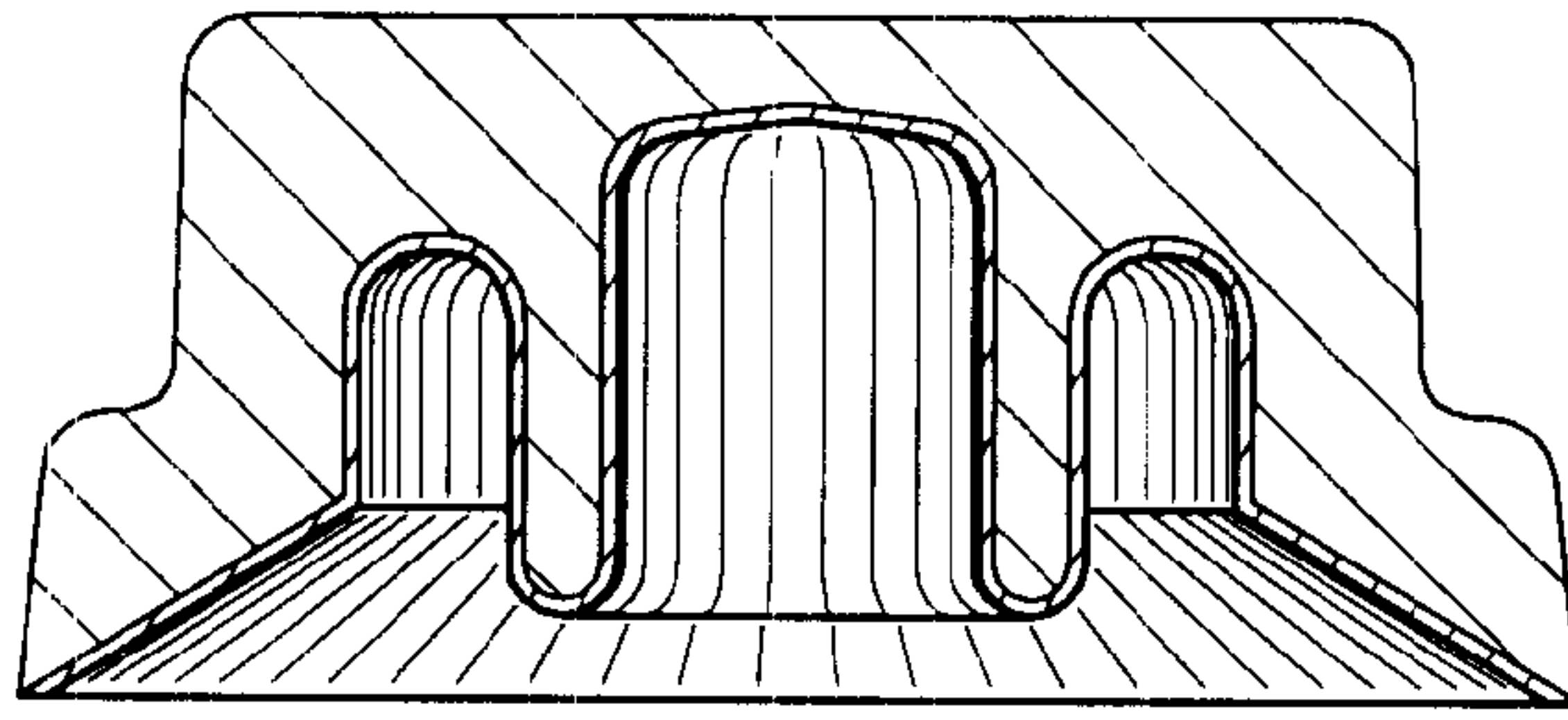


FIG. 11

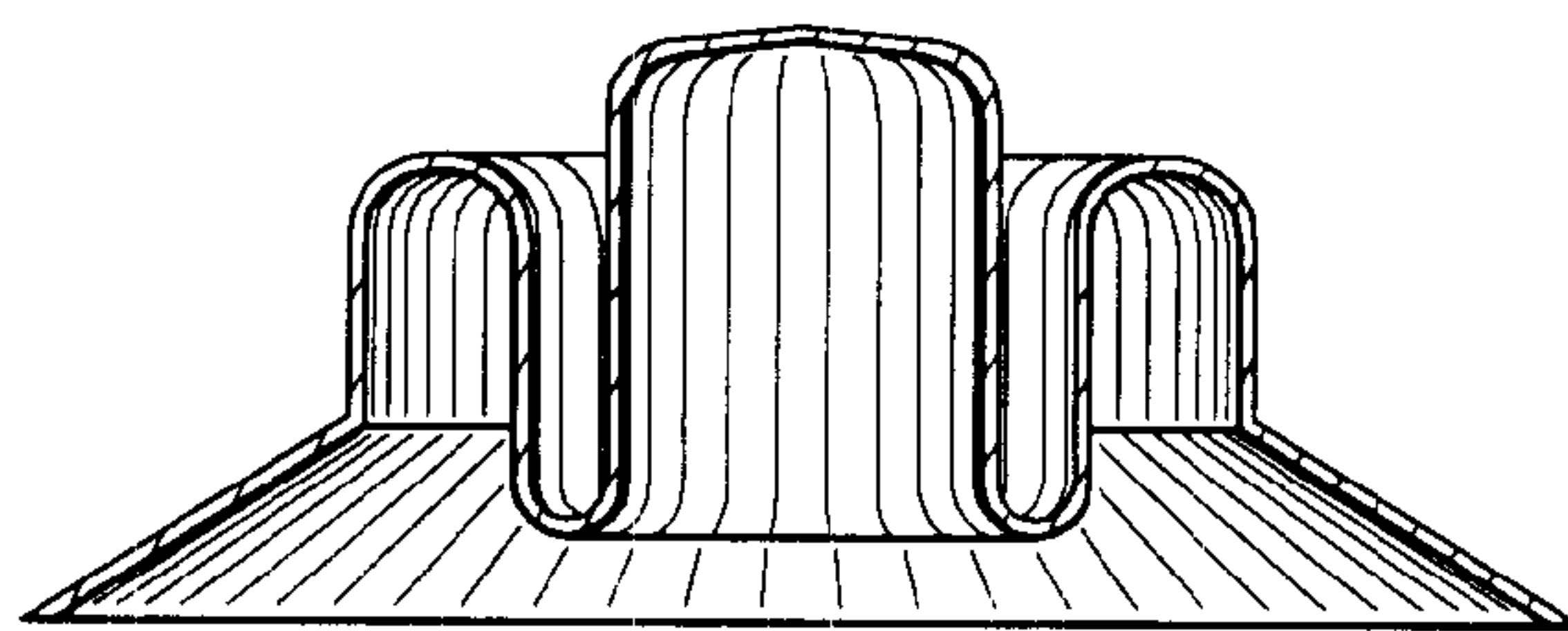


FIG. 12