



US00D467488S

(12) **United States Design Patent**
Su

(10) **Patent No.:** **US D467,488 S**

(45) **Date of Patent:** **** Dec. 24, 2002**

- (54) **KNOB**
- (75) Inventor: **Yi-Chung Su**, Kaohsiung Hsien (TW)
- (73) Assignee: **Sunonwealth Electric Machine Industry Co., Ltd.**, Kaohsiung (TW)
- (**) Term: **14 Years**
- (21) Appl. No.: **29/162,465**
- (22) Filed: **Jun. 18, 2002**
- (51) **LOC (7) Cl.** **08-06**
- (52) **U.S. Cl.** **D8/307**
- (58) **Field of Search** D8/300-302, 307, D8/310-312, 338, 341; D23/250-254; 16/110.1, 113.1, 412, 414, 415, 416, 417, 419, 420, 429, 441, 443, 444, 446; 292/347

(56) **References Cited**
U.S. PATENT DOCUMENTS

- D179,458 S * 12/1956 Ohno D8/310
- D199,924 S * 12/1964 Schlage D8/310
- D253,513 S * 11/1979 Bertani D8/307

- D265,498 S * 7/1982 Paul D23/242
- D371,501 S * 7/1996 James D8/307
- D444,028 S * 6/2001 Rae D8/307

* cited by examiner

Primary Examiner—B. J. Bullock

(74) *Attorney, Agent, or Firm*—Bacon & Thomas, PLLC

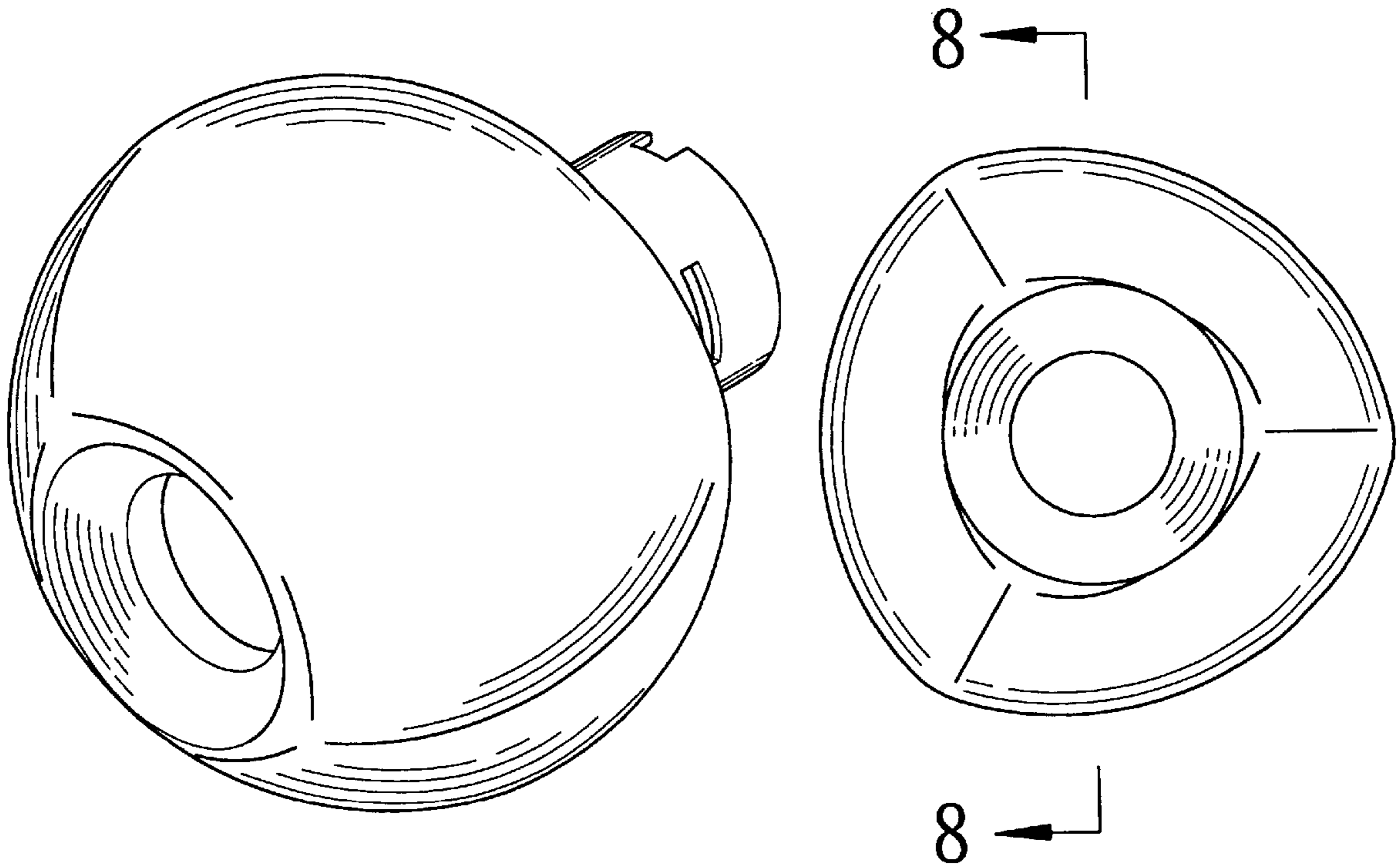
(57) **CLAIM**

The ornamental design for a knob, as shown and described.

DESCRIPTION

FIG. 1 is a perspective view of the knob in accordance with the embodiment of the claimed design;
 FIG. 2 is a right side elevational view thereof;
 FIG. 3 is a top plan view thereof;
 FIG. 4 is a front elevational view thereof;
 FIG. 5 is a bottom plan view thereof;
 FIG. 6 is a left side elevational view thereof;
 FIG. 7 is a rear elevational view thereof; and,
 FIG. 8 is a cross-sectional view thereof taken along line 8—8 in FIG. 2.
 FIGS. 2-8 are shown on a reduced scale.

1 Claim, 5 Drawing Sheets



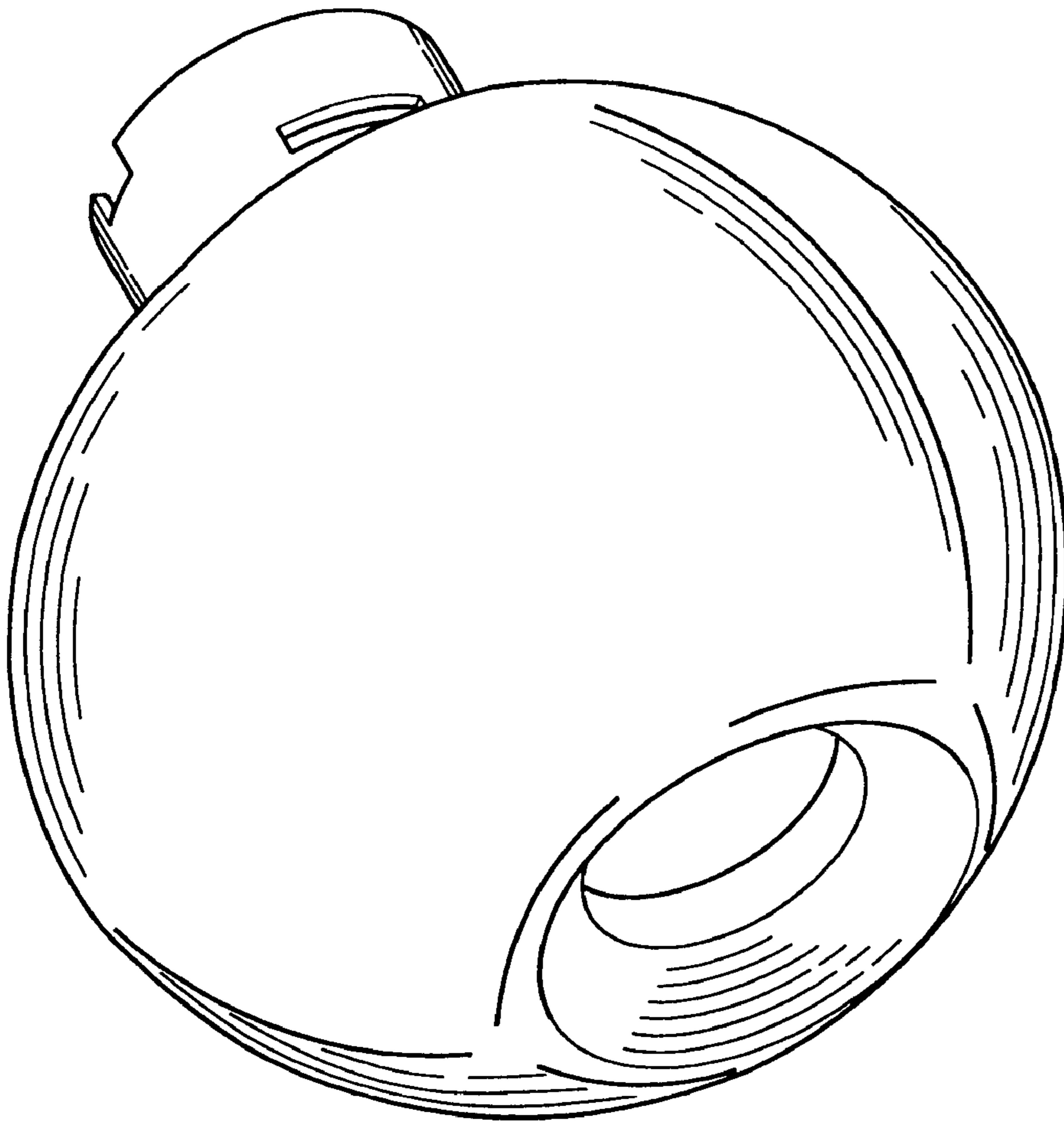


FIG. 1

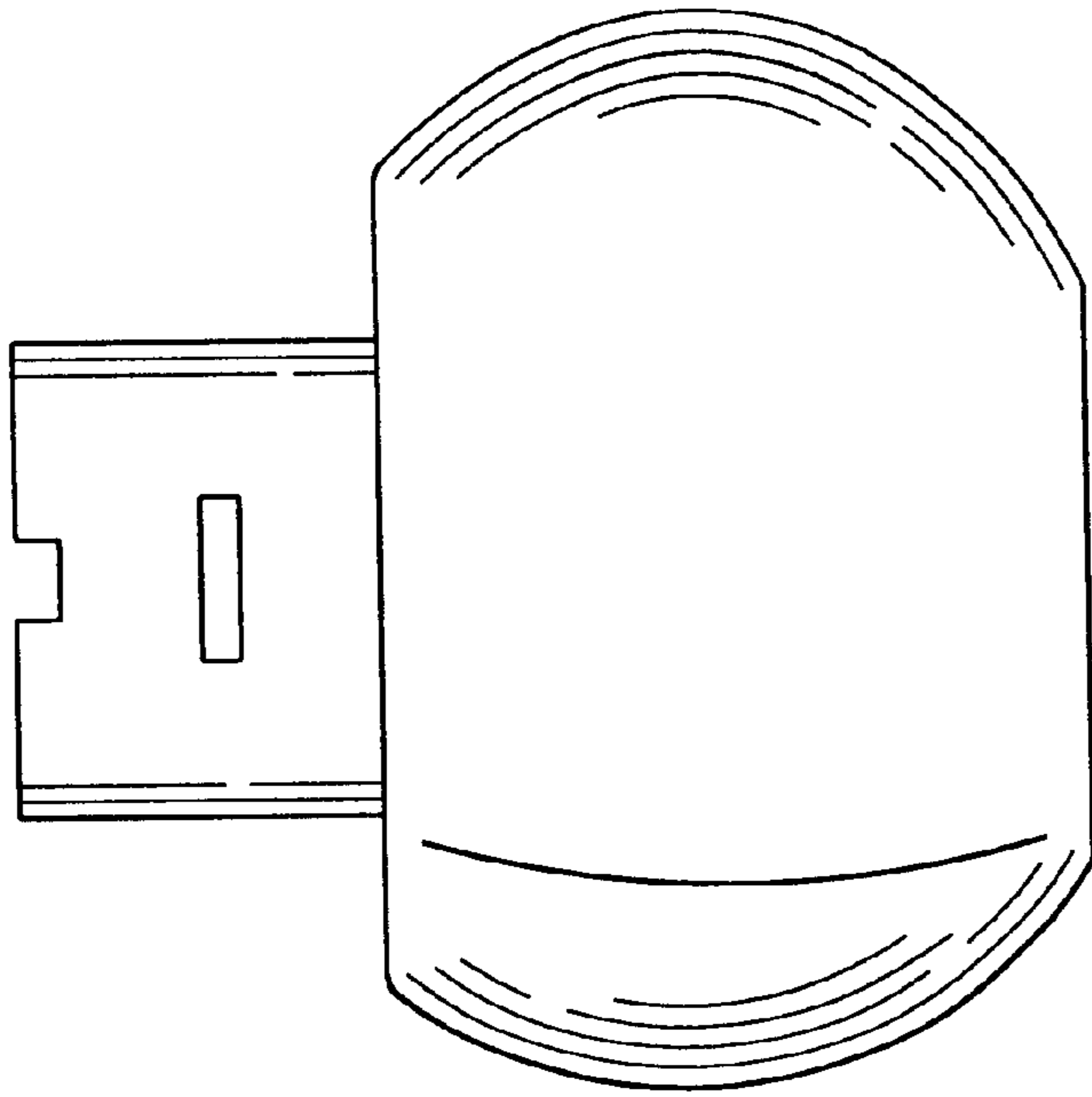


FIG. 3

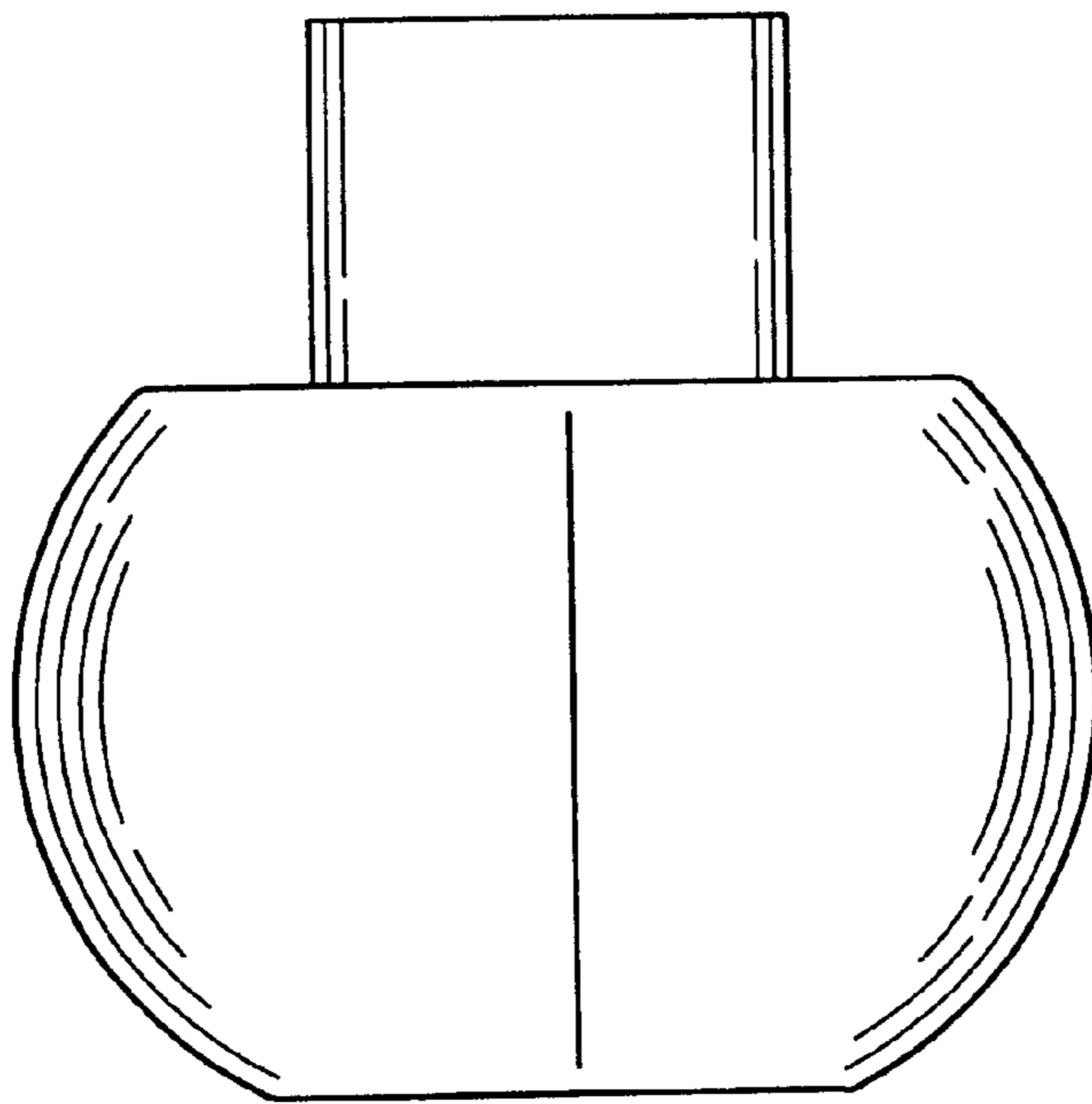


FIG. 2

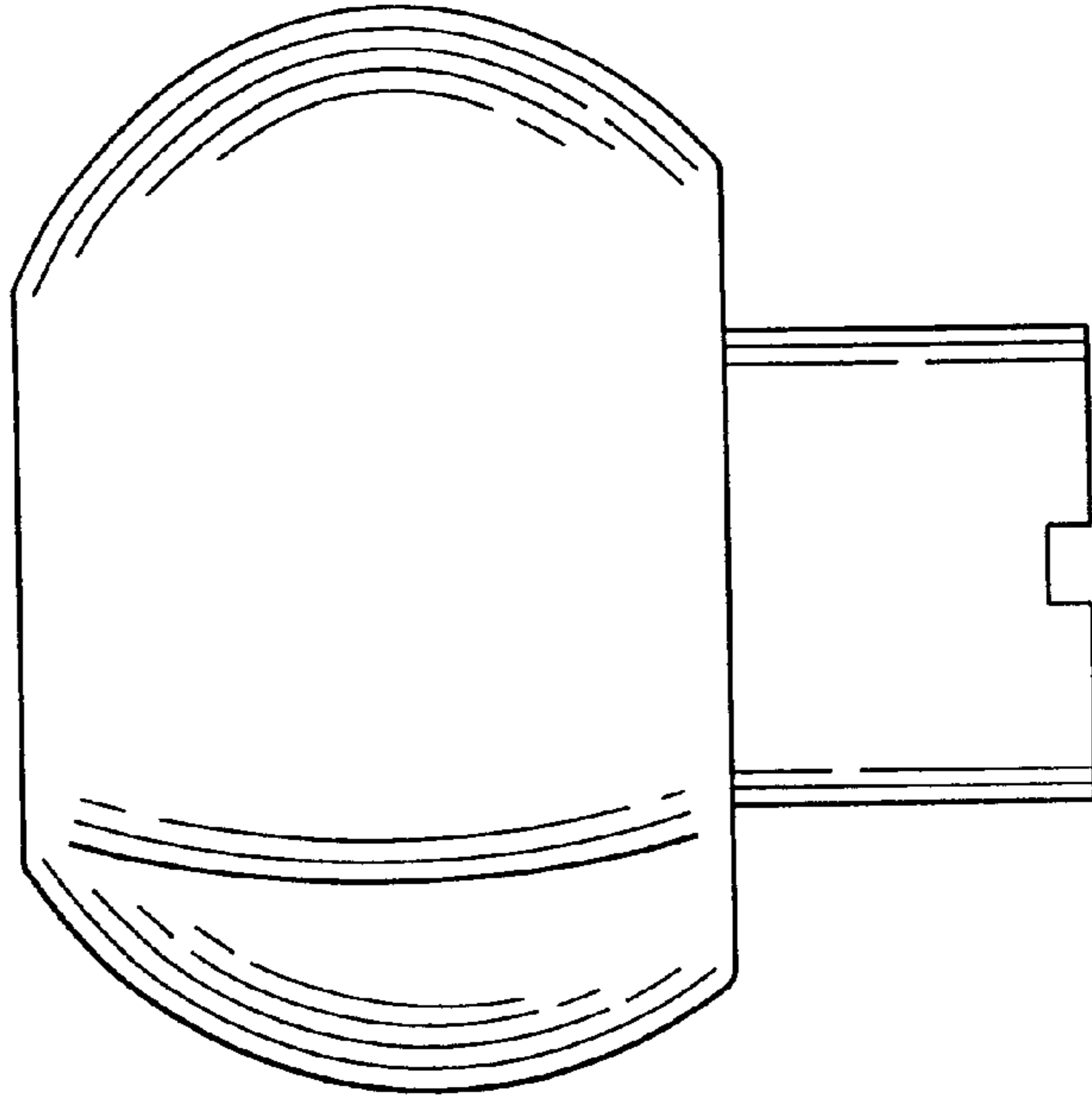


FIG. 5

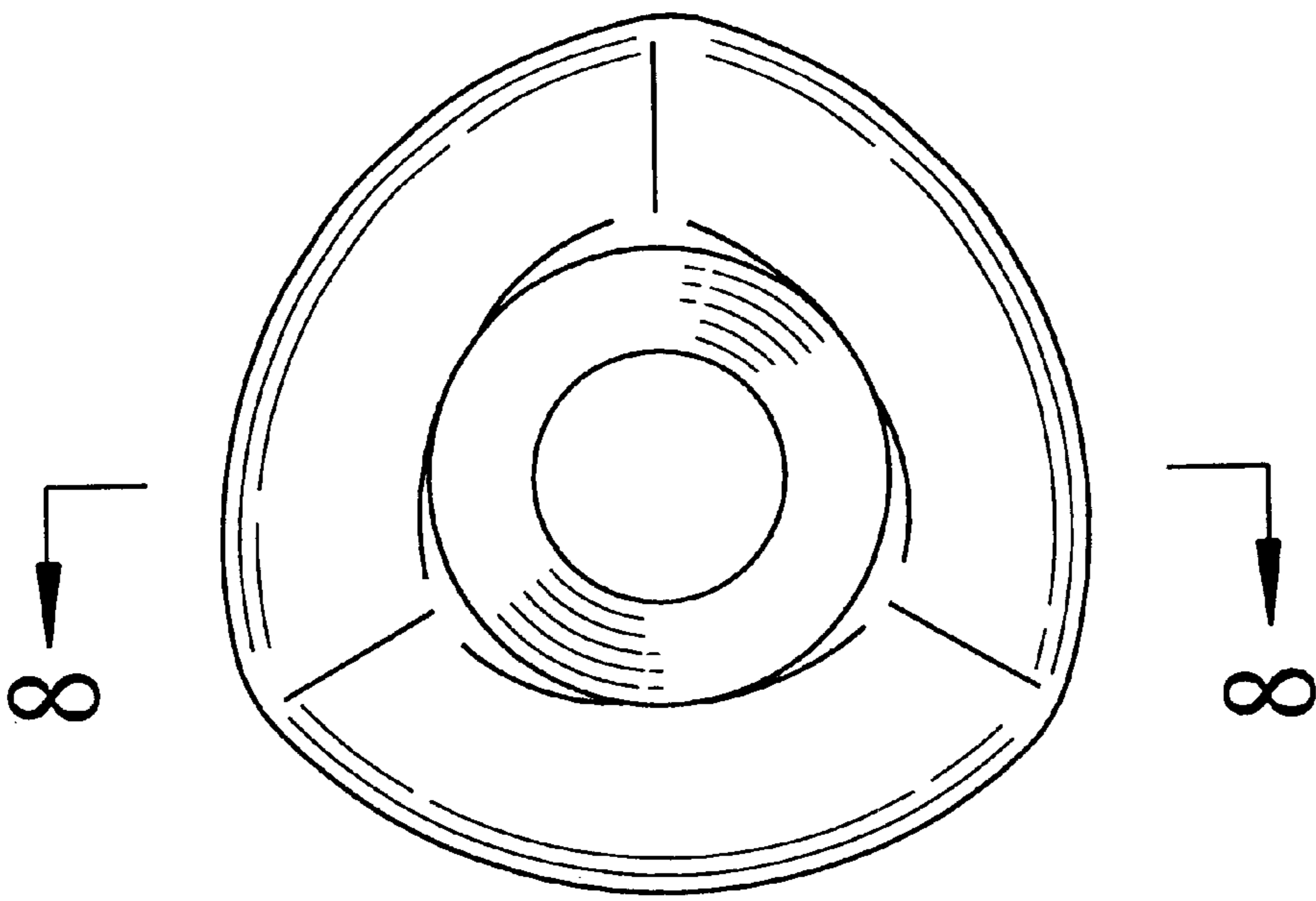


FIG. 4

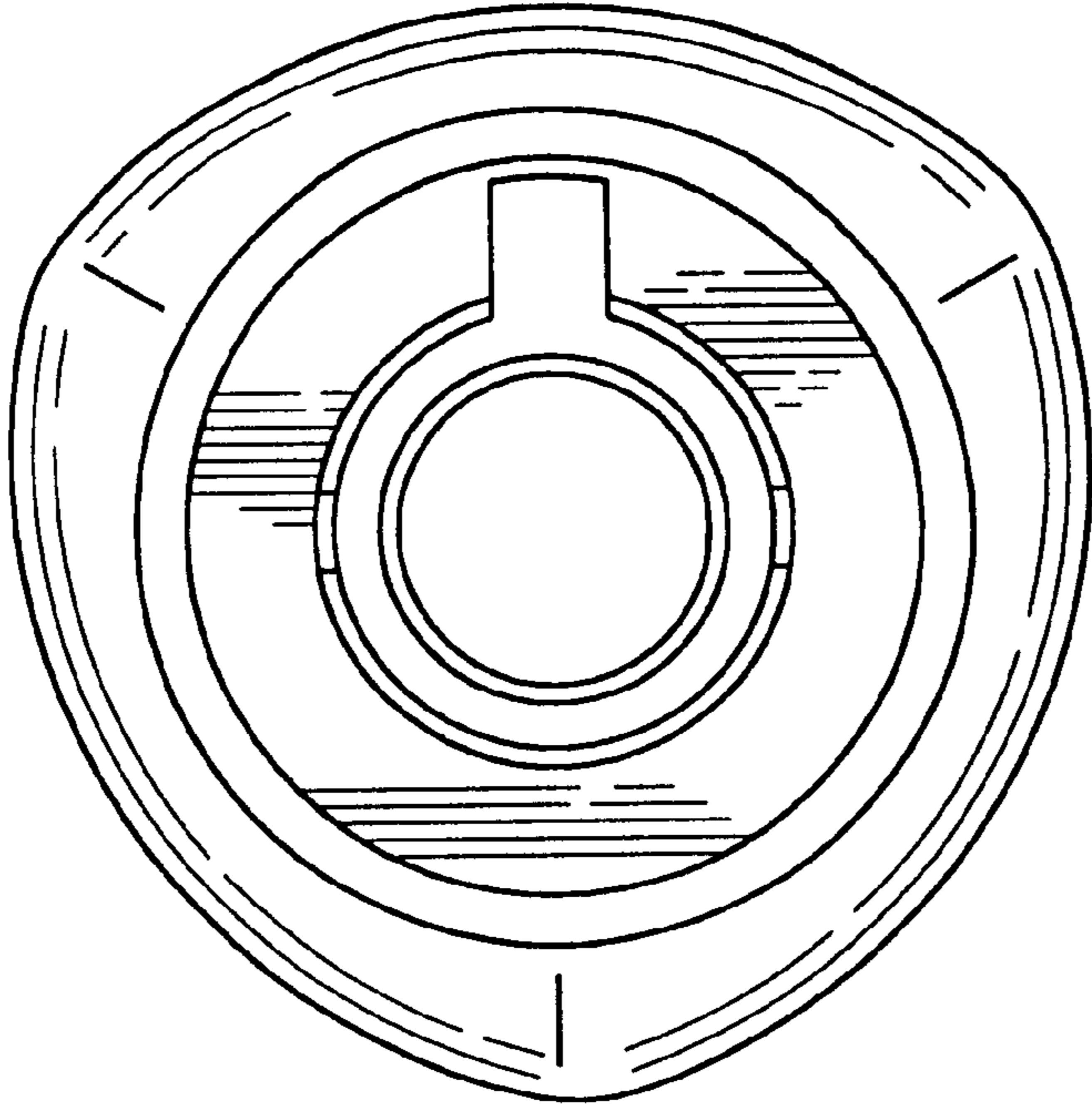


FIG. 7

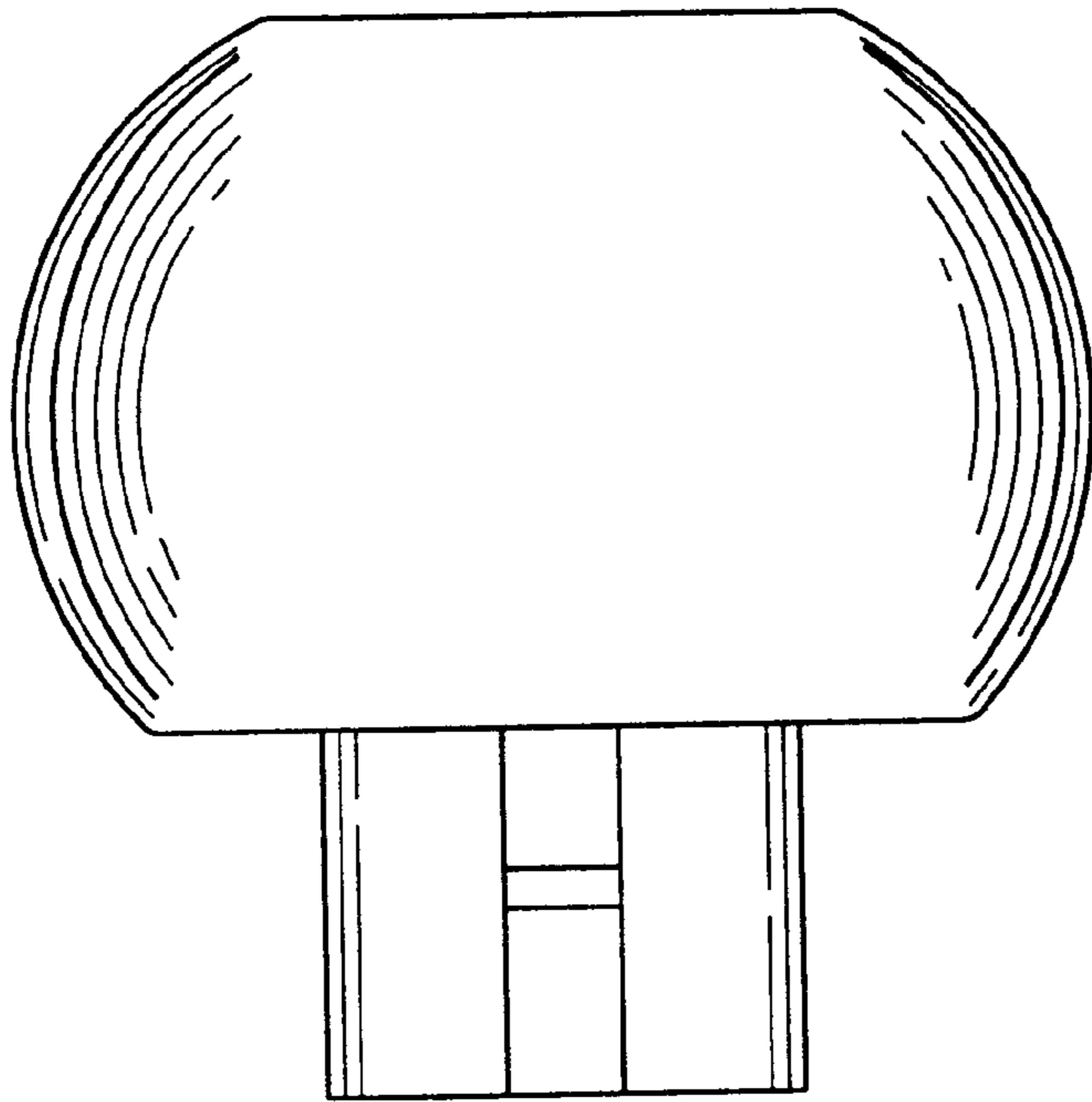


FIG. 6

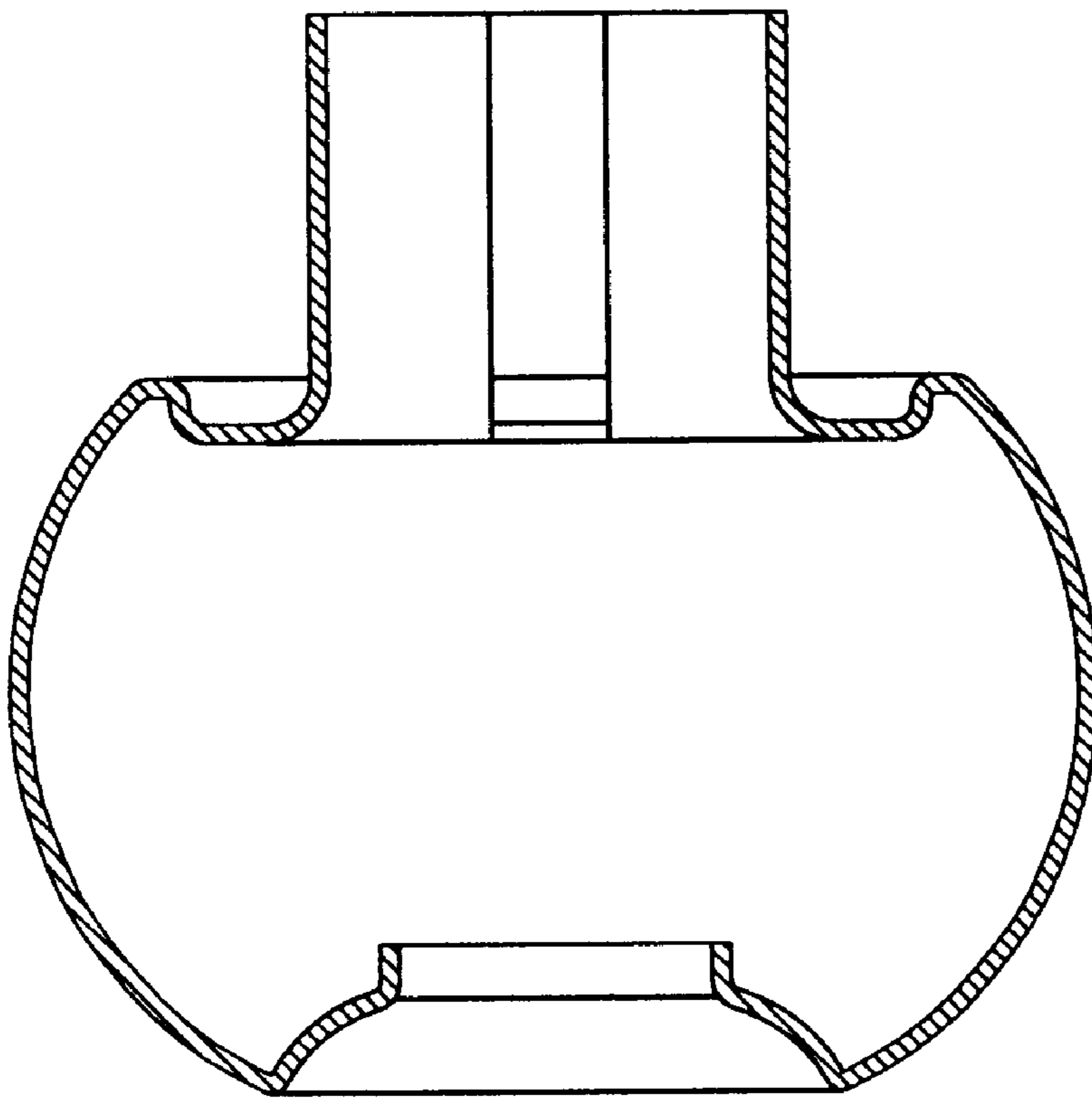


FIG. 8