



US00D467485S

(12) **United States Design Patent**
Daniels et al.

(10) **Patent No.:** **US D467,485 S**

(45) **Date of Patent:** **** Dec. 24, 2002**

(54) **ROUTER TABLE ADAPTER BASE PLATE**

(75) **Inventors:** **David R. Daniels, Lake Villa, IL (US);**
Edmund Apolinski, Chicago, IL (US)

(73) **Assignee:** **Wolfcraft, Inc., Itasca, IL (US)**

(**) **Term:** **14 Years**

(21) **Appl. No.:** **29/142,236**

(22) **Filed:** **May 22, 2001**

(51) **LOC (7) Cl.** **08-05**

(52) **U.S. Cl.** **D8/70; D15/140**

(58) **Field of Search** **D8/70; D15/127,**
D15/141, 139, 140; 33/27.11, 613, 626,
640; 144/1.1, 135.2, 137, 136.95, 154.5,
286.1, 286.5, 371, 48.6; 409/182

(56) **References Cited**

U.S. PATENT DOCUMENTS

1,016,253	A	*	2/1912	Denegar	144/135.2
2,509,164	A	*	5/1950	Nath	144/136.95
3,722,360	A	*	3/1973	Blakey et al.	33/626
4,186,784	A	*	2/1980	Stone	144/1.1
4,197,887	A	*	4/1980	Groves	144/154.5
4,275,502	A	*	6/1981	Jones	33/27.11
4,291,735	A	*	9/1981	Silken	144/136.95
4,294,297	A	*	10/1981	Kieffer	144/371
4,323,100	A	*	4/1982	Silken	33/27.11
4,445,412	A	*	5/1984	Peters	144/286.1
4,566,512	A	*	1/1986	Wilson	144/154.5
4,718,468	A	*	1/1988	Cowman	144/136.95
4,763,707	A	*	8/1988	Hounshell	144/154.5
5,025,841	A	*	6/1991	Totten	144/135.2
D319,565	S	*	9/1991	Krogsgaard	D8/70
D333,311	S	*	2/1993	Davis	D15/127
D337,501	S	*	7/1993	Witt	D8/70
D337,502	S	*	7/1993	Witt	D8/70

D339,814	S	*	9/1993	Pepper	D15/139
5,289,861	A	*	3/1994	Hedrick	144/135.2
5,699,844	A	*	12/1997	Witt	144/135.2
5,715,880	A	*	2/1998	Tucker et al.	144/135.2
5,725,038	A	*	3/1998	Tucker et al.	144/135.2
5,855,234	A	*	1/1999	Everts et al.	144/135.2
5,909,987	A	*	6/1999	Coffey et al.	144/136.95
5,983,968	A	*	11/1999	Newman	144/137
6,145,556	A	*	11/2000	Wood	144/137
D443,882	S	*	6/2001	Daniels et al.	D15/127
6,305,447	B1	*	10/2001	Rousseau	144/135.2
6,360,798	B1	*	3/2002	Apolinski	144/135.2
6,382,276	B1	*	5/2002	Daniels et al.	144/135.2

* cited by examiner

Primary Examiner—Doris V. Coles

Assistant Examiner—T. Chase Nelson

(74) *Attorney, Agent, or Firm*—Schiff Hardin & Waite

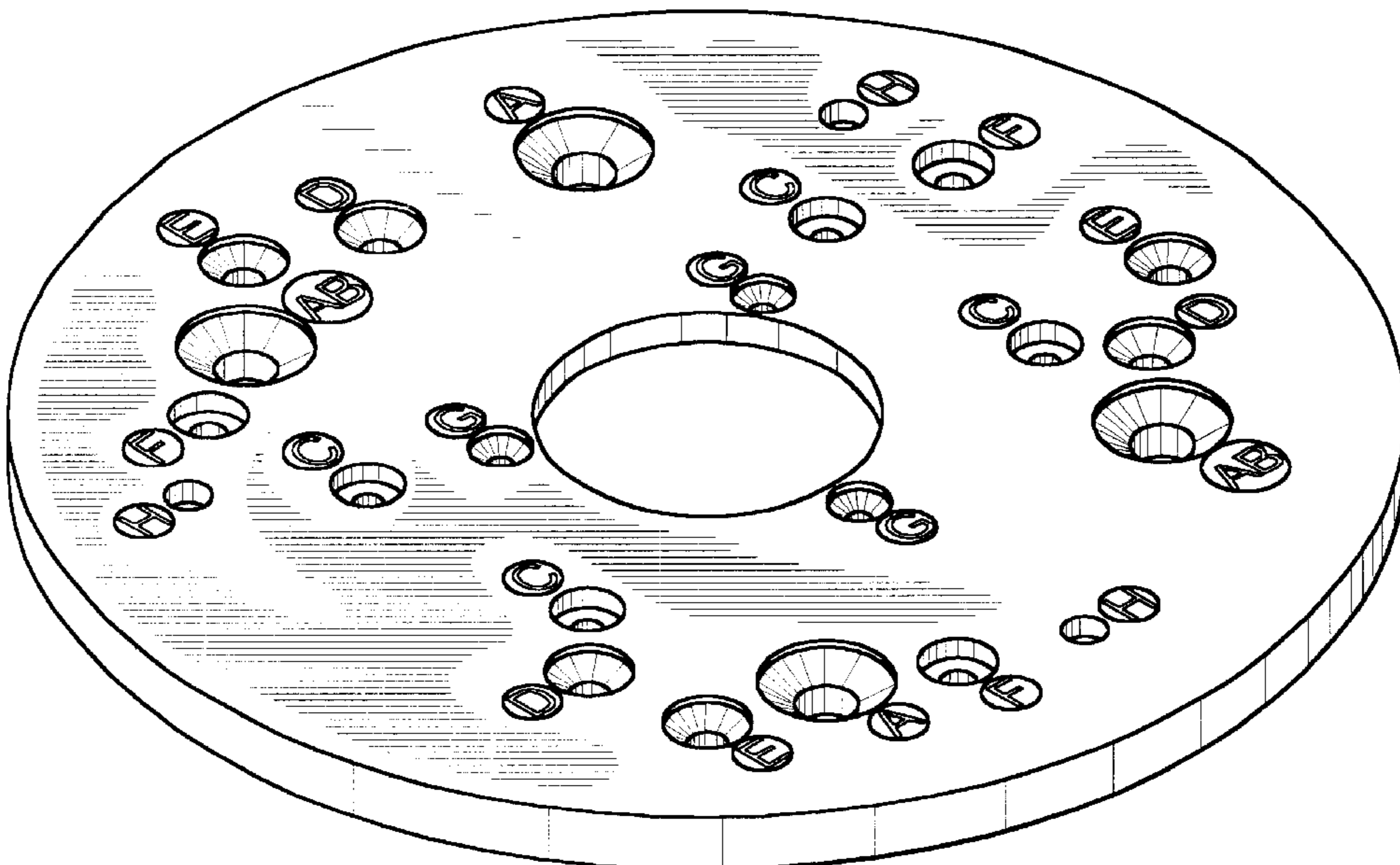
(57) **CLAIM**

The ornamental design for a router table adapter base plate, as shown and described.

DESCRIPTION

FIG. 1 is a perspective view of the top of a router table adapter base plate in accordance with the present invention; FIG. 2 is a side view of the router table adapter base plate; FIG. 3 is a perspective view of the bottom of the router table adapter base plate; FIG. 4 is a top view of the router table adapter base plate; and, FIG. 5 is a bottom view of the router table adapter base plate. A router table adapter base plate has various groupings of hole patterns, some of which are countersunk, and some of which are counterbored. Lettering on the base plate identifies the group that a hole belongs to. Some of the holes on the bottom side have a polygonal inset.

1 Claim, 2 Drawing Sheets



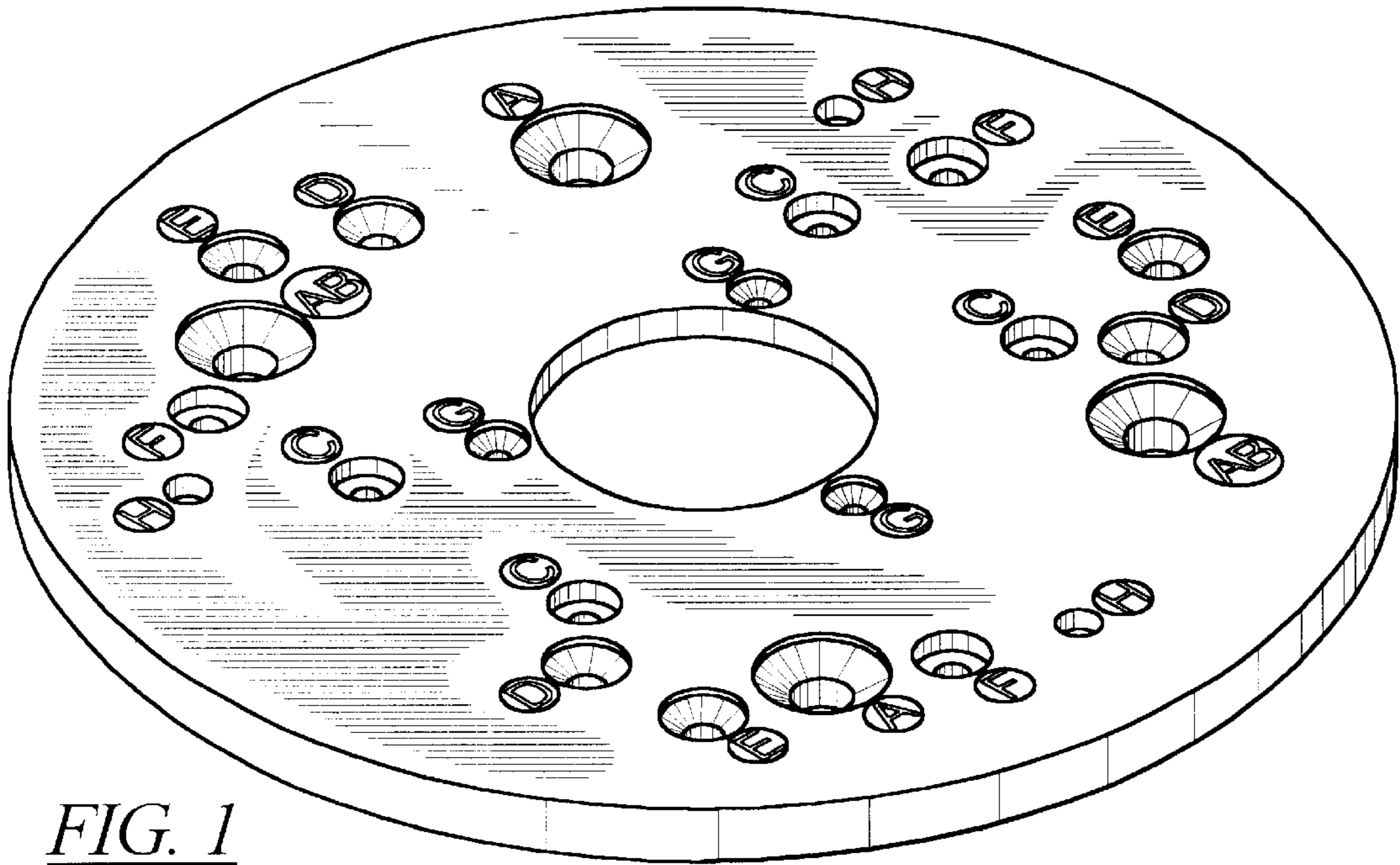


FIG. 1

FIG. 2



FIG. 3

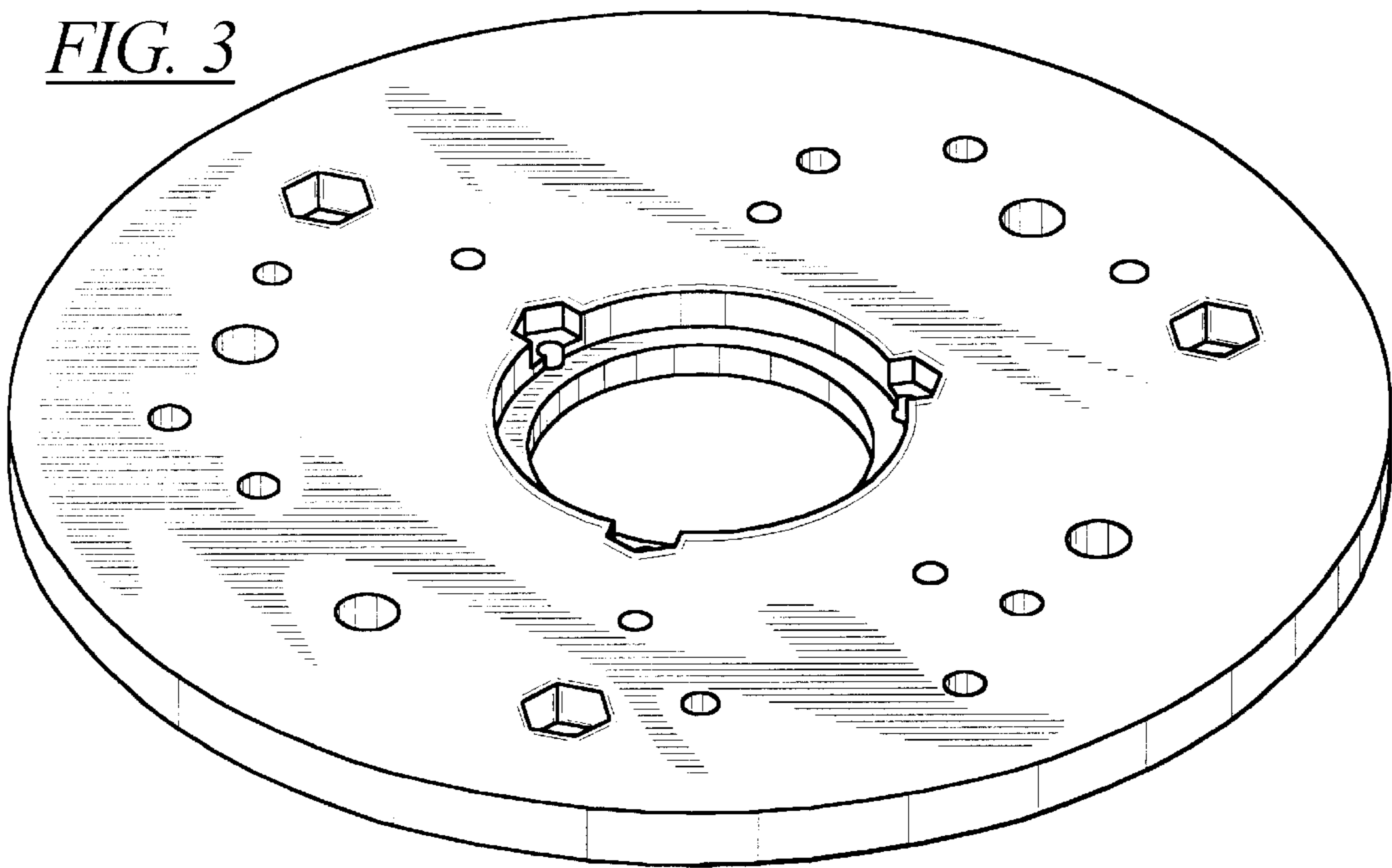


FIG. 4

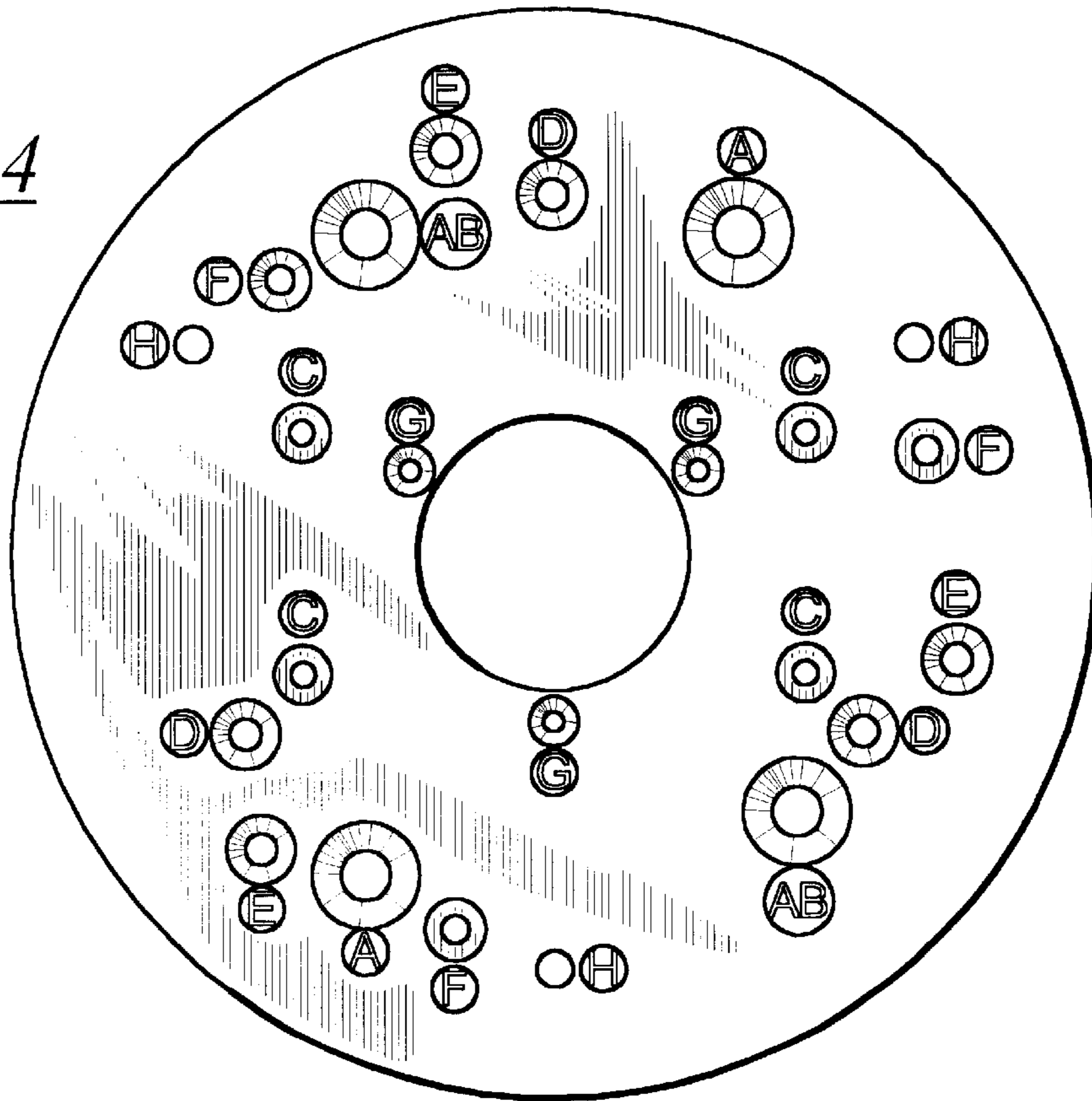


FIG. 5

