



US00D467480S

(12) **United States Design Patent**  
**Kelleghan**

(10) **Patent No.:** **US D467,480 S**

(45) **Date of Patent:** **\*\* Dec. 24, 2002**

(54) **OVAL END TOOL**

(75) **Inventor:** **Brian James Kelleghan**, Longmont, CO (US)

(73) **Assignee:** **Bison Designs, LLC**, Longmont, CO (US)

(\*\*) **Term:** **14 Years**

(21) **Appl. No.:** **29/154,544**

(22) **Filed:** **Jan. 25, 2002**

(51) **LOC (7) Cl.** ..... **07-99**

(52) **U.S. Cl.** ..... **D8/40; D8/18; D8/88**

(58) **Field of Search** ..... D8/33-43, 18, D8/19, 88, 89, 48; 30/400-443; 81/3.07-3.49; 7/151-156; D3/208, 211; D11/43, 44, 48, 49, 53, 55, 79-83, 95, 99-101

(56) **References Cited**

**U.S. PATENT DOCUMENTS**

D34,096 S	*	2/1901	Stephens	.....	D8/18
706,911 A	*	8/1902	Dunham	.....	7/151
805,486 A	*	11/1905	Rosenheimer	.....	7/151
D42,306 S	*	3/1912	Sommer	.....	D8/18
D44,226 S	*	6/1913	Vaughen	.....	D8/18
D46,298 S	*	8/1914	Sommer	.....	D8/18
D46,762 S	*	12/1914	Vaughan	.....	D8/18
D47,144 S	*	3/1915	Pfister	.....	D27/196
D85,035 S	*	9/1931	Ekstedt	.....	D3/211
D97,570 S	*	11/1935	Trollen	.....	D3/210
D119,965 S	*	4/1940	Paolantonio	.....	D8/40
D141,352 S	*	5/1945	Block	.....	D8/38
D143,233 S	*	12/1945	Moore	.....	D8/43
D149,645 S	*	5/1948	Johansen	.....	D8/40
2,517,442 A	*	8/1950	Ransom	.....	30/450
D161,321 S	*	12/1950	De Fee	.....	D8/18
2,542,329 A	*	2/1951	Hammond et al.	.....	81/3.57
D196,251 S	*	9/1963	Piel	.....	D8/41
D222,659 S	*	11/1971	Hillis	.....	D8/40

(List continued on next page.)

**OTHER PUBLICATIONS**

www.omegapacificpromotions.com, visited Jun. 24, 2002, Bottle openers, "Key" and "Cycle Wrench".\*

www.artedesigngroup.com, visited Jun. 24, 2002, BCOKC Bottle/Can Opener Key Chain.\*

U.S. patent application Ser. No. 29/154,591, Kelleghan, filed on Jan. 25, 2002.

U.S. patent application Ser. No. 29/154,590, Kelleghan, filed on Jan. 25, 2002.

U.S. patent application Ser. No. 29/154,575, Kelleghan, filed on Jan. 25, 2002.

*Primary Examiner*—Jeffrey Asch

(74) *Attorney, Agent, or Firm*—Margaret Polson; Patent Law Offices of Rick Martin, P.C.

(57) **CLAIM**

The ornamental design for an oval end tool, as shown.

**DESCRIPTION**

FIG. 1 is a plan view of the top and bottom sides, which are mirror images of each other, of my new design for an oval end tool.

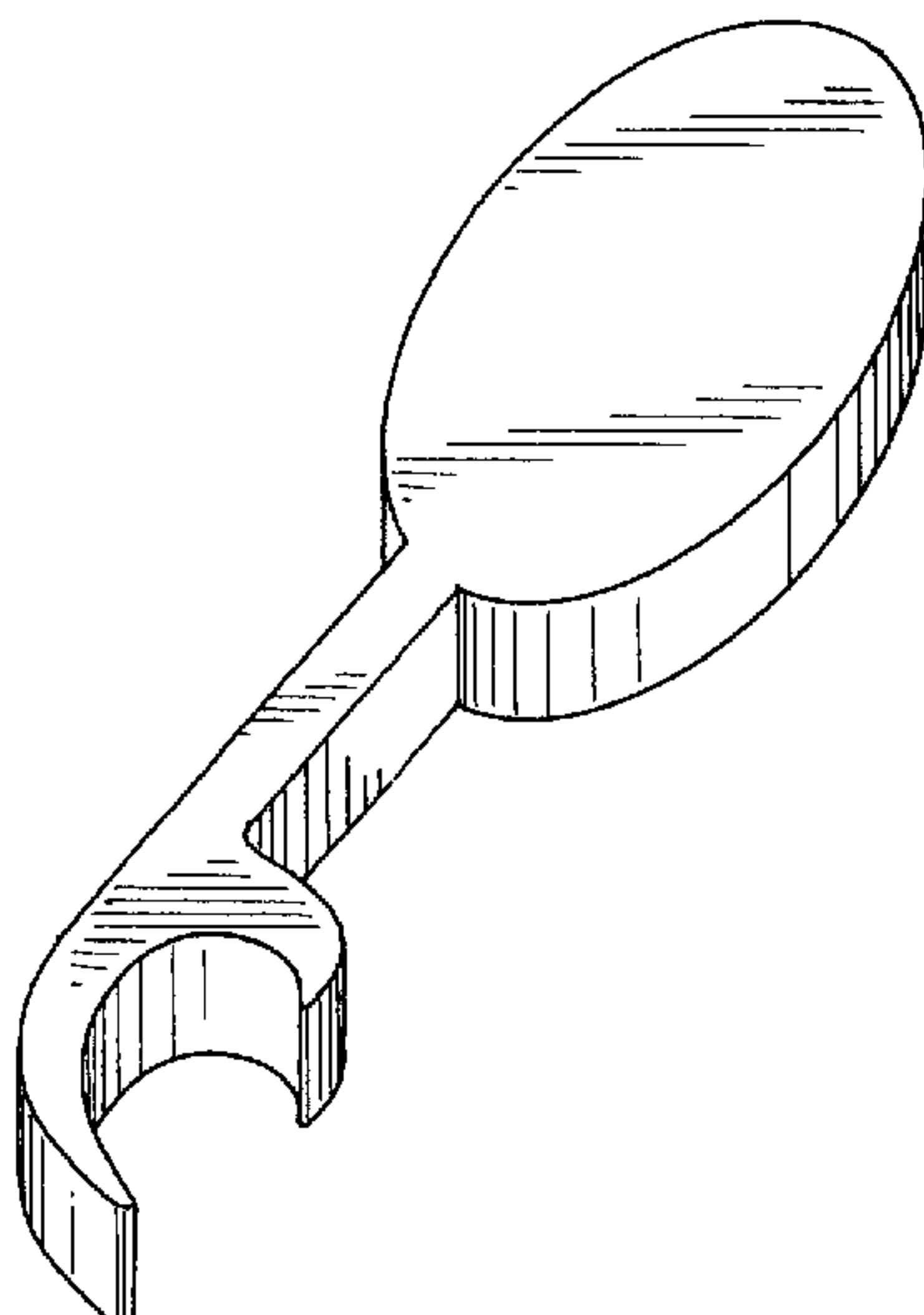
FIG. 2 is a right side plan view of the tool shown in FIG. 1; FIG. 3 is a left side plan view of the tool shown in FIG. 1; FIG. 4 is a front side plan view of the tool shown in FIG. 1; FIG. 5 is a rear side plan view of the tool shown in FIG. 1; FIG. 6 is a top perspective view of the tool shown in FIG. 1.

FIG. 7 is a plan view of the top and bottom sides, which are mirror images of each other, of an alternate embodiment with an attachment nub of my new design for an oval end tool.

FIG. 8 is a right side plan view of the tool shown in FIG. 7. FIG. 9 is a left side plan view of the tool shown in FIG. 7. FIG. 10 is a front side plan view of the tool shown in FIG. 7; and,

FIG. 11 is a rear side plan view of the tool shown in FIG. 7.

**1 Claim, 1 Drawing Sheet**



# US D467,480 S

Page 2

---

## U.S. PATENT DOCUMENTS

D238,244 S	*	12/1975	Pasquale	.....	D8/18	4,976,172 A	*	12/1990	Thomas et al.	.....	81/3.09
D240,188 S	*	6/1976	Lytle	.....	D8/18	D356,237 S	*	3/1995	White	.....	D8/34
4,617,842 A	*	10/1986	Yang	.....	81/3.09	D428,783 S	*	8/2000	Precetti et al.	.....	D8/40
4,765,208 A	*	8/1988	Sakosky	.....	81/3.55	D439,490 S	*	3/2001	Bagley	.....	D8/89
4,864,898 A	*	9/1989	Tricinella	.....	81/3.09	D448,552 S	*	10/2001	Richards	.....	D3/210
D308,620 S	*	6/1990	Baca	.....	D8/34	D454,287 S	*	3/2002	Wolf	.....	D8/40
4,949,600 A	*	8/1990	Tricinella	.....	81/3.09						

\* cited by examiner



FIG. 4



FIG. 10

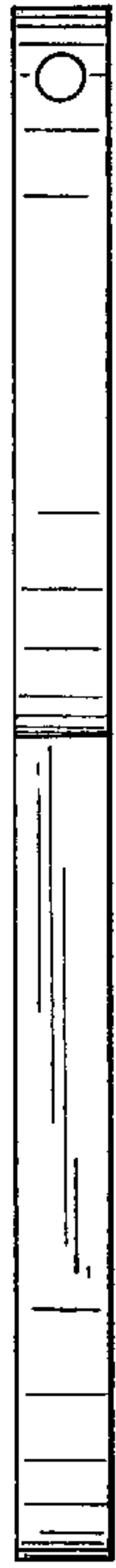


FIG. 3

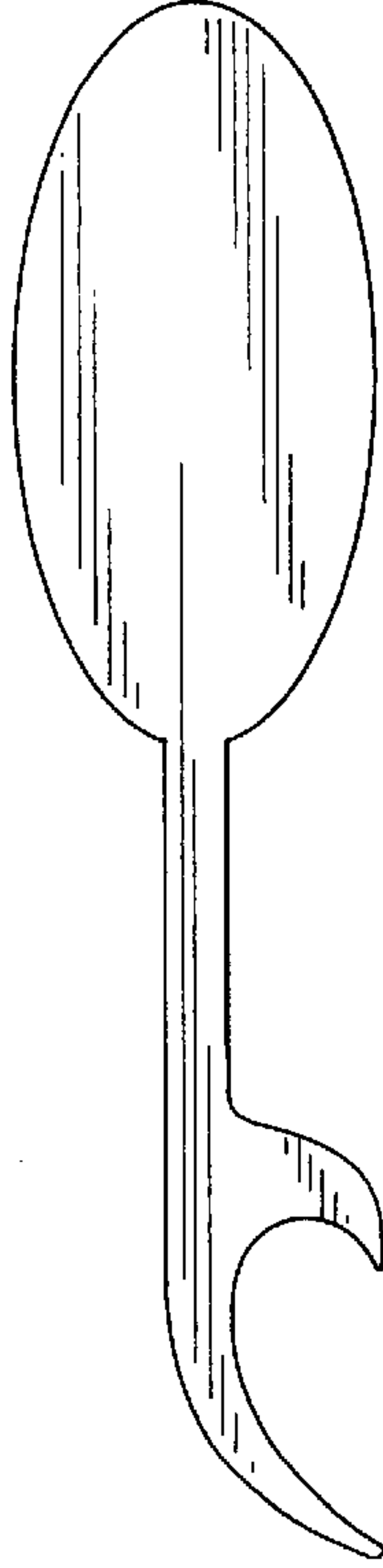


FIG. 1



FIG. 2

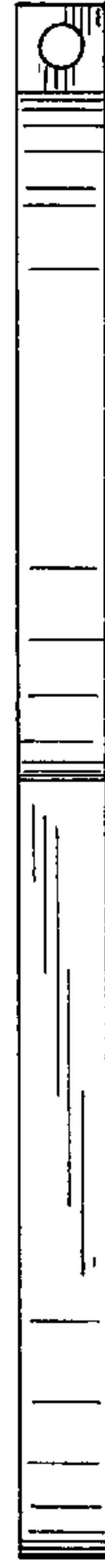


FIG. 9

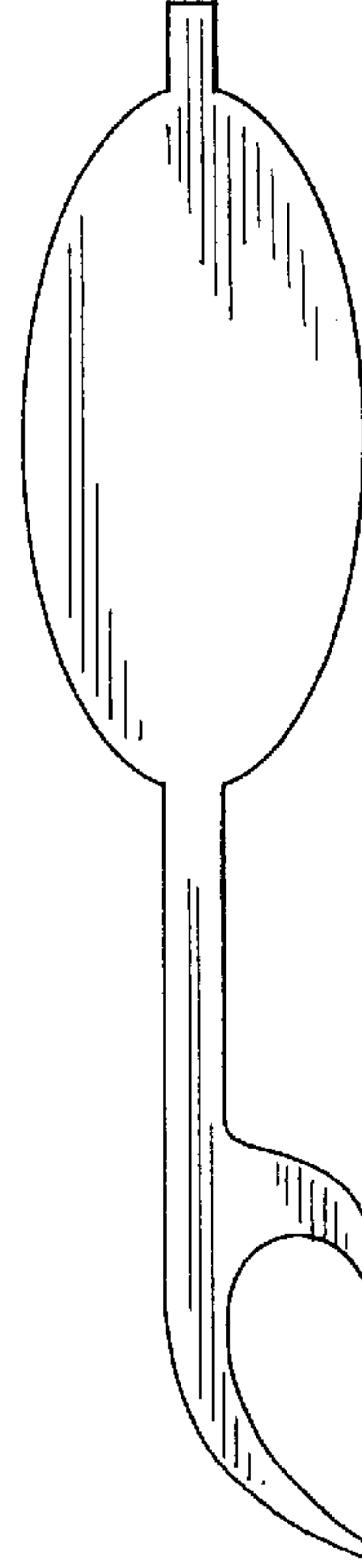


FIG. 7



FIG. 8



FIG. 5



FIG. 11

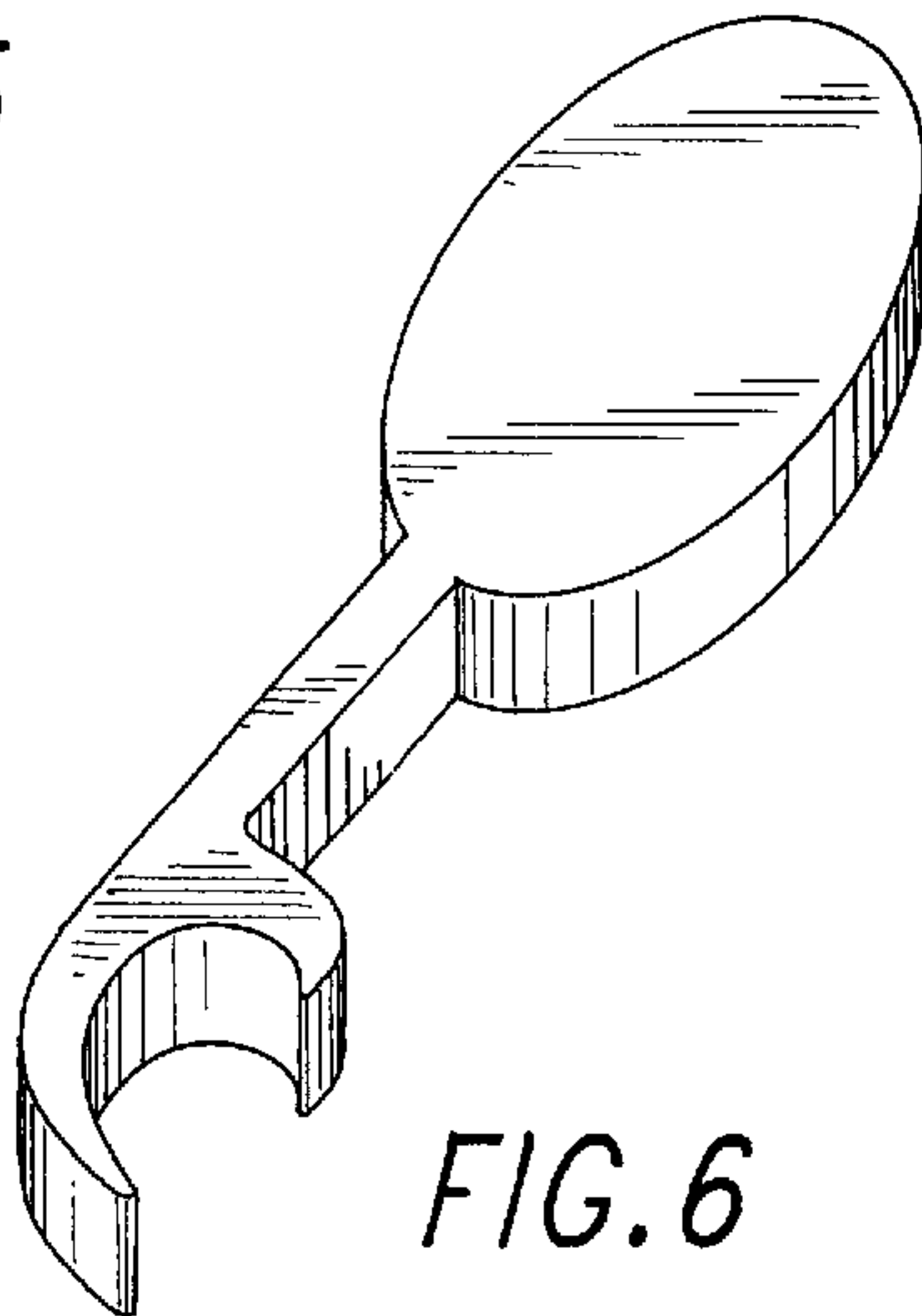


FIG. 6