



US00D467475S

(12) **United States Design Patent**
McWay

(10) **Patent No.:** **US D467,475 S**

(45) **Date of Patent:** **** Dec. 24, 2002**

(54) **AUTOMATIC CHRISTMAS TREE WATERER**

6,347,479 B1 * 2/2002 Greenberg et al. 47/1

(76) Inventor: **Bryan S. McWay**, 402 Warren Ave.,
Apt. 402, Front Royal, VA (US)
22630-4430

* cited by examiner

Primary Examiner—Robin V. Taylor

(74) *Attorney, Agent, or Firm*—Donald R. Schoonover

(**) Term: **14 Years**

(57) **CLAIM**

(21) Appl. No.: **29/160,209**

I claim the ornamental design for an automatic Christmas tree waterer, as shown and described.

(22) Filed: **May 7, 2002**

DESCRIPTION

(51) **LOC (7) Cl.** **08-01**

(52) **U.S. Cl.** **D8/1**

(58) **Field of Search** D8/1; 47/48.5,
47/405, 79; D11/144

FIG. 1 is a perspective view of an automatic Christmas tree waterer, embodying the design of the present invention.

FIG. 2 is a front elevational view thereof;

FIG. 3 is a rear elevational view thereof;

FIG. 4 is a left side elevational view thereof;

FIG. 5 is a right side elevational view thereof;

FIG. 6 is a top plan view thereof;

FIG. 7 is a bottom plan view thereto; and,

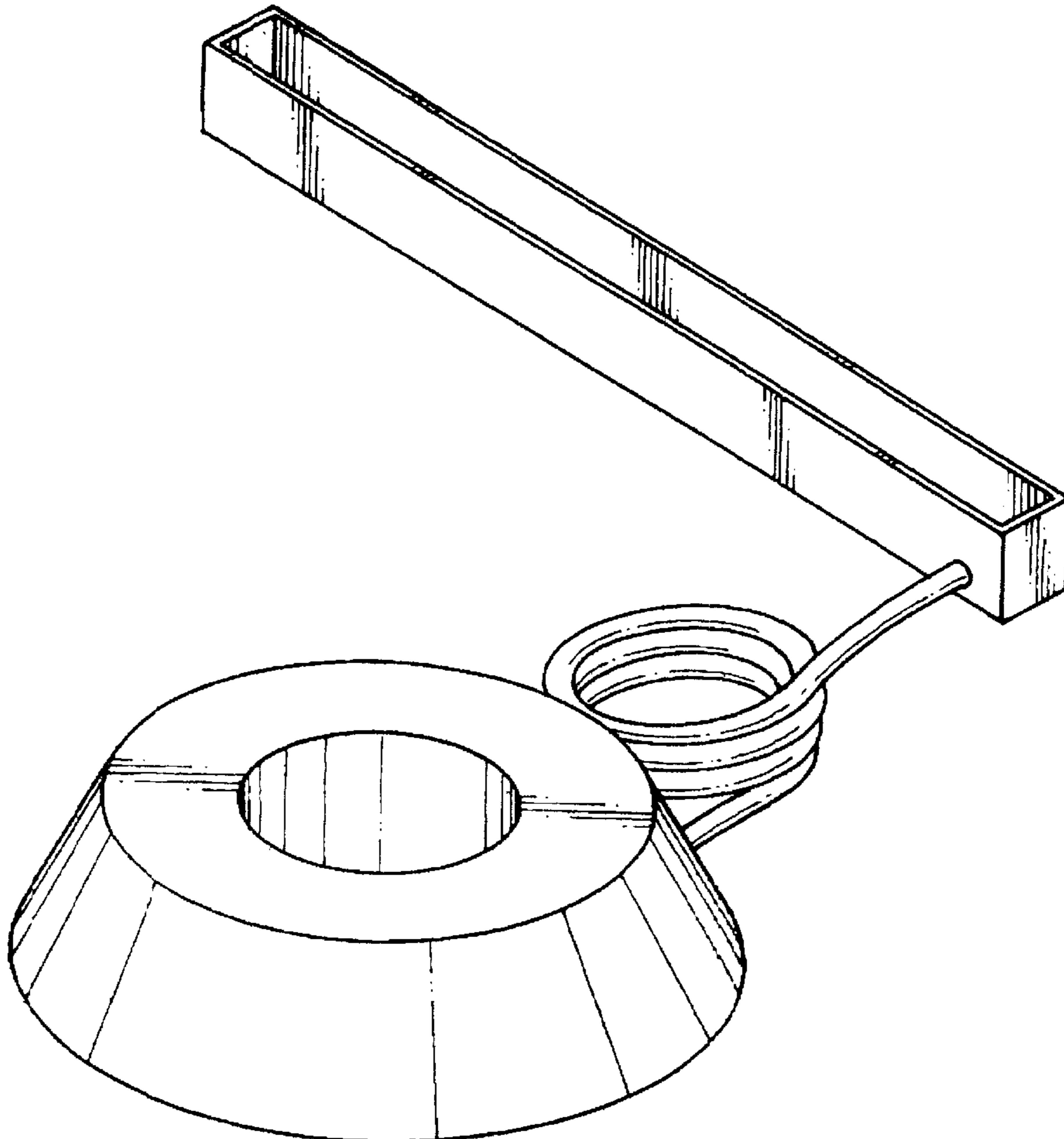
FIG. 8 is a perspective view showing the automatic Christmas tree waterer in use; the broken line showing of environmental structure is for illustrative purposes only and forms no part of the claimed design.

(56) **References Cited**

U.S. PATENT DOCUMENTS

4,051,627	A	*	10/1977	Schilling	47/79
4,447,983	A	*	5/1984	Shinada	47/48.5
4,653,224	A		3/1987	Weckesser		
4,825,587	A		5/1989	Stancil		
4,930,252	A		6/1990	Krause et al.		
5,243,782	A		9/1993	Jones		
D383,650	S	*	9/1997	Pieri	D8/1

1 Claim, 4 Drawing Sheets



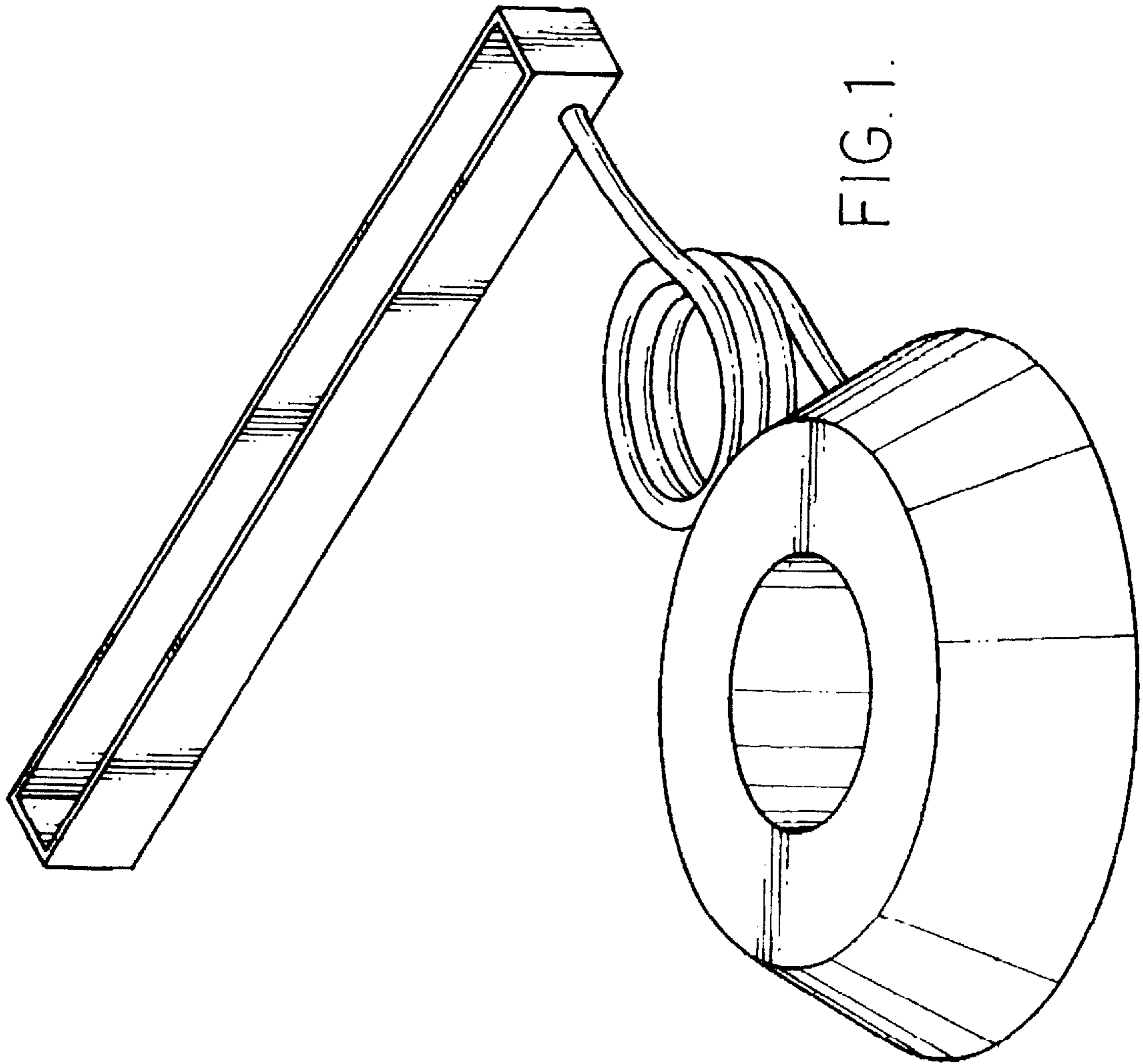


FIG. 1.

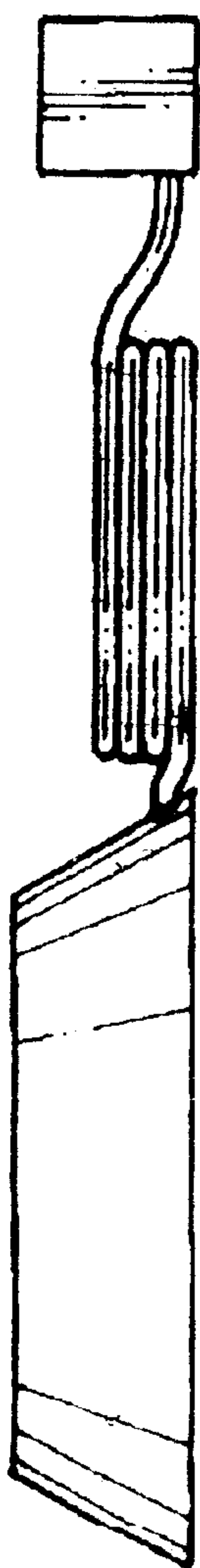


FIG. 2.

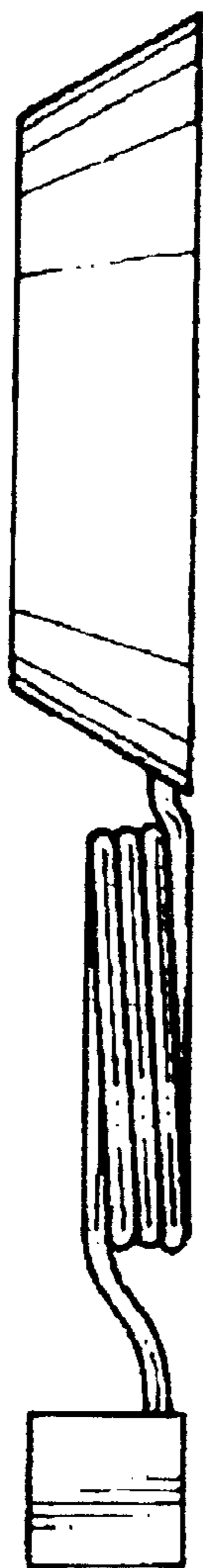


FIG. 3.

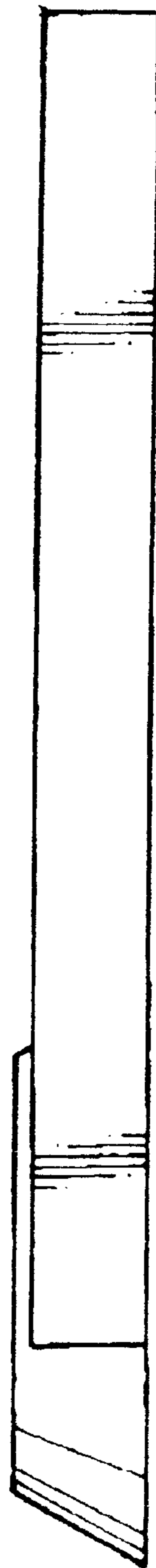


FIG. 4.

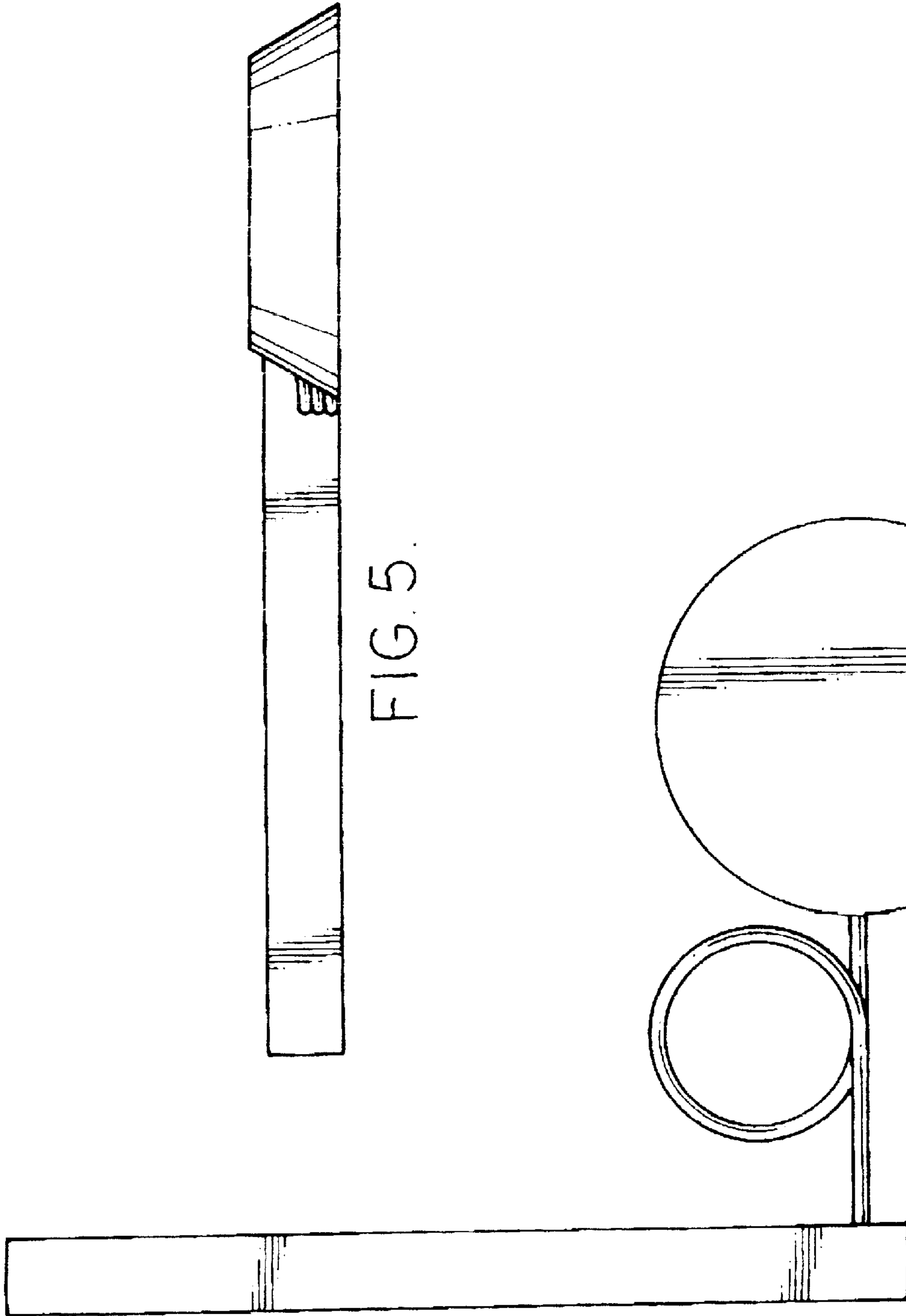


FIG. 5.

FIG. 7.

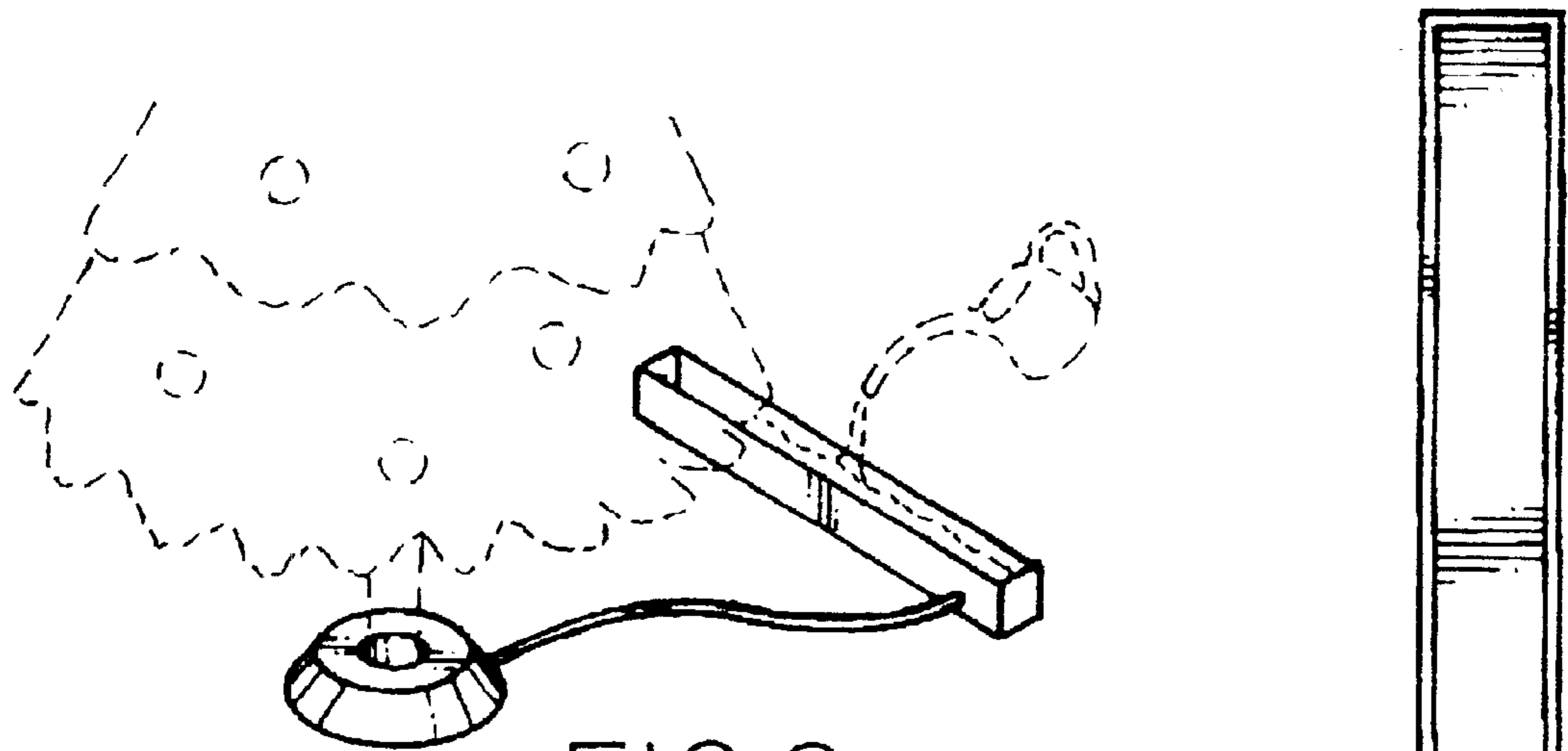


FIG. 8.

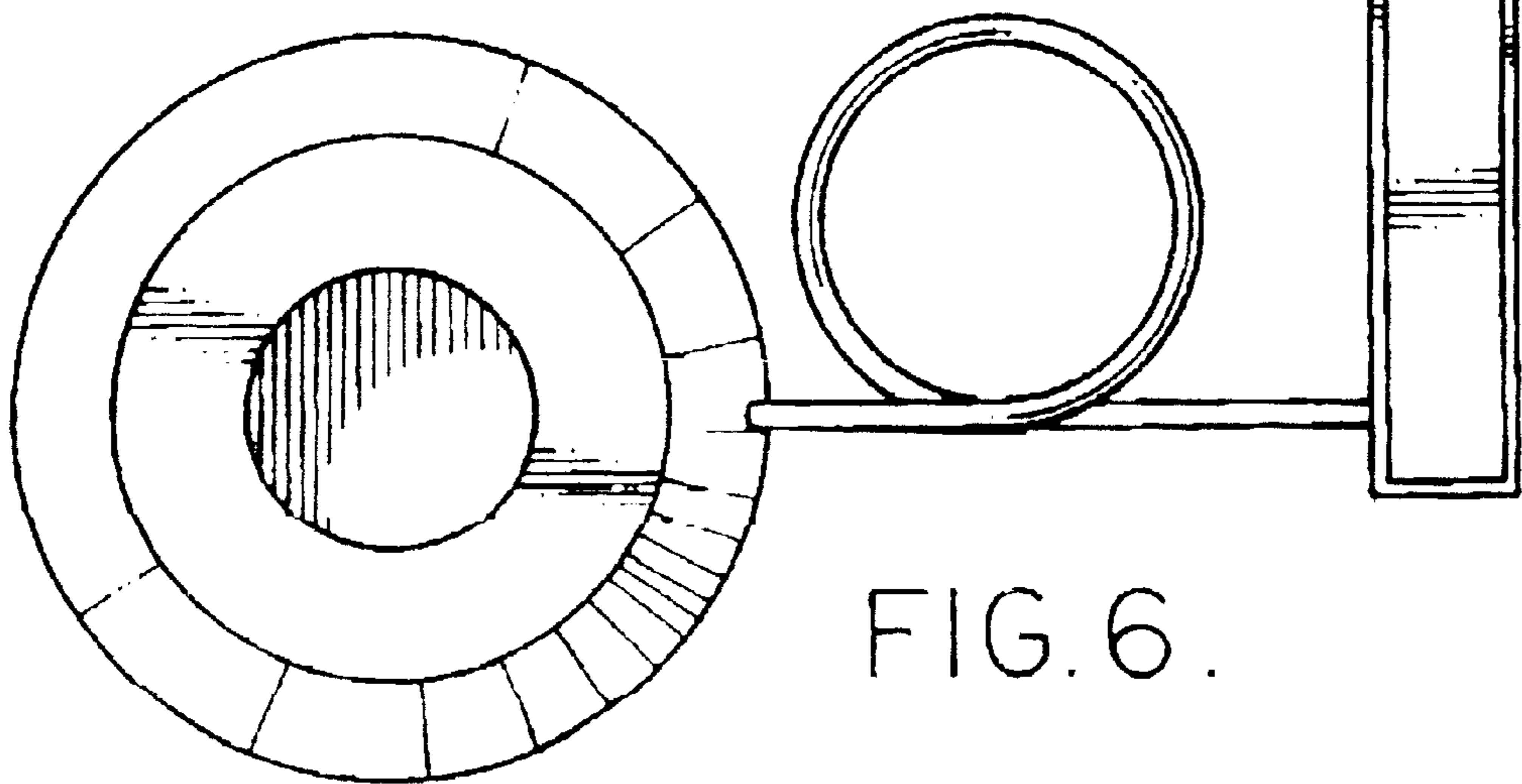


FIG. 6.