



US00D467474S

(12) **United States Design Patent** (10) **Patent No.:** **US D467,474 S**
Laib (45) **Date of Patent:** **** Dec. 24, 2002**

(54) **ICE CREAM SCOOP**

D407,612 S 4/1999 Hansen et al. D7/681

(75) Inventor: **Douglas M. Laib**, Orlando, FL (US)

OTHER PUBLICATIONS

(73) Assignee: **Dart Industries, Inc.**, Orlando, FL (US)

Cooking Utensils Handle—Tupperware—130793—D200—9 pages.
Zeroll—Ice Cream Scoop—4 pages.

(**) Term: **14 Years**

* cited by examiner

(21) Appl. No.: **29/154,795**

Primary Examiner—Terry A. Wallace

(22) Filed: **Jan. 29, 2002**

(74) *Attorney, Agent, or Firm*—Taylor J. Ross

(51) **LOC (7) Cl.** **07-99**

(57) **CLAIM**

(52) **U.S. Cl.** **D7/681**

The ornamental design for an ice cream scoop, as shown and described.

(58) **Field of Search** D7/681, 646, 691, D7/692, 393–395; 30/324–328; 294/55; 425/276, 279, 283, 286, DIG. 13

DESCRIPTION

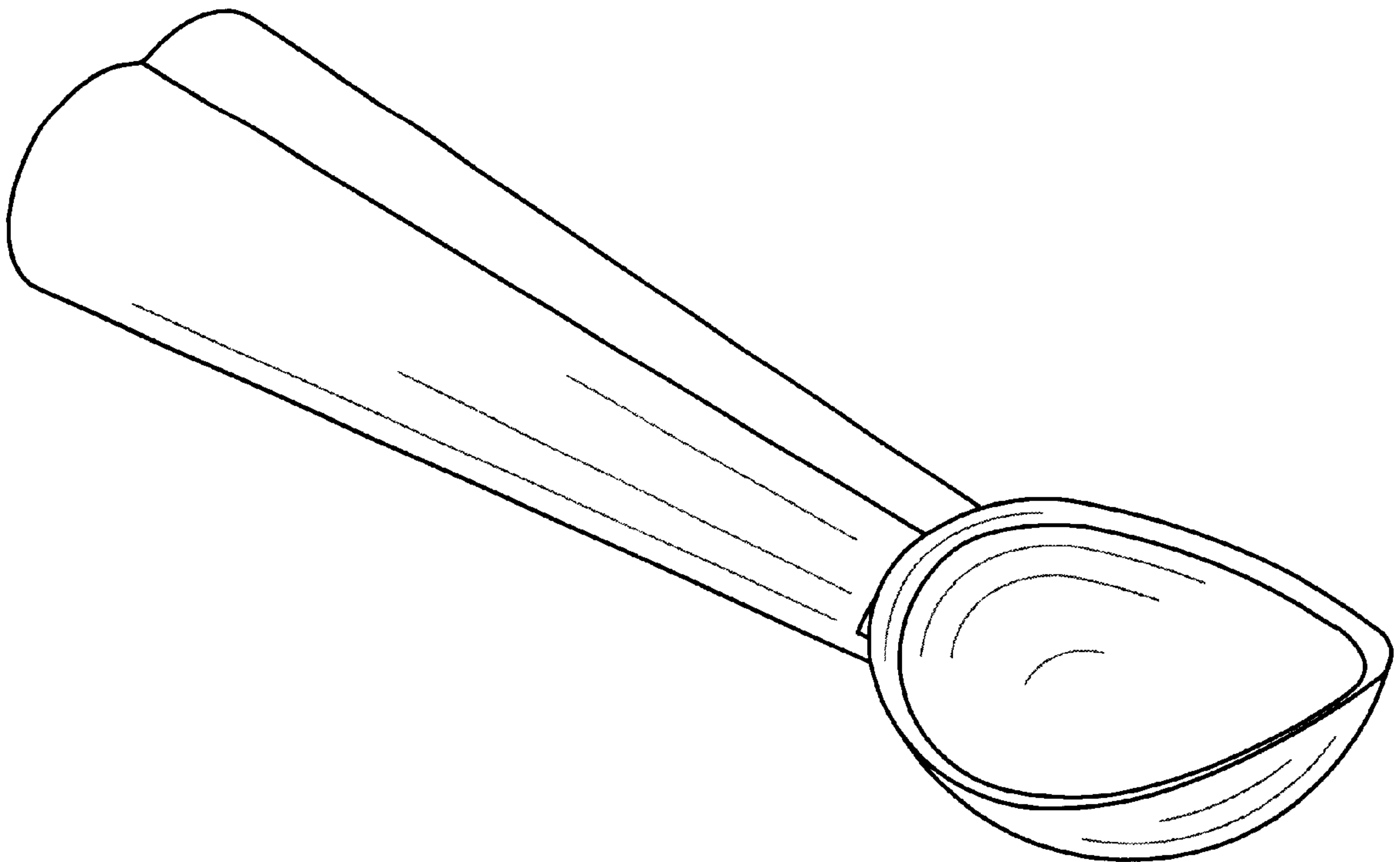
(56) **References Cited**

FIG. 1 is a top, side and front perspective view of an ice cream scoop showing the new design;
FIG. 2 is a left side elevation view thereof;
FIG. 3 is a right side elevation view thereof;
FIG. 4 is a front elevation view thereof;
FIG. 5 is a rear elevation view thereof;
FIG. 6 is a top plan view thereof; and,
FIG. 7 is a bottom plan view thereof.

U.S. PATENT DOCUMENTS

2,210,623 A	8/1940	Kelly	
2,351,568 A	6/1944	Wheaton	
D186,853 S	* 12/1959	Reichow D7/681
3,358,619 A	12/1967	Pareira	
D329,784 S	9/1992	Wong	
D335,070 S	* 4/1993	Empie D7/681
D391,811 S	3/1998	Molo D7/681

1 Claim, 2 Drawing Sheets



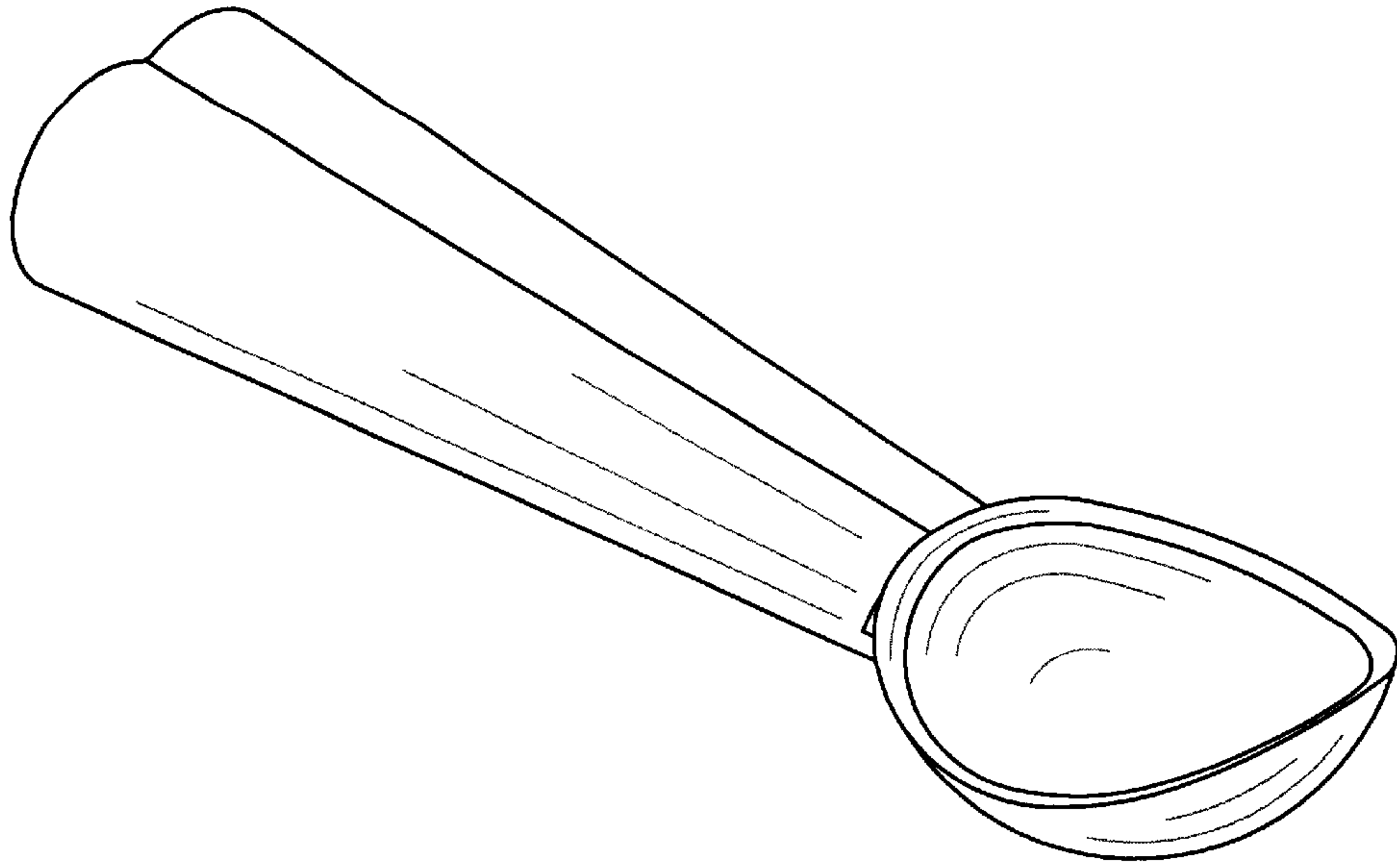


FIG. 1

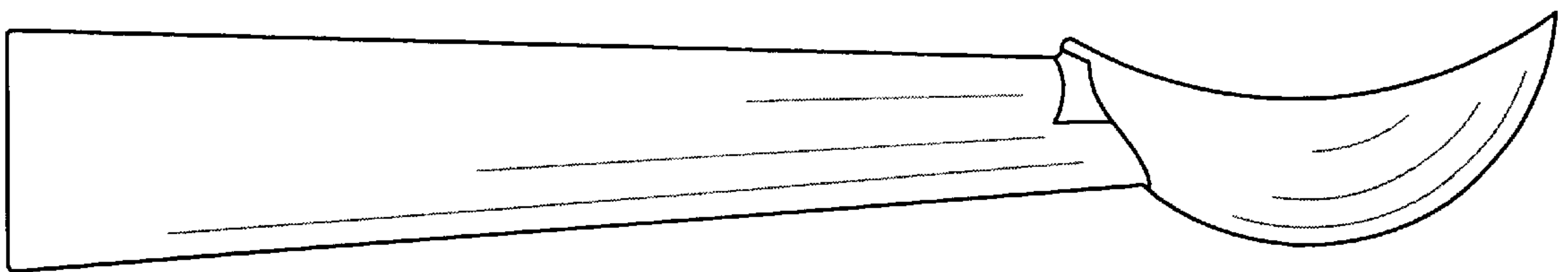


FIG. 2

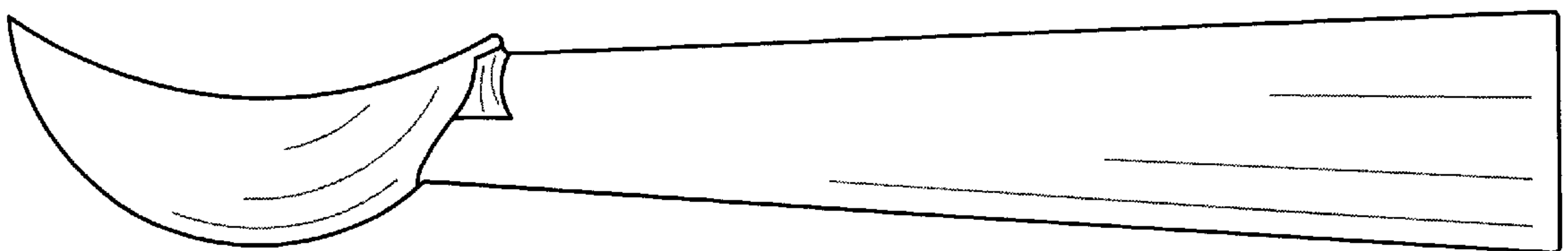


FIG. 3

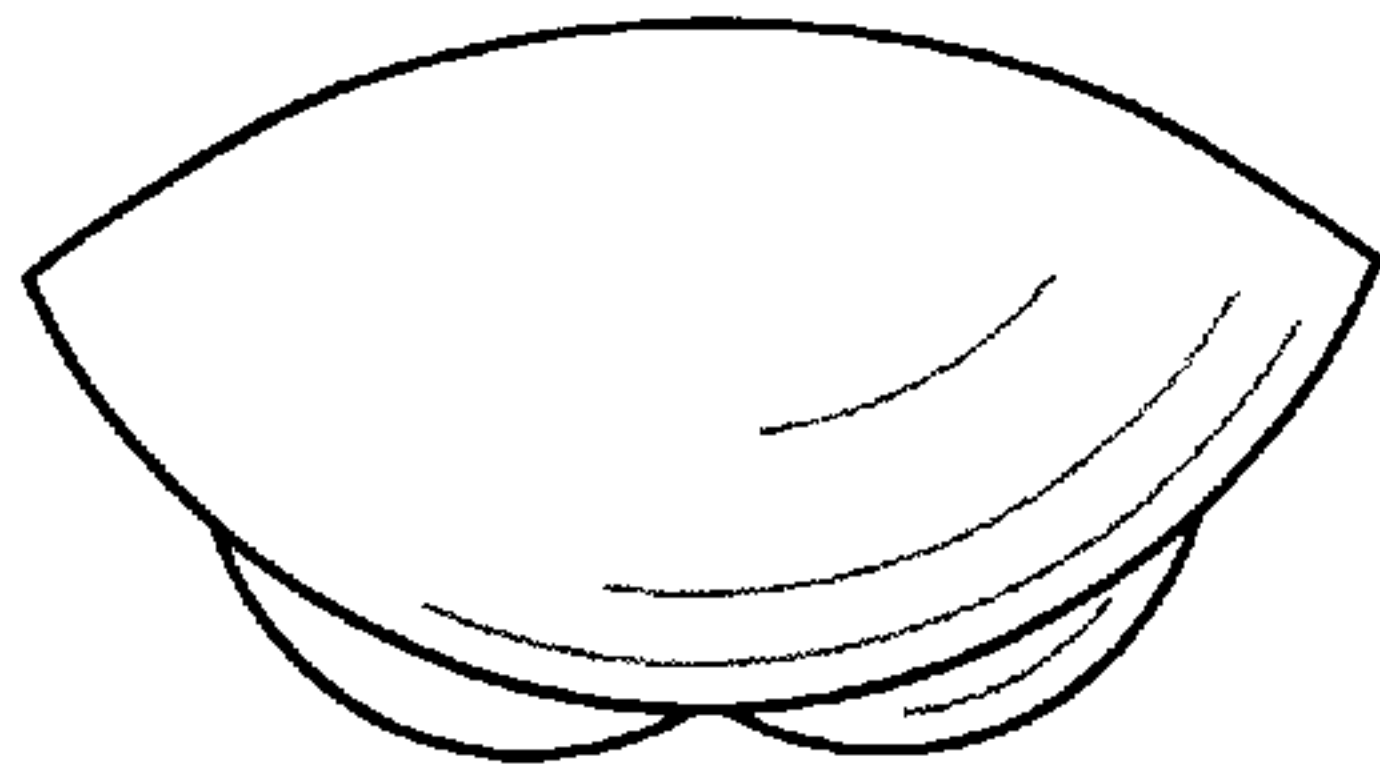


FIG. 4

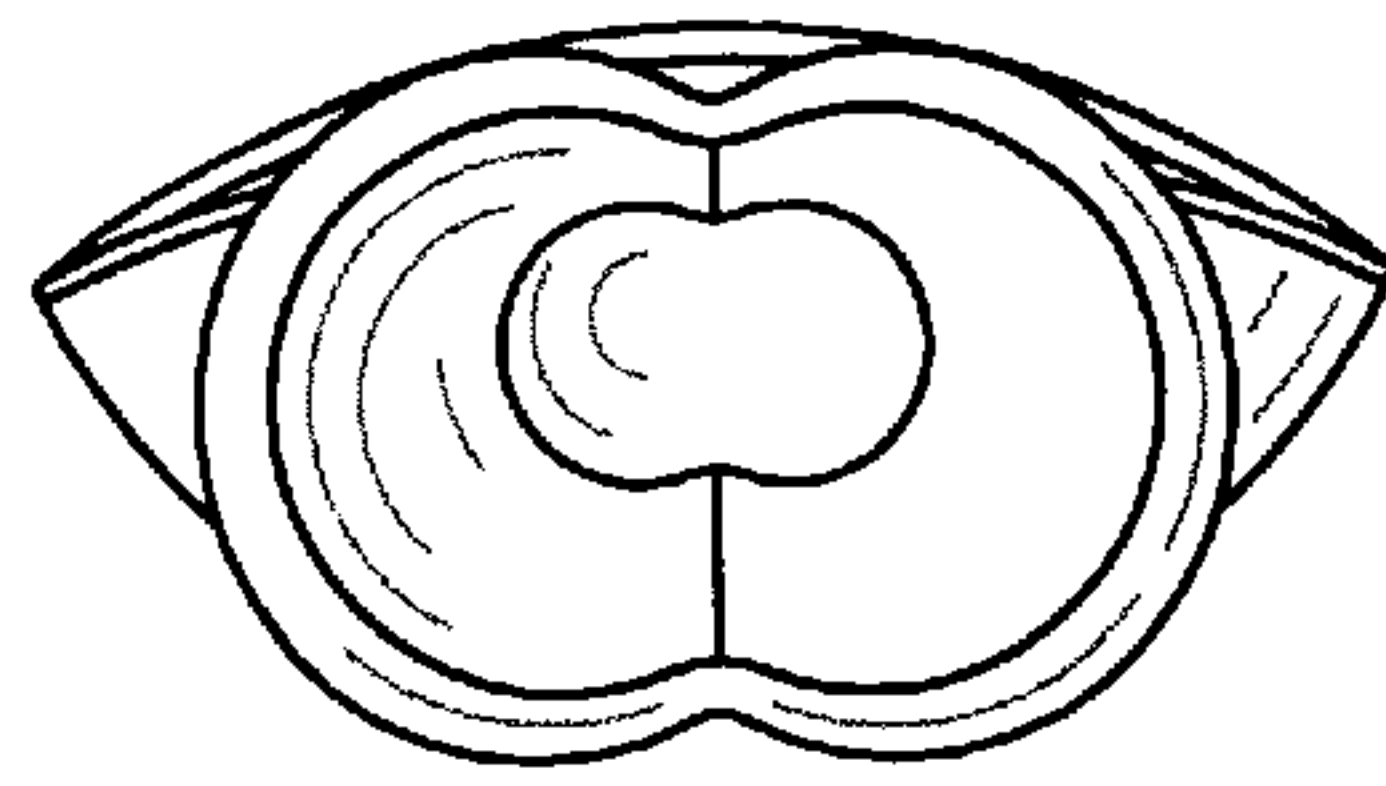


FIG. 5

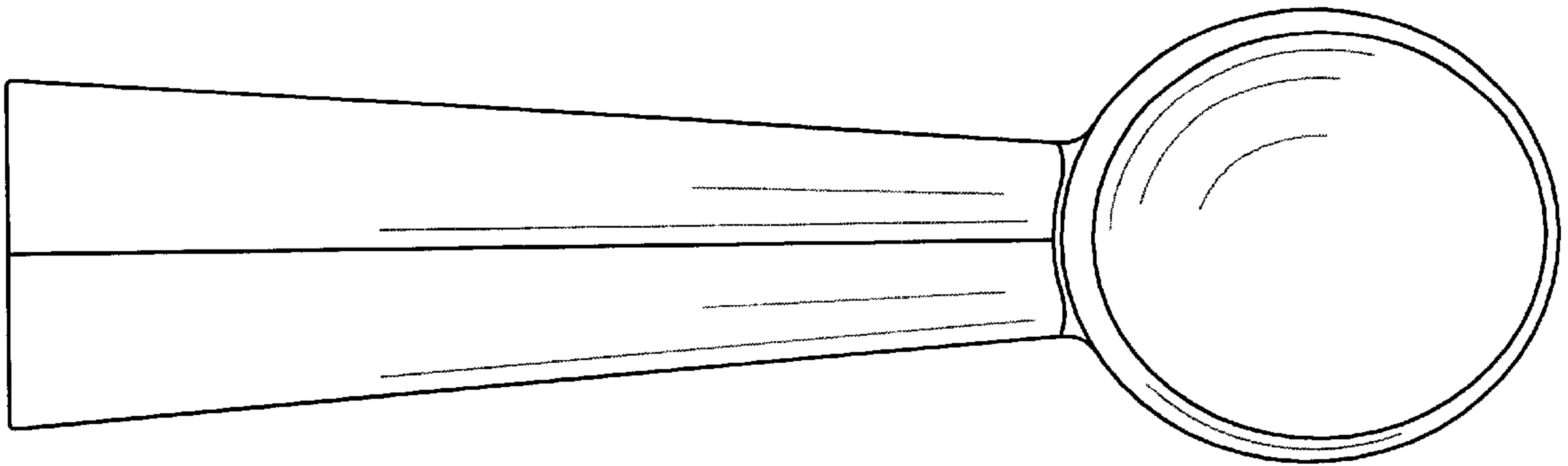


FIG. 6

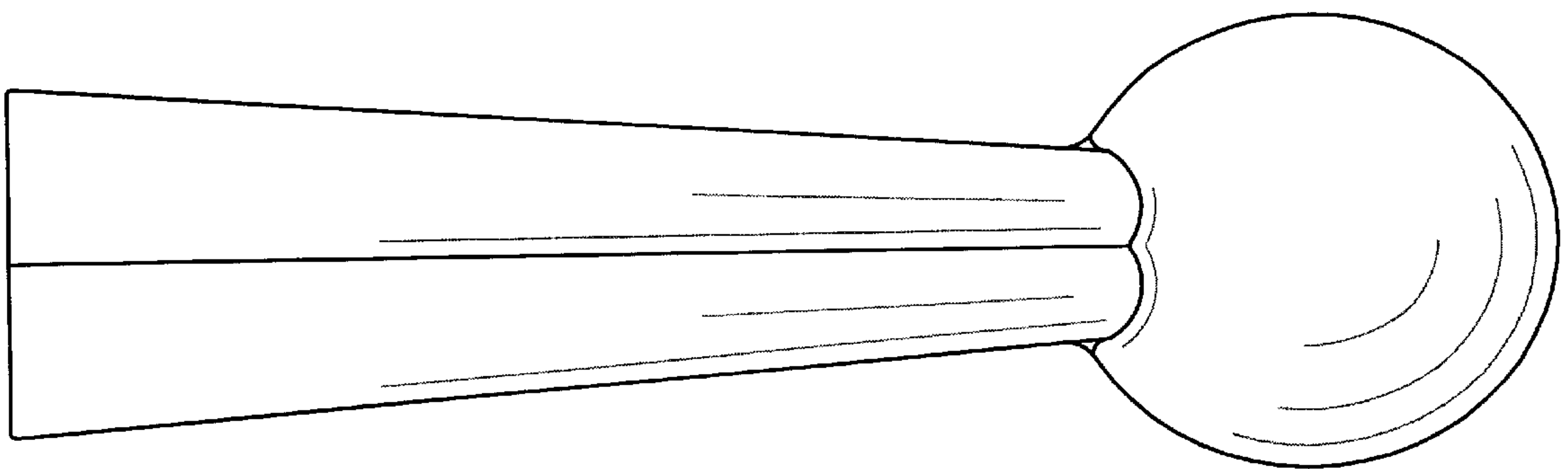


FIG. 7