



US00D467473S

(12) **United States Design Patent**
Kerr

(10) **Patent No.:** **US D467,473 S**

(45) **Date of Patent:** **** Dec. 24, 2002**

(54) **PROTECTIVE PLASTIC COVER FOR GRATER**

4,212,431 A * 7/1980 Doyel 241/273.1 X
5,083,734 A * 1/1992 Ancona et al. 241/273.1 X

(75) Inventor: **Helen Kerr**, Toronto (CA)

* cited by examiner

(73) Assignee: **Browne & Co. Ltd.** (CA)

Primary Examiner—Terry A. Wallace

(**) Term: **14 Years**

(74) *Attorney, Agent, or Firm*—Mark Kusner; Michael A. Jaffe

(21) Appl. No.: **29/152,462**

(57) **CLAIM**

(22) Filed: **Dec. 19, 2001**

The ornamental design for the protective plastic cover for grater, as shown and described.

(30) **Foreign Application Priority Data**

DESCRIPTION

Nov. 8, 2001 (CA) 2001-2679

FIG. 1 is a perspective view of a protective plastic cover for grater showing one aspect of my new design;

(51) **LOC (7) Cl.** **07-04**

FIG. 2 is a left side view thereof;

(52) **U.S. Cl.** **D7/678**

FIG. 3 is front view thereof;

(58) **Field of Search** D7/678, 368, 669,
D7/387; 241/95, 101.2, 273.1, 273.4, 285.2,
100, 84.4; 407/29.1, 29.11

FIG. 4 is a top view thereof;

FIG. 5 is rear view thereof;

FIG. 6 is a right side view thereof; and,

FIG. 7 is a sectional view through the central opening.

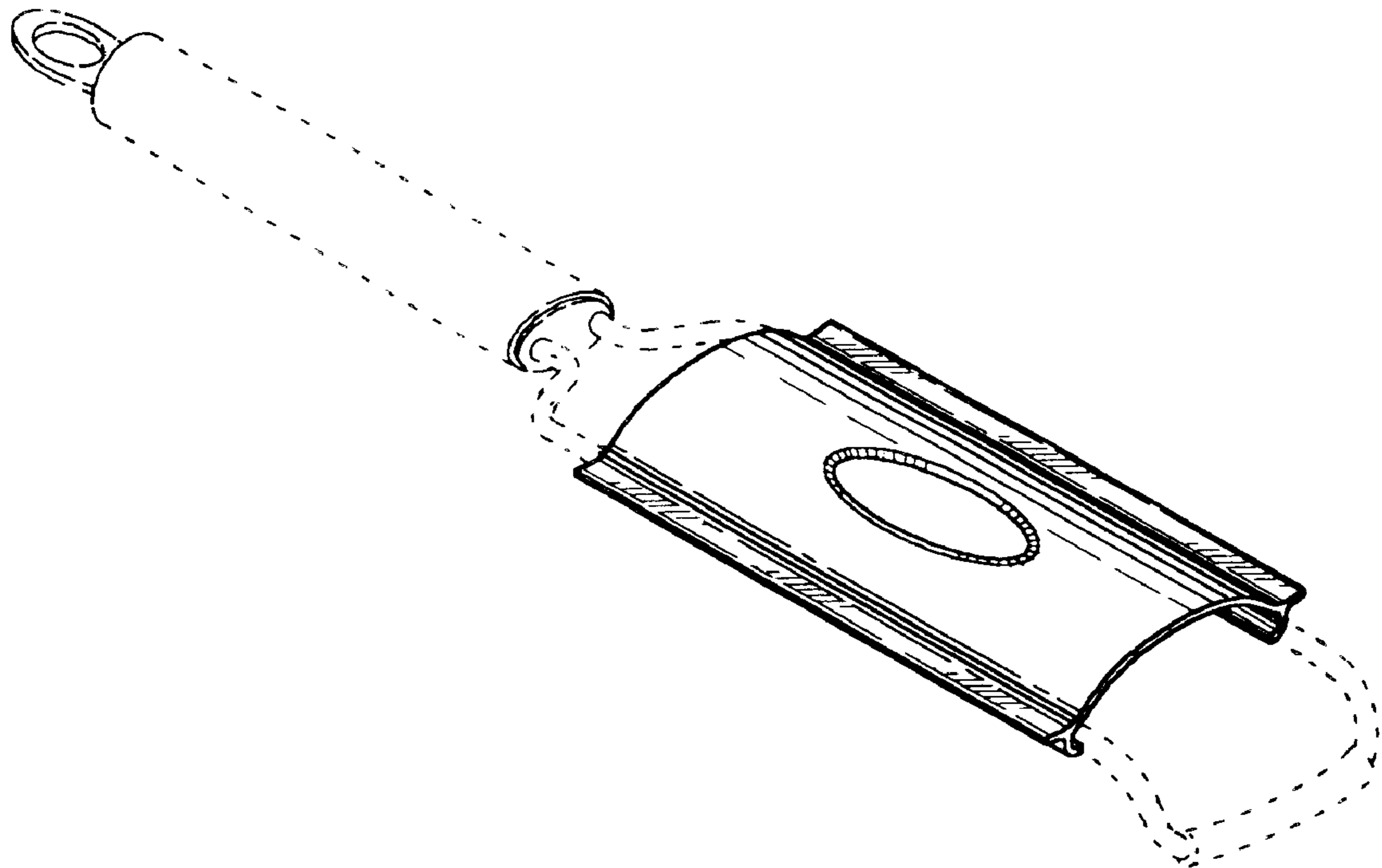
The broken lines are for illustrative purposes only and form no part of the claimed design.

(56) **References Cited**

U.S. PATENT DOCUMENTS

564,656 A * 7/1896 Sobey 241/273.1

1 Claim, 2 Drawing Sheets



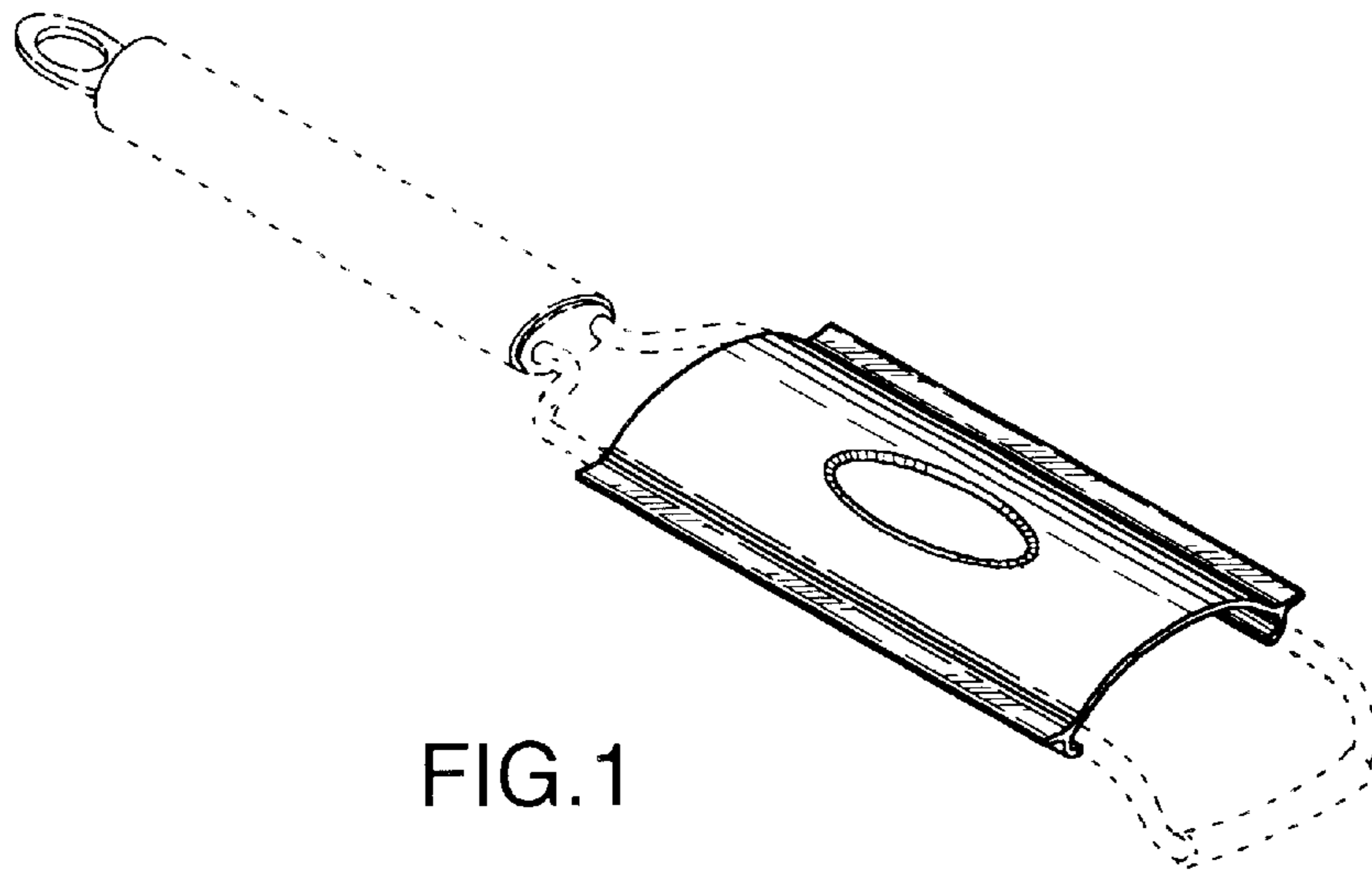


FIG. 1

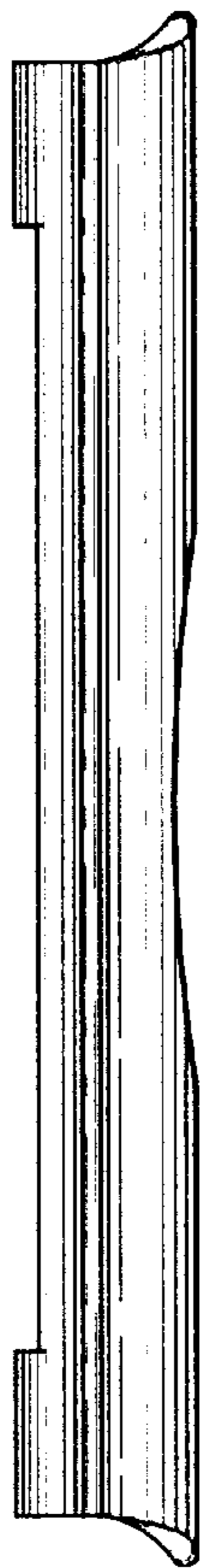


FIG. 2

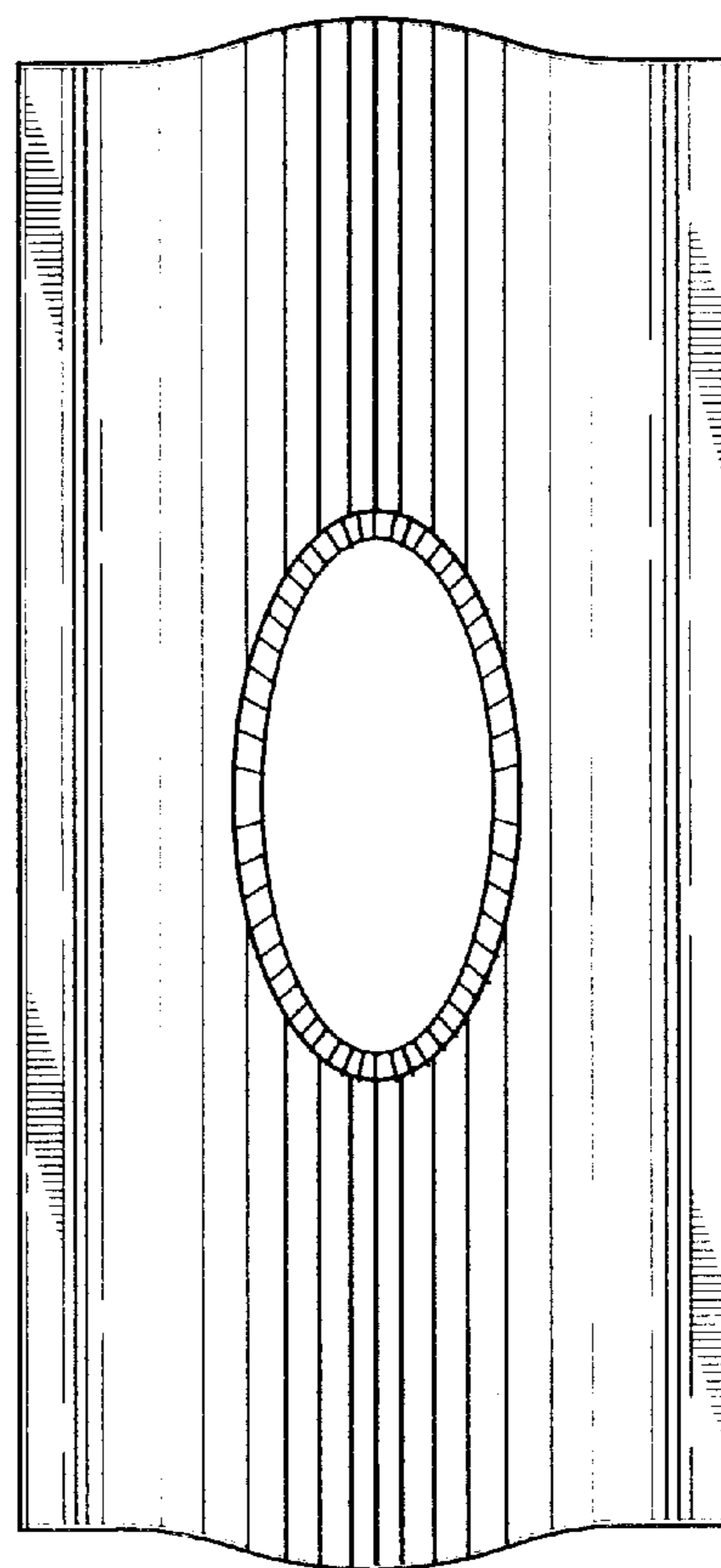


FIG. 3

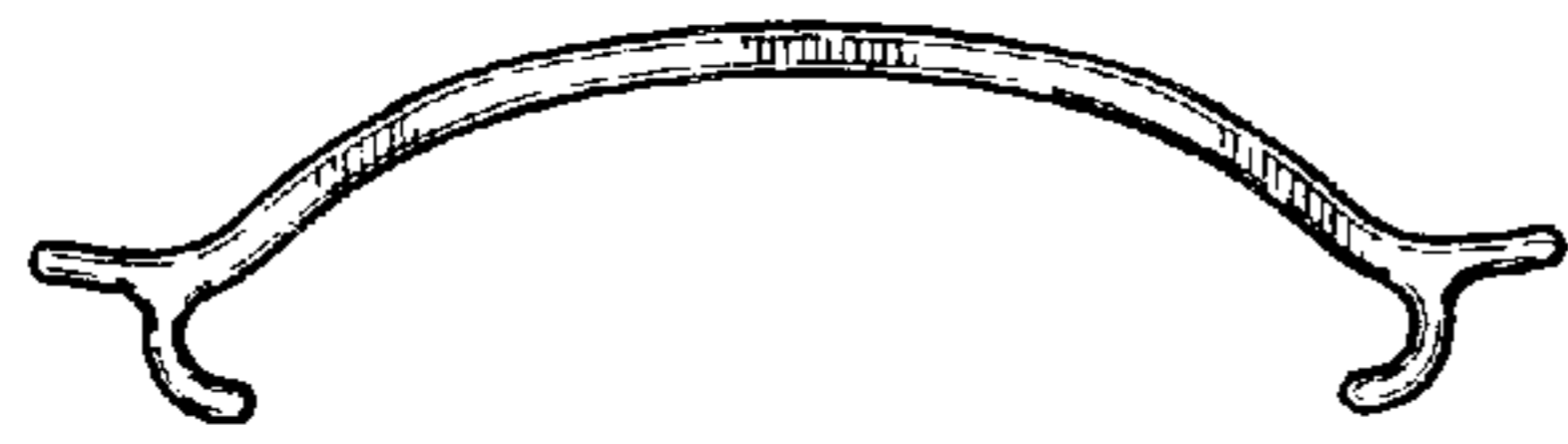


FIG. 4

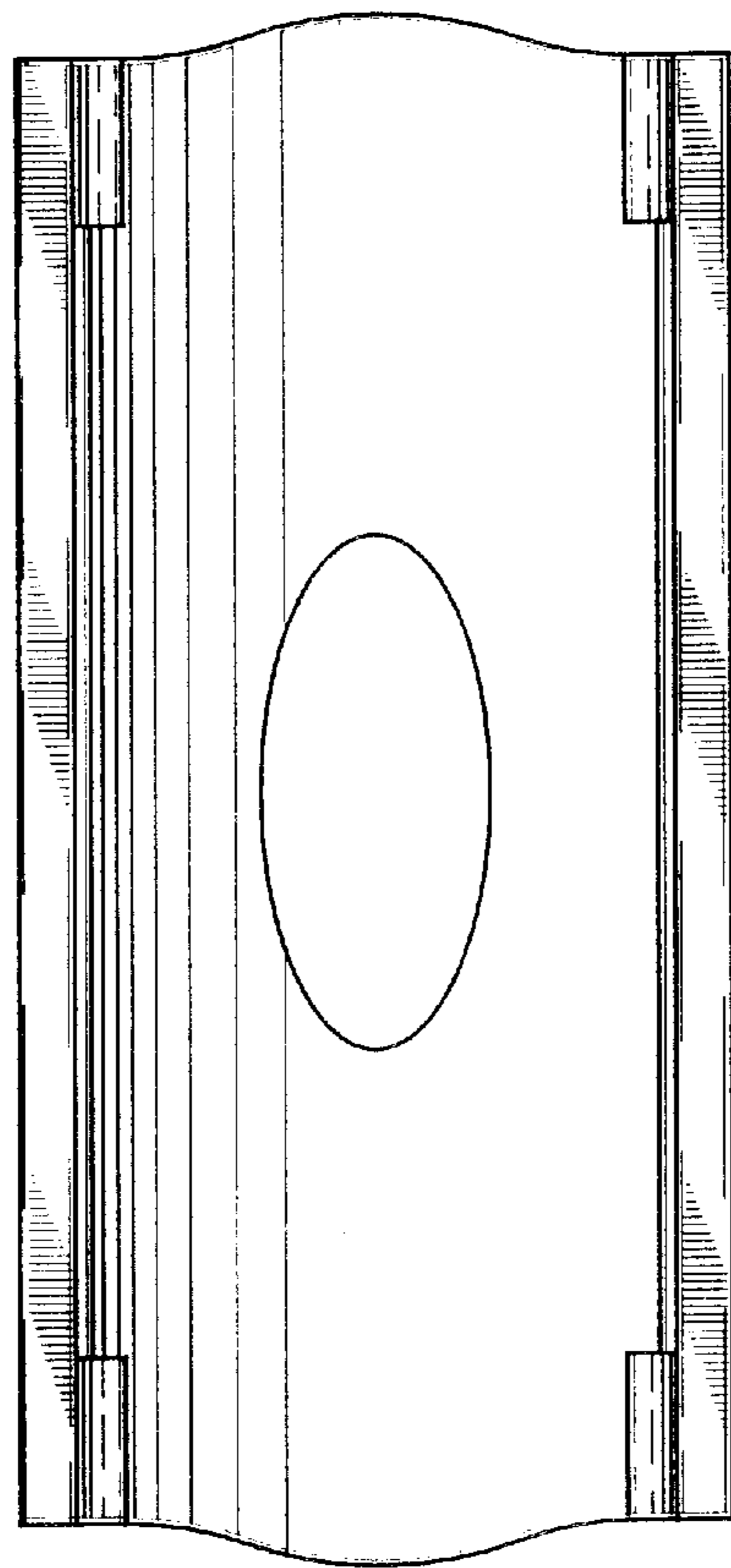


FIG. 5

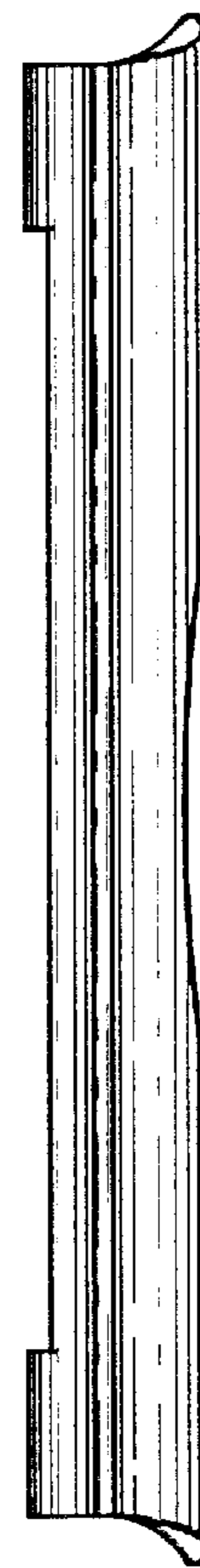


FIG. 6

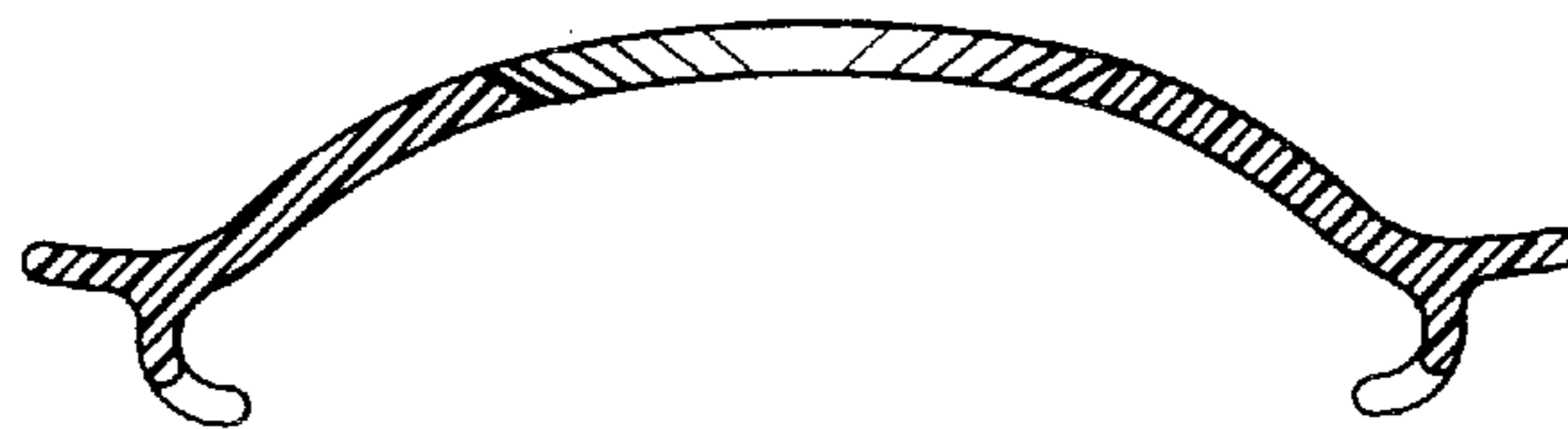


FIG. 7