



US00D467471S

(12) **United States Design Patent**
Hollinger

(10) **Patent No.:** **US D467,471 S**

(45) **Date of Patent:** **** Dec. 24, 2002**

(54) **NAPKIN HOLDER**

D395,798 S * 7/1998 Goodman D7/631

D405,323 S * 2/1999 Goodman et al. D7/631

D416,449 S * 11/1999 Goodman et al. D7/631

(75) **Inventor:** **Fred Hollinger**, Kings Park, NY (US)

(73) **Assignee:** **E + B Giftware LLC**, Yonkers, NY (US)

* cited by examiner

(**) **Term:** **14 Years**

Primary Examiner—Terry A. Wallace

(74) *Attorney, Agent, or Firm*—Gerard F. Dunne

(21) **Appl. No.:** **29/158,592**

(57) **CLAIM**

(22) **Filed:** **Apr. 5, 2002**

I claim the ornamental design for a napkin holder, as shown and described.

Related U.S. Application Data

DESCRIPTION

(62) Division of application No. 29/140,708, filed on Apr. 23, 2001.

(51) **LOC (7) Cl.** **07-06**

FIG. 1 is a perspective view of an ornamental design used for a napkin holder;

(52) **U.S. Cl.** **D7/631**

FIG. 2 is a front elevational view thereof;

(58) **Field of Search** D7/631, 632; D6/462, D6/566, 567; D19/65, 90, 75, 78, 86, 91; 211/41.1, 41.2, 49.1, 45, 50, 181.1

FIG. 3 is a left side elevational view thereof;

FIG. 4 is a right side elevational view thereof;

FIG. 5 is a top plan view thereof; and,

FIG. 6 is a bottom plan view thereof.

(56) **References Cited**

U.S. PATENT DOCUMENTS

D372,937 S * 8/1996 Anders D19/65

1 Claim, 5 Drawing Sheets

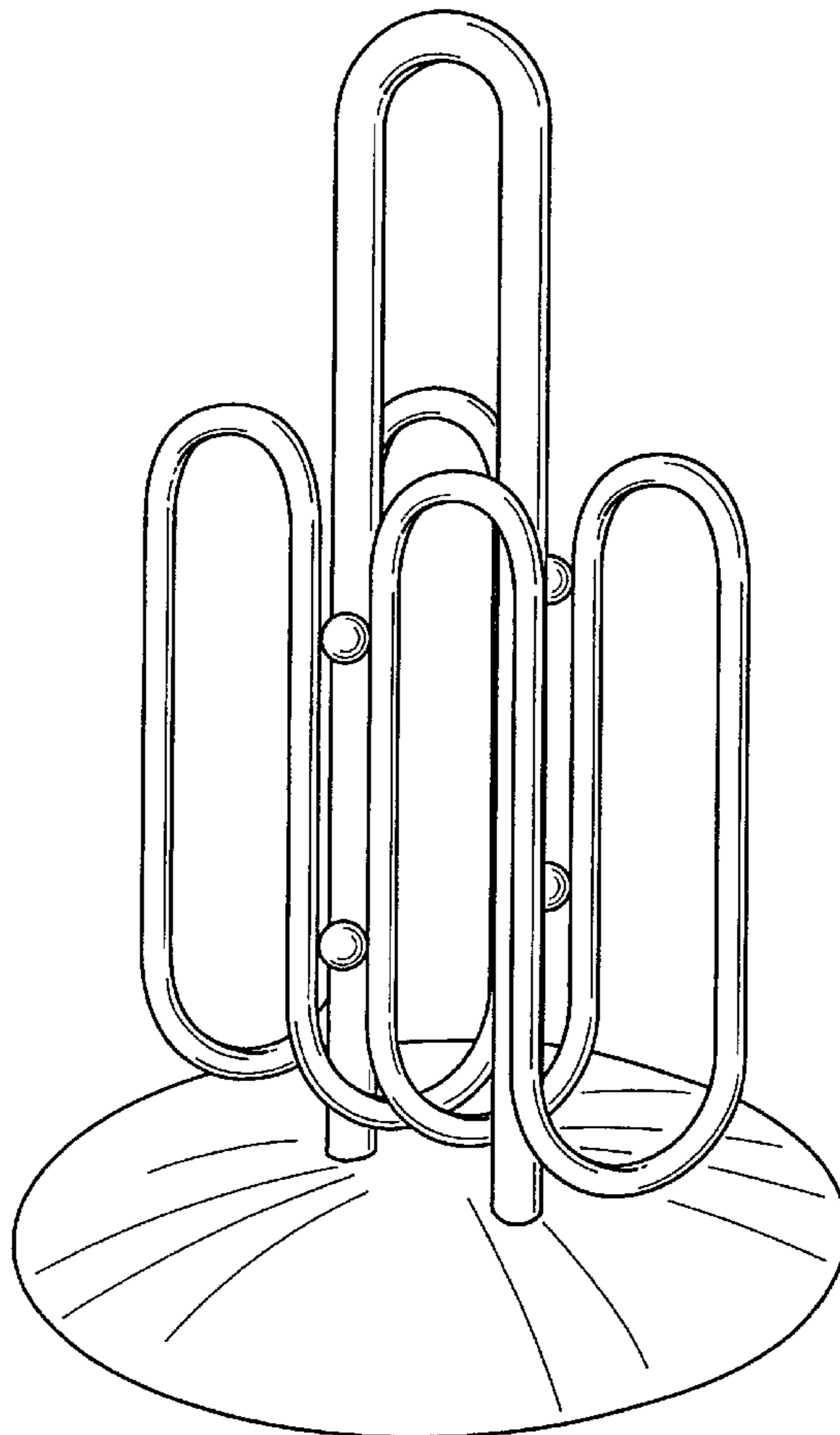


FIG. 1

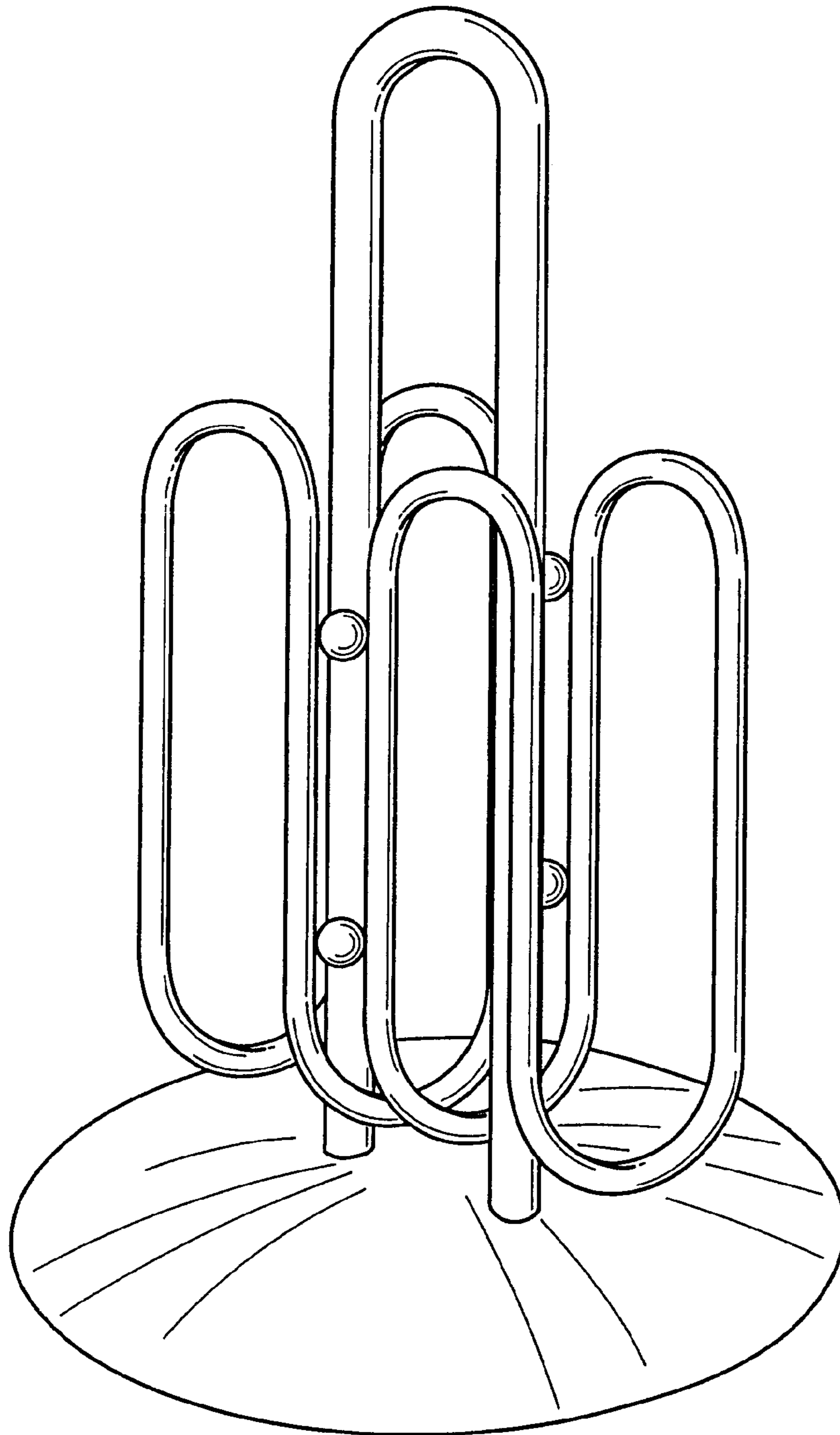


FIG. 2

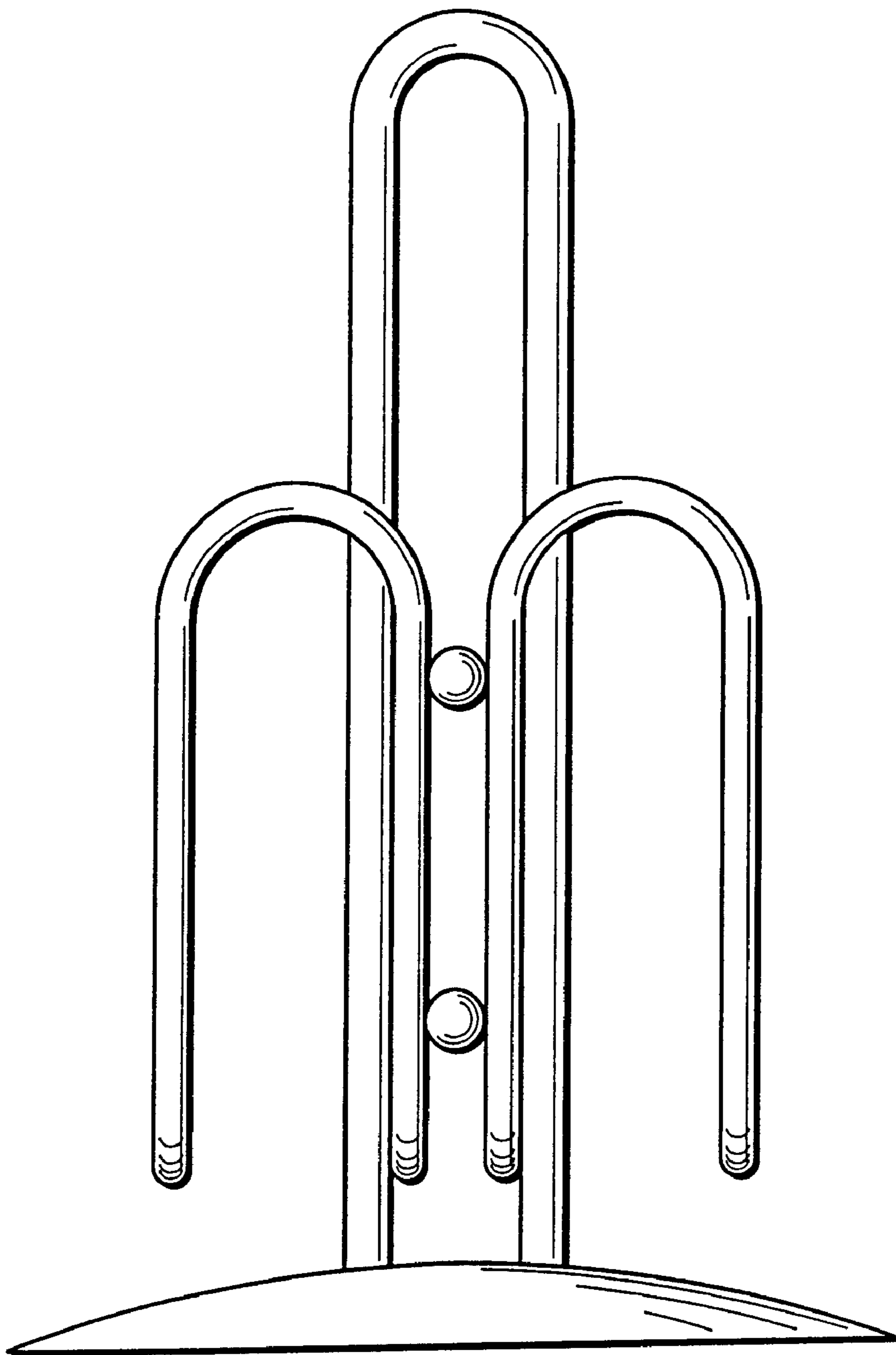


FIG. 3

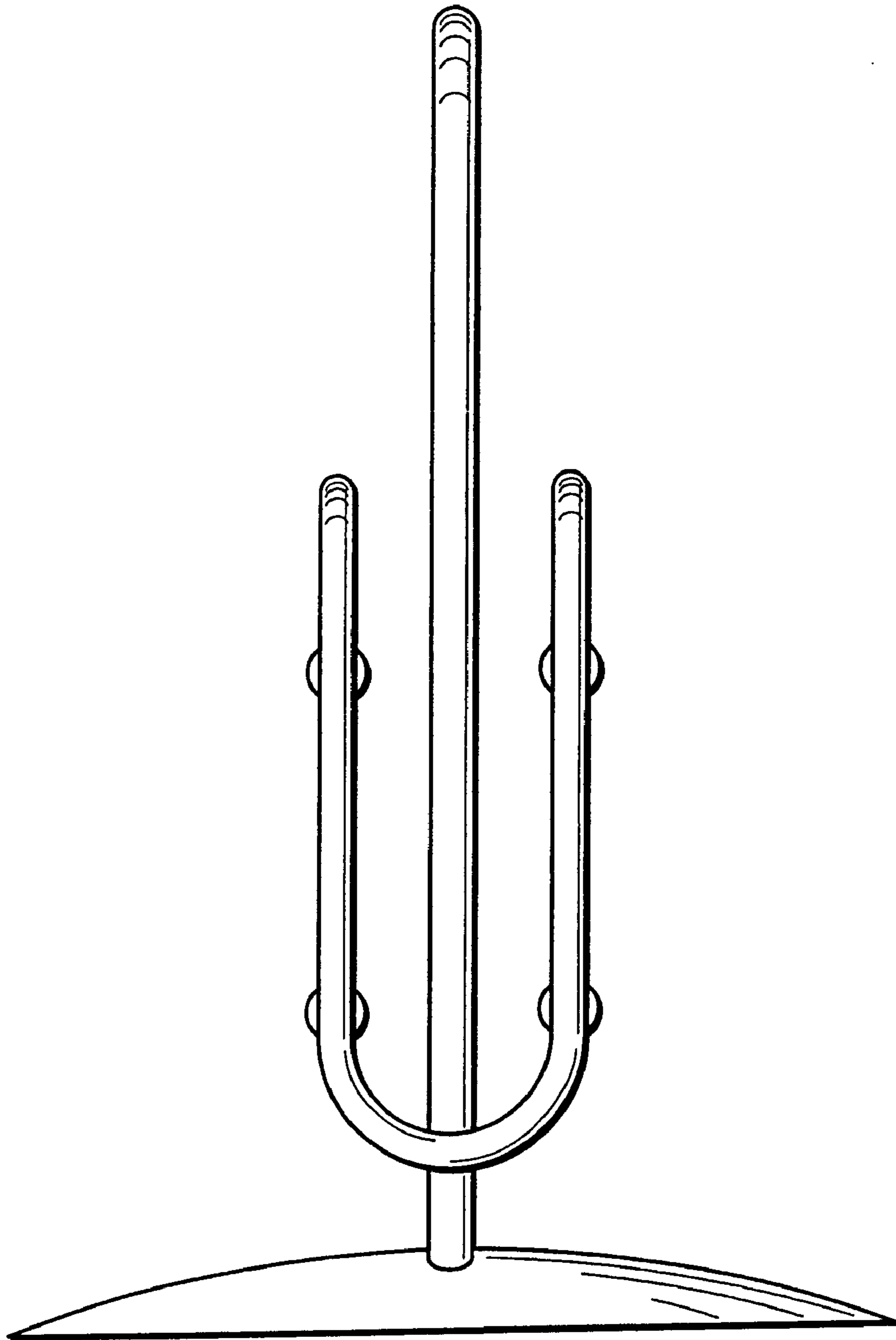


FIG. 4

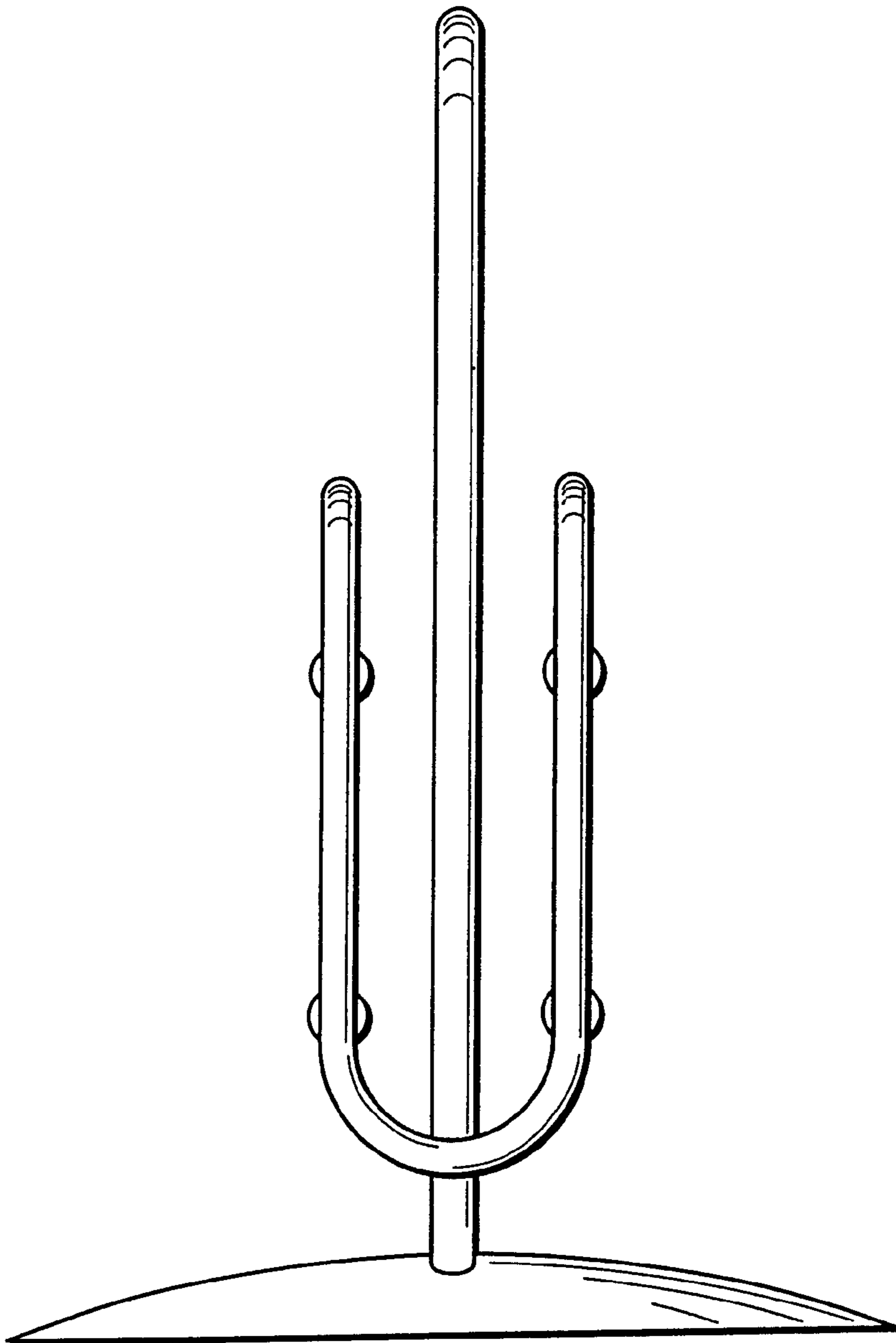


FIG. 5

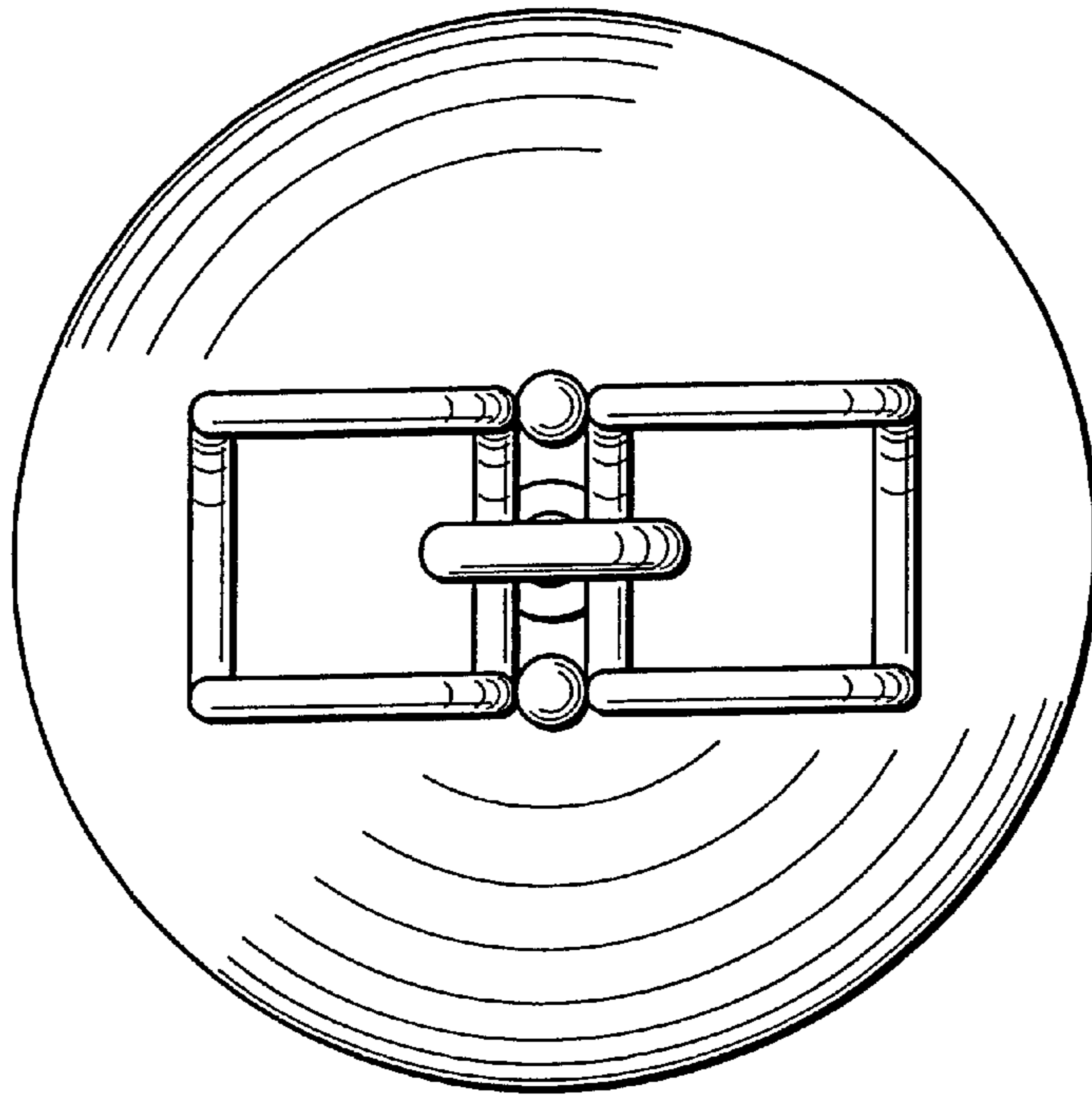


FIG. 6

