



US00D467468S

(12) **United States Design Patent**
Krieger et al.

(10) **Patent No.:** **US D467,468 S**

(45) **Date of Patent:** **** Dec. 24, 2002**

(54) **TRAVEL COOLER AND WARMER CONSOLE**

D381,870 S * 8/1997 Wedi D7/605
D400,053 S * 10/1998 Coffee et al. D7/605

(75) Inventors: **Michael Krieger**, Miami Beach, FL
(US); **Kevin Ellsworth**, Hollywood, FL
(US)

* cited by examiner

Primary Examiner—Terry A. Wallace

(73) Assignee: **Vector Products, Inc.**, Ft. Lauderdale,
FL (US)

(74) *Attorney, Agent, or Firm*—Venable; Robert Kinberg

(**) Term: **14 Years**

(57) **CLAIM**

The ornamental design for a travel cooler and warmer console, as shown and described.

(21) Appl. No.: **29/157,875**

DESCRIPTION

(22) Filed: **Mar. 28, 2002**

FIG. 1 is a top-front-left perspective view of the travel cooler and warmer console showing our new design; FIG. 2 is a front view of the design shown in FIG. 1; FIG. 3 is a back view of the design shown in FIG. 1; FIG. 4 is a left side view of the design shown in FIG. 1; FIG. 5 is a right side view of the design shown in FIG. 1; FIG. 6 is a top view of the design shown in FIG. 1; and FIG. 7 is a bottom view of the design shown in FIG. 1; and FIG. 8 is the same view of the design shown in FIG. 1 with a carrying strap shown in dashed line which forms no part of the claimed design.

(51) **LOC (7) Cl.** **07-01**

(52) **U.S. Cl.** **D7/605**

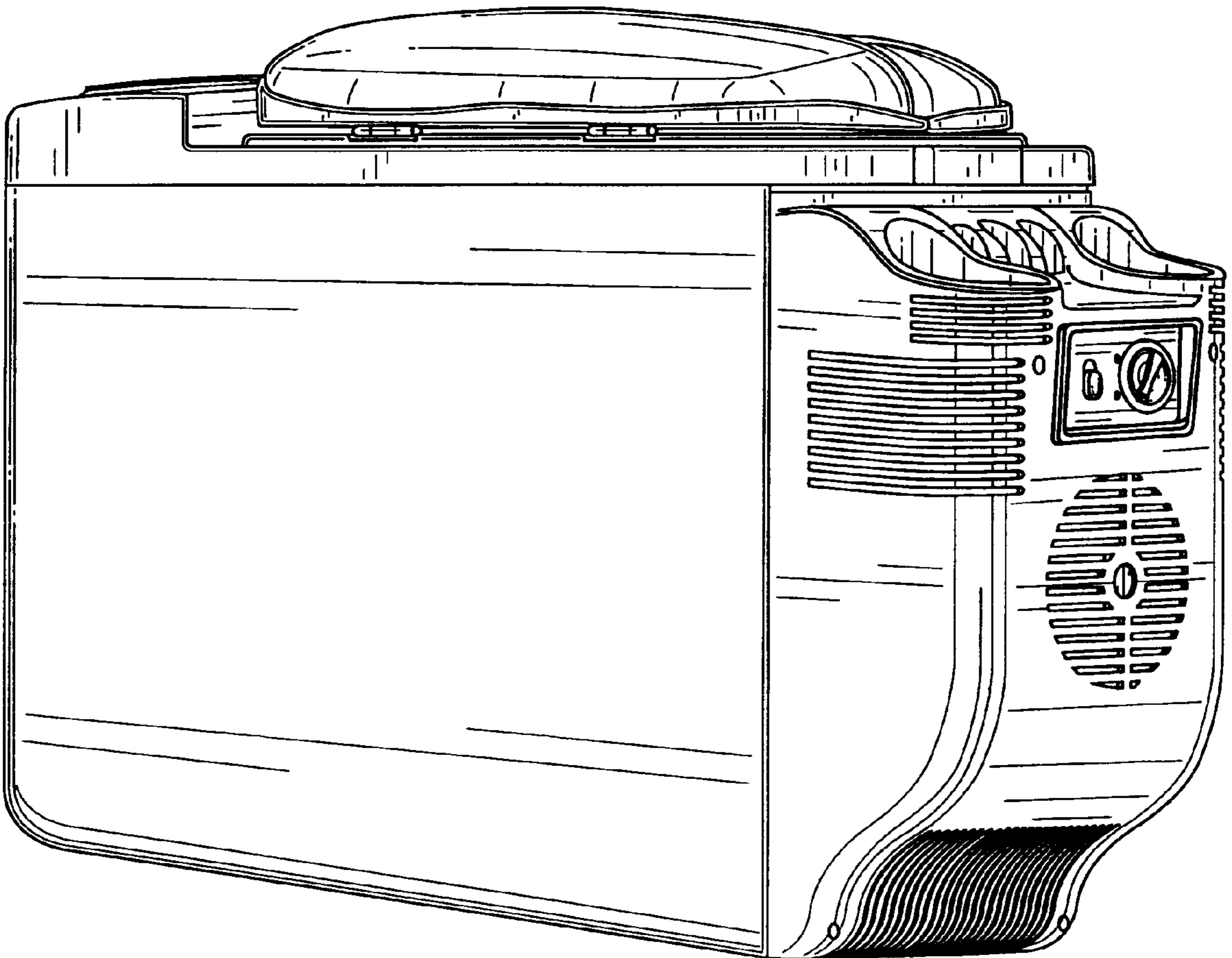
(58) **Field of Search** D7/605-608; D12/415,
D12/419, 423-4; 62/457.1, 457.7, 371,
372; 220/592.16, 592.2, 592.24-592.27,
915.1, 915.2

(56) **References Cited**

U.S. PATENT DOCUMENTS

5,319,937 A * 6/1994 Fritsch et al. 62/457.7

1 Claim, 7 Drawing Sheets



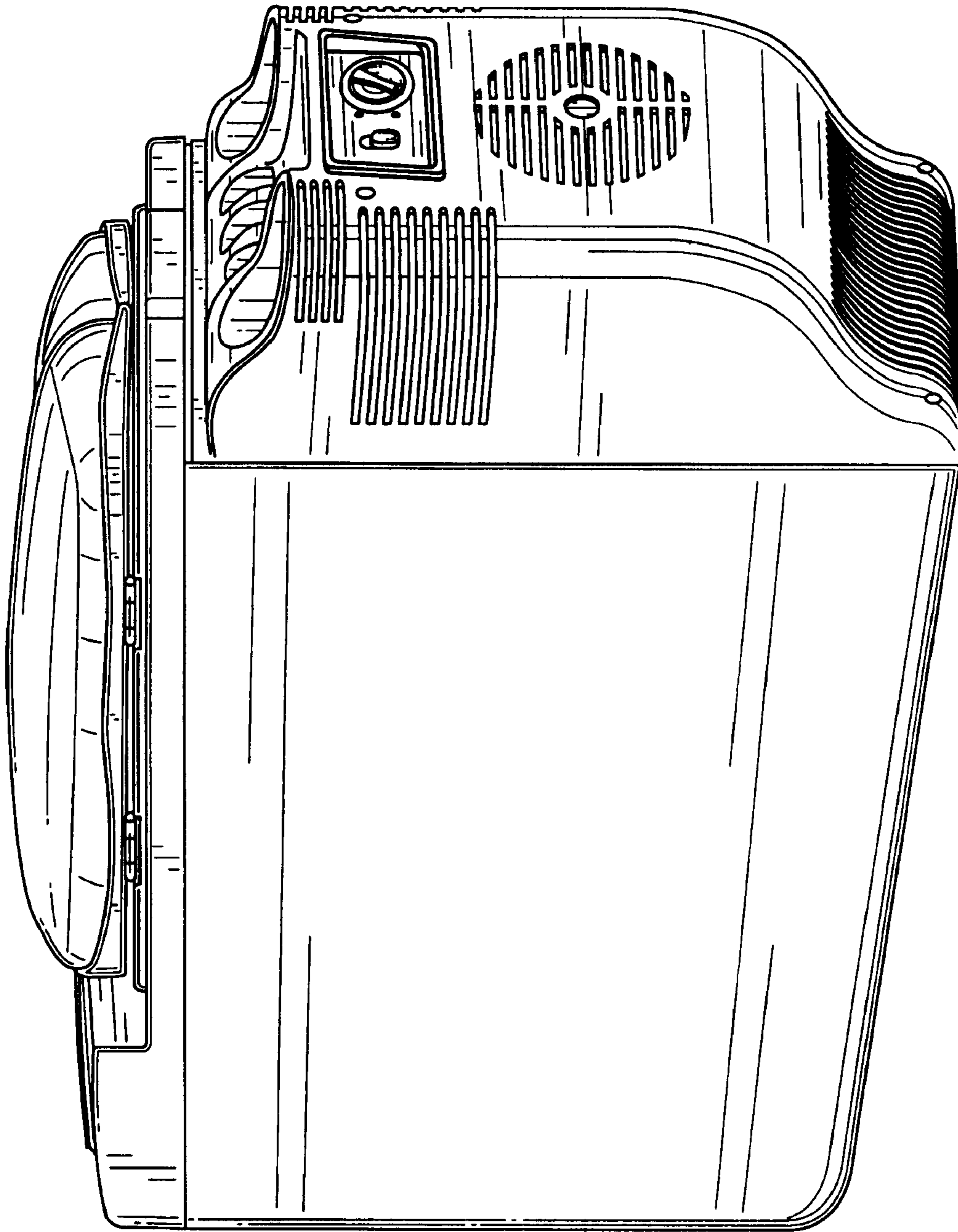


FIG. 1

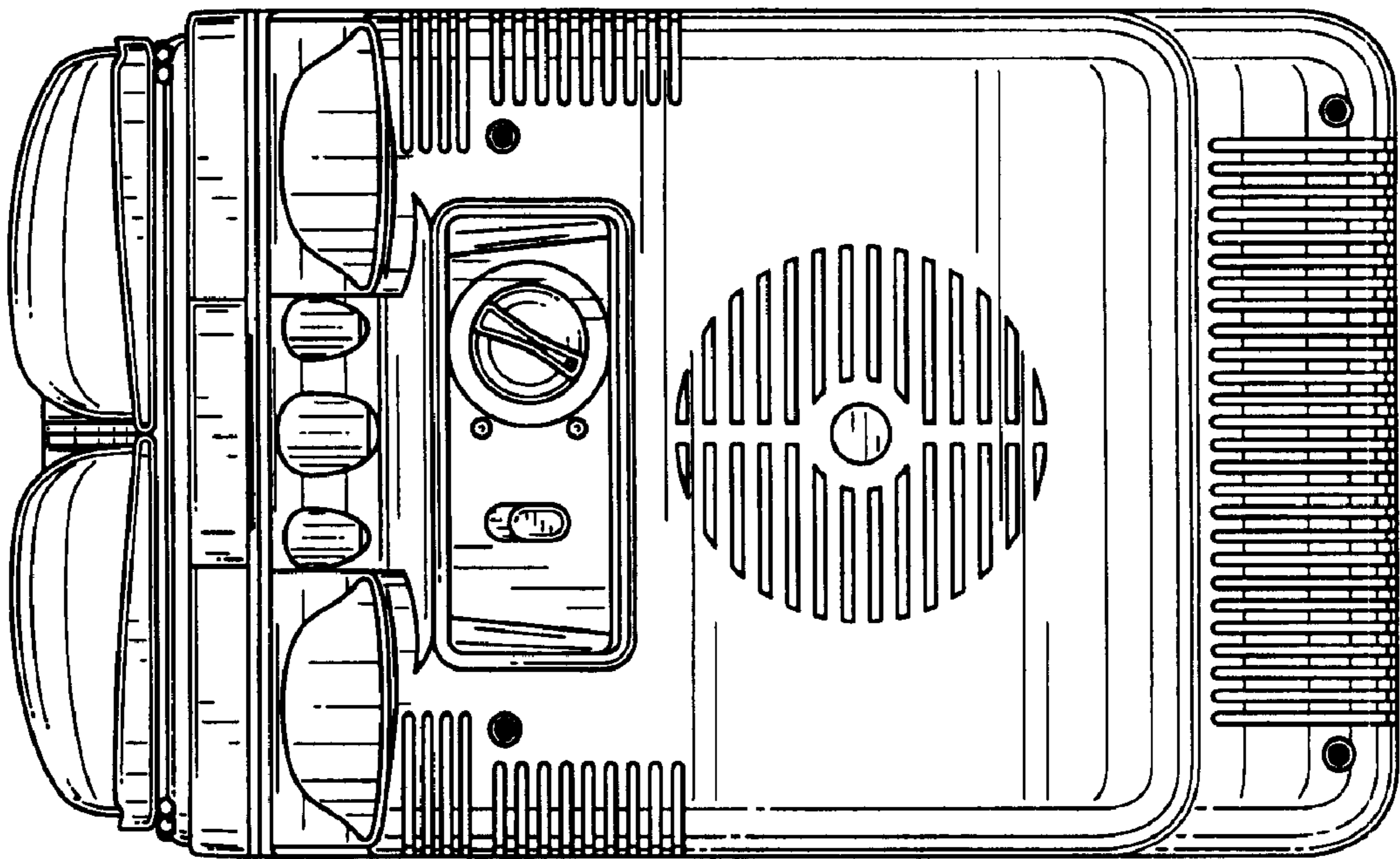


FIG. 2

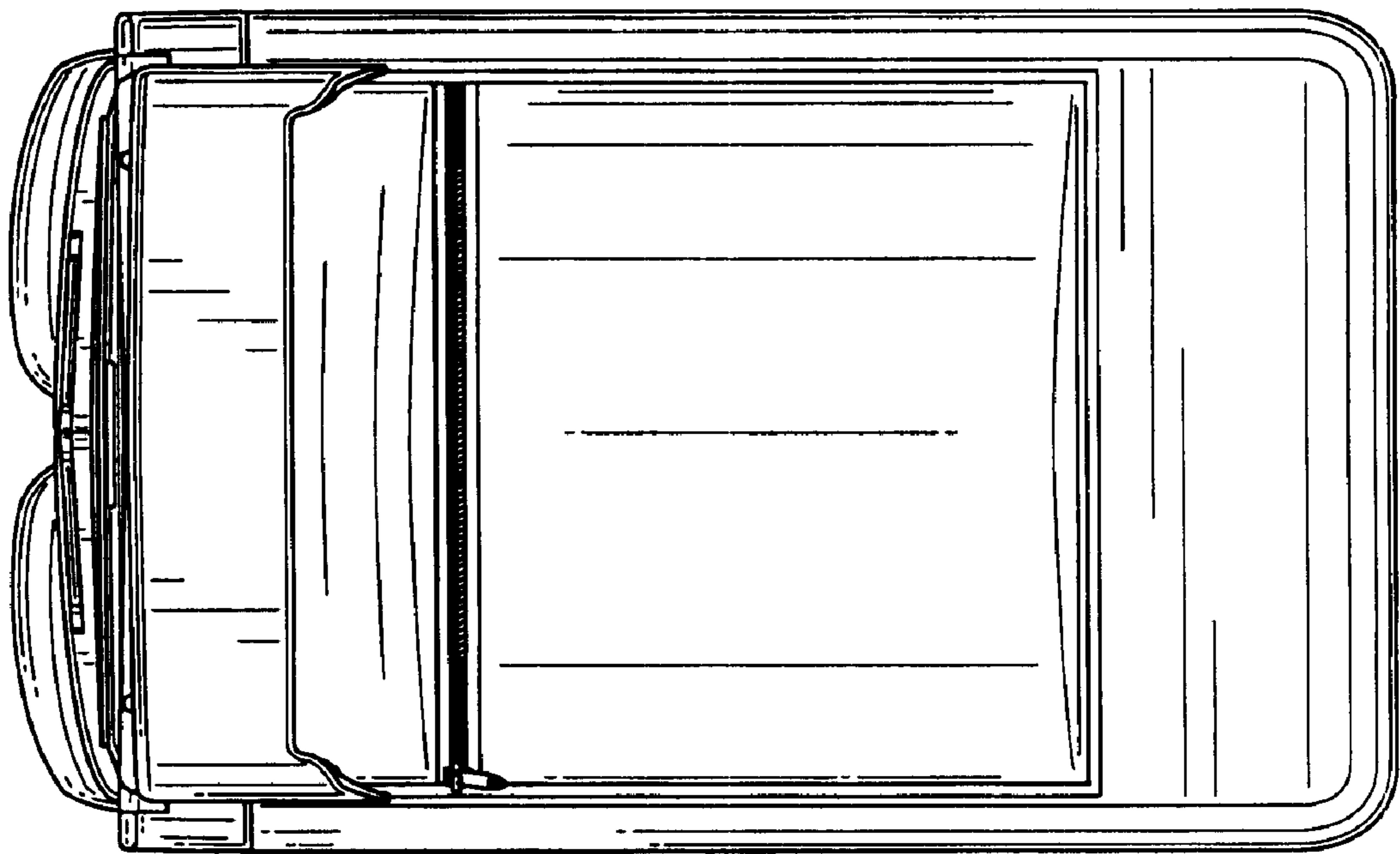


FIG. 3

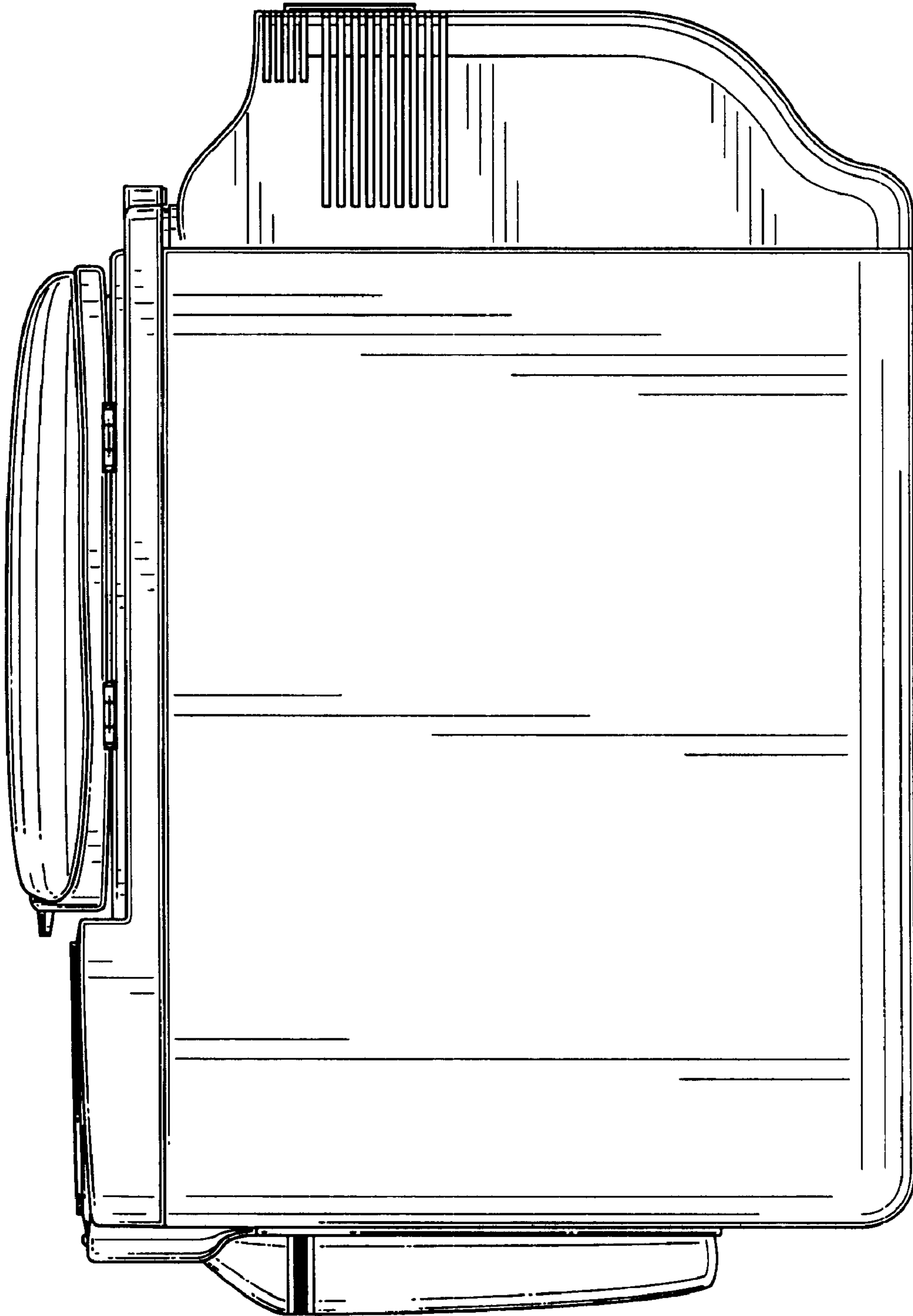


FIG. 4

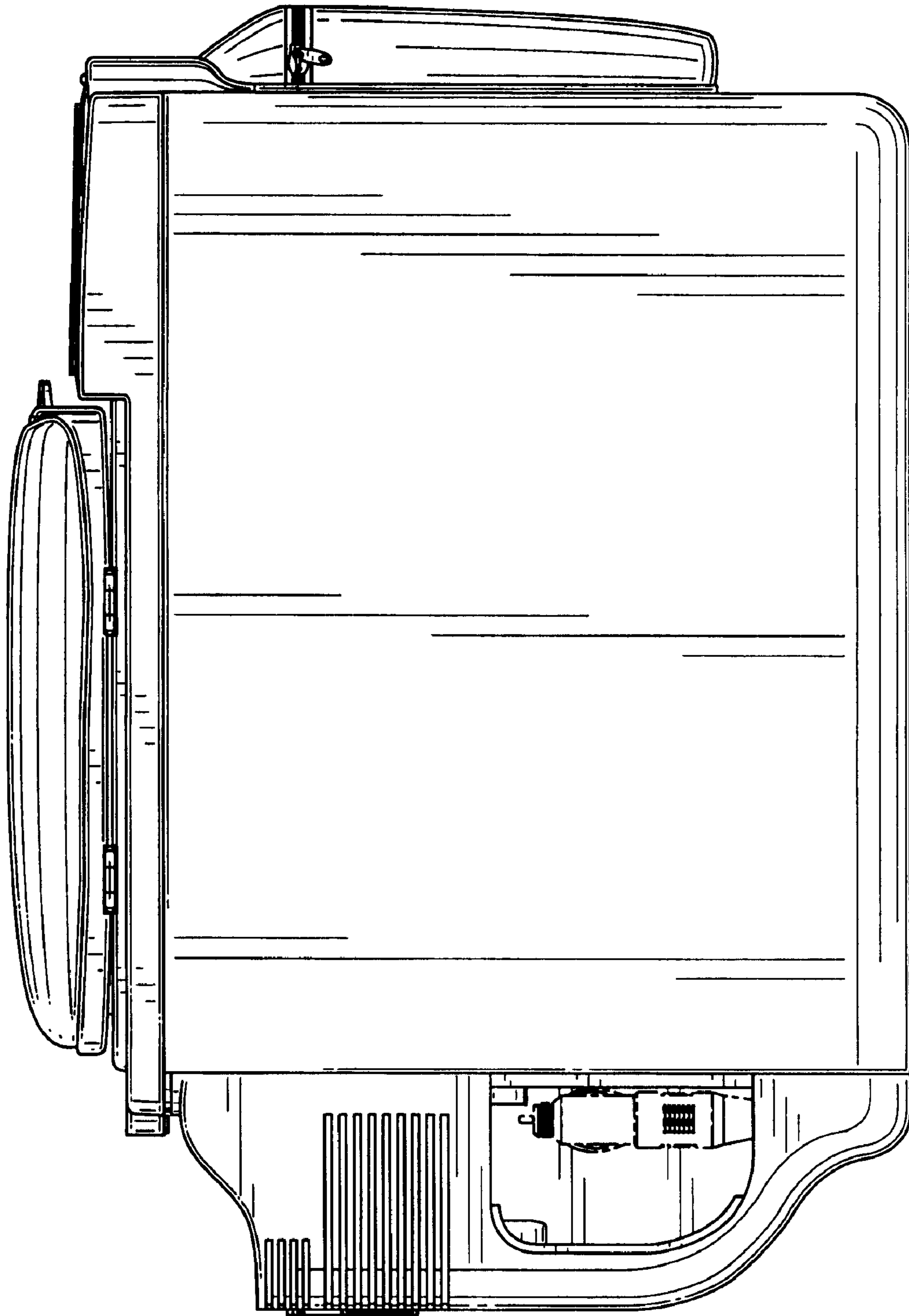


FIG. 5

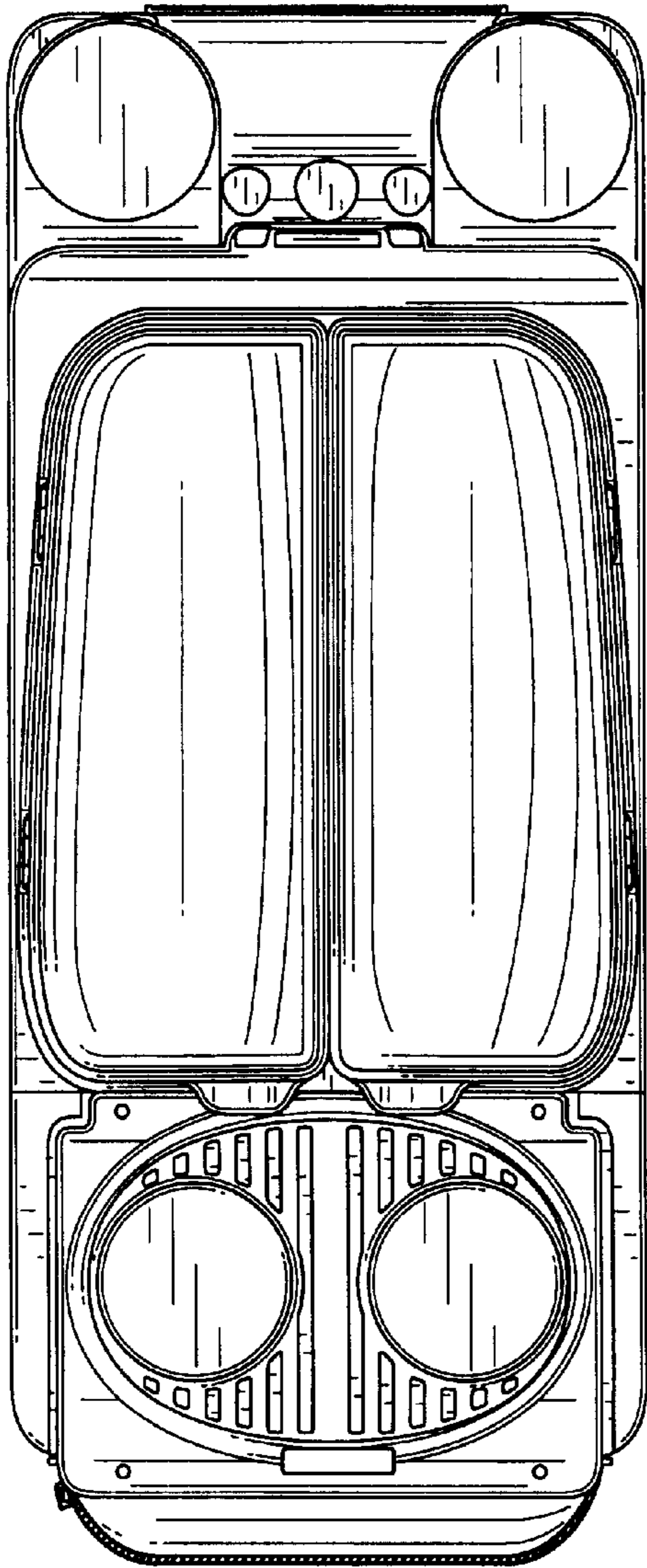


FIG. 6

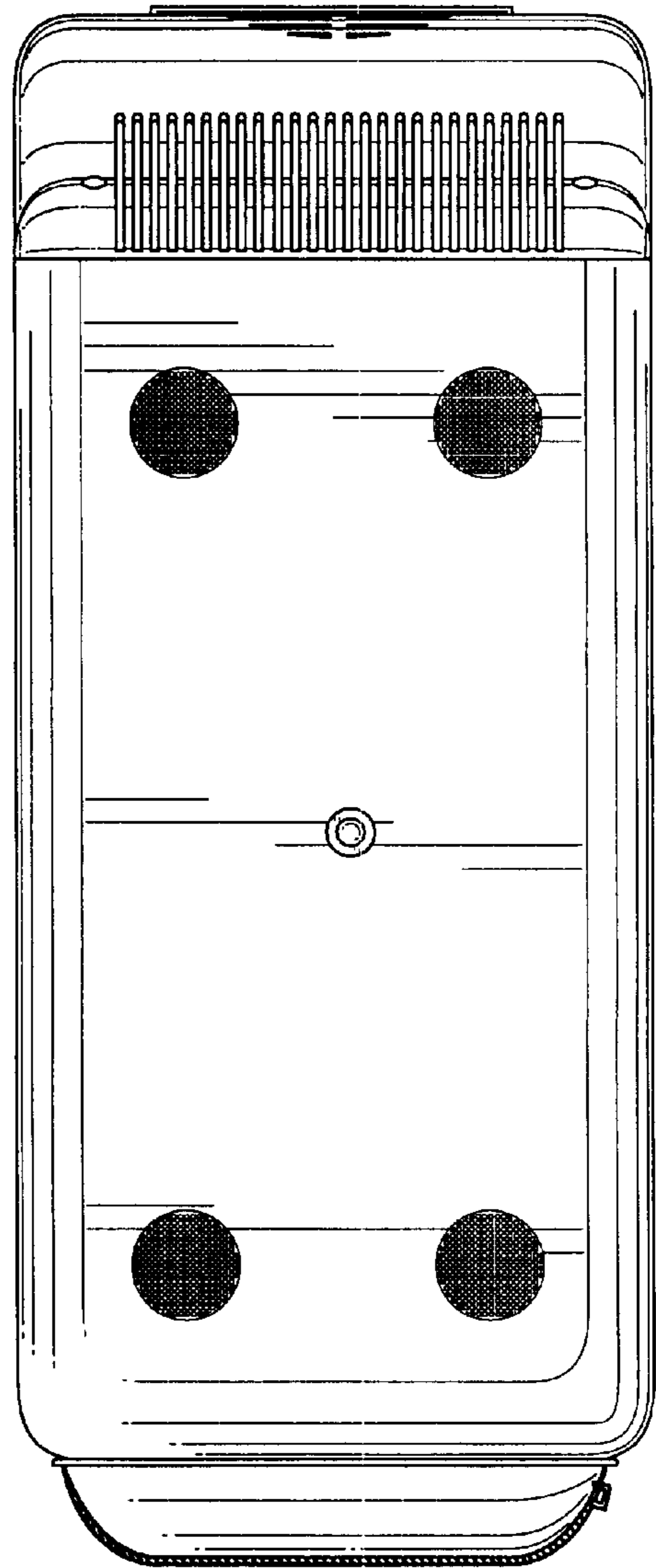


FIG. 7

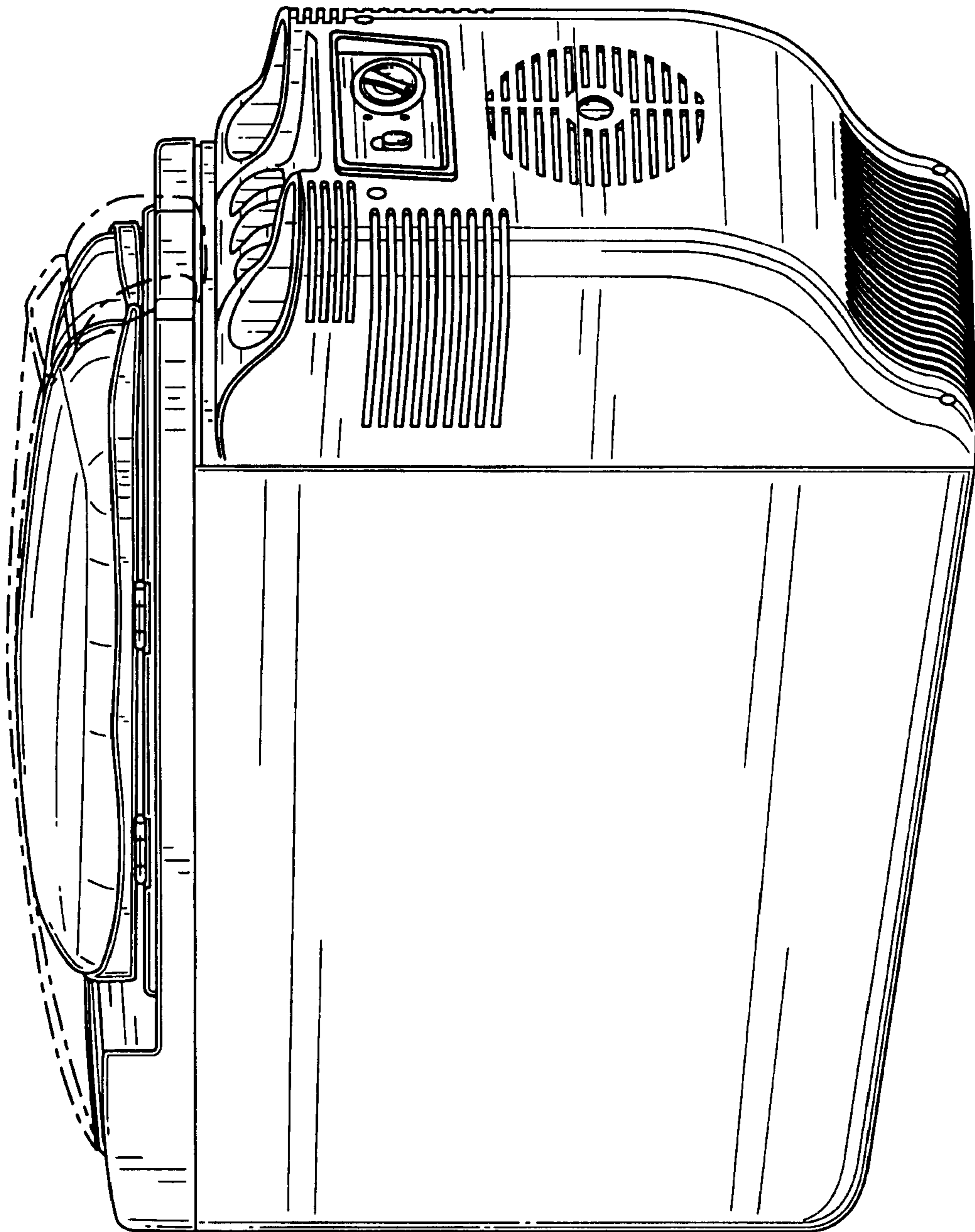


FIG. 8