



US00D467466S

(12) **United States Design Patent**
Apelboim et al.

(10) **Patent No.:** **US D467,466 S**

(45) **Date of Patent:** **** Dec. 24, 2002**

(54) **CEREAL DISPENSER**

(75) Inventors: **Danny Apelboim**, Fort Lauderdale, FL
(US); **Shalom Almog**, Tel Aviv (IL)

(73) Assignee: **Adas, Inc.**, Ft. Lauderdale, FL (US)

(**) Term: **14 Years**

(21) Appl. No.: **29/151,169**

(22) Filed: **Nov. 15, 2001**

Related U.S. Application Data

(62) Division of application No. 29/148,153, filed on Sep. 12, 2001.

(51) **LOC (7) Cl.** **07-99**

(52) **U.S. Cl.** **D7/589**

(58) **Field of Search** D7/589; D6/512,
D6/515, 542, 545; D20/1, 3, 7; 222/105,
181.1, 185.1, 282, 386, 531, 532

(56) **References Cited**

U.S. PATENT DOCUMENTS

2,920,796 A * 1/1960 Field 222/185.1

D188,631 S * 8/1960 Gorenflo D7/589
3,204,833 A * 9/1965 Weitzner 222/355
D286,362 S * 10/1986 Lair D7/589
D328,008 S * 7/1992 Avery D7/589
D374,154 S * 10/1996 Boyer D7/589
D384,863 S * 10/1997 Danemayer D7/589

* cited by examiner

Primary Examiner—Terry A. Wallace

(74) *Attorney, Agent, or Firm*—Christopher & Weisberg,
P.A.

(57) **CLAIM**

The ornamental design for a cereal dispenser, as shown and described.

DESCRIPTION

FIG. 1 is a perspective view of the cereal dispenser, showing the new design;

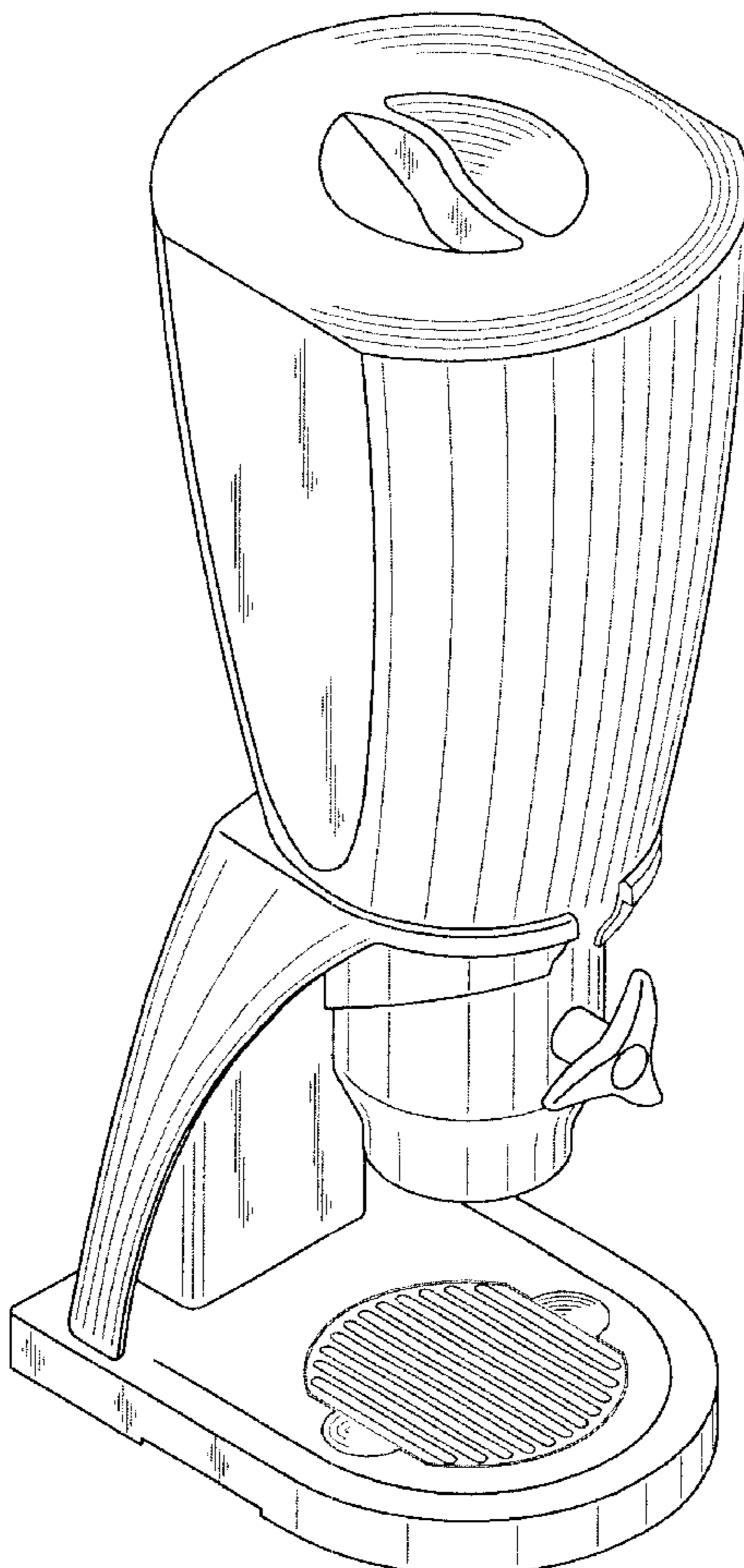
FIG. 2 is a side view thereof;

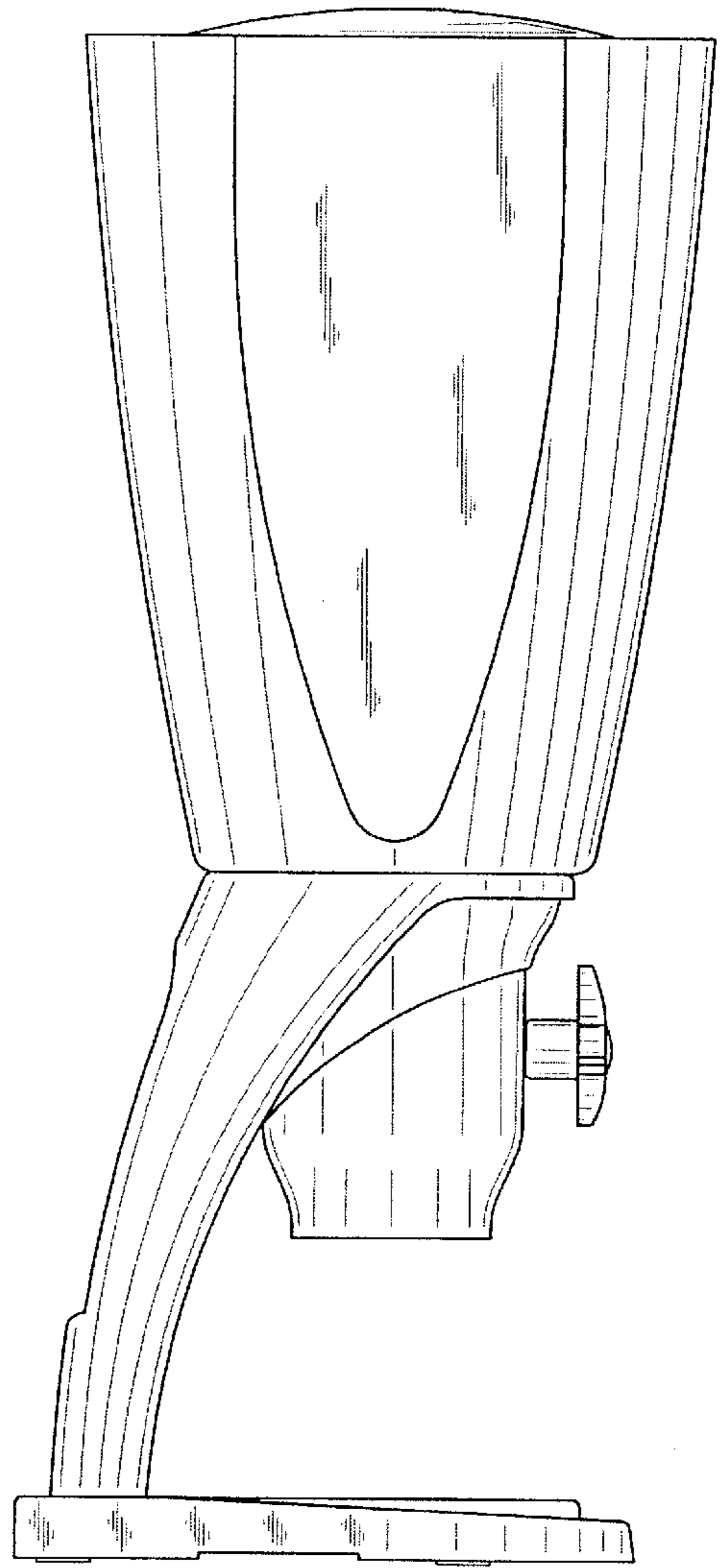
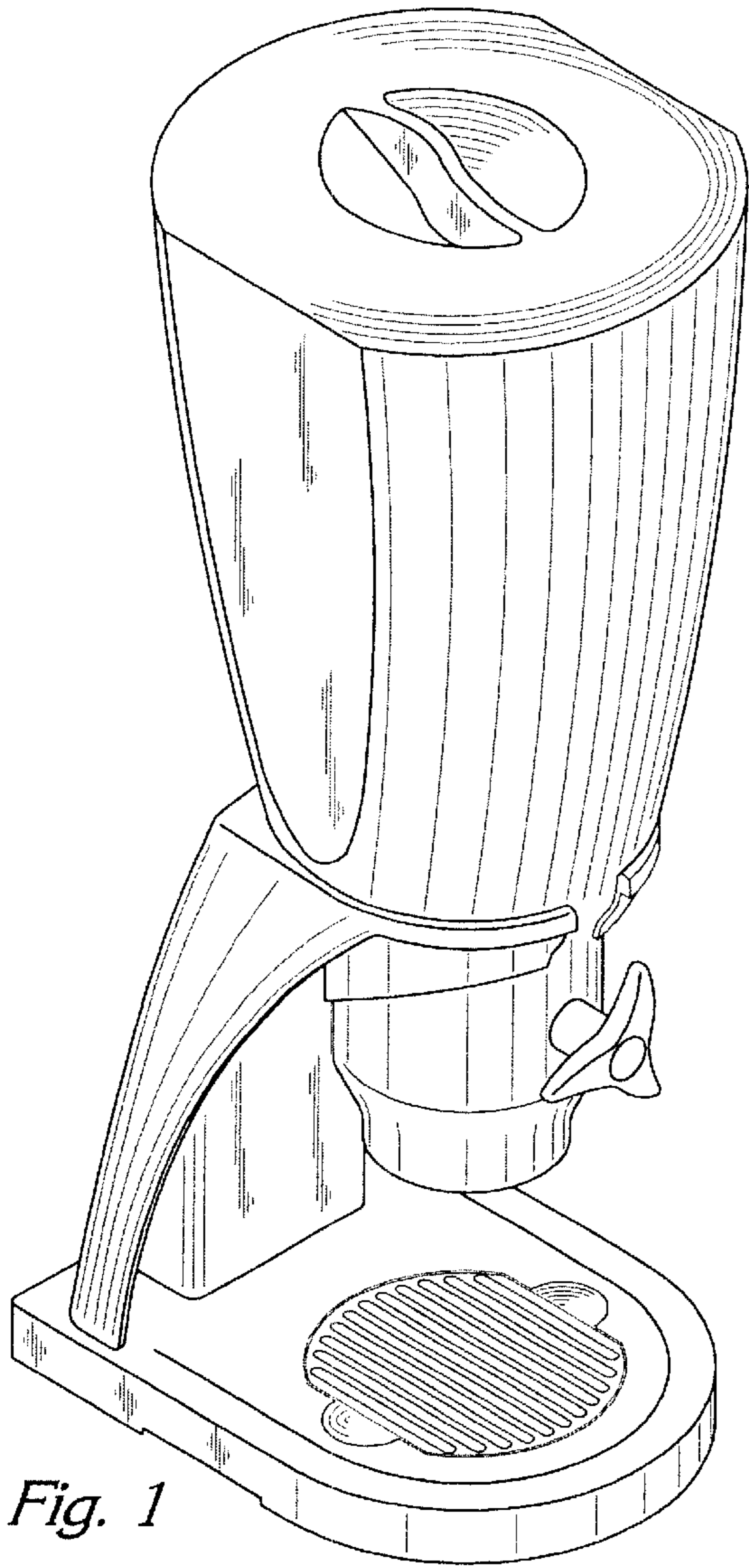
FIG. 3 is a front view thereof;

FIG. 4 is a back view thereof; and,

FIG. 5 is a top view thereof.

1 Claim, 2 Drawing Sheets





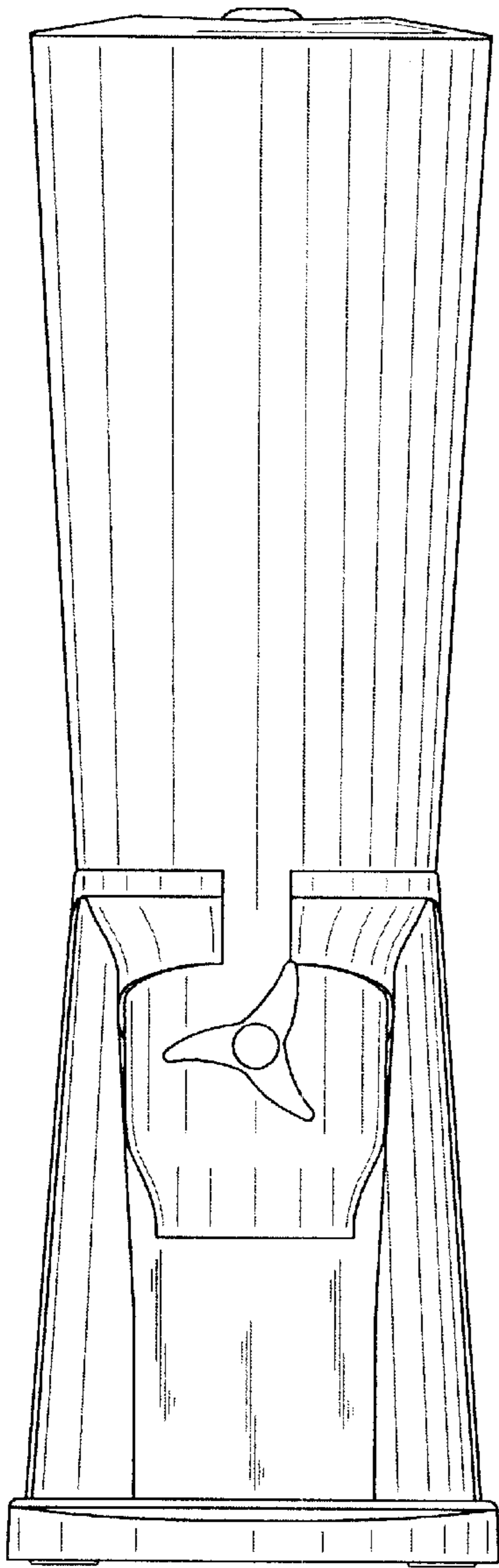


Fig. 3

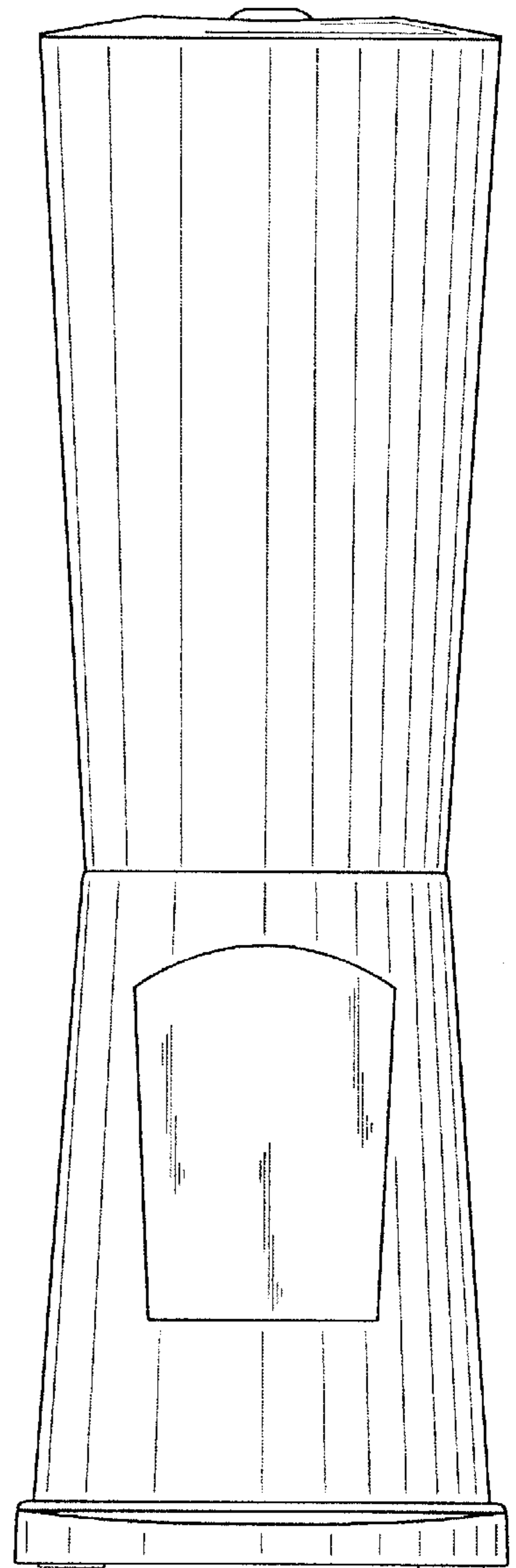


Fig. 4

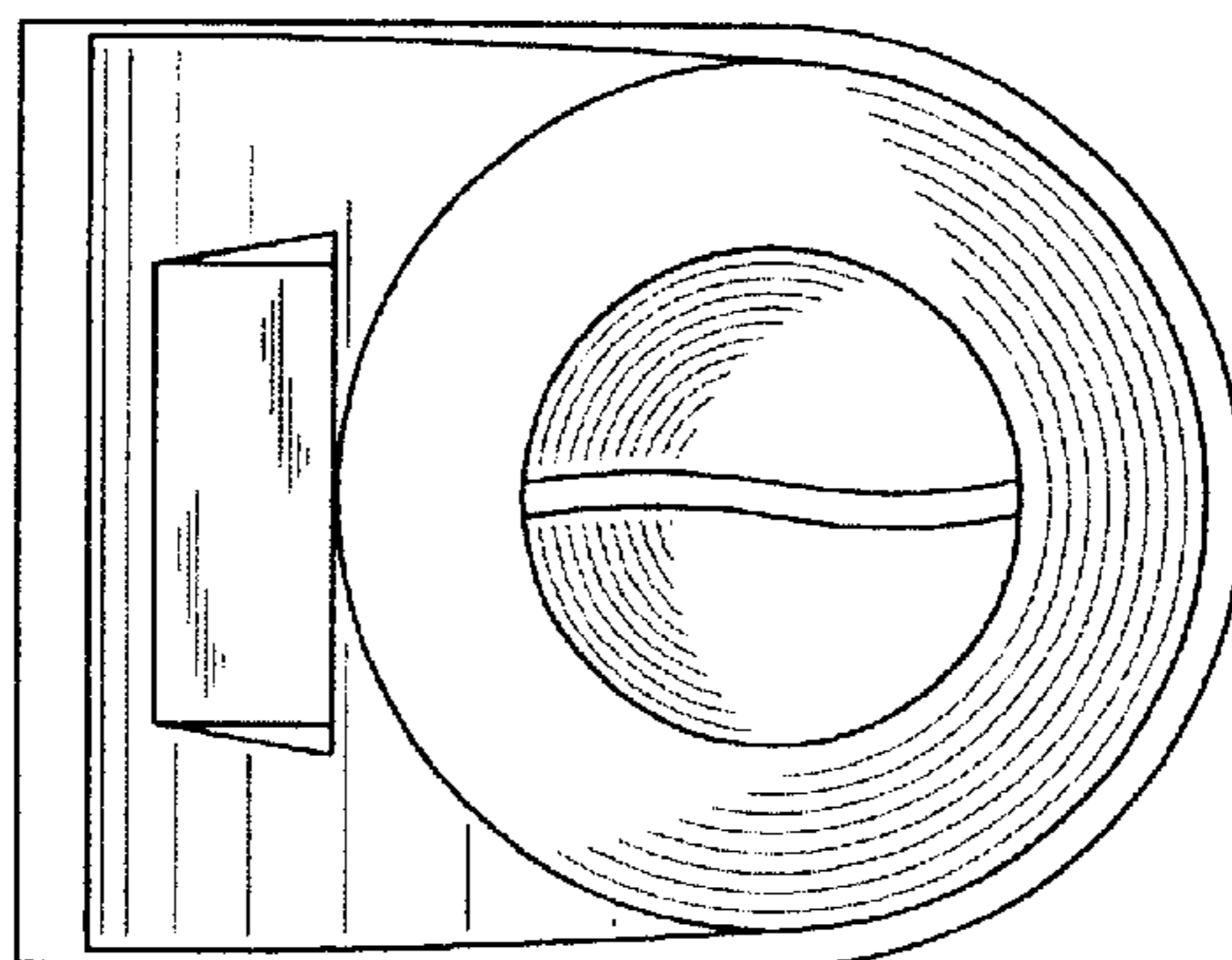


Fig. 5