



US00D467464S

(12) **United States Design Patent**
Sampaio

(10) **Patent No.:** **US D467,464 S**

(45) **Date of Patent:** **** Dec. 24, 2002**

(54) **LID SPLASH PREVENTER**

(76) **Inventor:** **Angela Sampaio**, 519 Shoal Creek Dr.,
Ocoee, FL (US) 34761

(**) **Term:** **14 Years**

(21) **Appl. No.:** **29/154,036**

(22) **Filed:** **Jan. 17, 2002**

(51) **LOC (7) Cl.** **31-00**

(52) **U.S. Cl.** **D7/412**

(58) **Field of Search** D7/510, 511, 391-392.1,
D7/396.2, 412, 213; 126/299 C; 366/347;
220/703, 711, 712, 713, 719, 731; D9/434,
435, 454

(56) **References Cited**

U.S. PATENT DOCUMENTS

909,052 A	1/1909	Barron	
2,504,727 A *	4/1950	Post	366/347
2,736,536 A	2/1956	Banowitz	
2,858,118 A *	10/1958	Perkins	366/347
3,913,896 A	10/1975	Hawke	
3,960,370 A *	6/1976	Bewley	366/347
D240,696 S	7/1976	Tretter	
4,549,811 A *	10/1985	Schiffner et al.	366/129
5,392,949 A *	2/1995	McKenna	220/712

5,660,469 A *	8/1997	Sequin	366/347
D395,195 S	6/1998	Heilberg et al.	
D403,203 S	12/1998	Ruck et al.	
D404,252 S *	1/1999	Myers et al.	D7/412
6,123,449 A *	9/2000	Sadek-Patt	366/347

* cited by examiner

Primary Examiner—Caron D. Veynar

(74) *Attorney, Agent, or Firm*—Patent & Trademark
Services; Joseph H. McGlynn

(57) **CLAIM**

The ornamental design for a lid splash preventer, as shown
and described.

DESCRIPTION

FIG. 1 is a top view of the lid splash preventer showing my
new design;

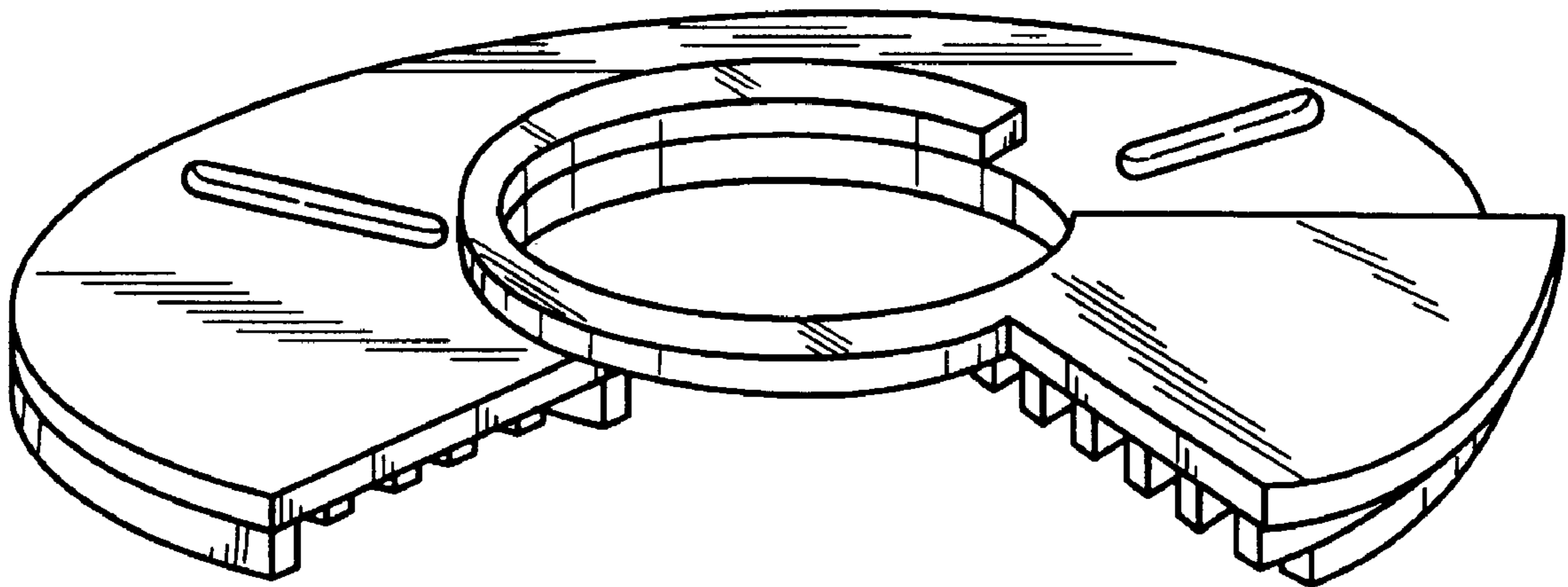
FIG. 2 is a top view of the lid with the pivoting slot cover
in the closed position.

FIG. 3 is a perspective view of the lid with the pivoting slot
cover in the open position.

FIG. 4 is a bottom view of the lid with the pivoting slot cover
in the closed position; and,

FIG. 5 is a perspective view of the pivoting slot cover shown
separately for ease of illustration.

1 Claim, 3 Drawing Sheets



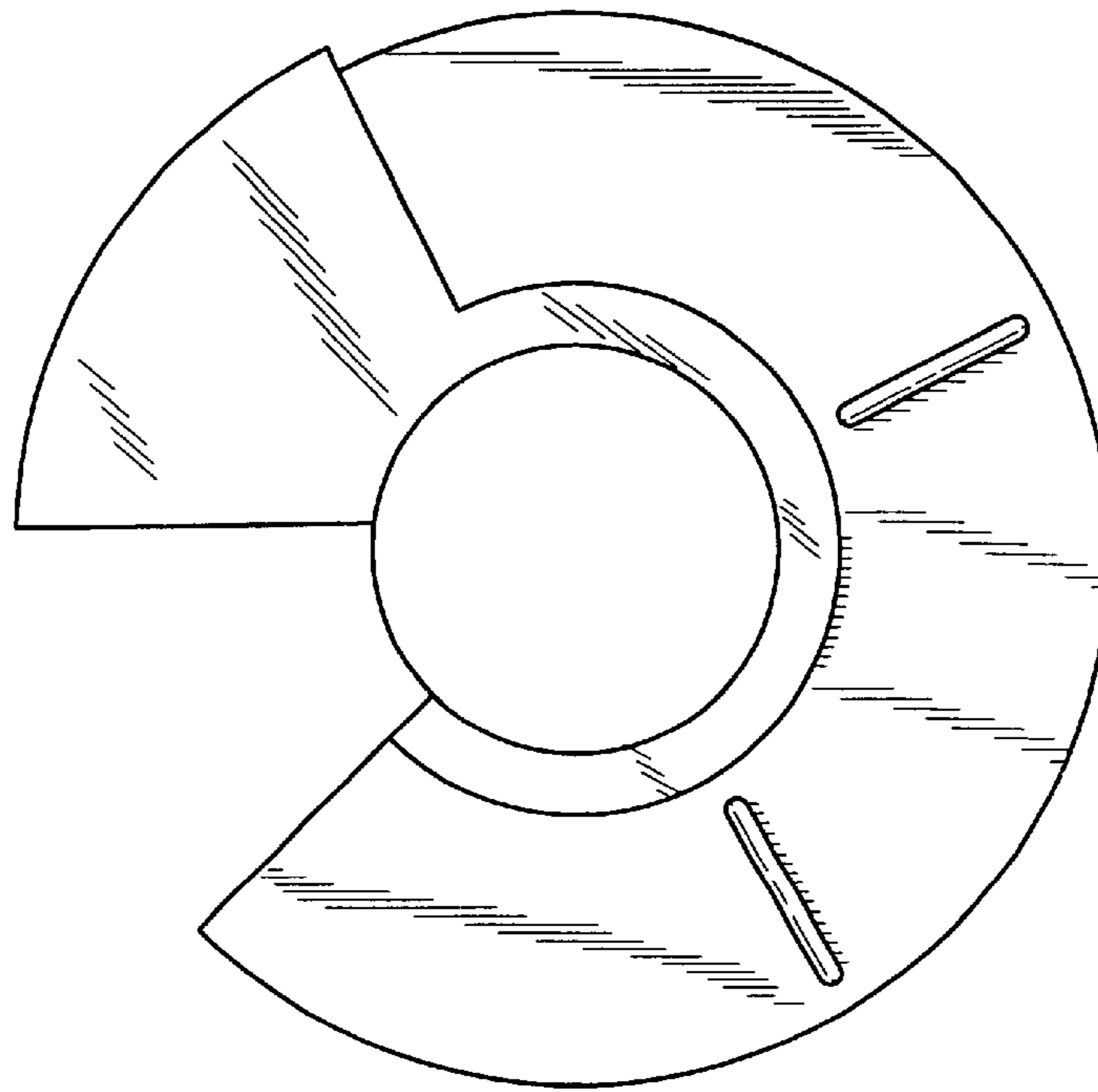


FIG.1

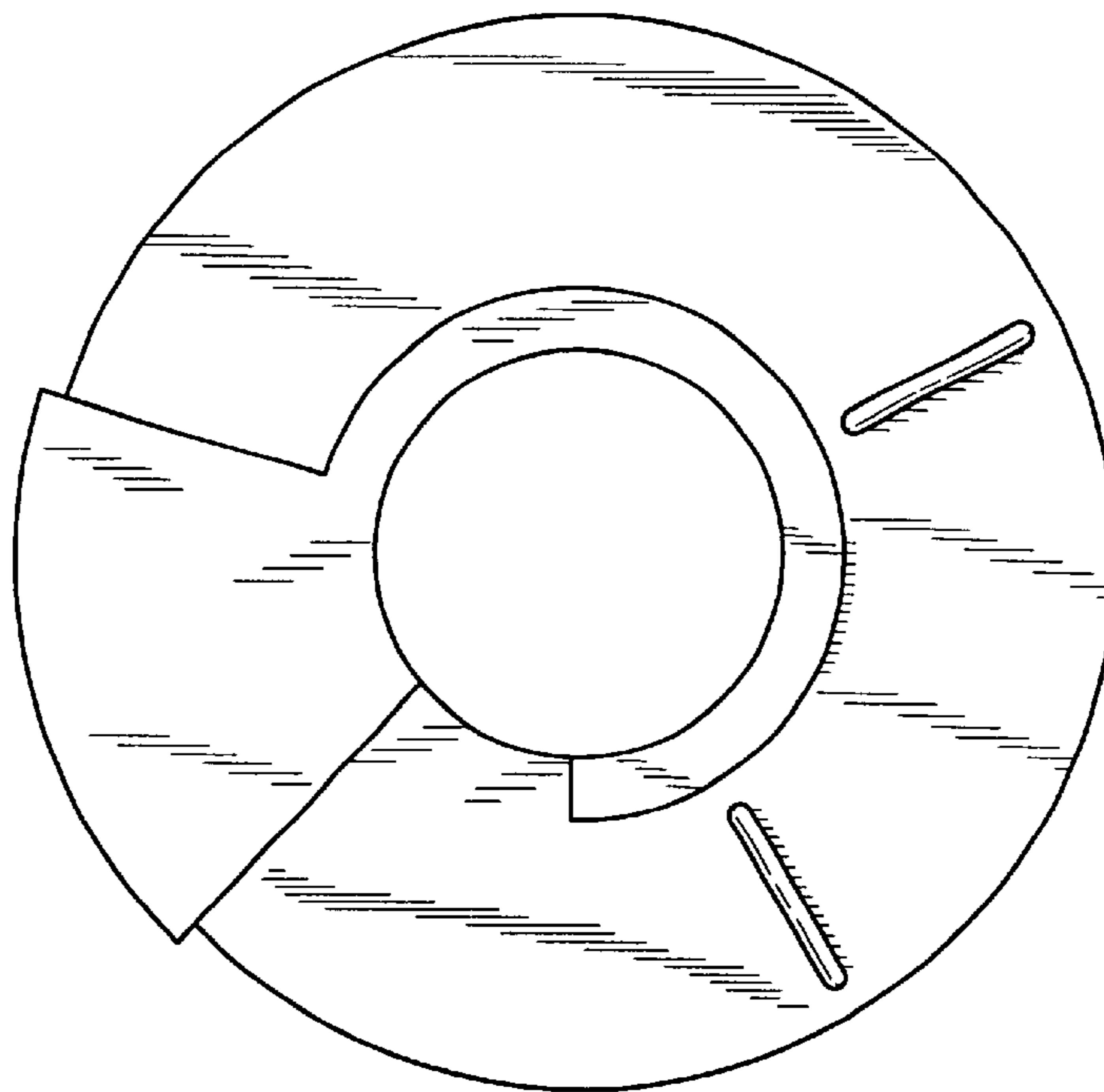


FIG.2

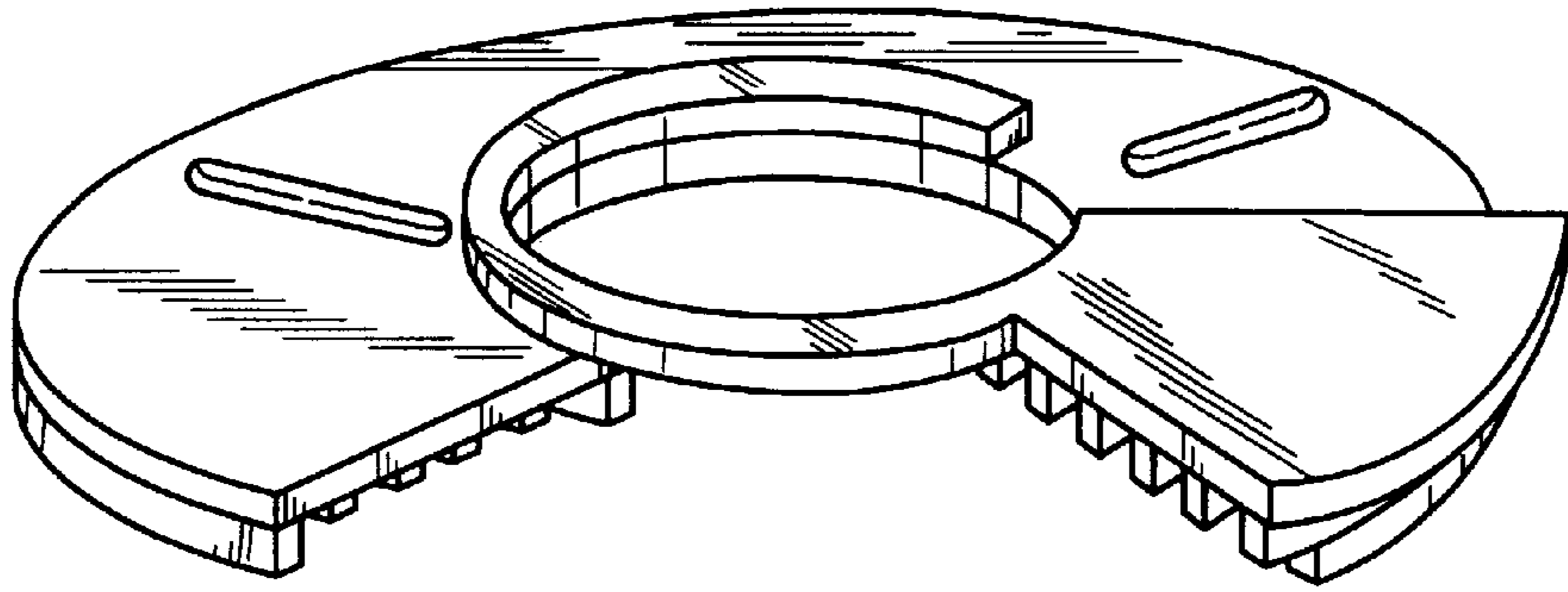


FIG. 3

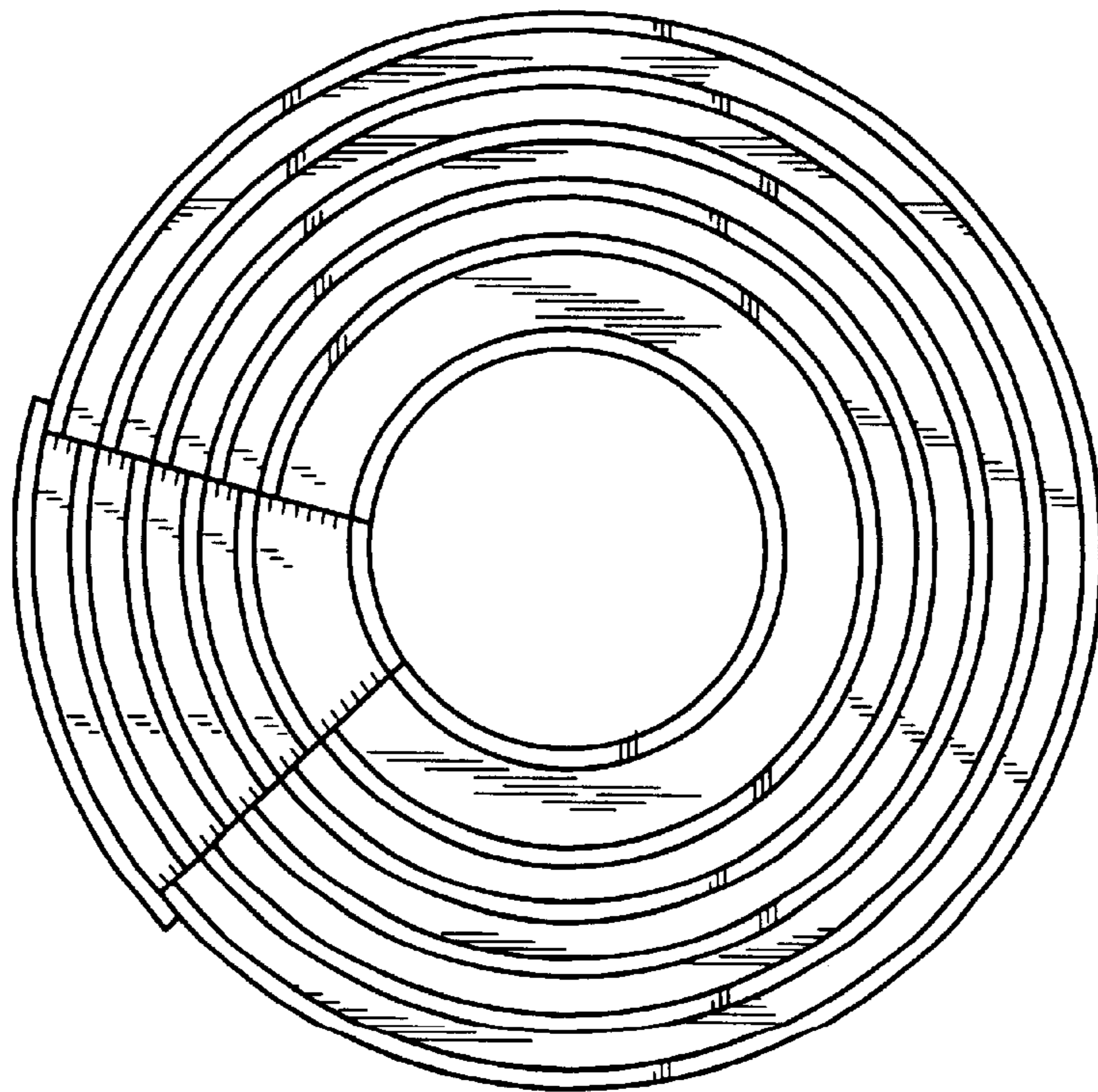


FIG. 4

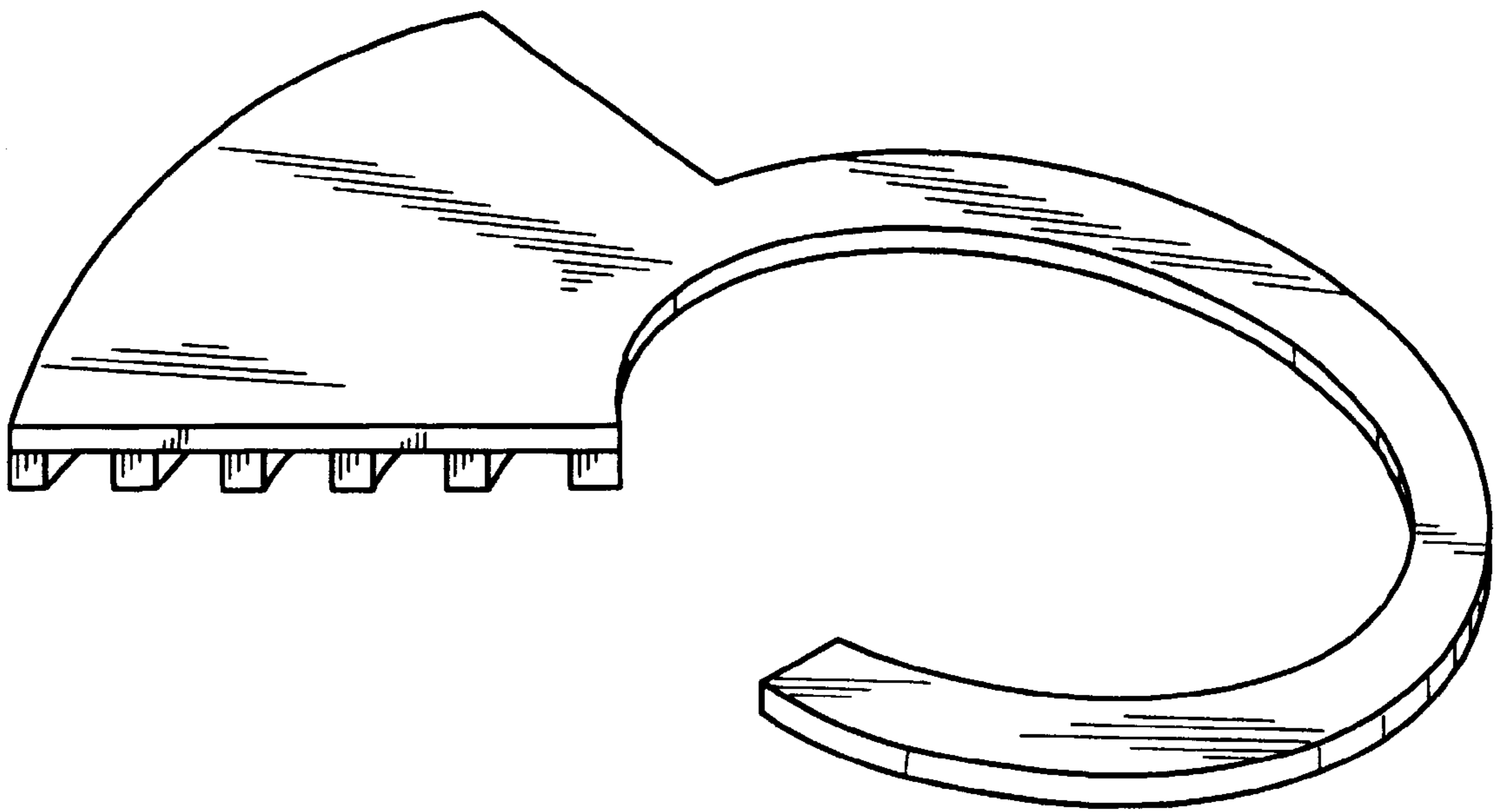


FIG.5