



US00D467461S

(12) **United States Design Patent**
Jones et al.

(10) **Patent No.:** **US D467,461 S**

(45) **Date of Patent:** **** Dec. 24, 2002**

(54) **COOKTOP**

(75) Inventors: **Charles L. Jones**, Stevensville, MI (US); **Philip M. Thompson**, St. Joseph, MI (US); **Tania L. Aldous**, St. Joseph, MI (US); **Mark W. Baldwin**, St. Joseph, MI (US); **Viorel Luminosu**, St. Joseph, MI (US)

(73) Assignee: **Whirlpool Corporation**, Benton Harbor, MI (US)

(**) Term: **14 Years**

(21) Appl. No.: **29/156,885**

(22) Filed: **Mar. 8, 2002**

(51) **LOC (7) Cl.** **07-02**

(52) **U.S. Cl.** **D7/346; D7/408**

(58) **Field of Search** D7/408, 407, 406, D7/402, 346, 347, 349; 312/236; 126/39 R, 39 B, 39 BA, 39 G, 40, 211, 214, 214 A, 214 C; 219/443.1, 450.1, 452.11, 452.12, 472, 478

(56) **References Cited**

U.S. PATENT DOCUMENTS

D369,061 S	*	4/1996	Holbrook, Jr.	D7/408
D378,262 S	*	3/1997	Sparks	D7/408
D458,803 S	*	6/2002	Becker et al.	D7/408
D461,090 S	*	8/2002	Rummel et al.	D7/346

* cited by examiner

Primary Examiner—Catherine R. Oliver

(74) *Attorney, Agent, or Firm*—Robert O. Rice; Stephen D. Krefman; Thomas J. Roth

(57) **CLAIM**

The ornamental design for a cooktop, as shown and described.

DESCRIPTION

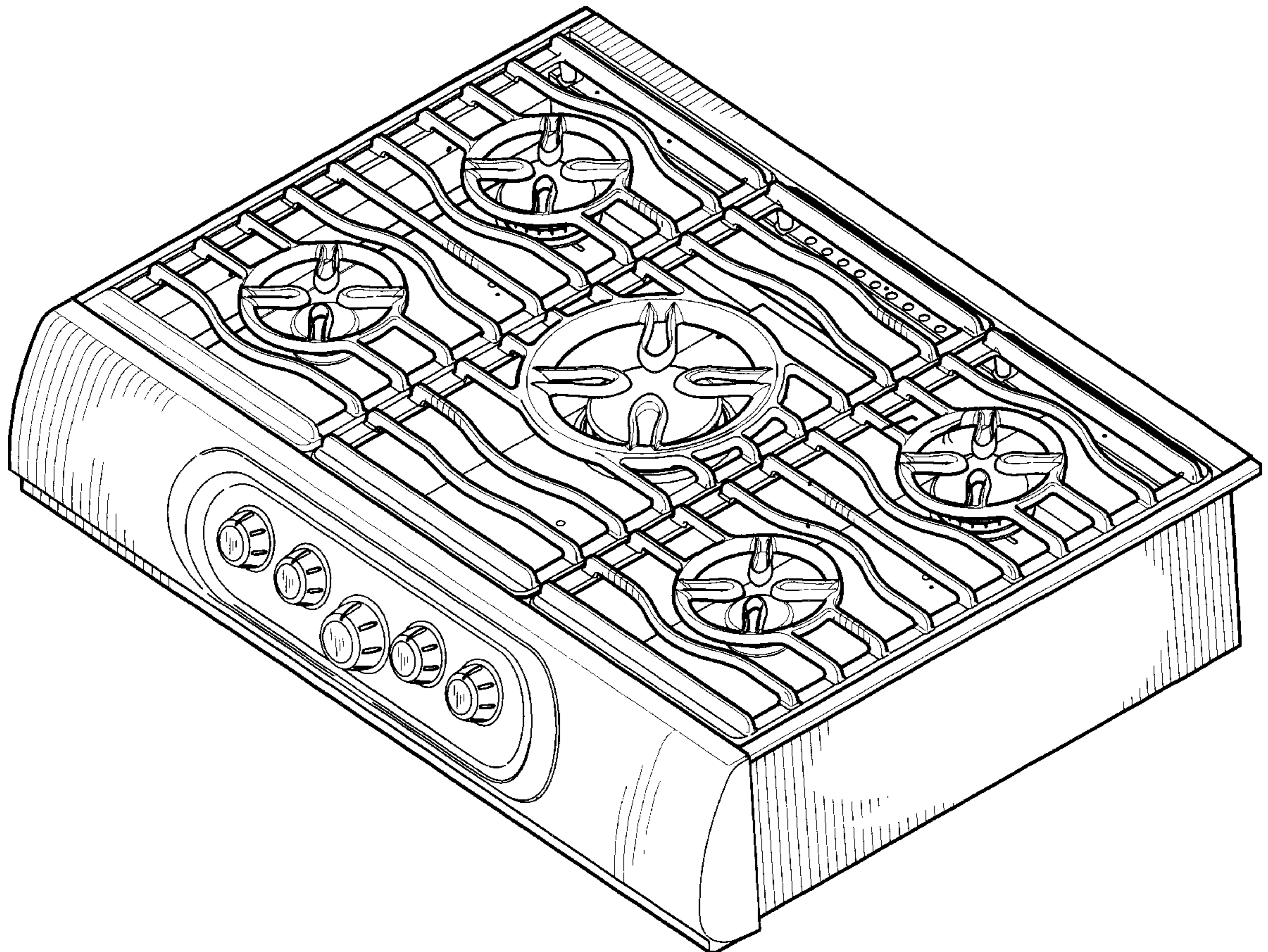
FIG. 1 is a front perspective view of the cooktop of the present invention;

FIG. 2 is a top plan view thereof,

FIG. 3 is a right side elevational view thereof; and,

FIG. 4 is a front elevational view thereof.

1 Claim, 3 Drawing Sheets



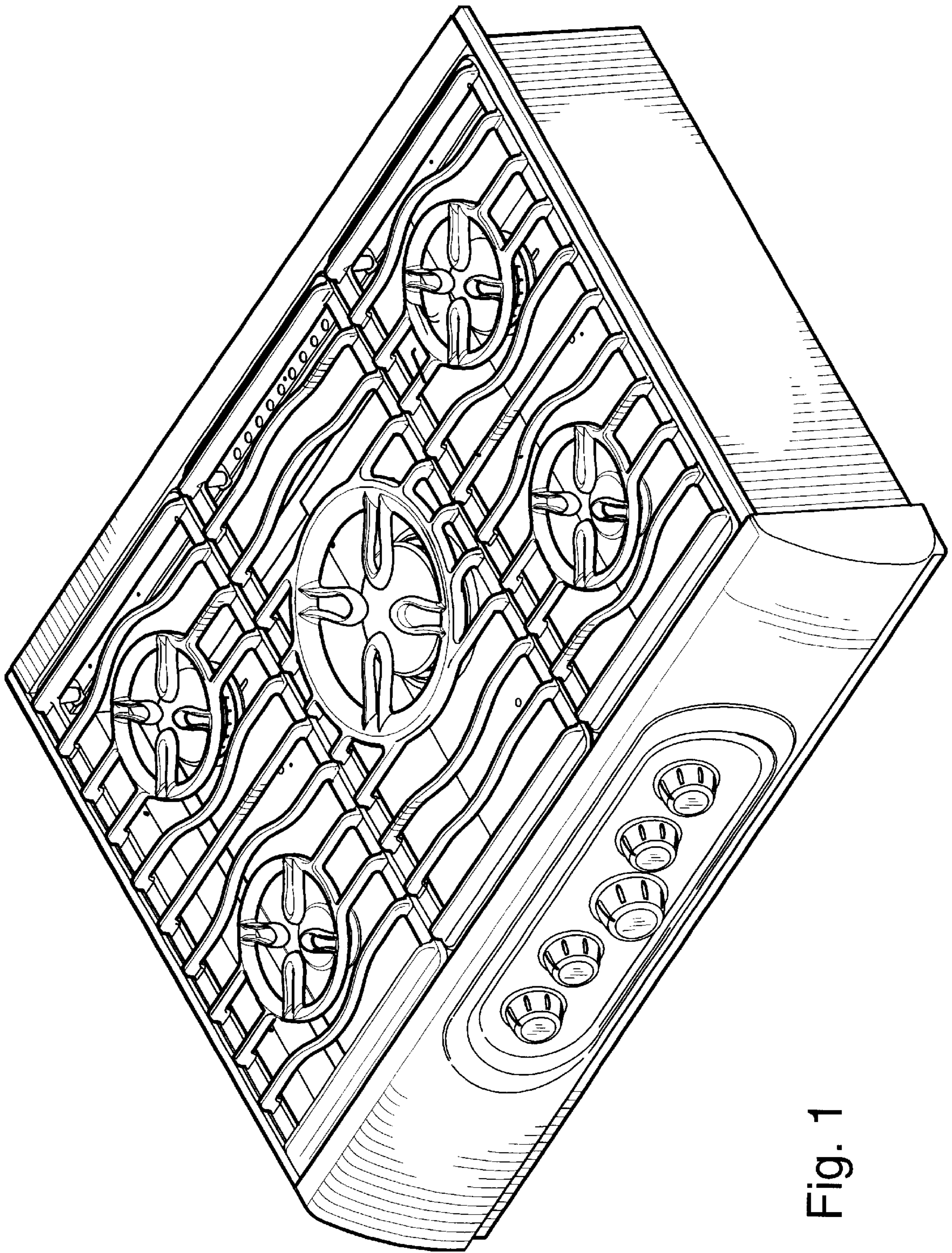


Fig. 1

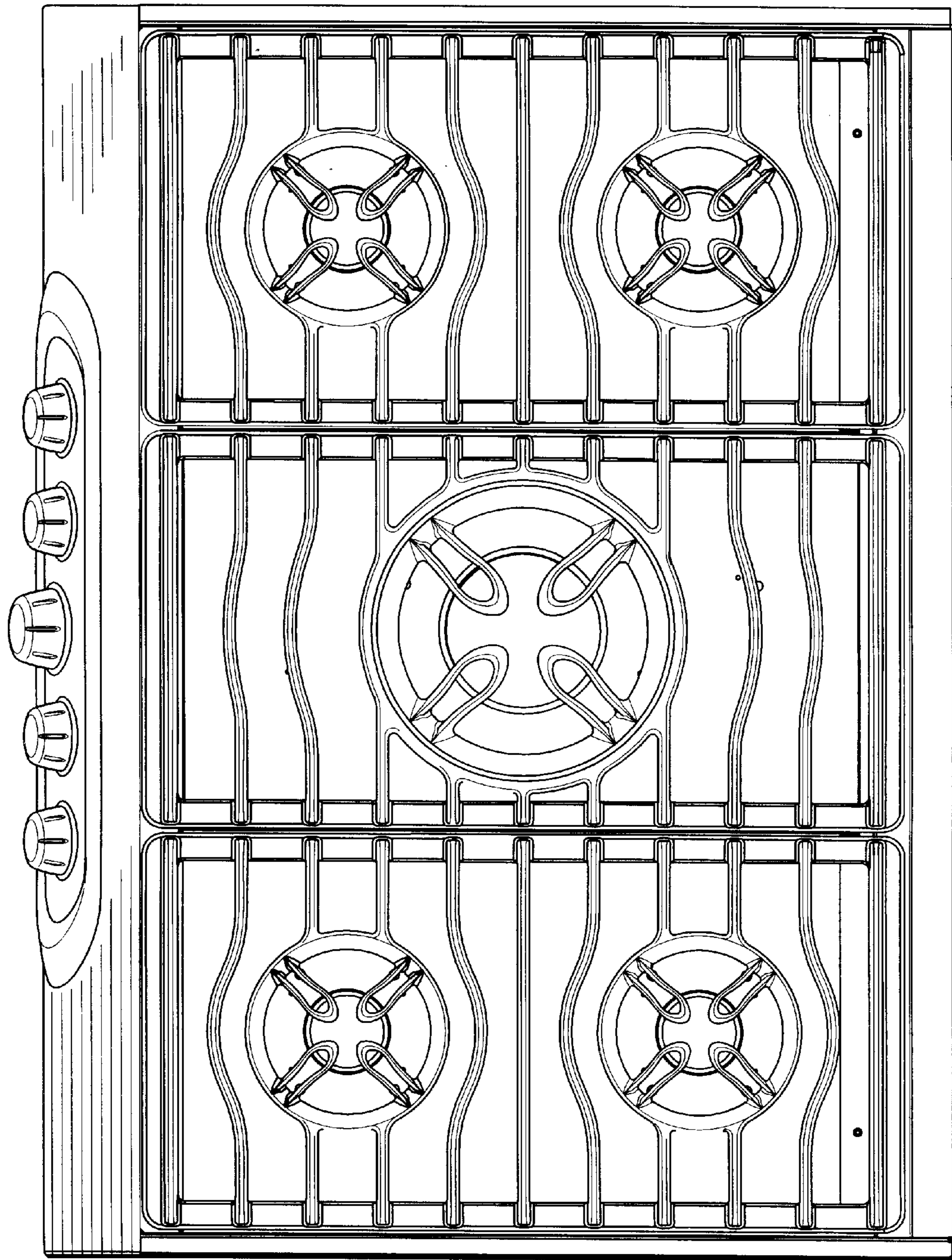


Fig. 2

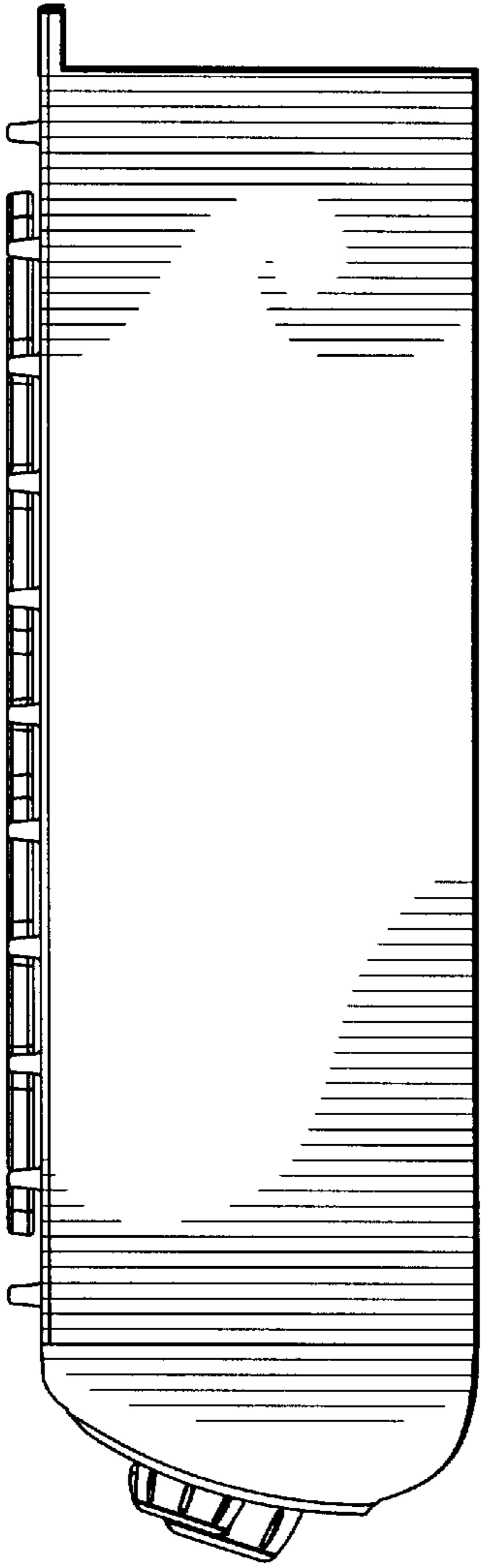


Fig. 3

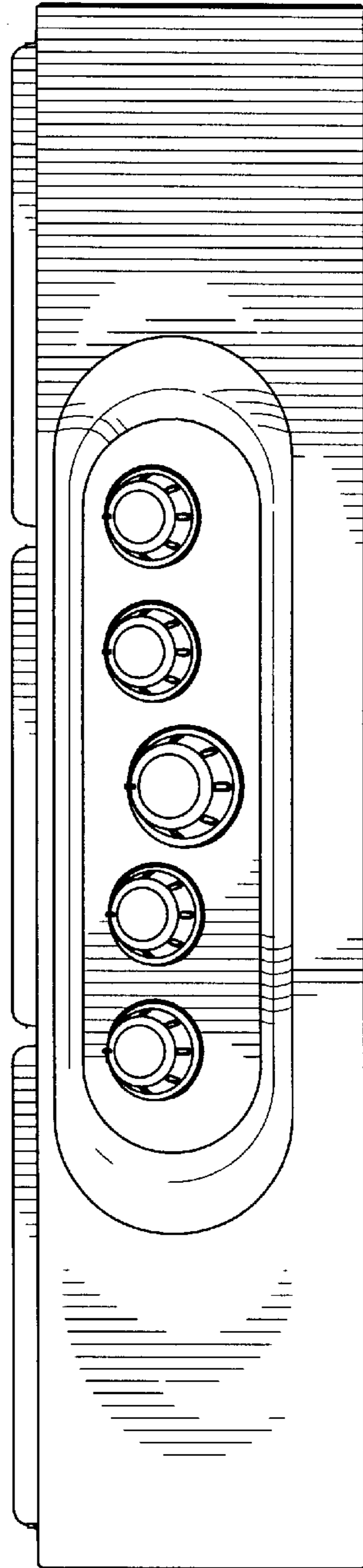


Fig. 4