



US00D467459S

(12) **United States Design Patent**
Kondo

(10) **Patent No.:** **US D467,459 S**

(45) **Date of Patent:** **** Dec. 24, 2002**

(54) **CASE FOR RECORDING MEDIA**

(75) **Inventor:** **Shinichi Kondo, Tokyo (JP)**

(73) **Assignee:** **Sony Corporation, Tokyo (JP)**

(**) **Term:** **14 Years**

(21) **Appl. No.:** **29/149,888**

(22) **Filed:** **Oct. 22, 2001**

(51) **LOC (7) Cl.** **06-04**

(52) **U.S. Cl.** **D6/635; D6/407; D6/634**

(58) **Field of Search** **D3/201, 218, 272, D3/273, 276, 905; D6/407, 626-635; D9/337, 445, 454; D19/26, 27, 32, 65, 75-77, 81; D28/77; 206/232, 307.1, 308.1, 308.2, 308.3, 309-310, 311, 312, 313, 387.11, 387.13, 387.15; 312/9.57, 902, 9.9, 9.48, 9.55, 9.64, 9.47, 9.53, 328; 379/355**

(56) **References Cited**

U.S. PATENT DOCUMENTS

3,452,878	A	*	7/1969	Smith	
3,909,088	A	*	9/1975	Dennehey et al.	312/9.42
D238,401	S	*	1/1976	Ackeret	
3,969,007	A	*	7/1976	Lowry	
4,162,112	A	*	7/1979	Konkler	312/9.25
4,182,538	A	*	1/1980	Armistead	2/240
4,235,490	A	*	11/1980	Schwartz et al.	312/9.57
4,253,568	A	*	3/1981	Long et al.	206/387.1
4,303,159	A	*	12/1981	Stone et al.	206/387.14
4,396,123	A	*	8/1983	Swan	211/40

D282,410	S	*	2/1986	Ekuan	D6/635
D288,982	S	*	3/1987	Talopp	D6/407
D335,213	S	*	5/1993	Horikiri	D6/635
D351,379	S	*	10/1994	Suzuki	D14/121
D360,085	S	*	7/1995	Staack et al.	D6/407
D380,467	S	*	7/1997	Harada et al.	D14/121
D386,915	S	*	12/1997	Shirakami et al.	D6/407
D395,570	S		6/1998	Kawagoi et al.	
5,762,187	A	*	6/1998	Belden, Jr. et al.	206/308.2
D398,602	S	*	9/1998	Aoki	D14/121
5,901,840	A	*	5/1999	Nakasuji	206/1.5
D418,692	S	*	1/2000	Funawatari	D6/635
6,240,750	B1	*	6/2001	Gillespie et al.	70/57.1

* cited by examiner

Primary Examiner—Celia Murphy

(74) *Attorney, Agent, or Firm*—Rader, Fishman & Grauer PLLC

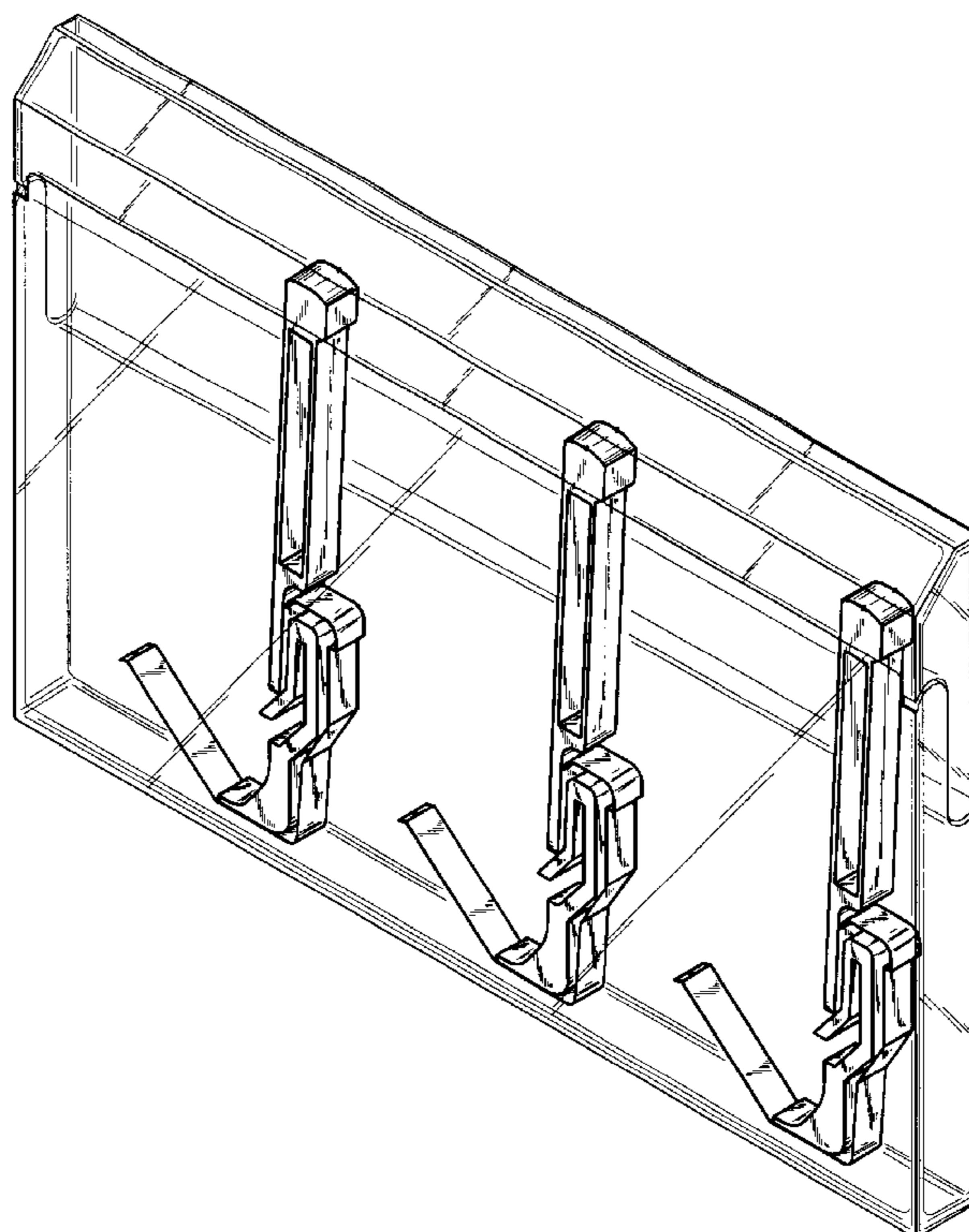
(57) **CLAIM**

The ornamental design for a case for recording media, as shown and described.

DESCRIPTION

FIG. 1 is a perspective view of a case for recording media showing my new design;
FIG. 2 is a front elevational view thereof;
FIG. 3 is a rear elevational view thereof;
FIG. 4 is a left side elevational view thereof;
FIG. 5 is a right side elevational view thereof;
FIG. 6 is a top plan view thereof; and,
FIG. 7 is a bottom plan view thereof.

1 Claim, 4 Drawing Sheets



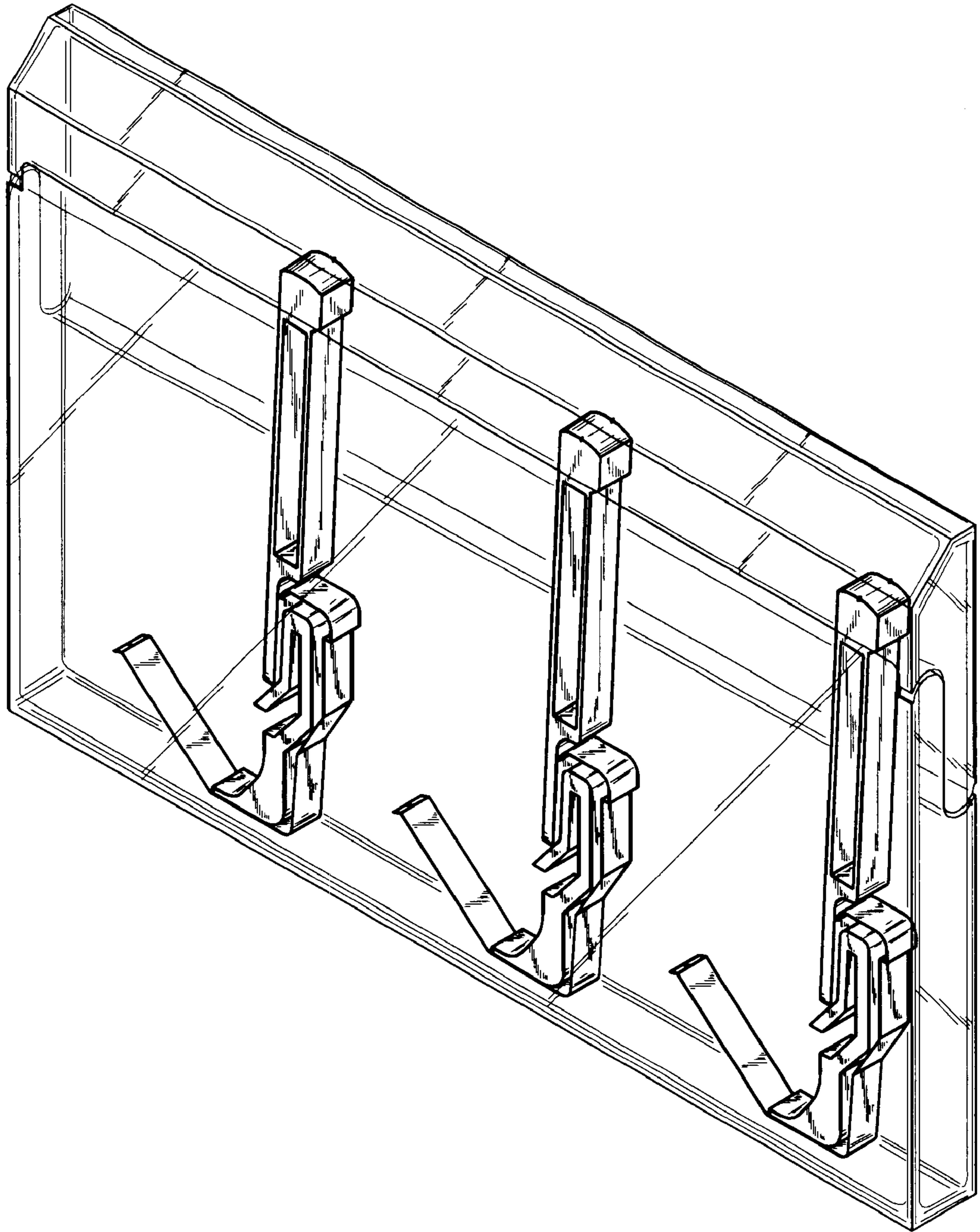


Fig. 1

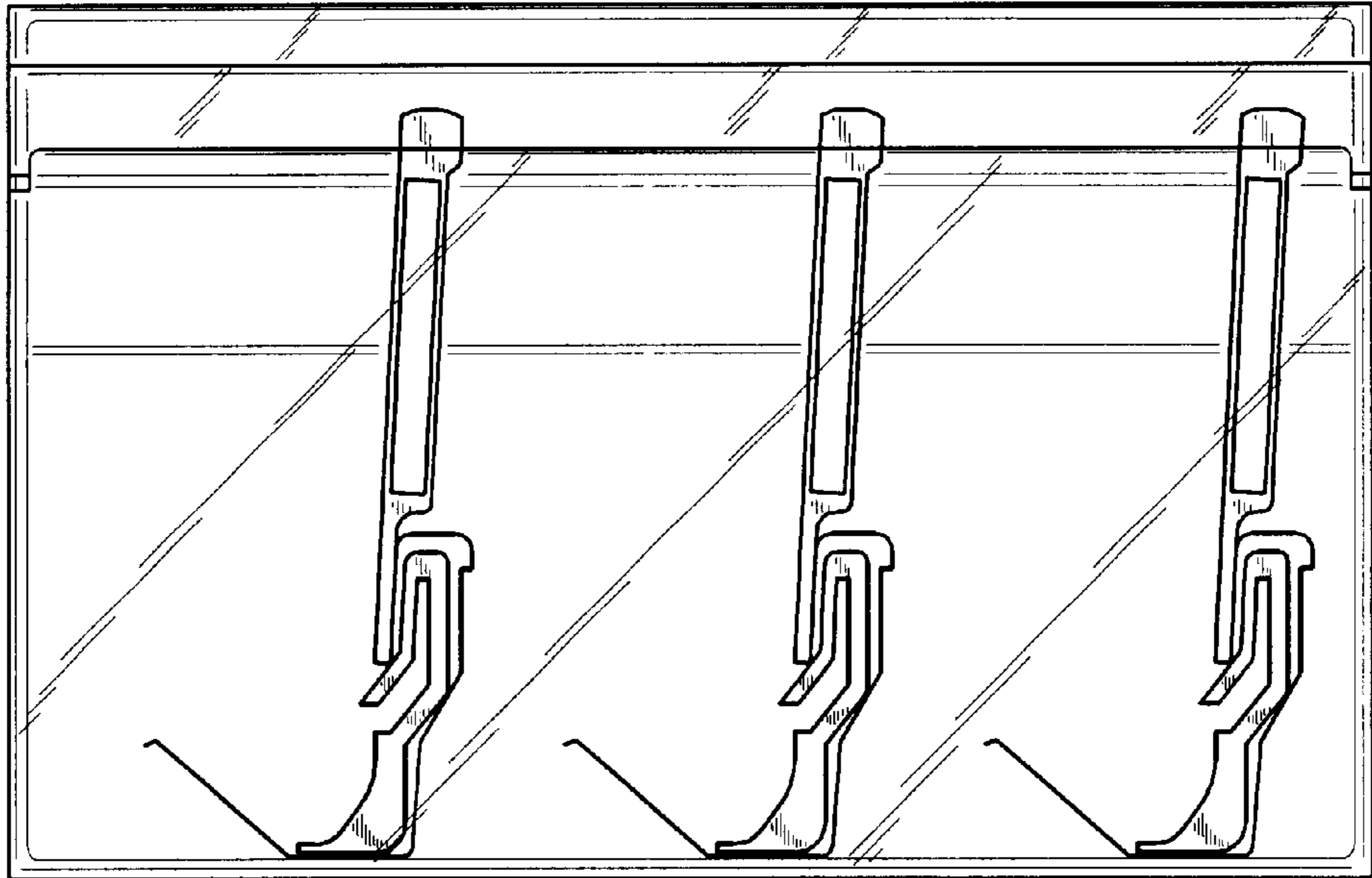


Fig. 2

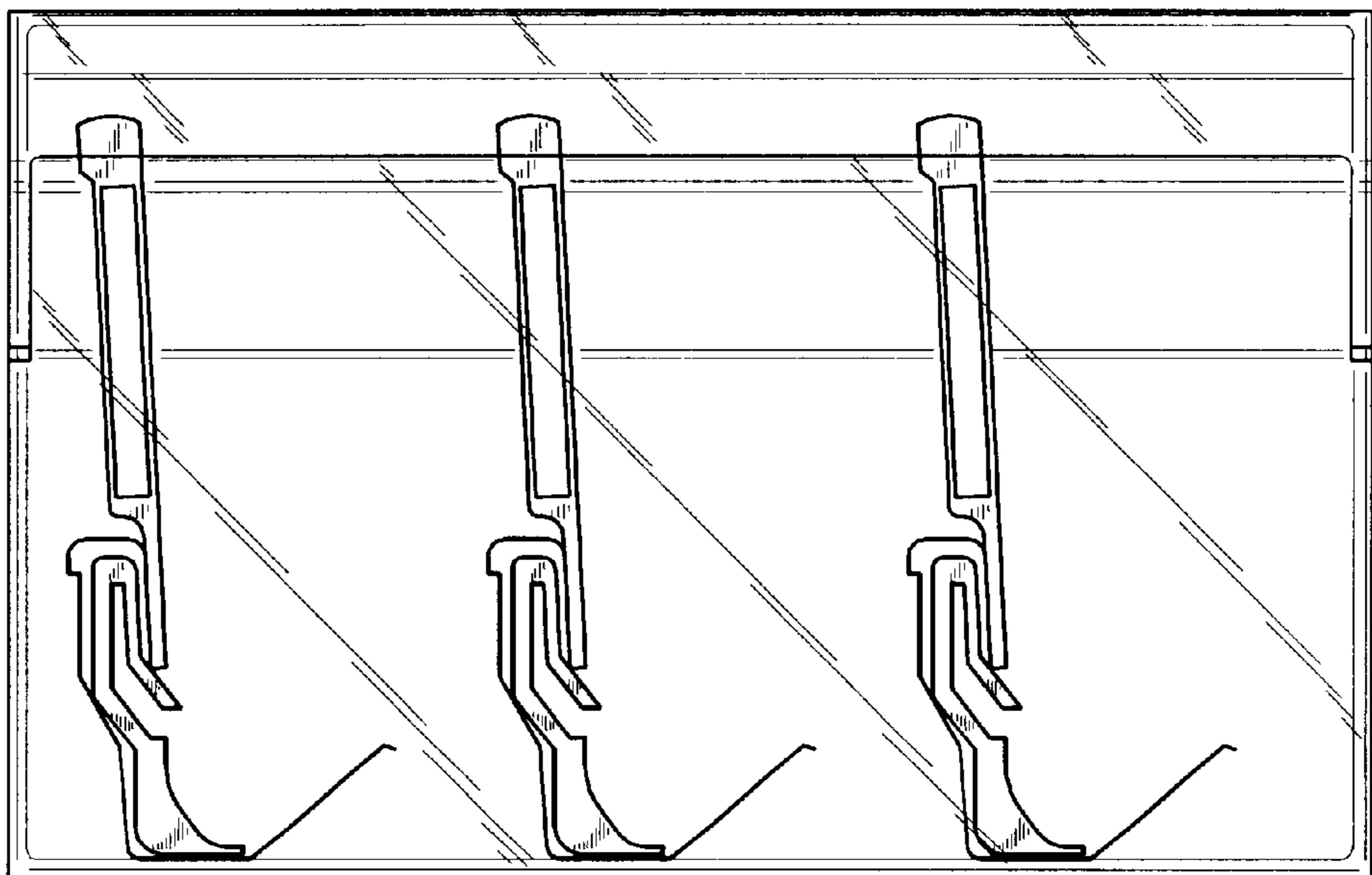


Fig. 3



Fig. 4



Fig. 5



Fig. 6



Fig. 7