



US00D467453S

(12) **United States Design Patent**  
**Kwon**

(10) **Patent No.:** **US D467,453 S**

(45) **Date of Patent:** **\*\* Dec. 24, 2002**

(54) **DESK LEGS**

(75) Inventor: **Dong-Yul Kwon**, Seoul (KR)

(73) Assignee: **Fursys, Inc.**, Seoul (KR)

(\*\*) Term: **14 Years**

(21) Appl. No.: **29/151,756**

(22) Filed: **Nov. 6, 2001**

(51) **LOC (7) Cl.** ..... **06-06**

(52) **U.S. Cl.** ..... **D6/499**

(58) **Field of Search** ..... D6/422-428, 495-499,  
D6/480, 484, 487; 312/194-196, 208.1;  
108/50.01, 50.02, 153.1, 156, 157.1, 161;  
248/188.1, 188.6, 188.8

(56) **References Cited**

**U.S. PATENT DOCUMENTS**

D376,712 S \* 12/1996 Mezger ..... D6/487  
D379,887 S \* 6/1997 Muller-Deisig et al. .... D6/484

D420,527 S \* 2/2000 Pinch et al. .... D6/429  
D423,258 S \* 4/2000 Pinch ..... D6/499  
D449,471 S \* 10/2001 Petersen ..... D6/495

\* cited by examiner

*Primary Examiner*—Janice E. Seeger

(74) *Attorney, Agent, or Firm*—Merchant & Gould P.C.

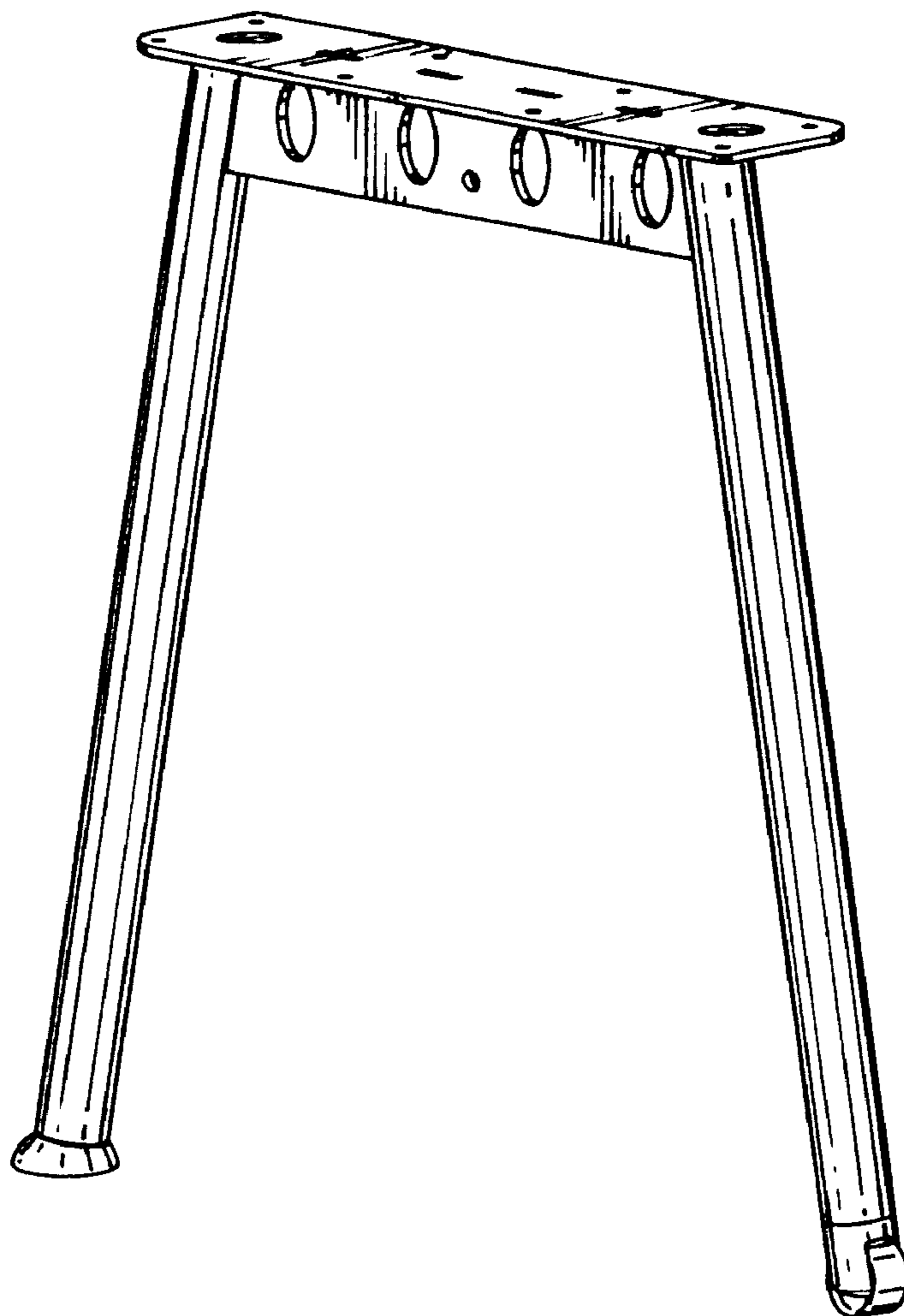
(57) **CLAIM**

The ornamental design for desk legs, as shown and described.

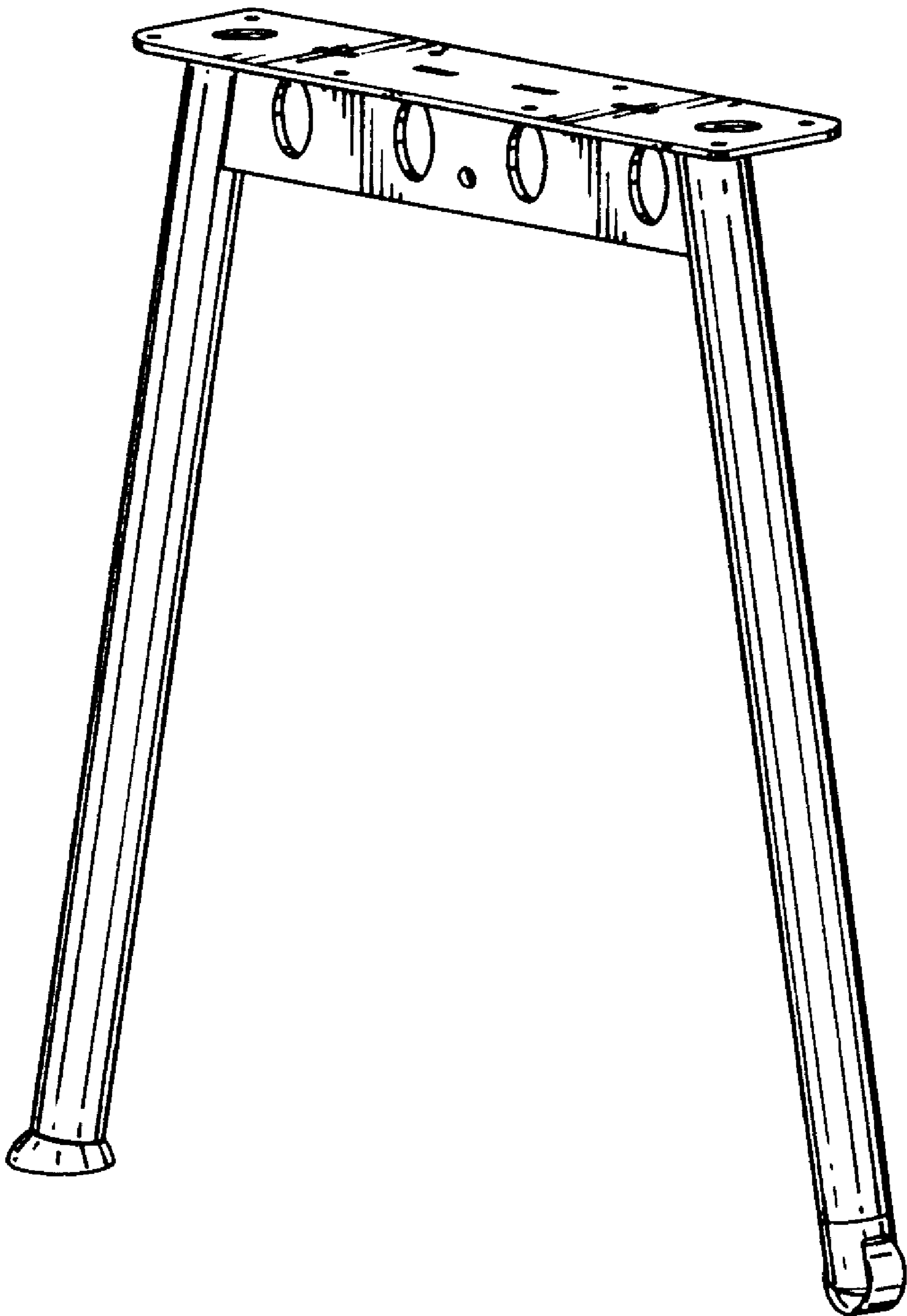
**DESCRIPTION**

FIG. 1 is a perspective view thereof;  
FIG. 2 is a rear view thereof;  
FIG. 3 is a front view thereof;  
FIG. 4 is a left side view thereof;  
FIG. 5 is a right side view thereof;  
FIG. 6 is a top elevational view thereof; and,  
FIG. 7 is a bottom view thereof.

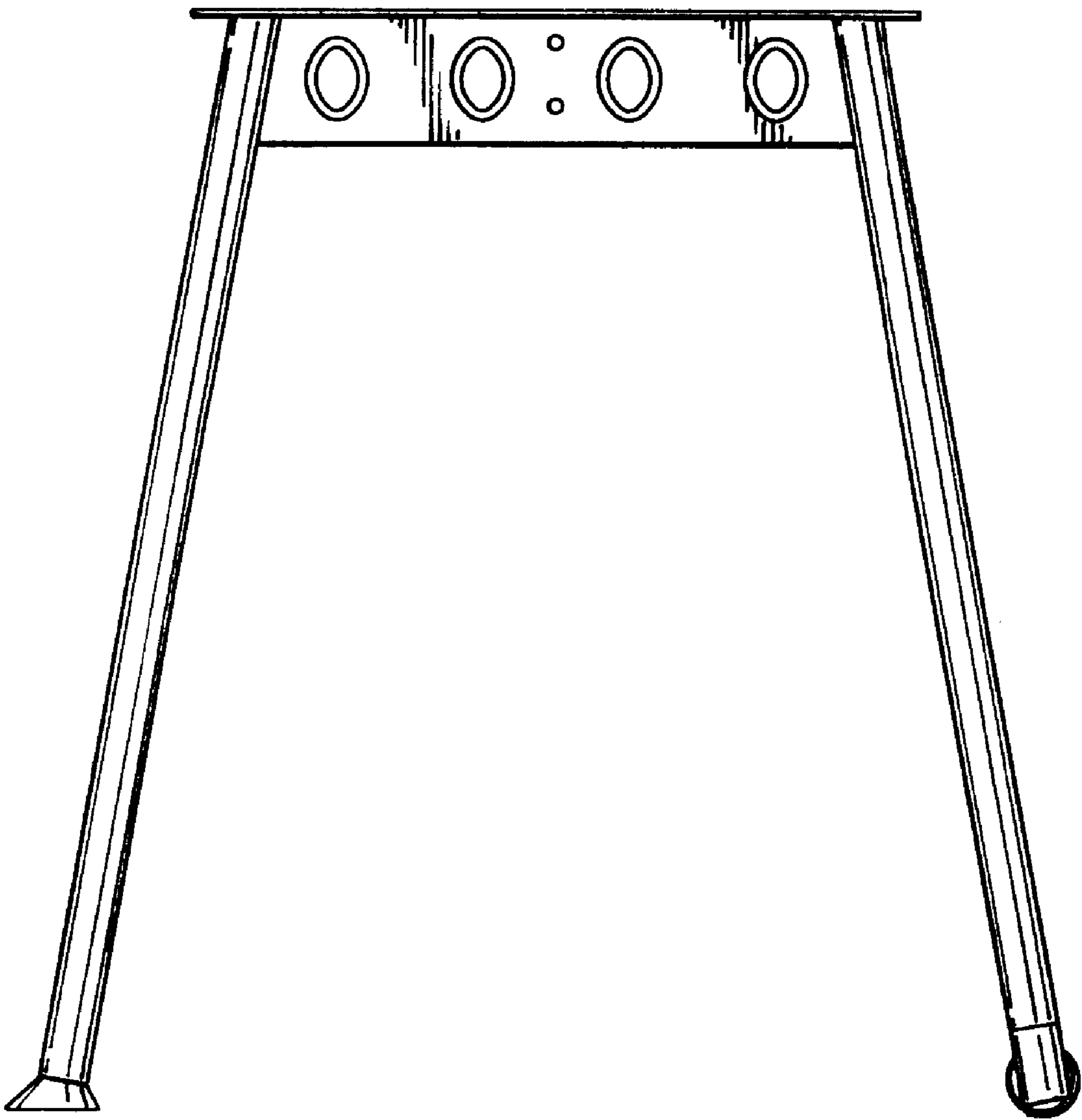
**1 Claim, 4 Drawing Sheets**



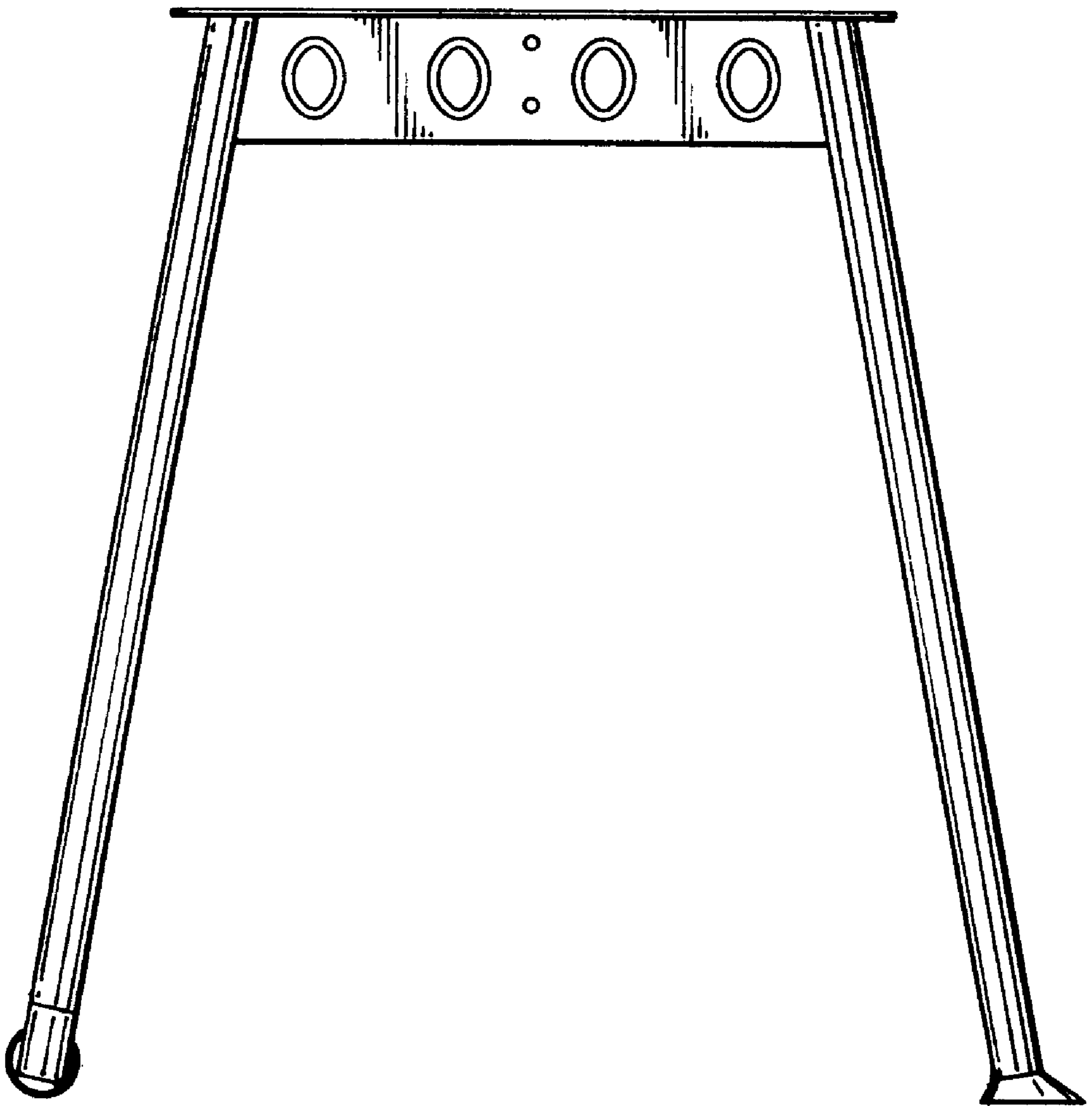
# FIG. 1



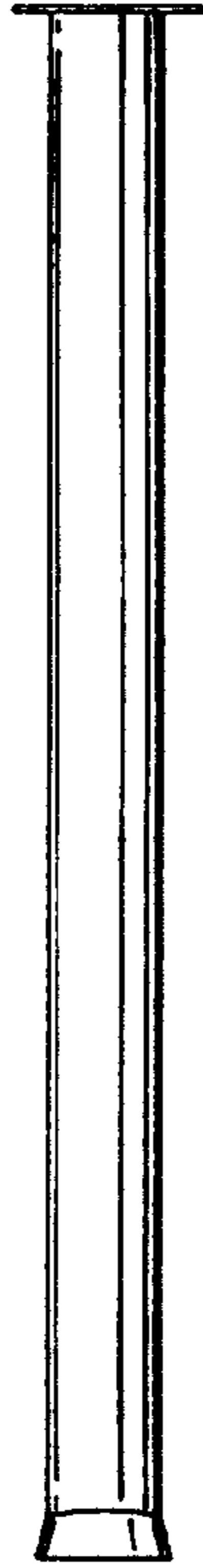
**FIG. 2**



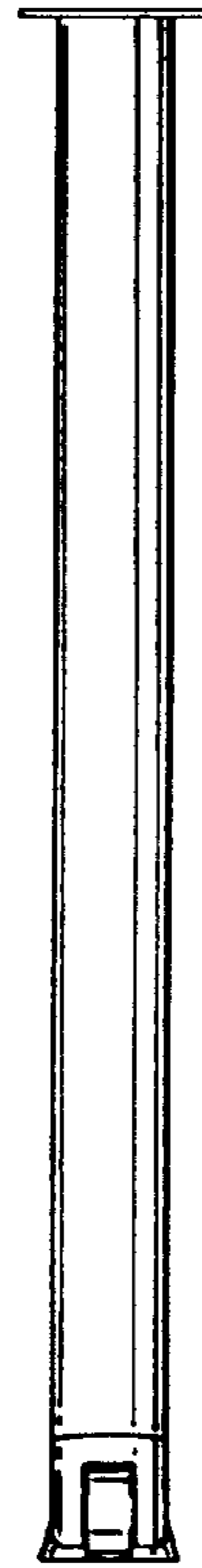
**FIG. 3**



**FIG. 4**



**FIG. 5**



**FIG. 6**



**FIG. 7**

