



US00D467446S

(12) **United States Design Patent**  
**Brass et al.**

(10) **Patent No.:** **US D467,446 S**

(45) **Date of Patent:** **\*\* Dec. 24, 2002**

(54) **MEDIA DISK RACK**

(75) Inventors: **Lucy Clare Brass, Milan (IT); Etien Veeman, Gorla di Veleso (IT)**

(73) Assignee: **Sunhing Millennium Ltd., Hong Kong (HK)**

(\*\*) Term: **14 Years**

(21) Appl. No.: **29/135,191**

(22) Filed: **Jan. 8, 2001**

(51) **LOC (7) Cl.** ..... **06-04**

(52) **U.S. Cl.** ..... **D6/407**

(58) **Field of Search** ..... D6/407, 629, 630,  
D6/449, 458, 462, 463, 464, 465; 108/59,  
60, 91, 92; 211/13.1, 34, 36, 37, 42, 43,  
50, 106

(56) **References Cited**

**U.S. PATENT DOCUMENTS**

- 3,762,573 A \* 10/1973 Collins et al. .... 211/34
- 5,617,959 A \* 4/1997 Klein et al. .... 211/37
- 5,992,647 A \* 11/1999 Malik ..... 211/34

- D426,977 S \* 6/2000 White ..... D6/407
- D428,277 S \* 7/2000 White ..... D6/407
- D431,954 S \* 10/2000 White ..... D6/630
- 6,257,425 B1 \* 7/2001 Liu ..... 211/90.01
- D450,199 S \* 11/2001 White ..... D6/407

\* cited by examiner

*Primary Examiner*—Cathron C. Brooks

(74) *Attorney, Agent, or Firm*—Burns, Doane, Swecker & Mathis, L.L.P.

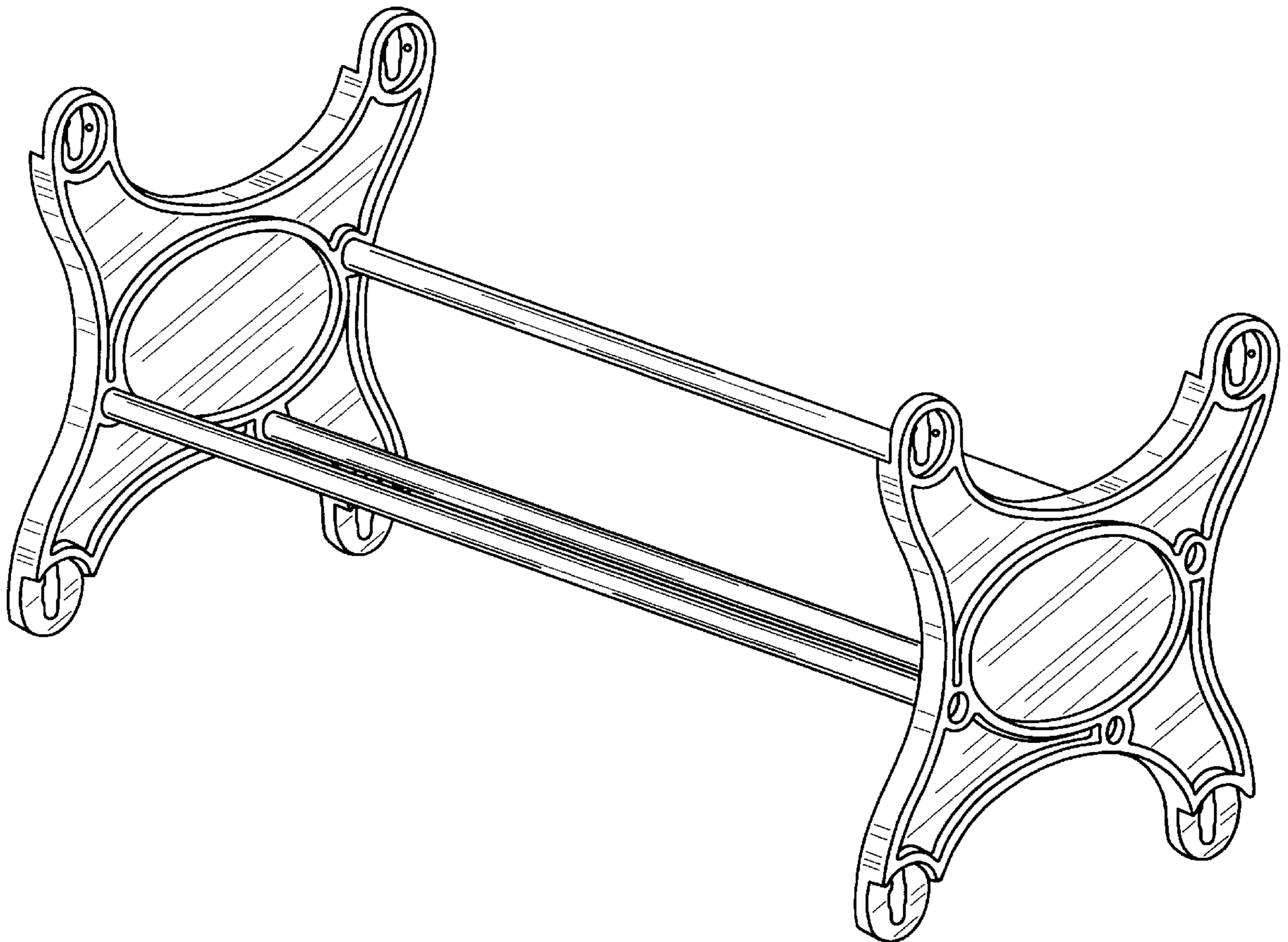
(57) **CLAIM**

The ornamental design for a “media disk rack”, as shown and described.

**DESCRIPTION**

FIG. 1 is a front view of a first embodiment of a “media disk rack”, incorporating our new design;  
 FIG. 2 is a rear view thereof;  
 FIG. 3 is a left side view thereof;  
 FIG. 4 is a right view thereof;  
 FIG. 5 is a top plan view thereof;  
 FIG. 6 is a bottom view thereof; and,  
 FIG. 7 is a front perspective view thereof from top and right.

**1 Claim, 4 Drawing Sheets**



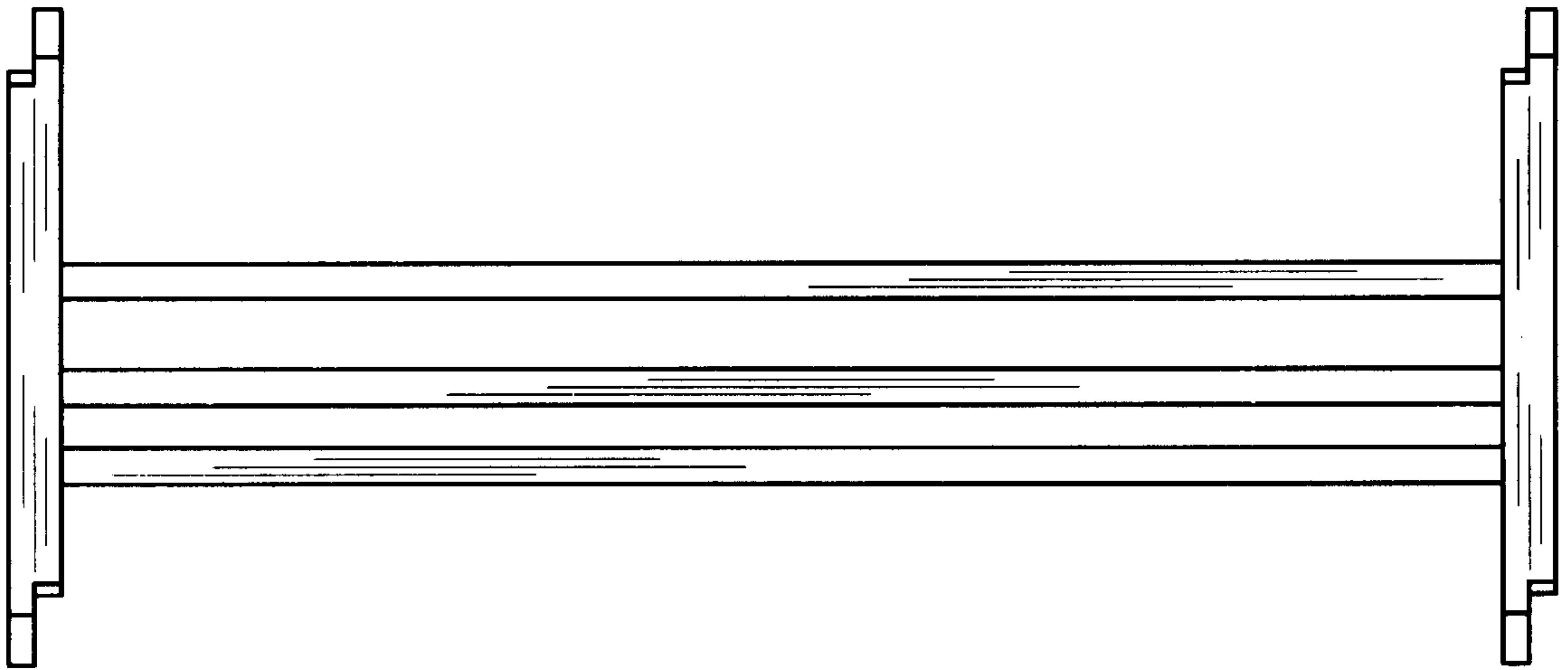


FIG. 1

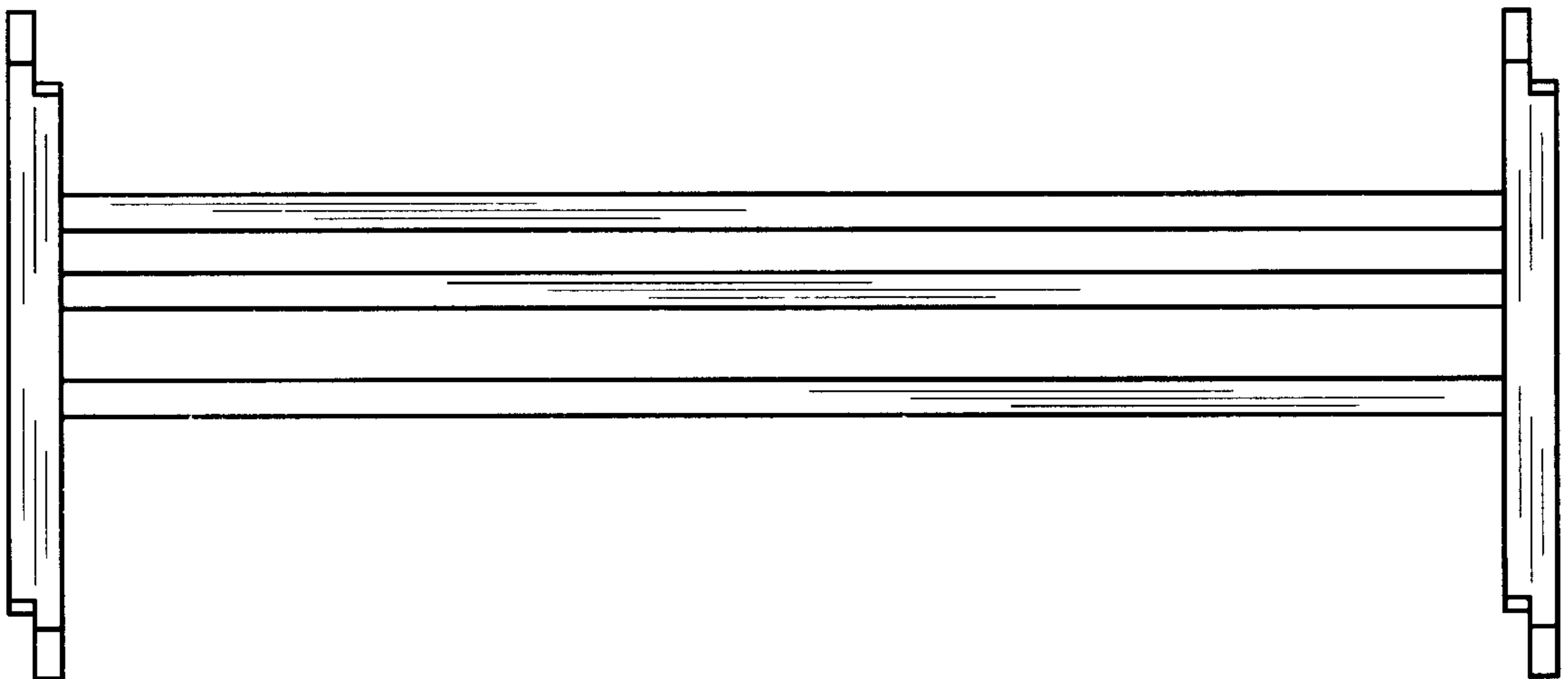


FIG. 2

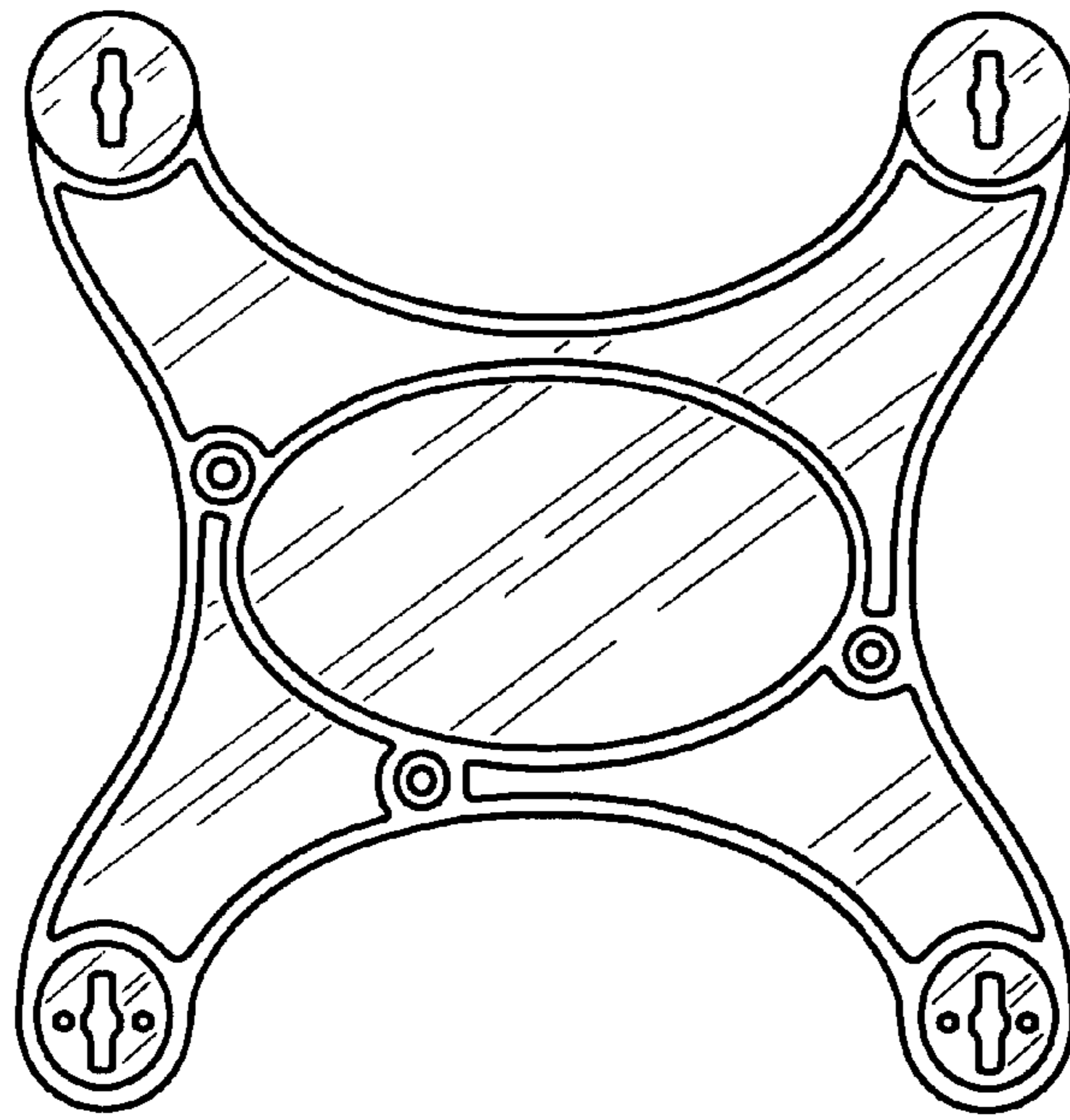


FIG. 3

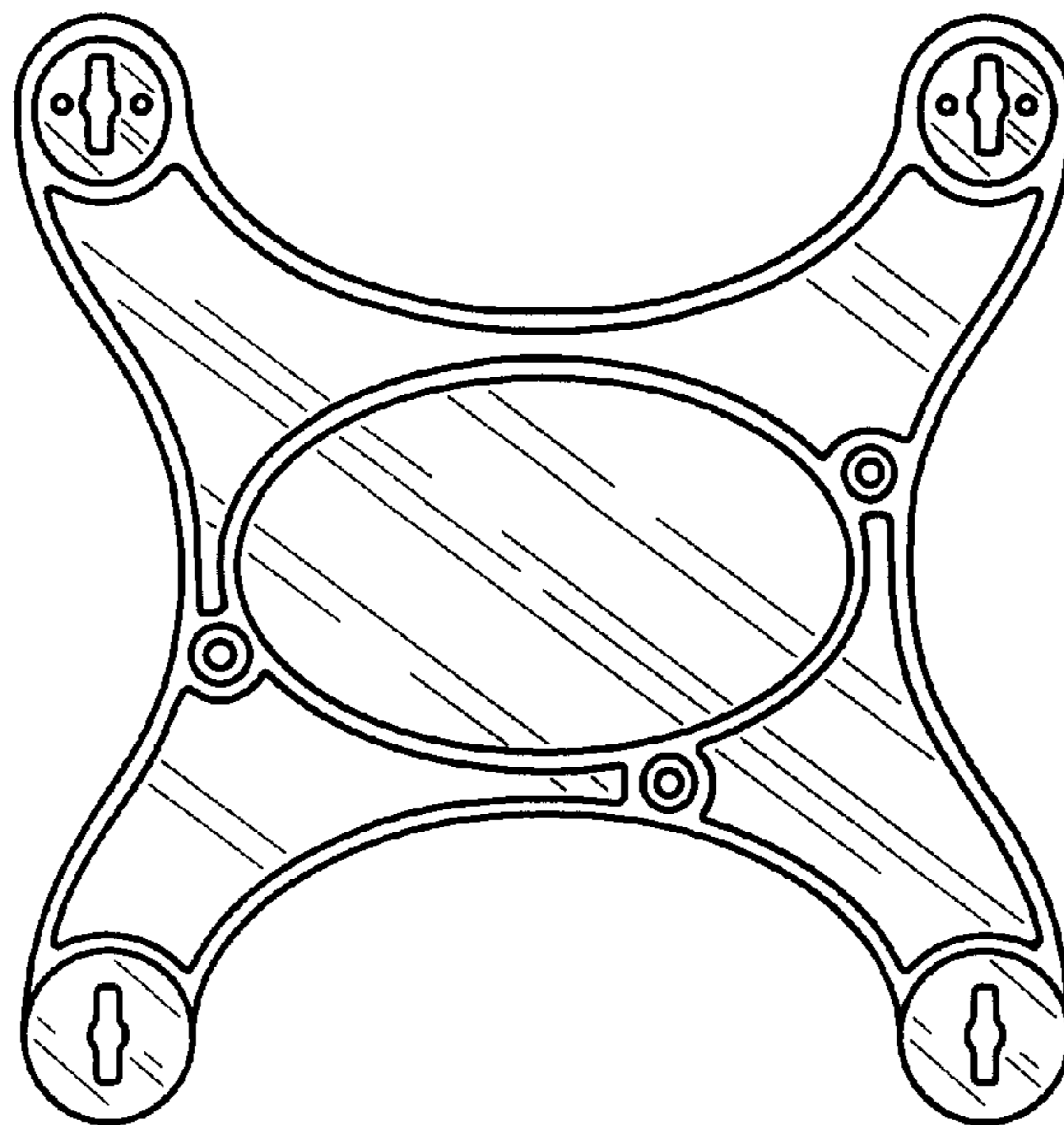


FIG. 4

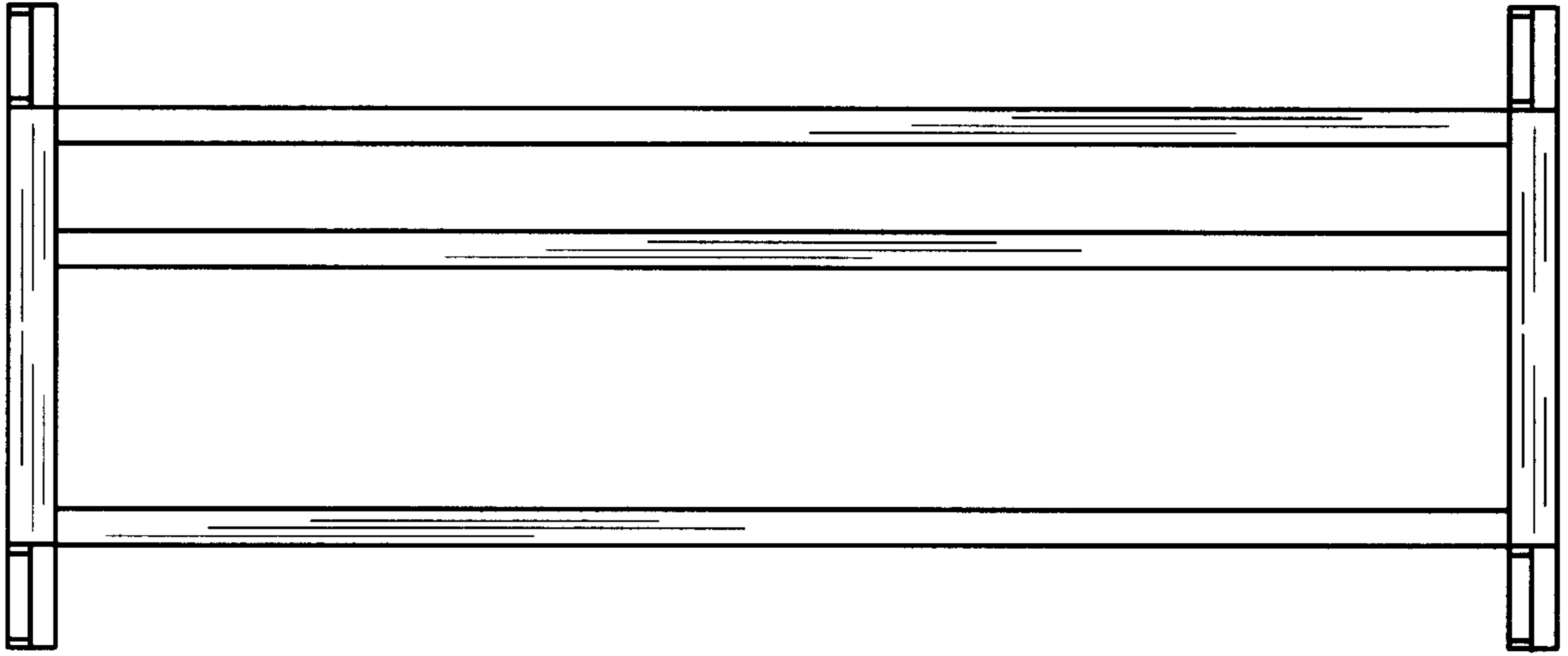


FIG. 5

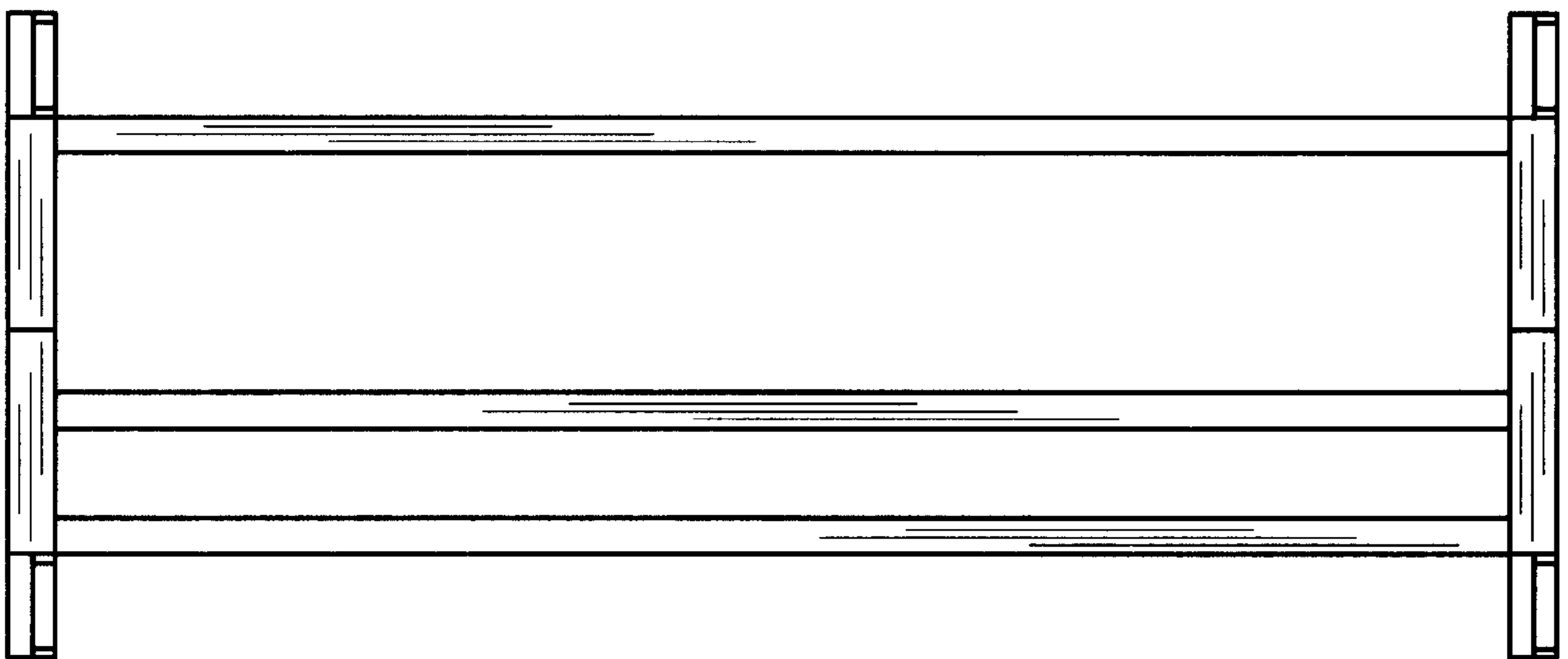


FIG. 6

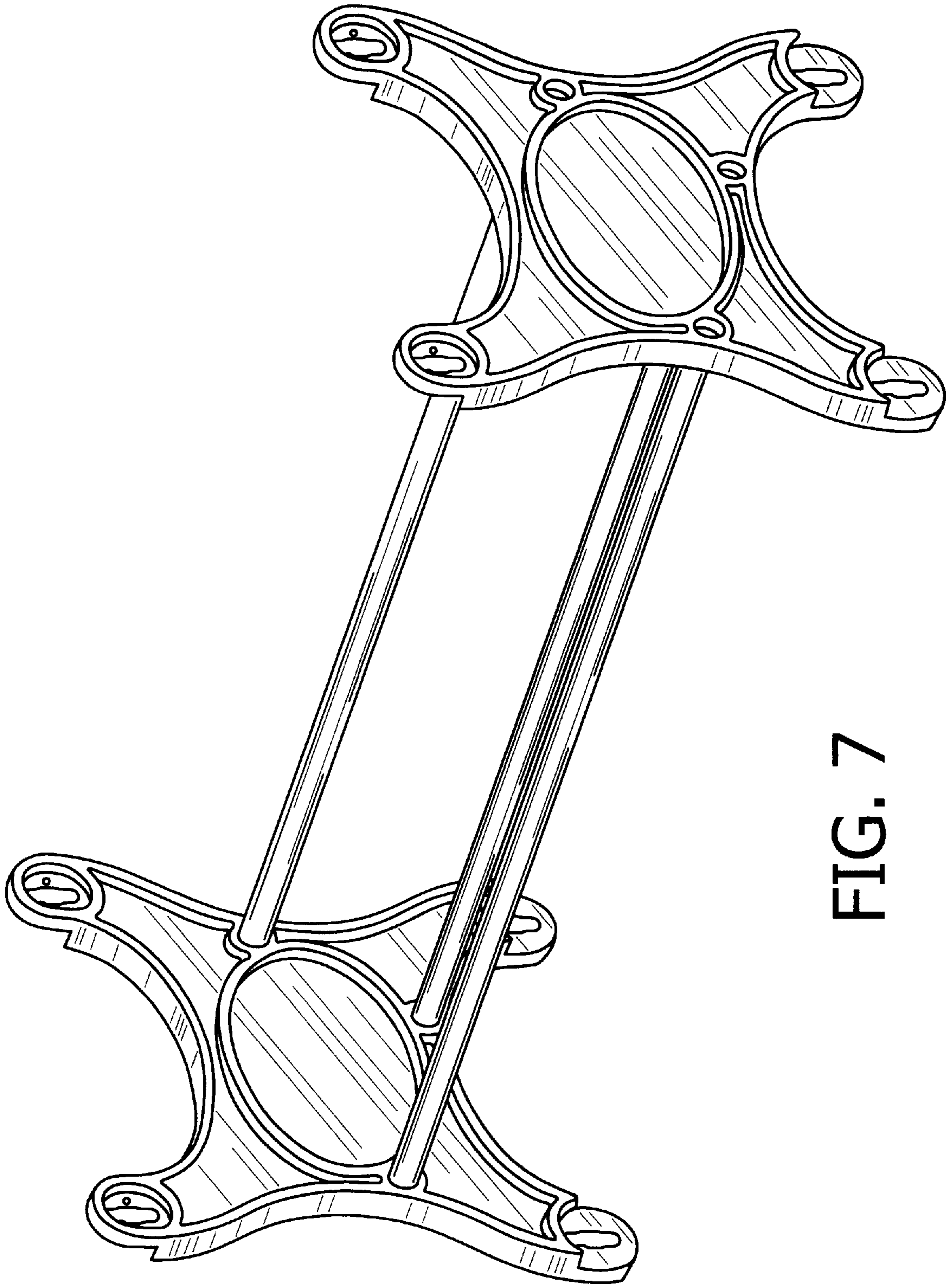


FIG. 7