



US00D467443S

(12) **United States Design Patent**
Kwon

(10) **Patent No.:** **US D467,443 S**

(45) **Date of Patent:** **** Dec. 24, 2002**

(54) **CHAIR**

(75) Inventor: **Dong-Yul Kwon**, Seoul (KR)

(73) Assignee: **Fursys, Inc.**, Seoul (KR)

(**) Term: **14 Years**

(21) Appl. No.: **29/152,364**

(22) Filed: **Dec. 13, 2001**

(51) **LOC (7) Cl.** **06-01**

(52) **U.S. Cl.** **D6/366**

(58) **Field of Search** D6/334, 364, 365,
D6/366, 367, 500, 501, 502; 297/411.2,
411.27, 411.36

(56) **References Cited**

U.S. PATENT DOCUMENTS

D375,009 S	*	10/1996	Webb	D6/500
D390,712 S	*	2/1998	Koepke et al.	D6/366
D395,366 S	*	6/1998	Favaretto	D6/366
D395,761 S	*	7/1998	Saul	D6/366

D407,911 S	*	4/1999	Bräuning	D6/366
D410,799 S	*	6/1999	Meda	D6/366
D434,575 S	*	12/2000	Deacon	D6/366
D437,701 S	*	2/2001	Bellini et al.	D6/366
D445,580 S	*	7/2001	Pennington et al.	D6/366

* cited by examiner

Primary Examiner—Gary D. Watson

(74) *Attorney, Agent, or Firm*—Merchant & Gould P.C.

(57) **CLAIM**

The ornamental design for chair, as shown and described.

DESCRIPTION

FIG. 1 is a perspective view thereof;
FIG. 2 is a front view thereof;
FIG. 3 is a rear view thereof;
FIG. 4 is a left side view thereof;
FIG. 5 is a right side view thereof;
FIG. 6 is a top plan view thereof; and,
FIG. 7 is a bottom plan view thereof.

1 Claim, 6 Drawing Sheets

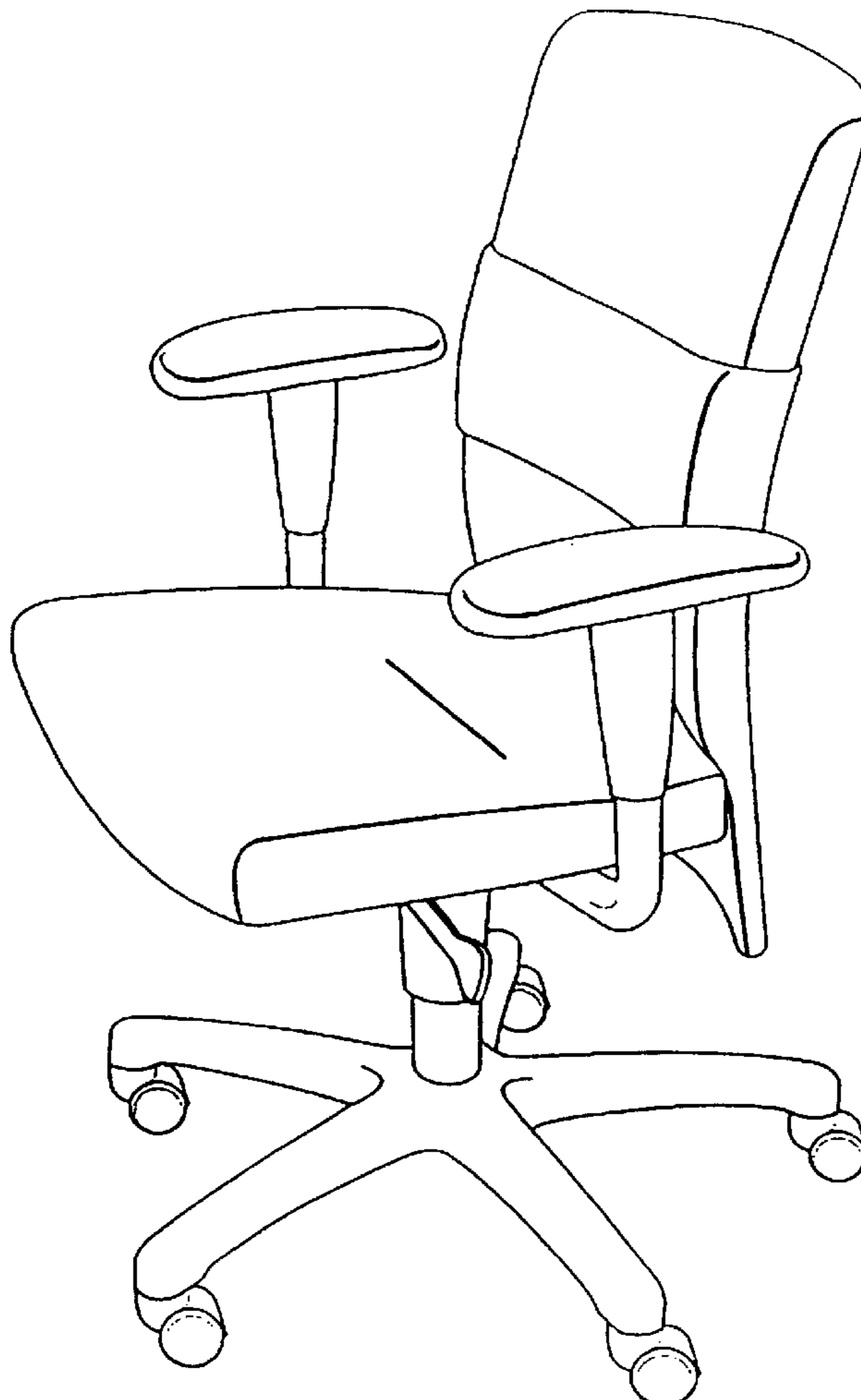


FIG. 1

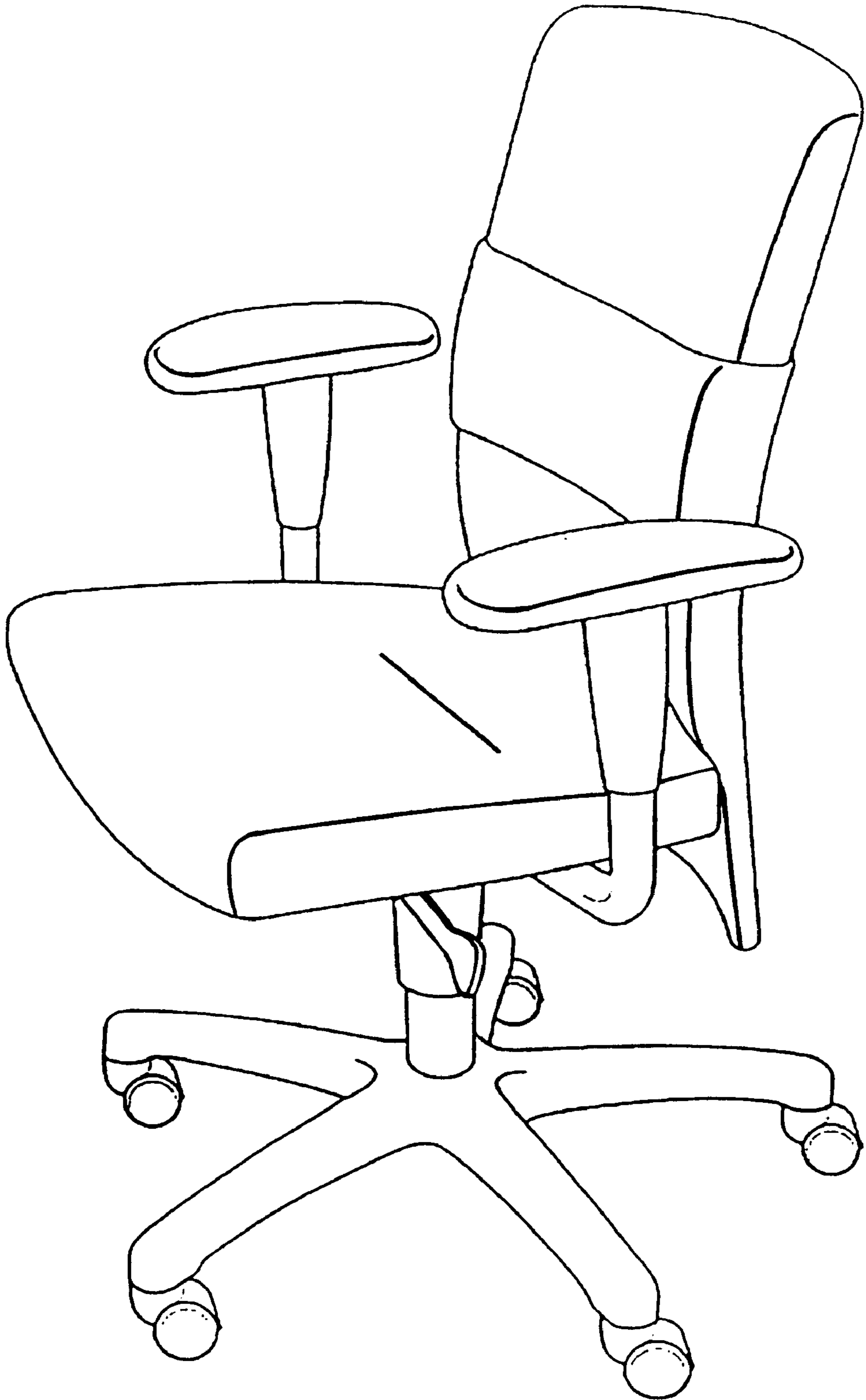


FIG. 2

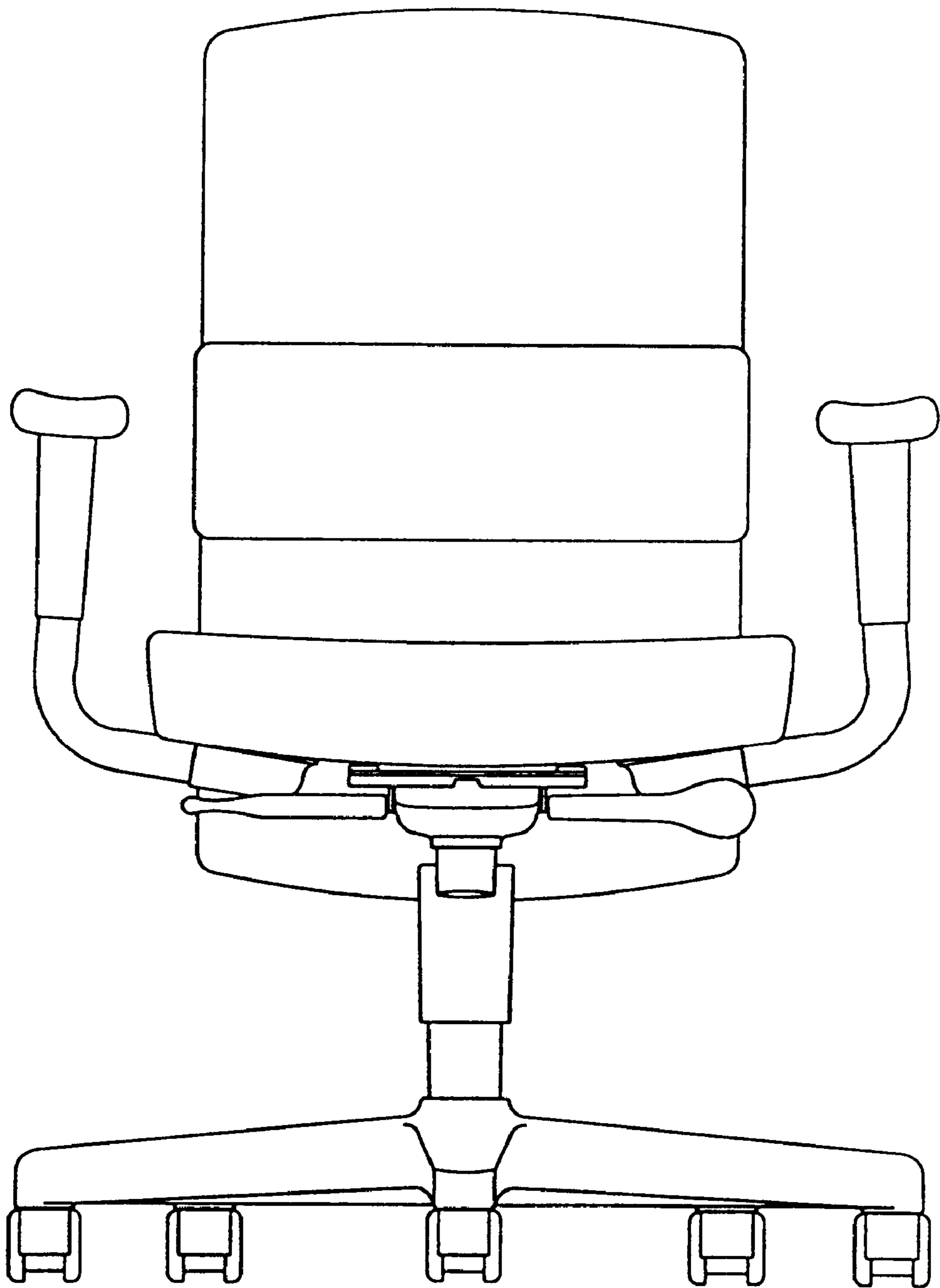


FIG. 3

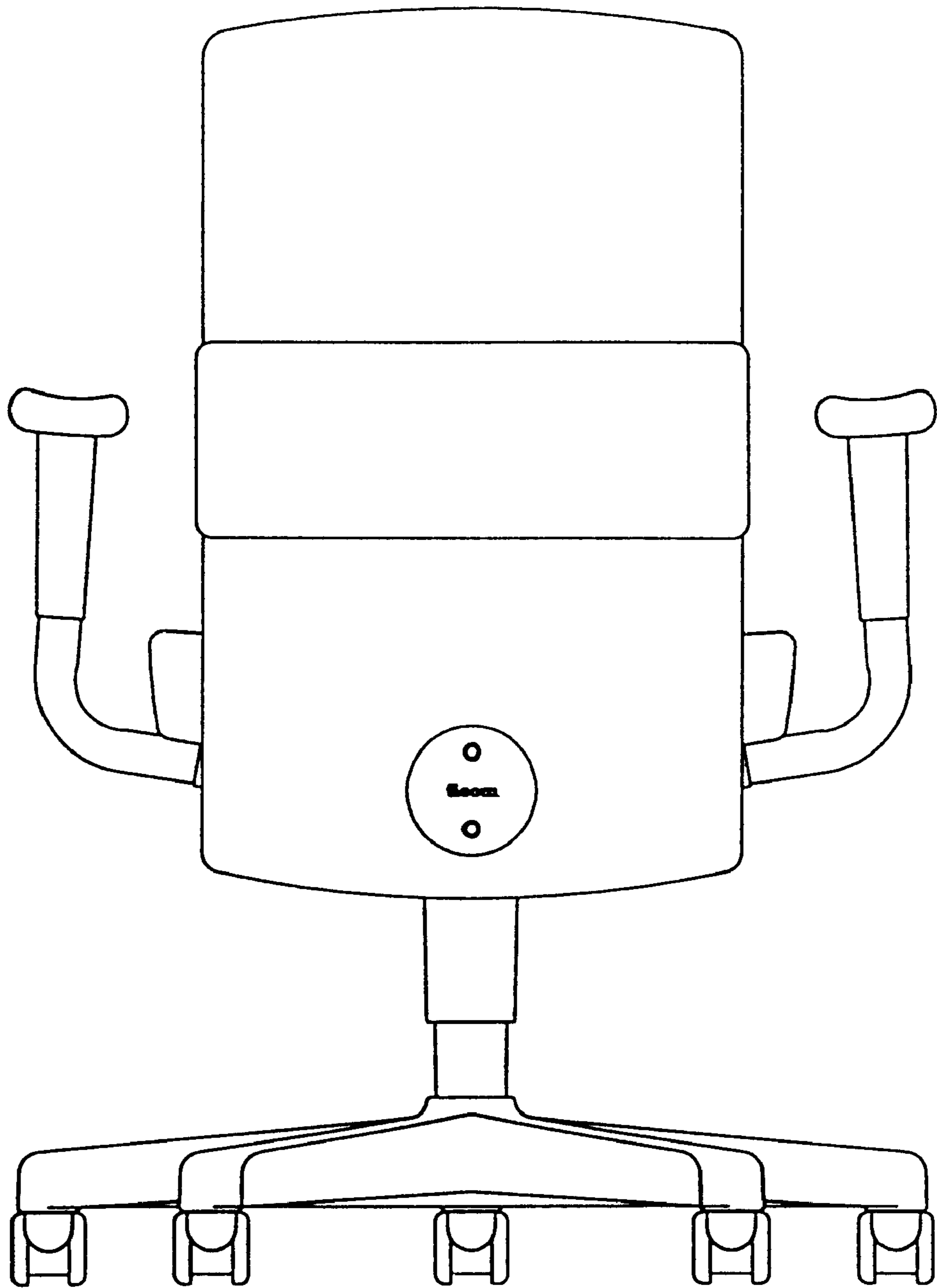


FIG. 4

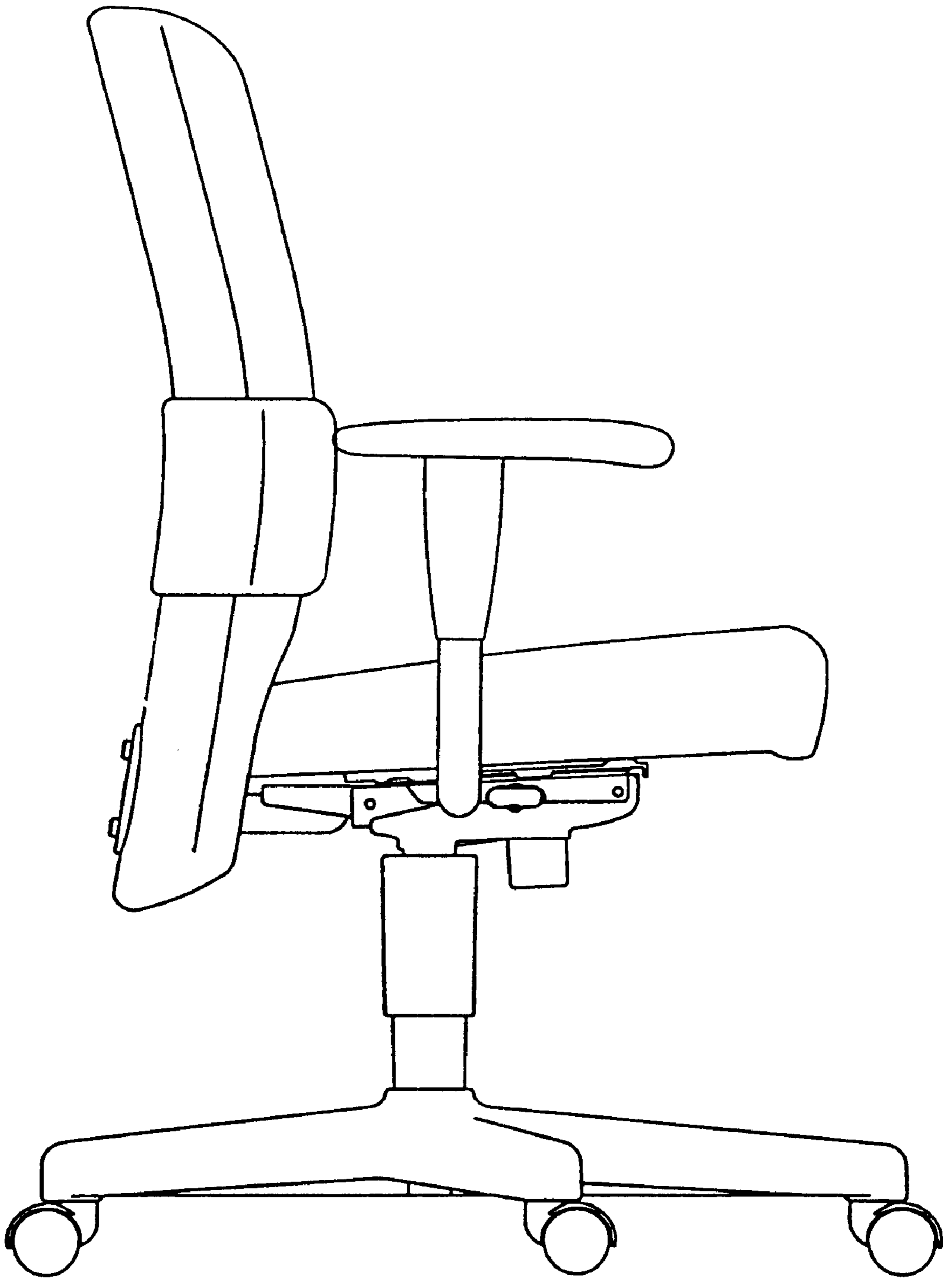


FIG. 5

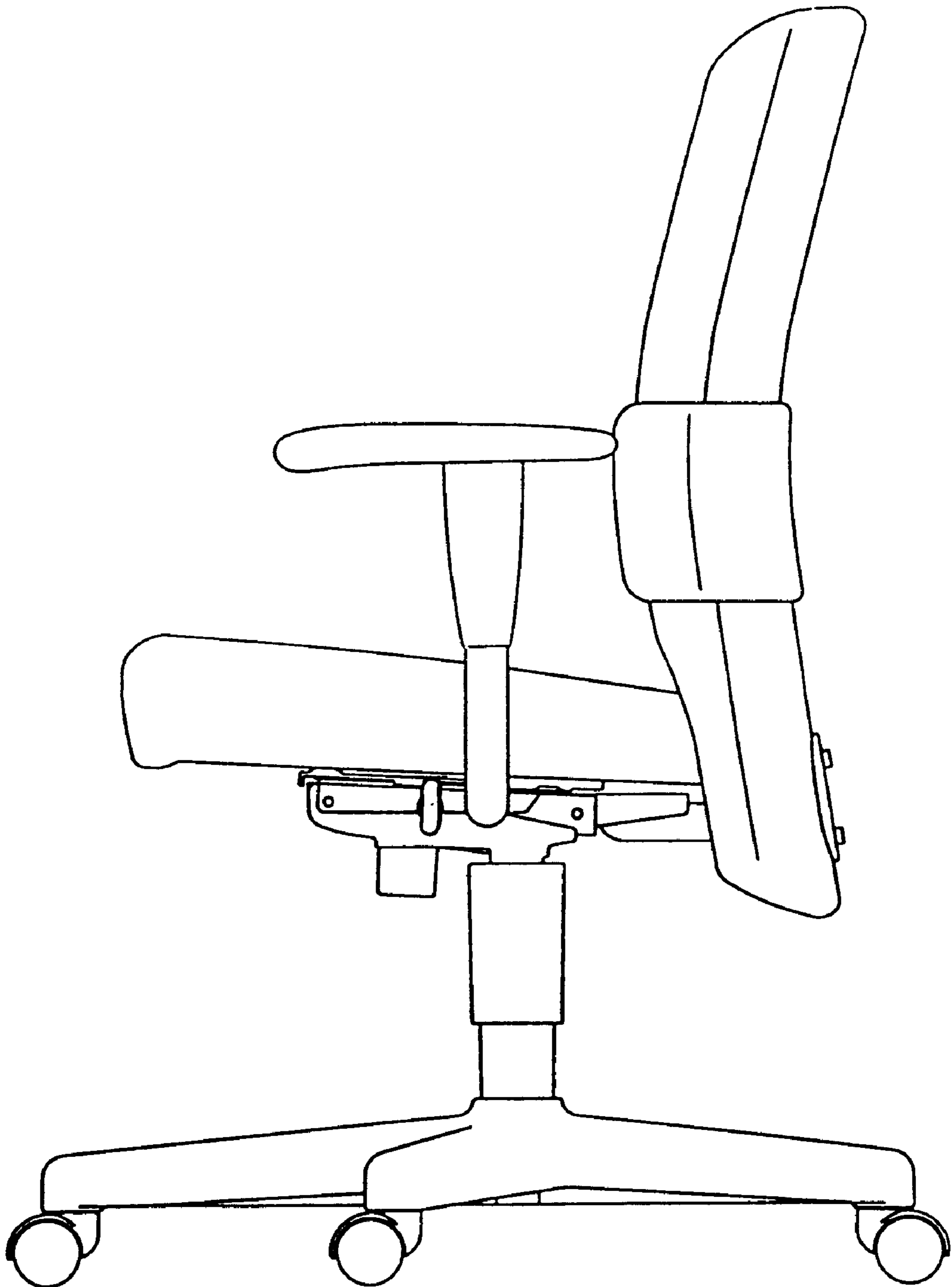


FIG. 6

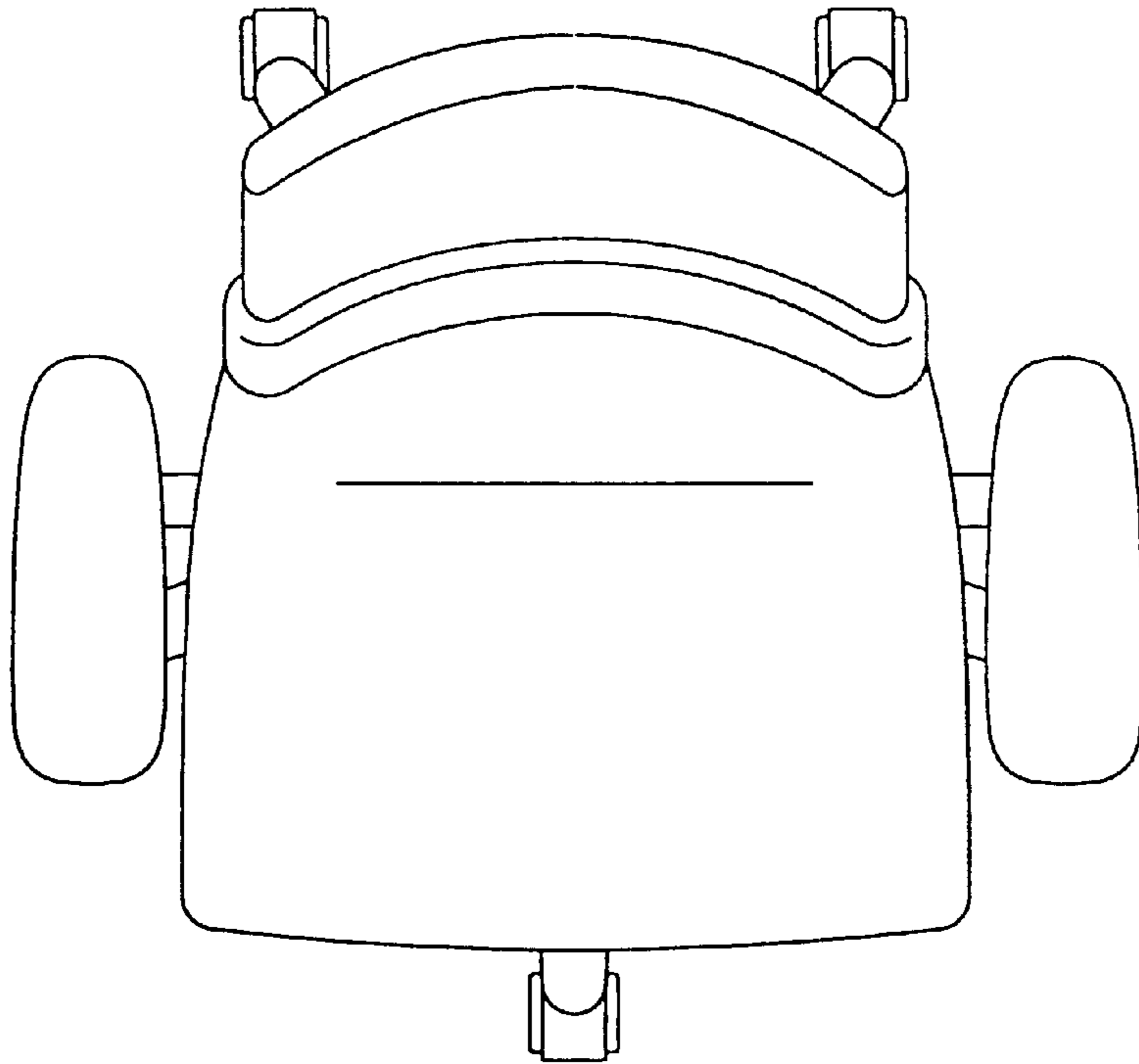


FIG. 7

