



US00D467442S

(12) **United States Design Patent**
Zaidman

(10) **Patent No.:** **US D467,442 S**

(45) **Date of Patent:** **** Dec. 24, 2002**

(54) **CHAIR**

(75) Inventor: **Paul Zaidman, Winnipeg (CA)**

(73) Assignee: **Chairworks Taiwan Limited (CN)**

(**) Term: **14 Years**

(21) Appl. No.: **29/149,279**

(22) Filed: **Oct. 5, 2001**

(30) **Foreign Application Priority Data**

Apr. 12, 2001 (CA) 2001-0956

(51) **LOC (7) Cl.** **06-01**

(52) **U.S. Cl.** **D6/366**

(58) **Field of Search** D6/334, 364, 365,
D6/366, 367, 500, 501, 502; 297/411.2,
411.27, 411.28

(56) **References Cited**

U.S. PATENT DOCUMENTS

- D282,510 S * 2/1986 Diffrient D6/366
- D299,987 S * 2/1989 Jenkins D6/366
- D302,769 S * 8/1989 Jenkins D6/366
- D379,408 S * 5/1997 Feldberg D6/366

- D387,917 S * 12/1997 Tedesco et al. D6/366
- D388,269 S * 12/1997 Tedesco et al. D6/501
- D400,019 S * 10/1998 Tseng D6/366
- D403,169 S * 12/1998 Tseng D6/366
- D410,159 S * 5/1999 Wu D6/501
- D458,779 S * 6/2002 Lee D6/501

* cited by examiner

Primary Examiner—Gary D. Watson

(74) *Attorney, Agent, or Firm*—Bierman, Muserlian and Lucas

(57) **CLAIM**

The ornamental design for a chair, substantially as shown and described.

DESCRIPTION

FIG. 1 is a perspective view of my chair design;
FIG. 2 is a front view of my chair design;
FIG. 3 is a back view of my chair design;
FIG. 4 is a side view of my chair design;
FIG. 5 is an opposite side view of my chair design;
FIG. 6 is a top view of my chair design; and,
FIG. 7 is a bottom view of my chair design.

1 Claim, 6 Drawing Sheets





FIG. 1

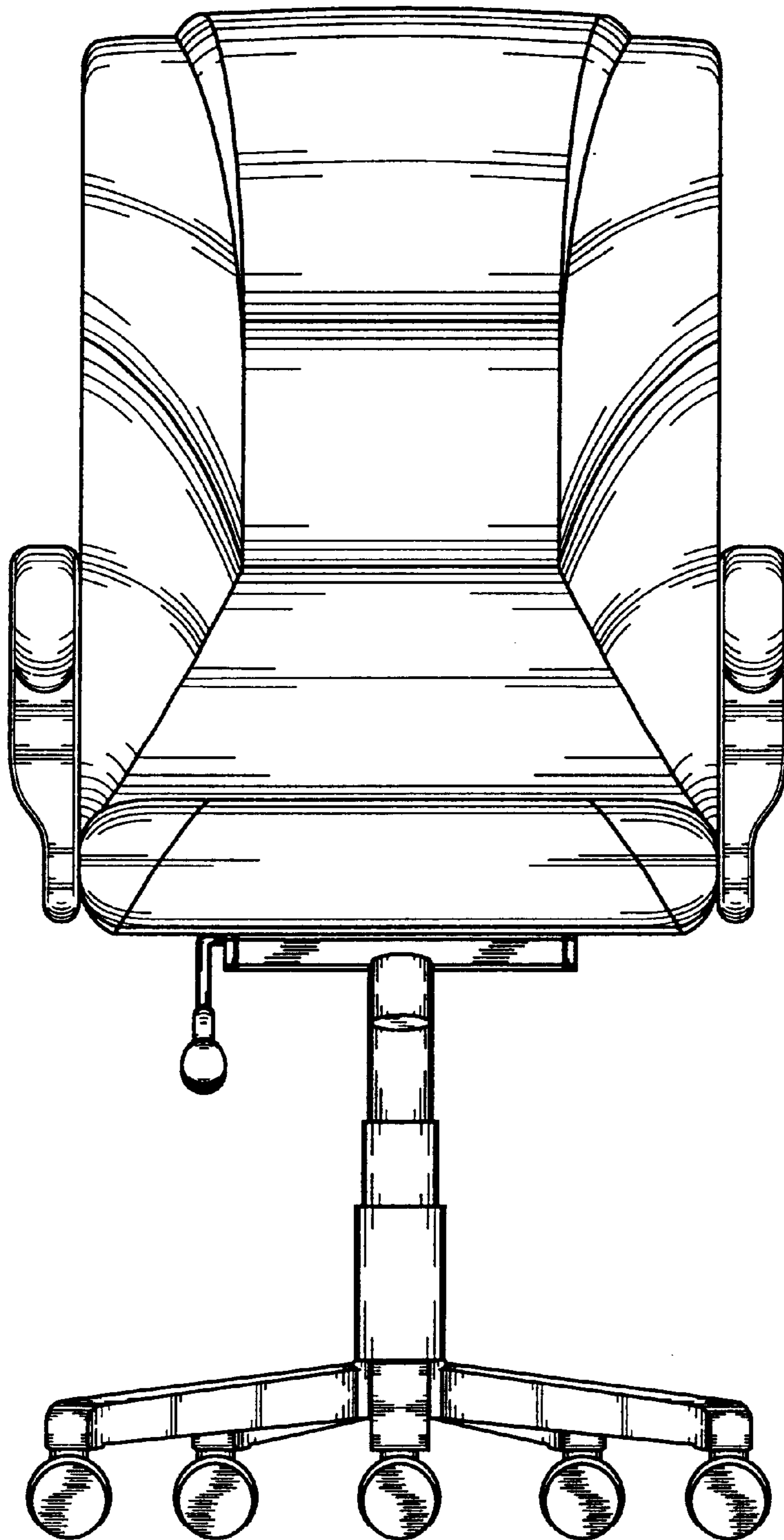


FIG. 2

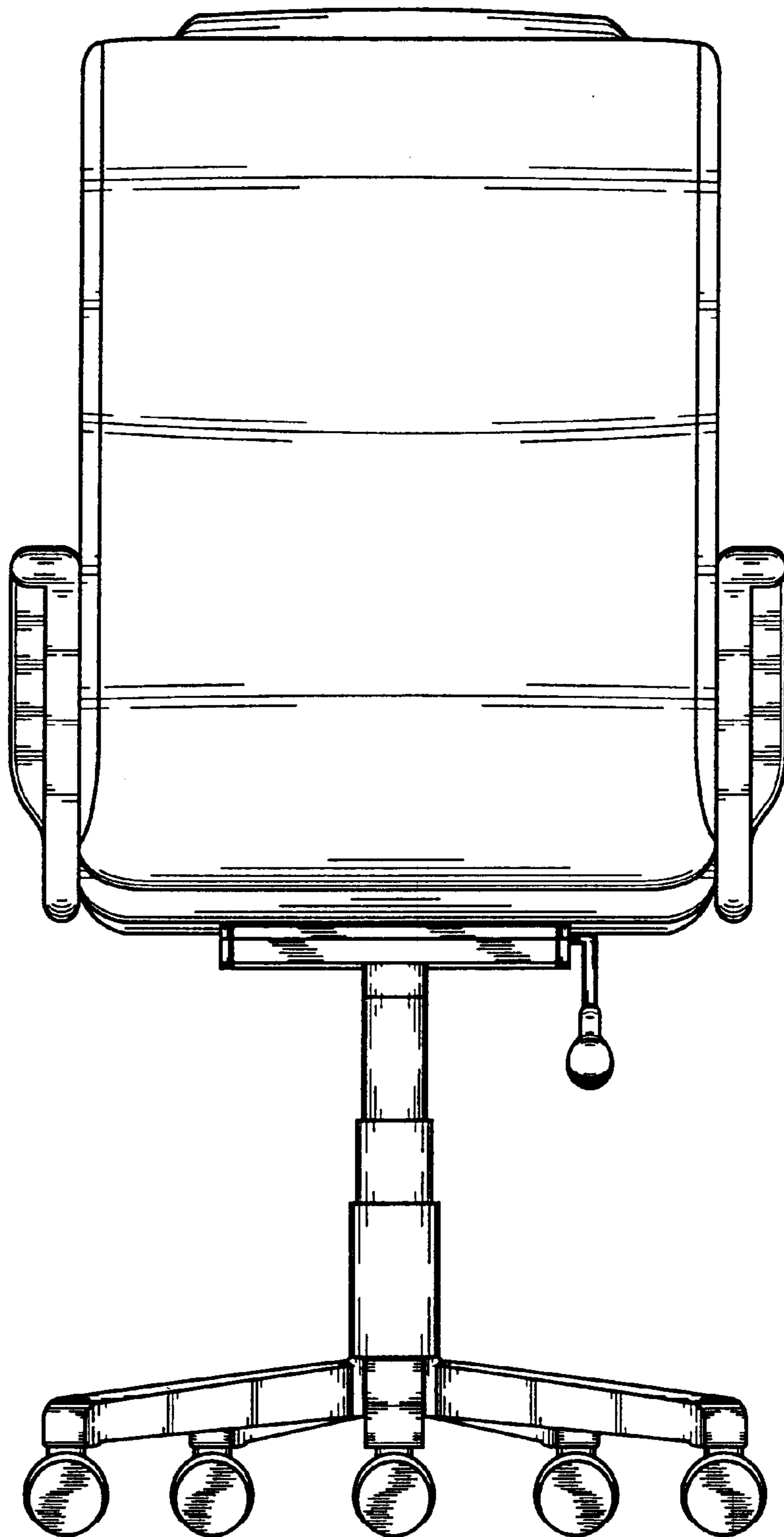


FIG. 3

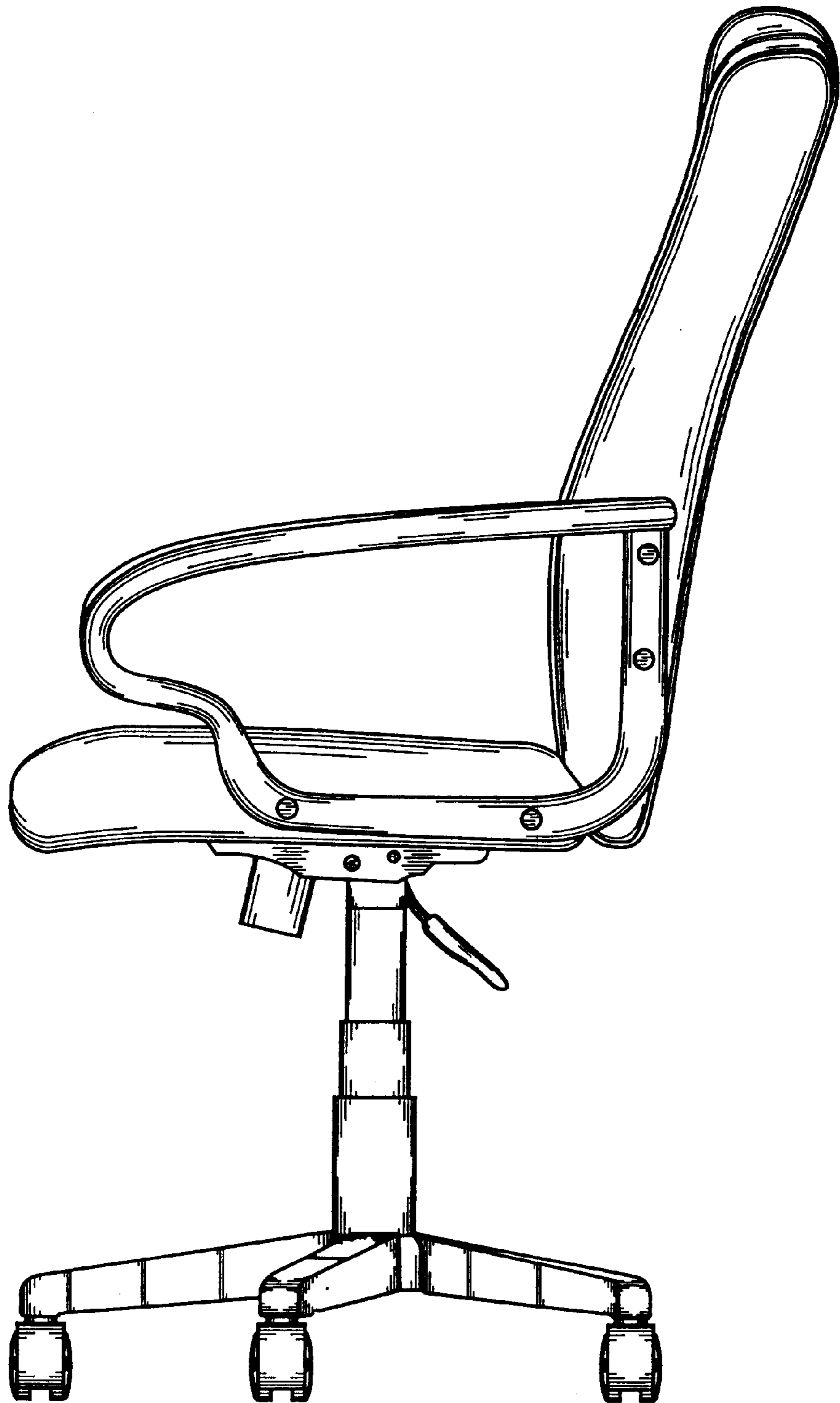


FIG. 4

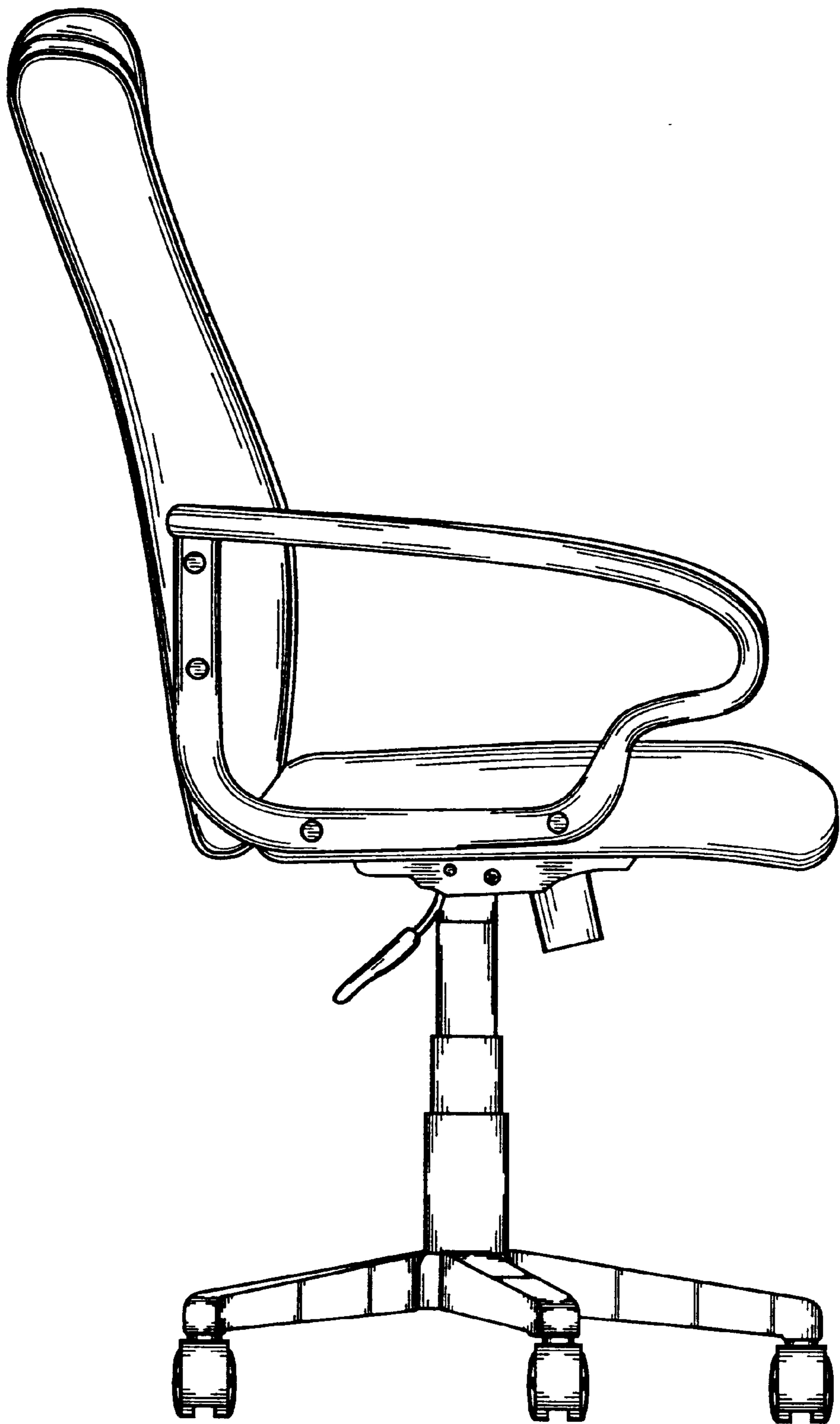


FIG. 5

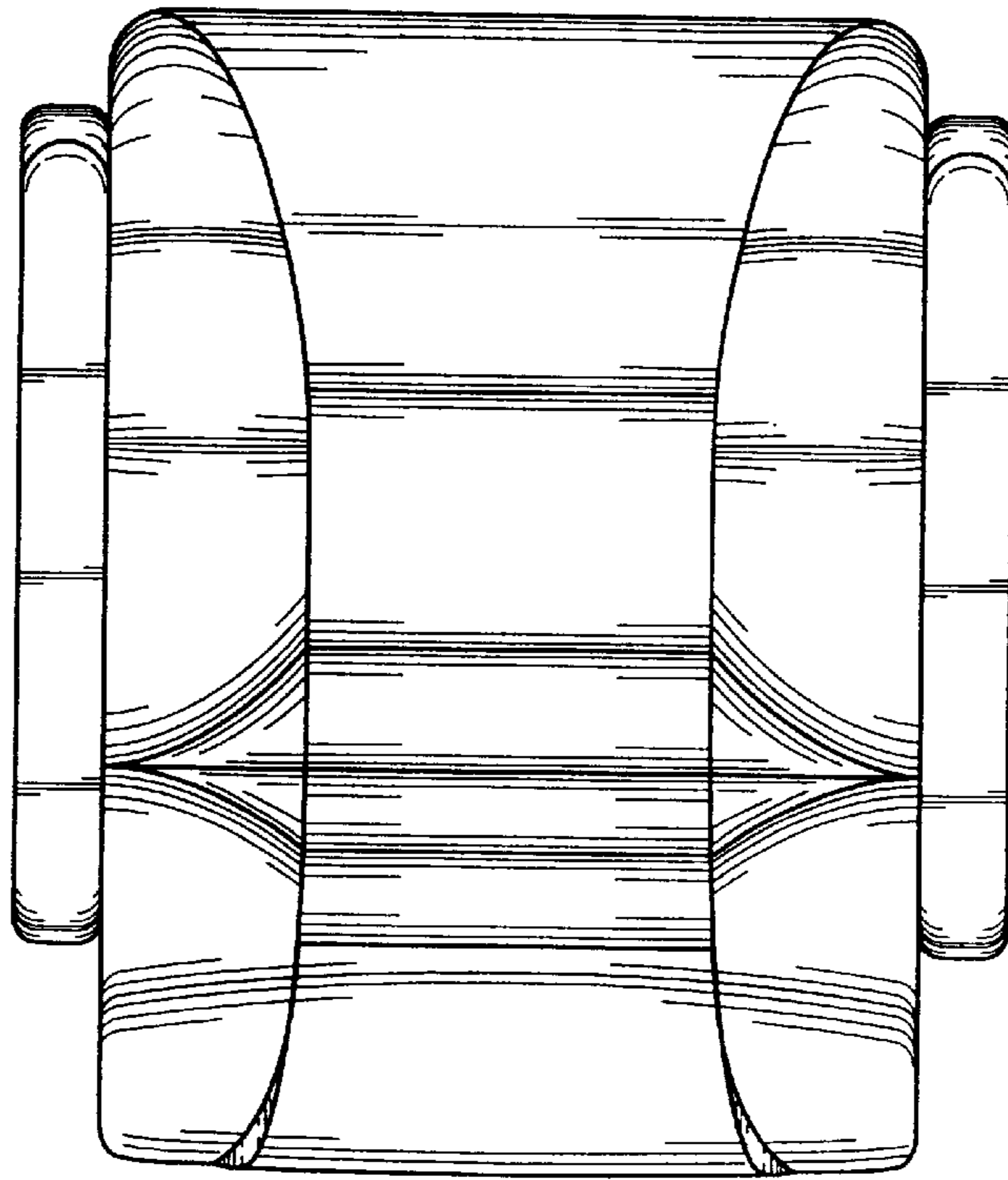


FIG. 6

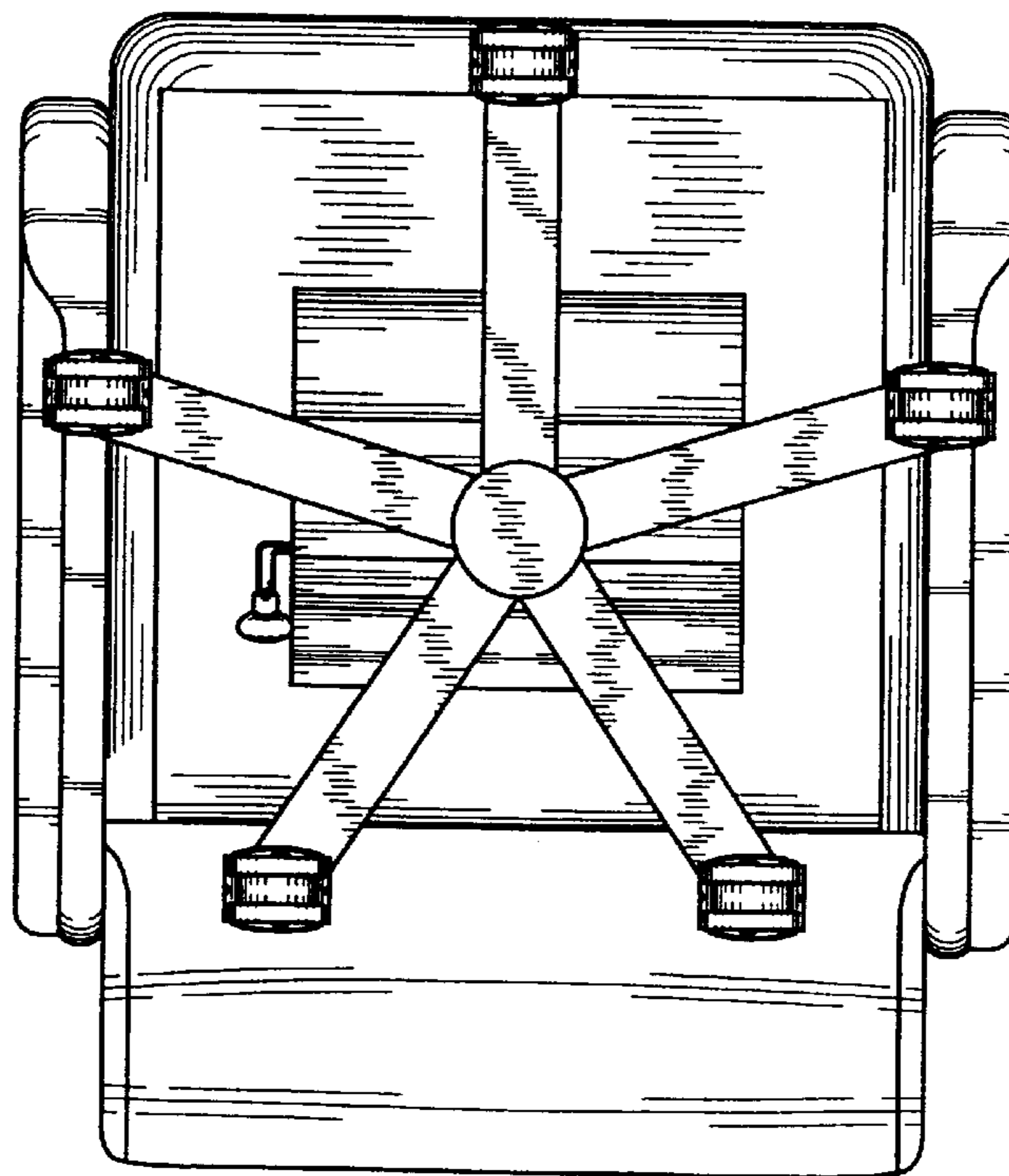


FIG. 7