



US00D467441S

(12) **United States Design Patent**
Cox

(10) **Patent No.:**

US D467,441 S

(45) **Date of Patent:**

**** Dec. 24, 2002**

(54) **SADDLE FOR PEDAL-DRIVEN OR LIKE MACHINE**

(76) **Inventor:** **Brian Anthony Cox**, The White House,
Yarmouth Road, North Walsham,
Norfolk NR28 9AT (GB)

(**) **Term:** **14 Years**

(21) **Appl. No.:** **29/147,270**

(22) **Filed:** **Aug. 24, 2001**

(30) **Foreign Application Priority Data**

Feb. 27, 2001 (GB) 2099840

(51) **LOC (7) Cl.** **06-01**

(52) **U.S. Cl.** **D6/354**

(58) **Field of Search** D6/354; 297/195.1,
297/196-215.16; D12/111

(56) **References Cited**

U.S. PATENT DOCUMENTS

701,390	A	6/1902	Provoost	
1,350,987	A	8/1920	Cherry	
4,541,668	A	9/1985	Rouw	297/201
4,773,705	A	9/1988	Terranova	297/195
5,123,698	A	6/1992	Hodges	297/201
5,356,205	A	10/1994	Calvert et al.	297/452.41
5,645,315	A	7/1997	Walker et al.	297/215.1
5,670,232	A	9/1997	Bigolin	428/71
5,823,618	A	* 10/1998	Fox et al.	297/195.1
5,863,094	A	1/1999	Endo	297/201
6,152,524	A	11/2000	Cox	297/201

FOREIGN PATENT DOCUMENTS

CA 1146460 5/1983 B62T/1/00

DE	99557	4/1898	
EP	0 043 278	1/1982 B62J/1/00
EP	0 091 016	10/1983 B62J/1/00
EP	0 467 541	1/1992 B62J/1/00
FR	2720996	12/1995 B62J/1/04
WO	WO93/04907	3/1993 B62J/1/00
WO	WO94/25331	11/1994 B62J/1/00
WO	WO97/32774	9/1997 B62J/1/04

* cited by examiner

Primary Examiner—Alan P. Douglas

Assistant Examiner—Linda Brooks

(74) *Attorney, Agent, or Firm*—Synnestvedt & Lechner LLP

(57) **CLAIM**

The ornamental design for a saddle for pedal-driven or like machine, as shown and described.

DESCRIPTION

FIG. 1 is a top plan view of my design for a saddle for pedal-driven or like machine;

FIG. 2 is a bottom plan view of the saddle for pedal-driven or like machine shown in FIG. 1;

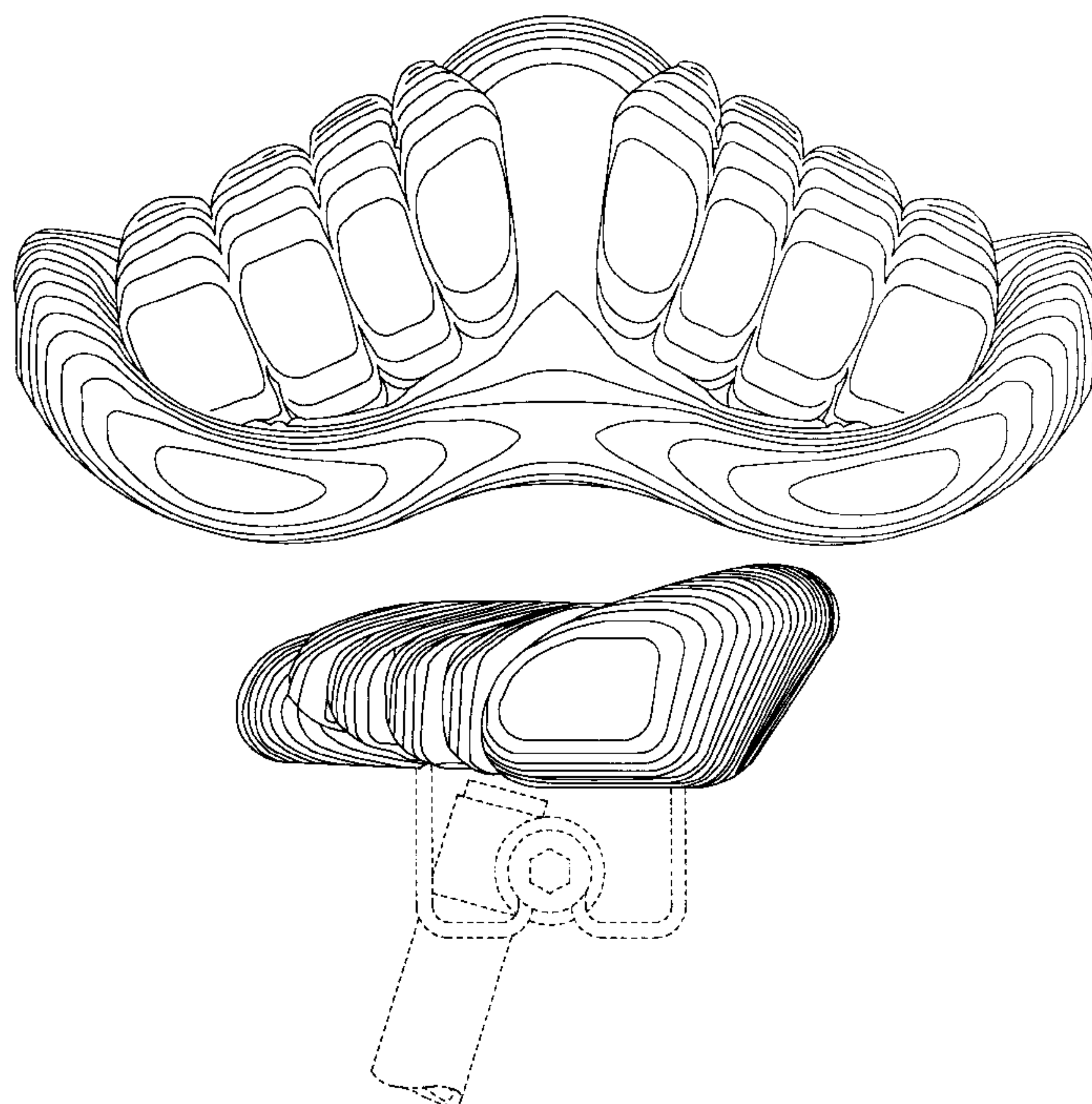
FIG. 3 is a rear end view of the saddle for pedal-driven or like machine shown in FIG. 1;

FIG. 4 is a left side view of the saddle for pedal-driven or like machine shown in FIG. 1, the right side view being identical thereto; and,

FIG. 5 is a front end view of the saddle for pedal-driven or like machine shown in FIG. 1.

The broken lines in FIGS. 2-5 are in no way intended to form part of the claimed design and are for illustrative purposes only.

1 Claim, 3 Drawing Sheets



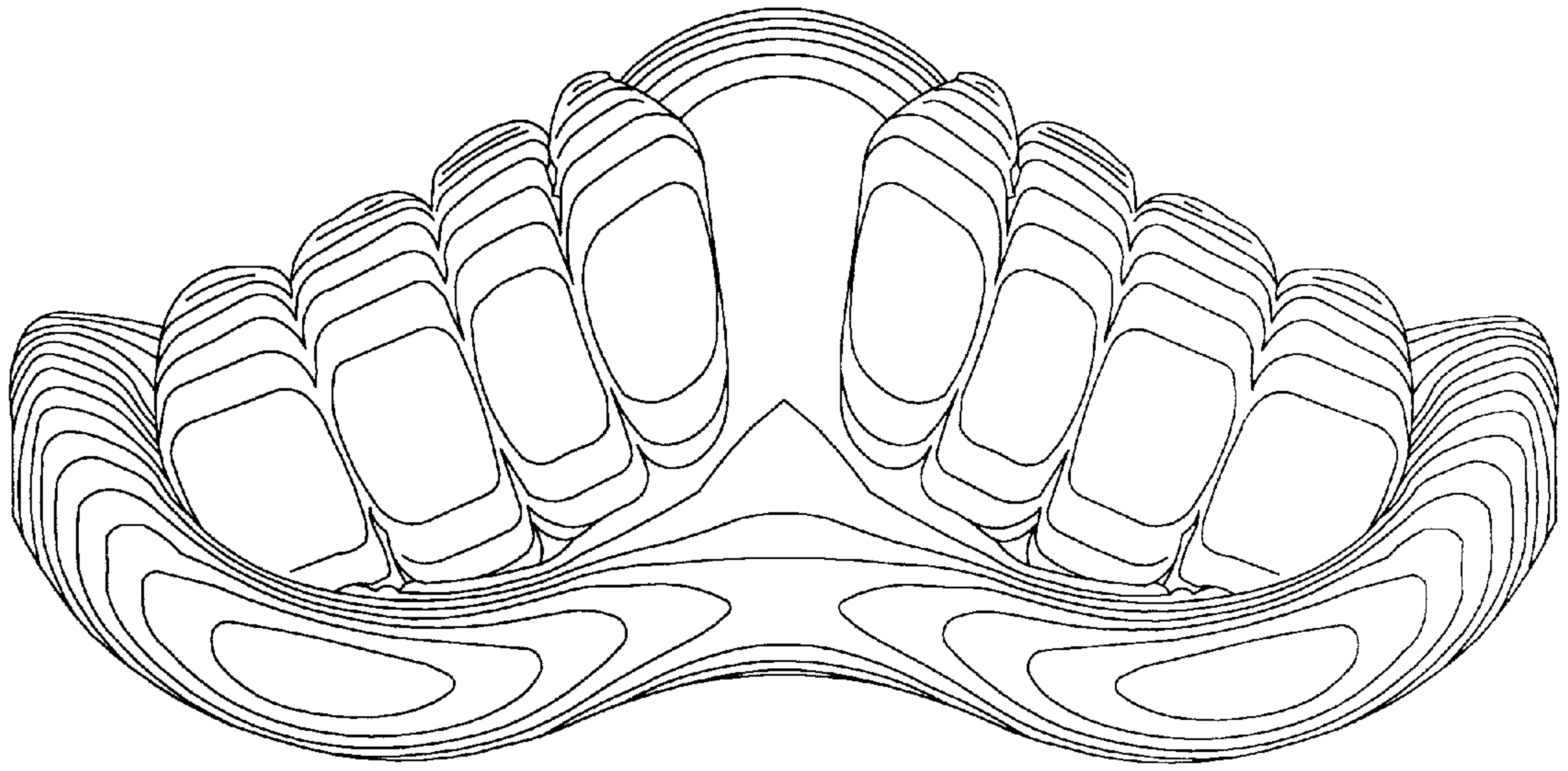


FIG. 1

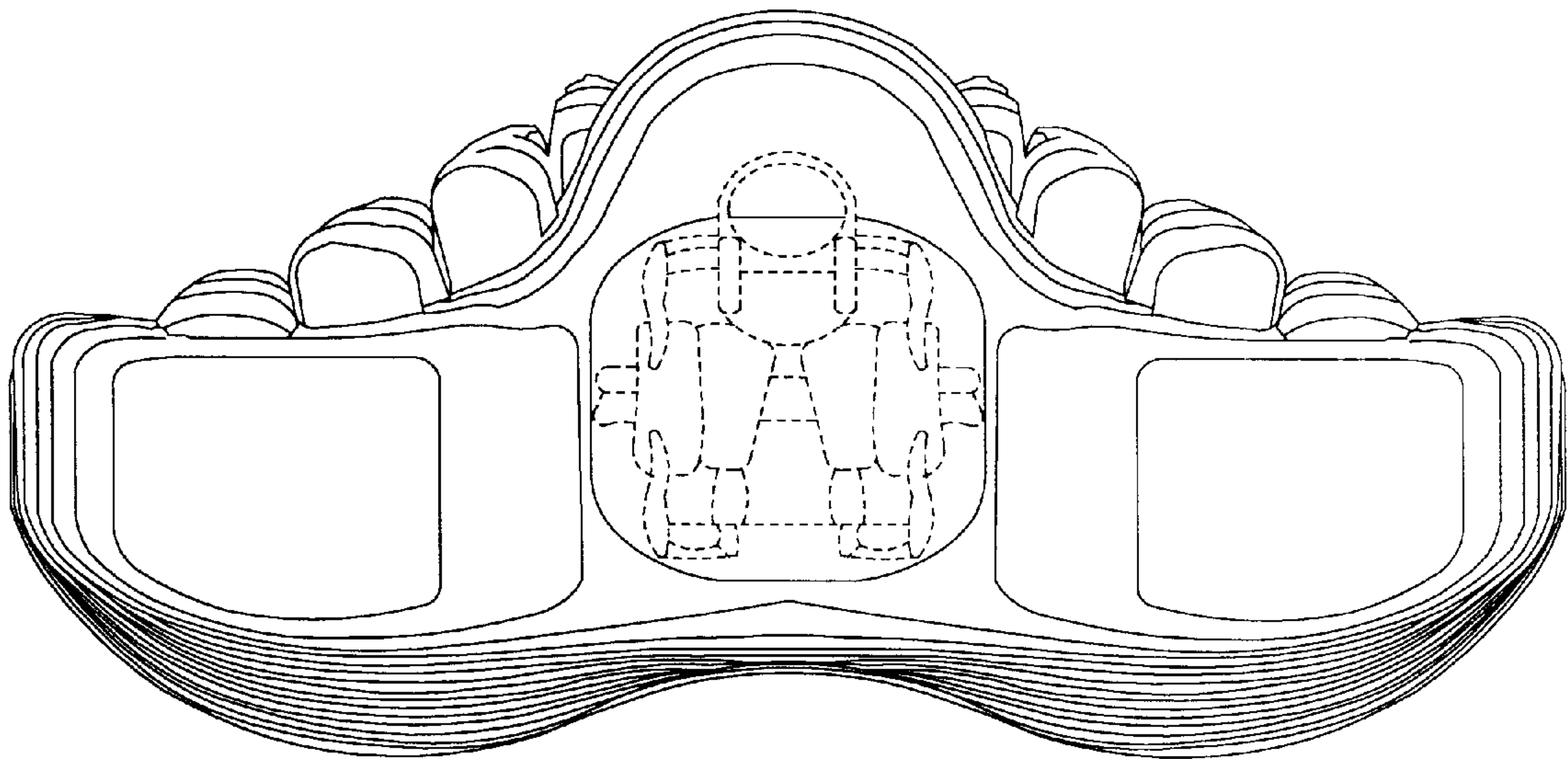


FIG. 2

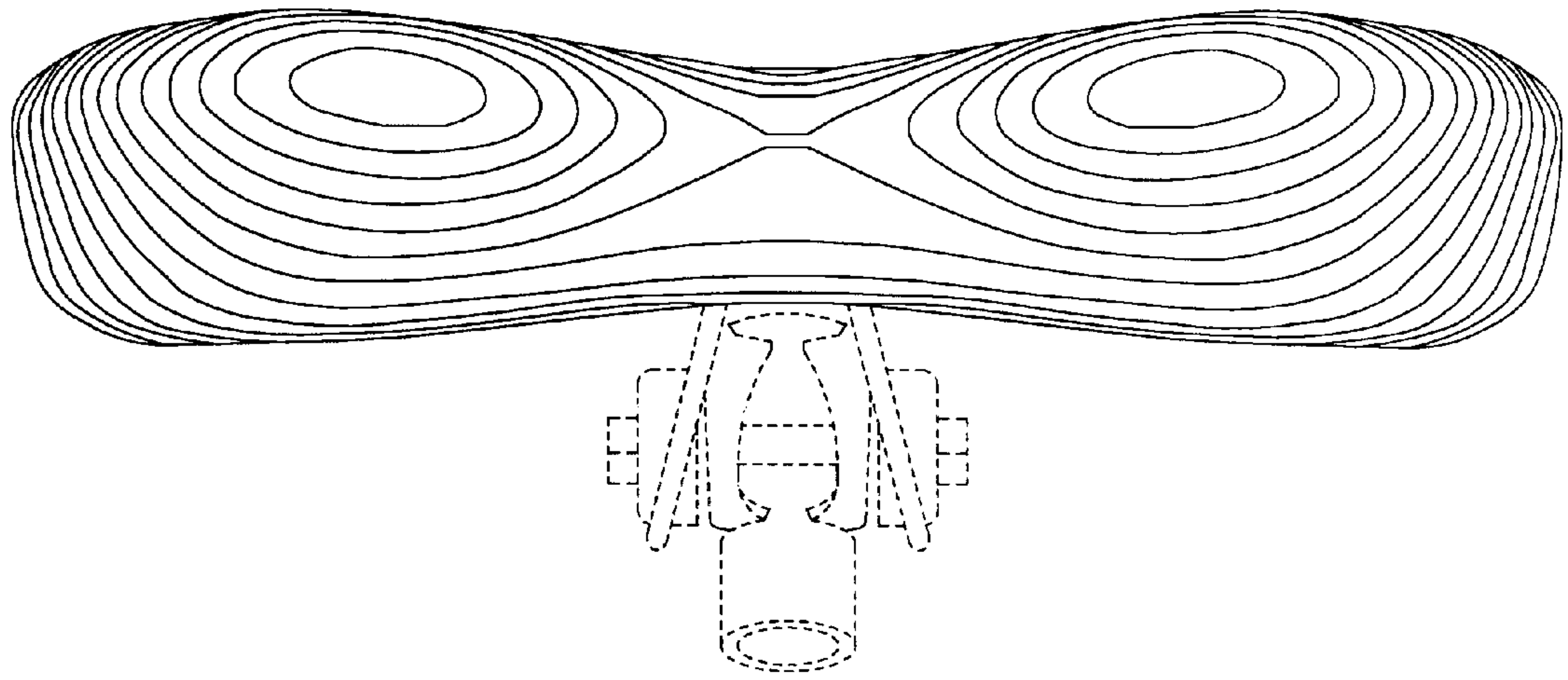


FIG. 3

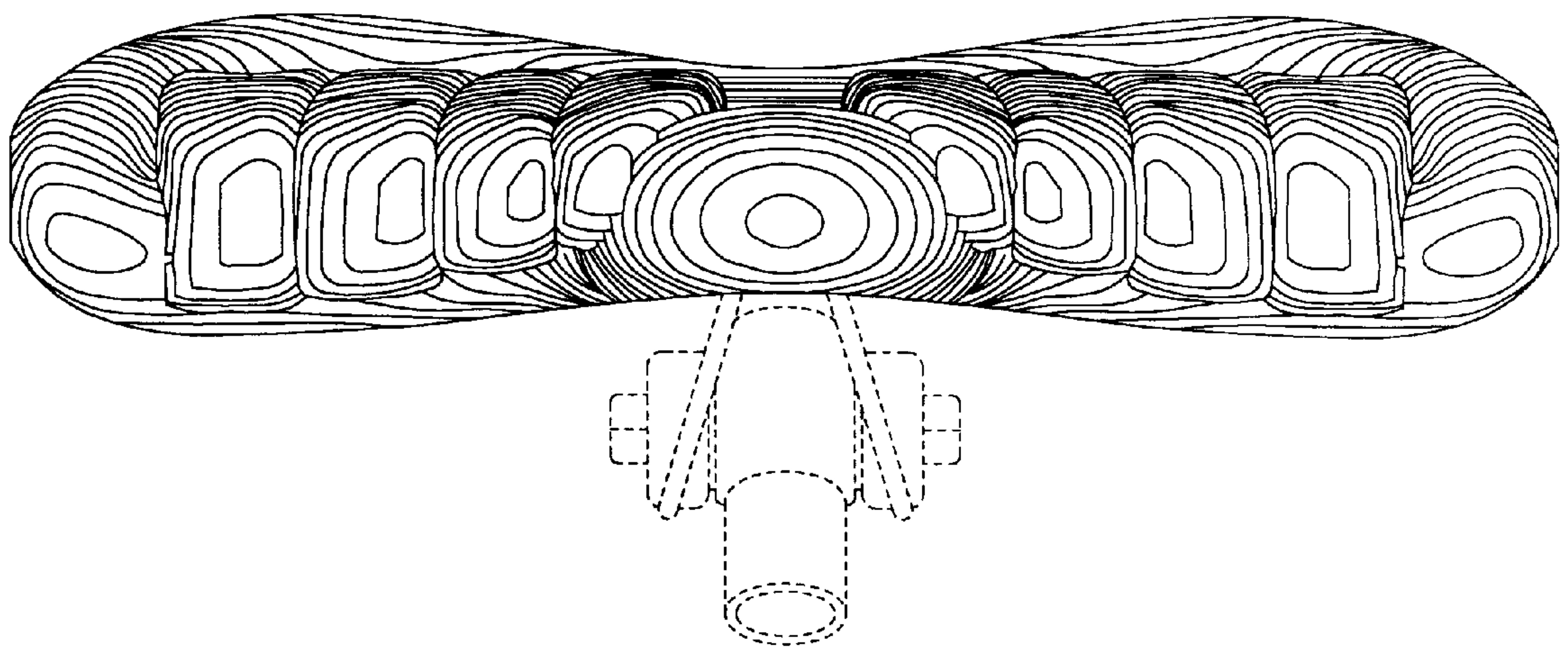


FIG. 5

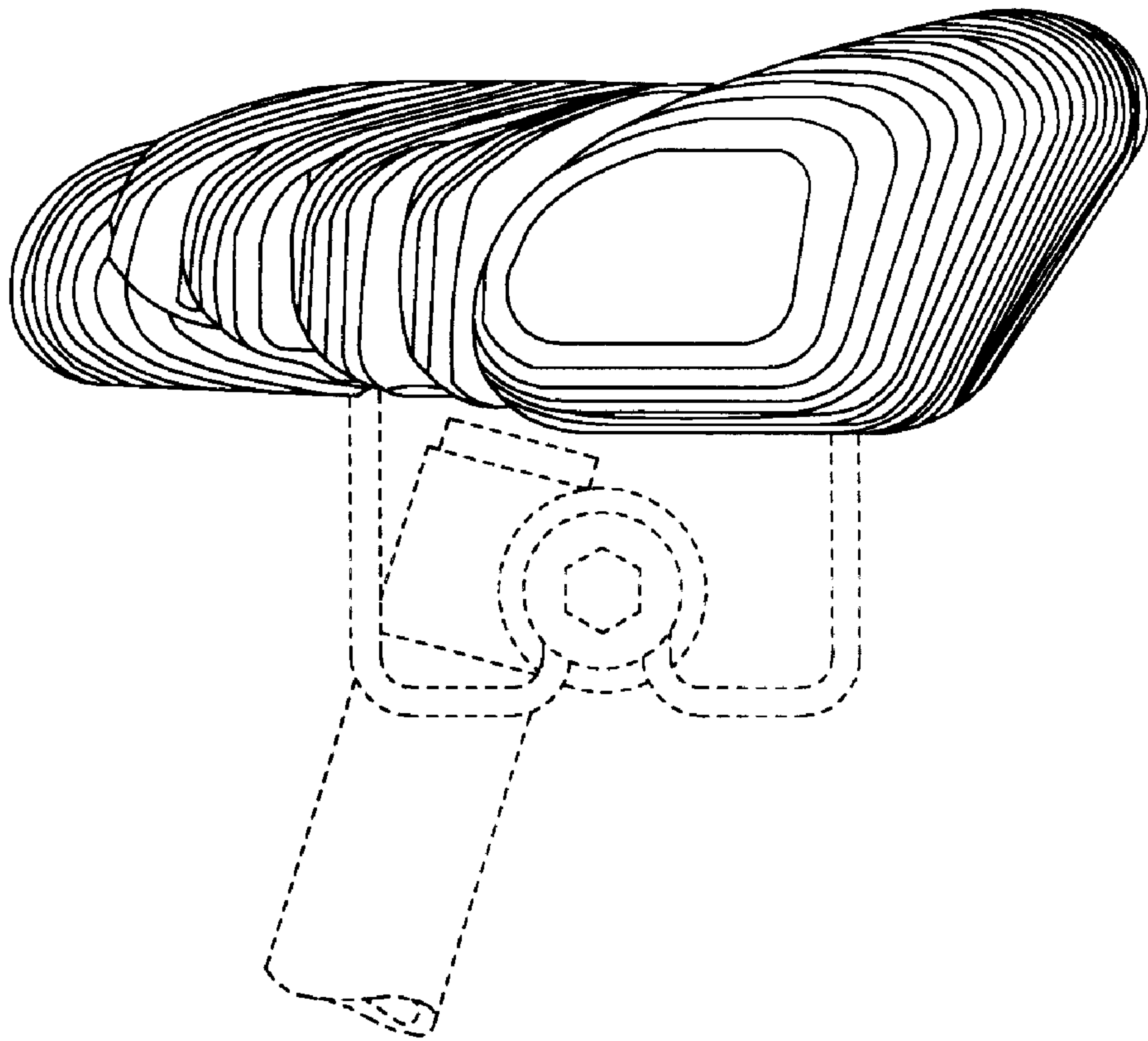


FIG. 4