



US00D467439S

(12) **United States Design Patent**  
**Noll**

(10) **Patent No.:** **US D467,439 S**

(45) **Date of Patent:** **\*\* Dec. 24, 2002**

(54) **GLIDER FRAME WITH CANOPY**

(76) Inventor: **Ronald C. Noll**, 25 Fairway Trail,  
Moreland Hills, OH (US) 44022

(\*\*) Term: **14 Years**

(21) Appl. No.: **29/155,581**

(22) Filed: **Feb. 13, 2002**

(51) **LOC (7) Cl.** ..... **06-01**

(52) **U.S. Cl.** ..... **D6/344**

(58) **Field of Search** ..... D6/334, 335, 344,  
D6/346, 347, 376, 381, 500-502; 297/273,  
277, 232, 280, 281, 282, 287, 452.2; 472/118,  
125

(56) **References Cited**

**U.S. PATENT DOCUMENTS**

539,723 A	5/1895	Caisse	
3,825,299 A	7/1974	Gaucher	
D349,819 S	* 8/1994	Noll	D6/347
5,564,987 A	* 10/1996	Ayrolles	472/118
D396,564 S	* 8/1998	Tseng	D6/347
5,803,818 A	* 9/1998	Tseng	472/118
5,842,741 A	12/1998	Onorini	
D408,639 S	* 4/1999	Noll	D6/347
5,938,283 A	8/1999	Babcock et al.	
5,957,780 A	* 9/1999	Grazioli	472/118
D439,423 S	* 3/2001	Tseng	D6/344
D449,454 S	* 10/2001	Pomeroy et al.	D6/344
D450,193 S	* 11/2001	Pomeroy et al.	D6/344
D450,194 S	11/2001	Liu	
D450,938 S	* 11/2001	Liu	D6/347
D450,939 S	* 11/2001	Liu	D6/347
D455,908 S	* 4/2002	Liu	D6/347

**OTHER PUBLICATIONS**

Exhibit A from Declaration of Ronald C. Noll, Date Mar. 22,  
2002. Part of Double Glider.

\* cited by examiner

*Primary Examiner*—Doris V. Coles

*Assistant Examiner*—Mimosa De

(74) *Attorney, Agent, or Firm*—Pearne & Gordon, LLP

(57) **CLAIM**

The ornamental design for a glider frame with canopy, as shown and described.

**DESCRIPTION**

FIG. 1 is a perspective view of the first embodiment of a glider frame with canopy showing my new design;

FIG. 2 is a top plan view of the first embodiment thereof;

FIG. 3 is a right side elevation view of the first embodiment thereof; the left side being the same;

FIG. 4 is a front elevation view of the first embodiment thereof;

FIG. 5 is a rear elevation view of the first embodiment thereof;

FIG. 6 is a bottom plan view of the first embodiment thereof;

FIG. 7 is a perspective view of the second embodiment of a glider frame with canopy showing my new design;

FIG. 8 is is a top plan view of the second embodiment thereof;

FIG. 9 is a right side elevation view of the second embodiment thereof; the left side being the same;

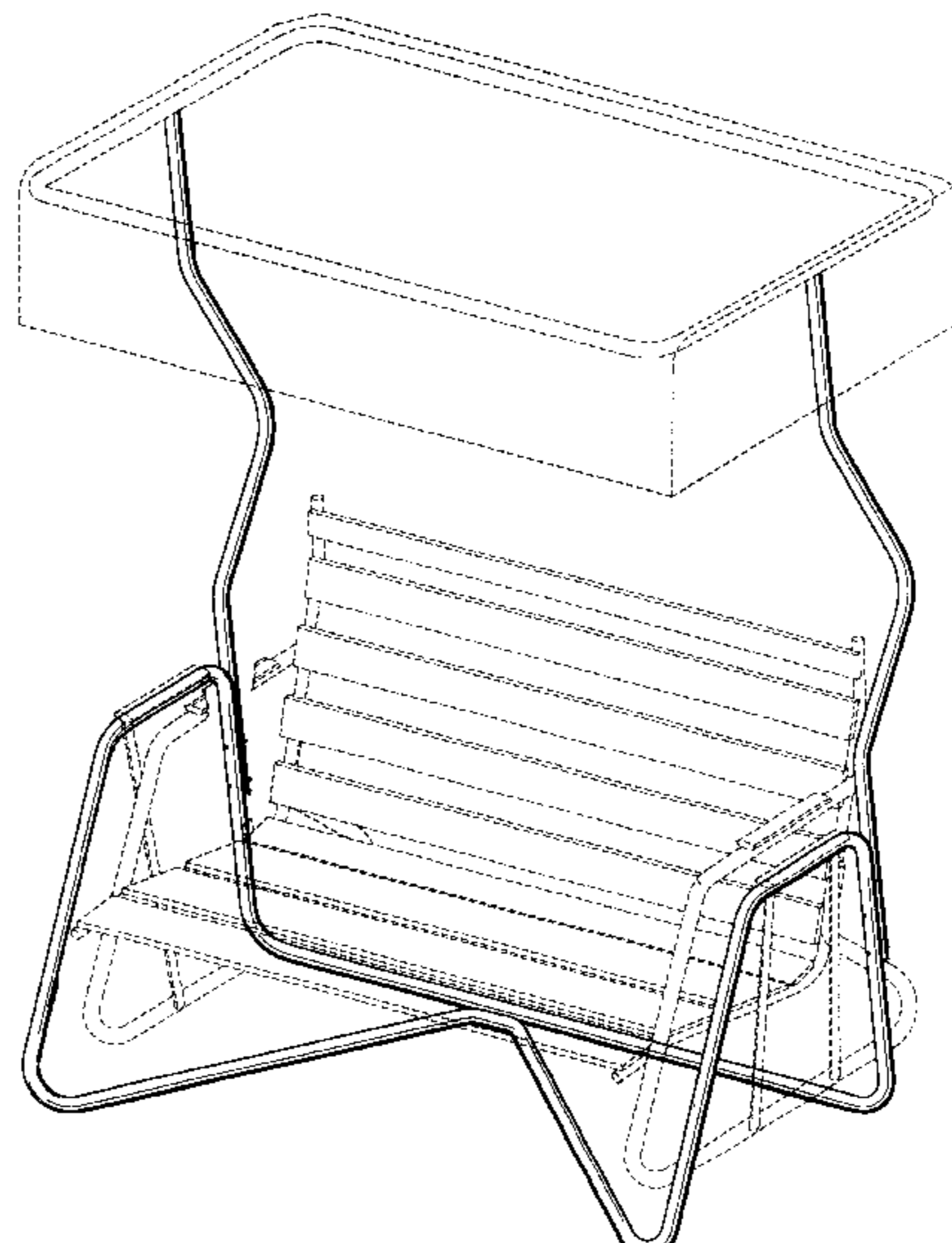
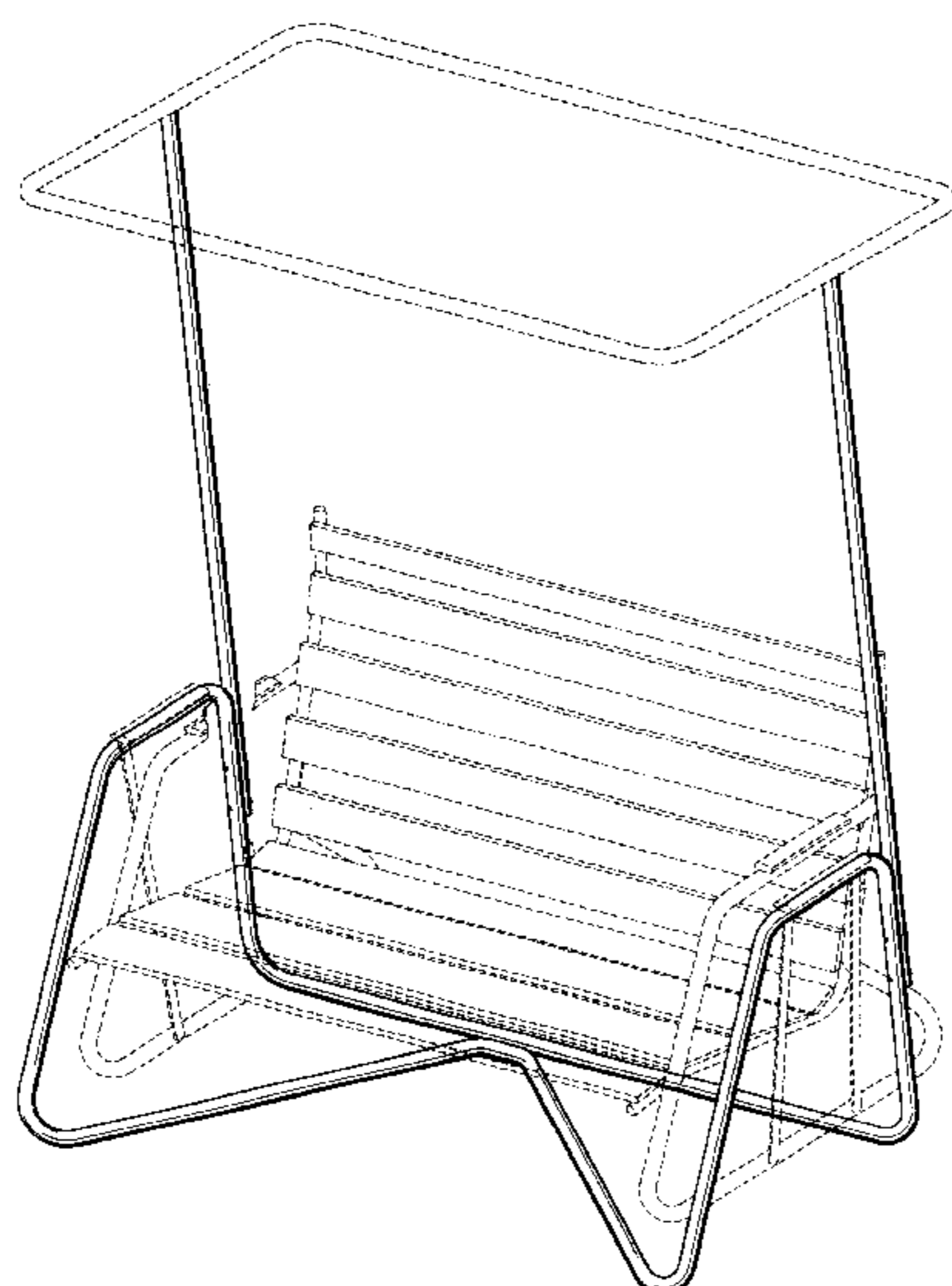
FIG. 10 is a front elevation view of the second embodiment thereof;

FIG. 11 is a rear elevation view of the second embodiment thereof; and,

FIG. 12 is a bottom plan view of the second embodiment thereof.

The broken line showing of a glider and a canopy is for illustrative purposes only and forms no part of the claimed design

**1 Claim, 8 Drawing Sheets**



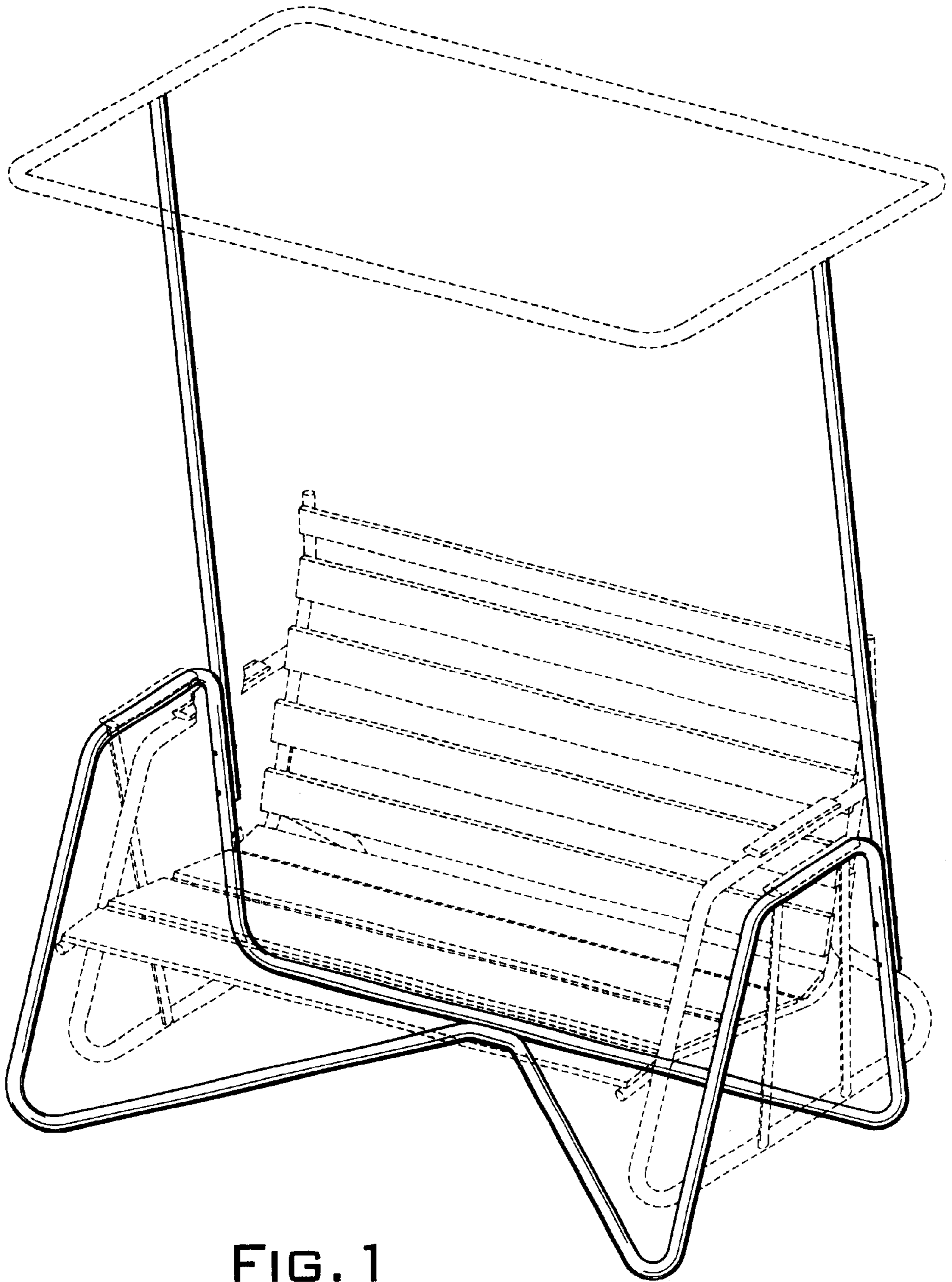


FIG. 1

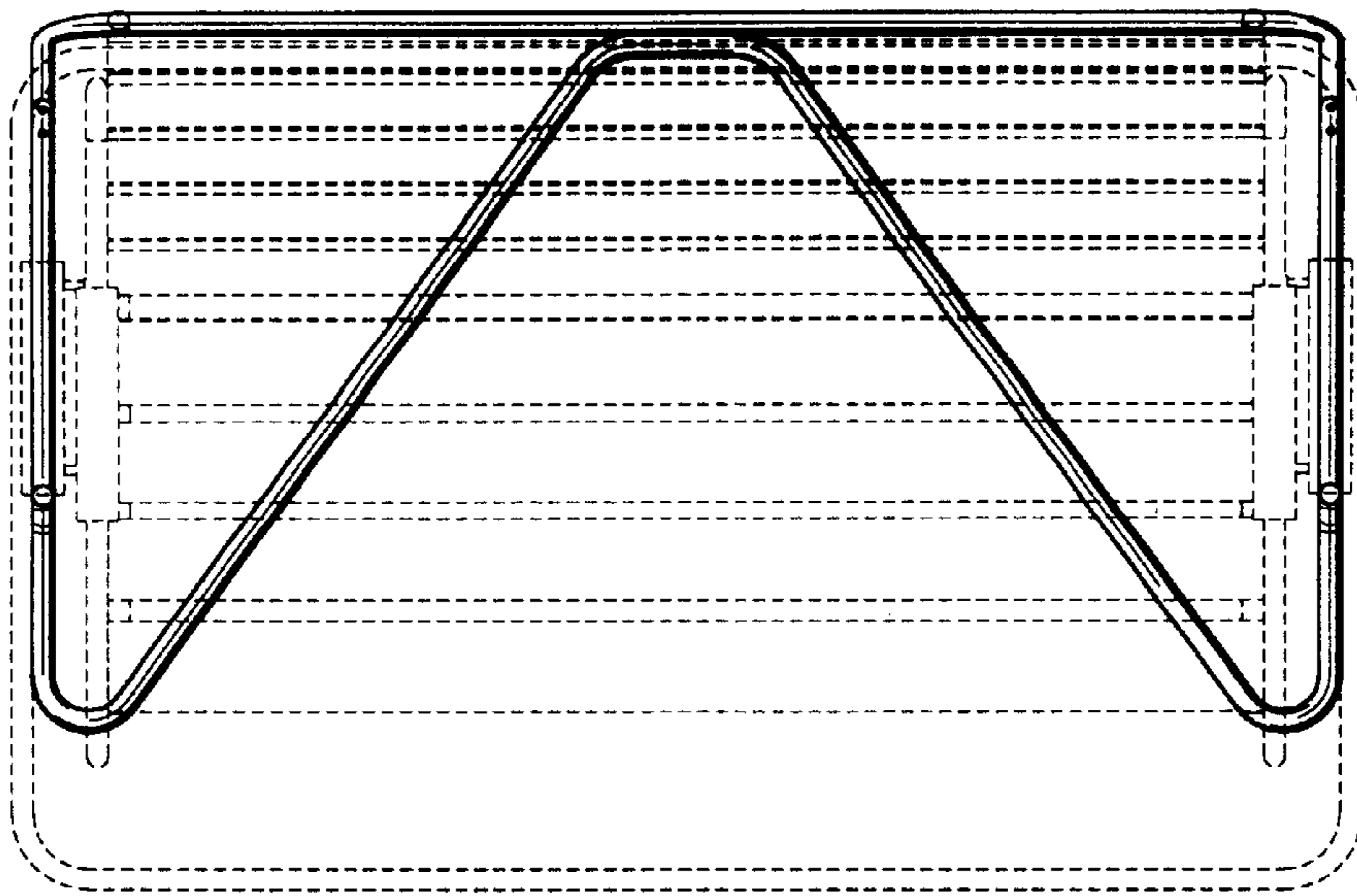


FIG. 2

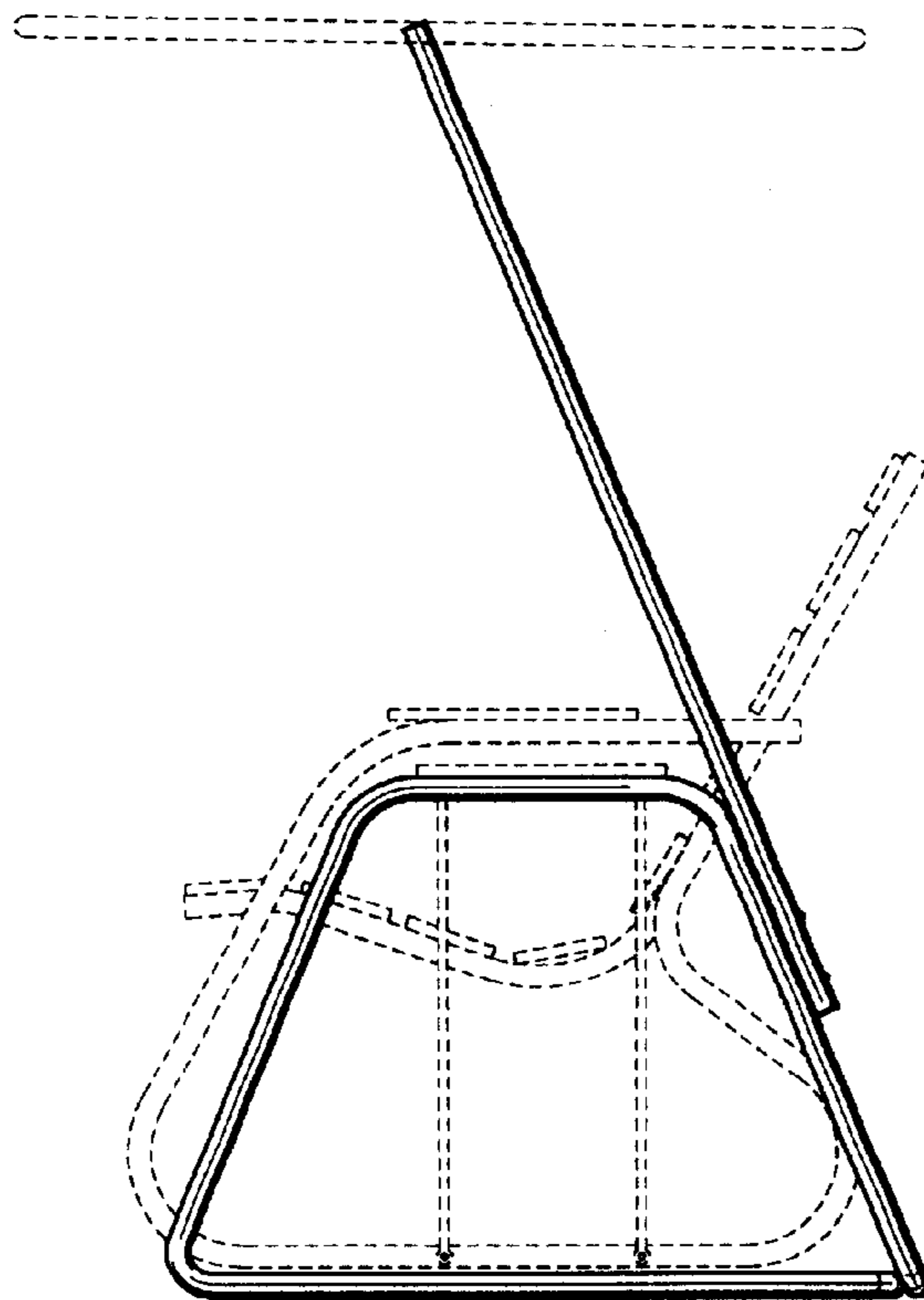


FIG. 3

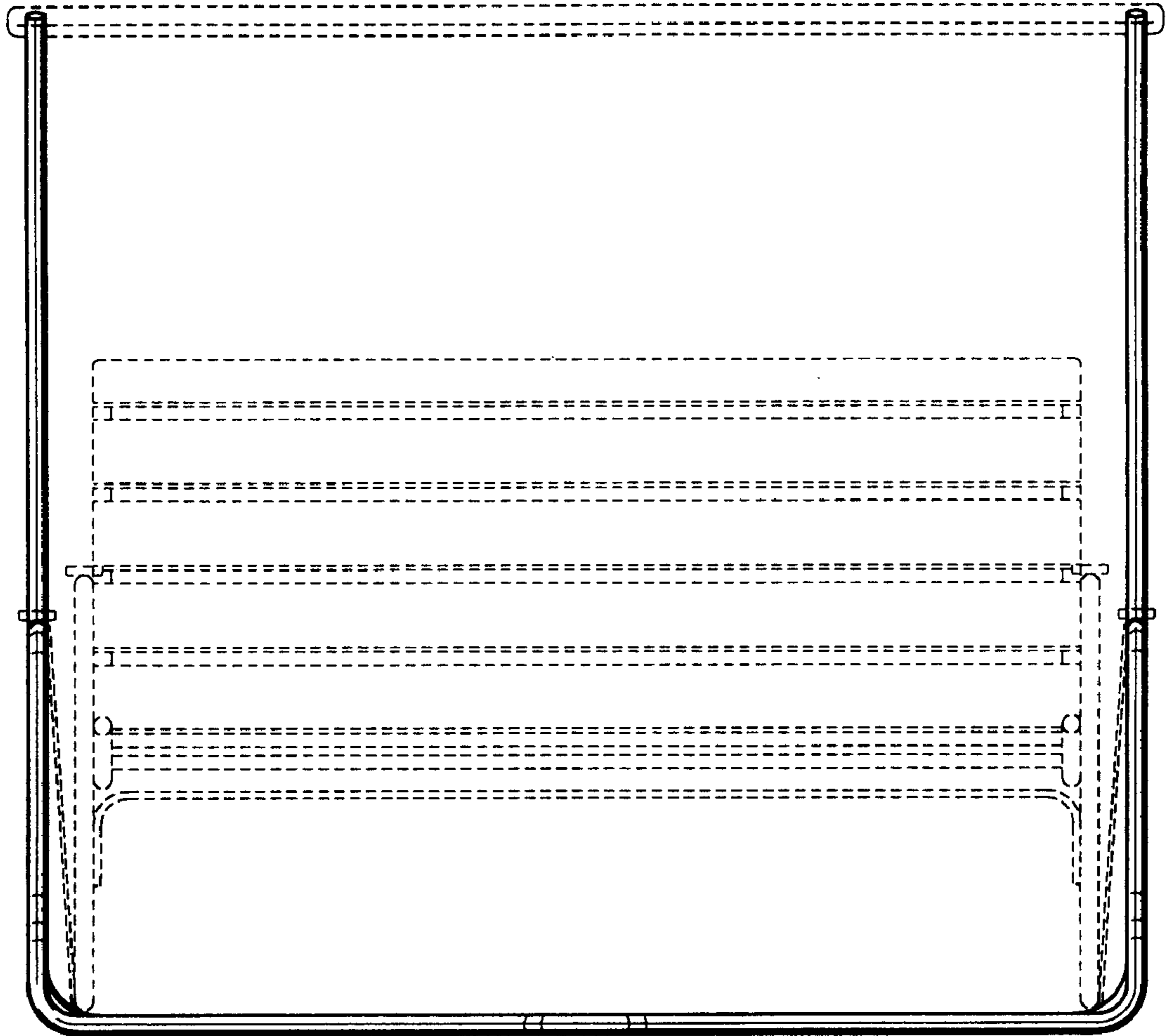


FIG. 4

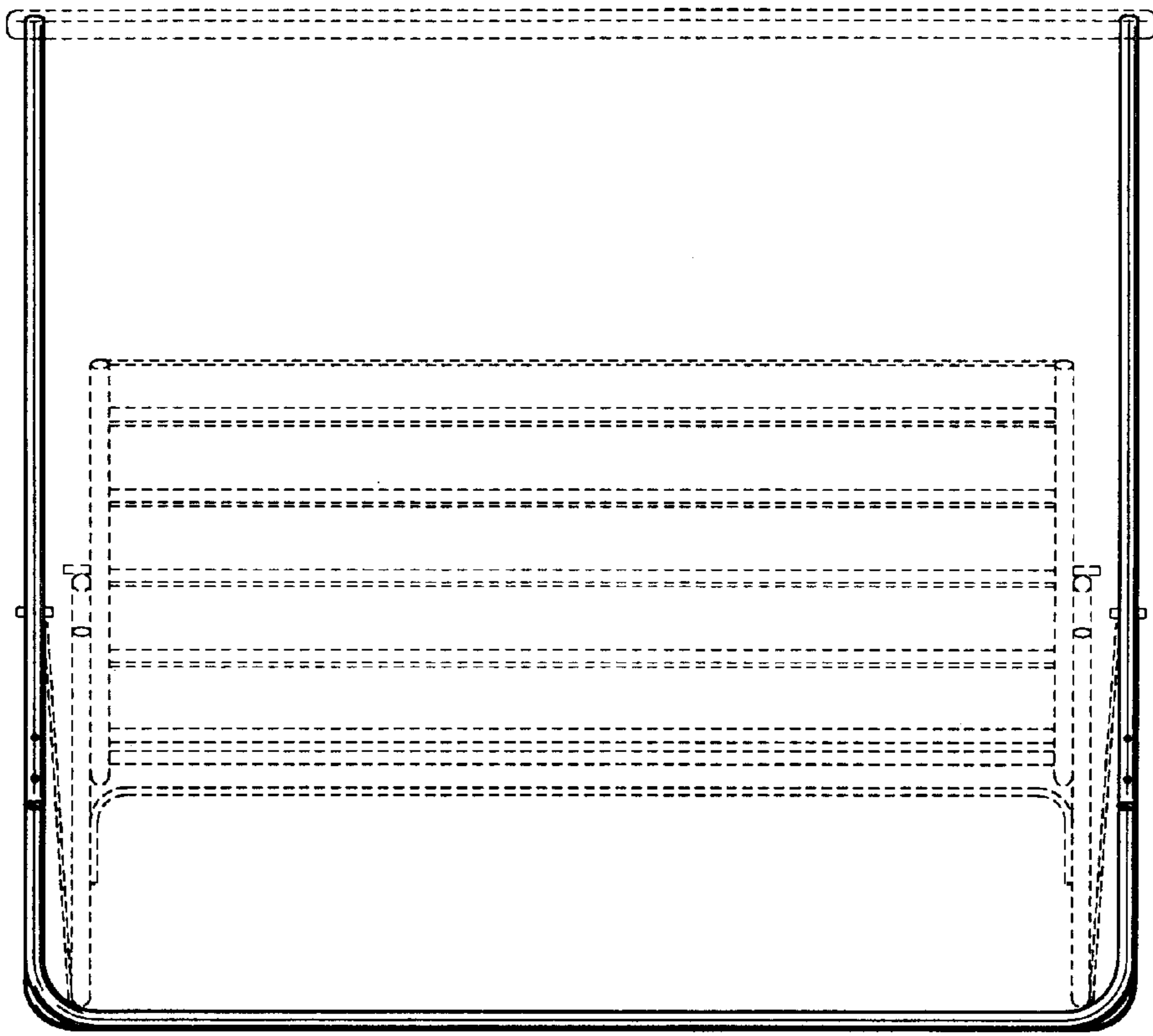


FIG. 5

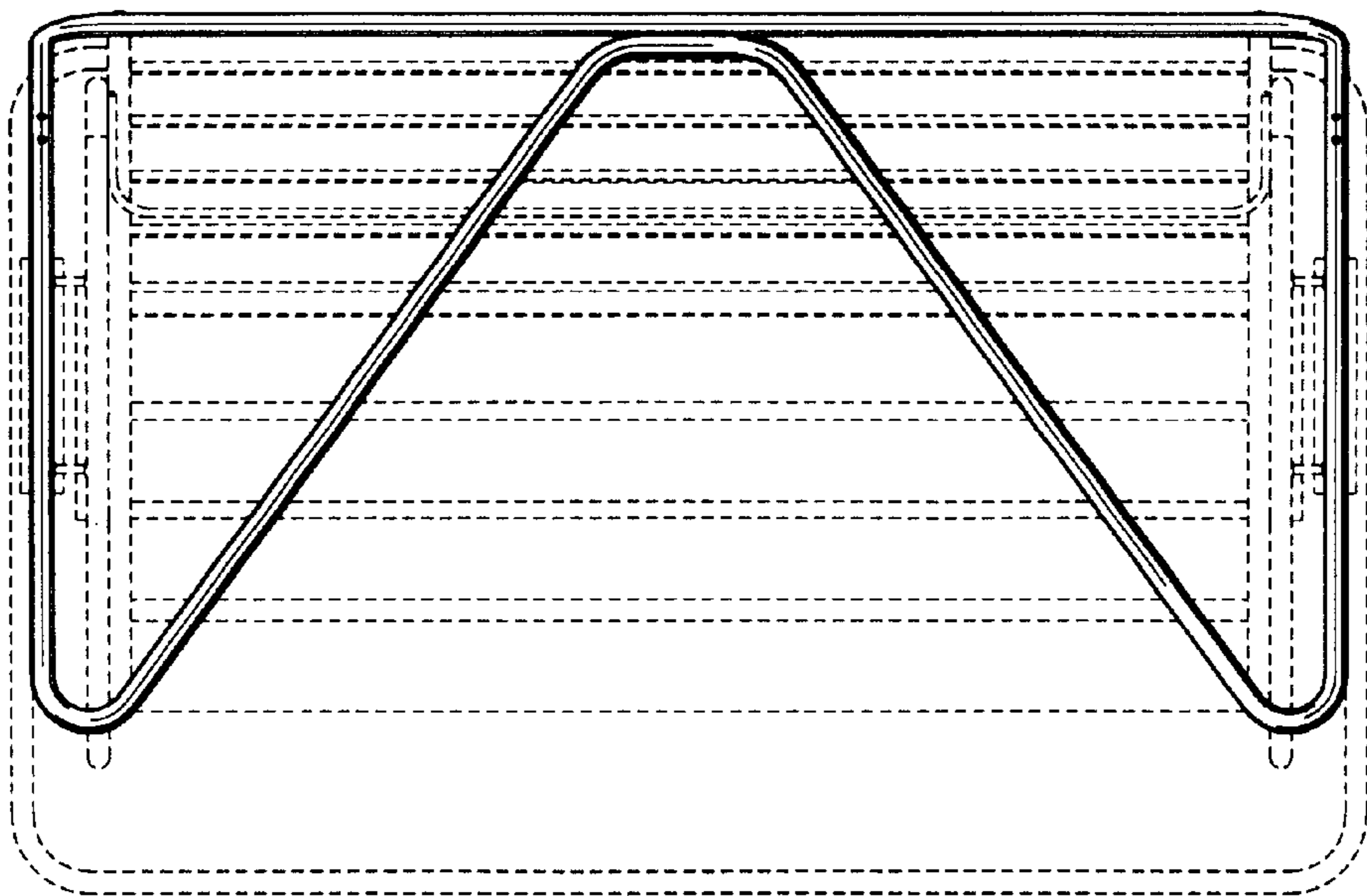


FIG. 6

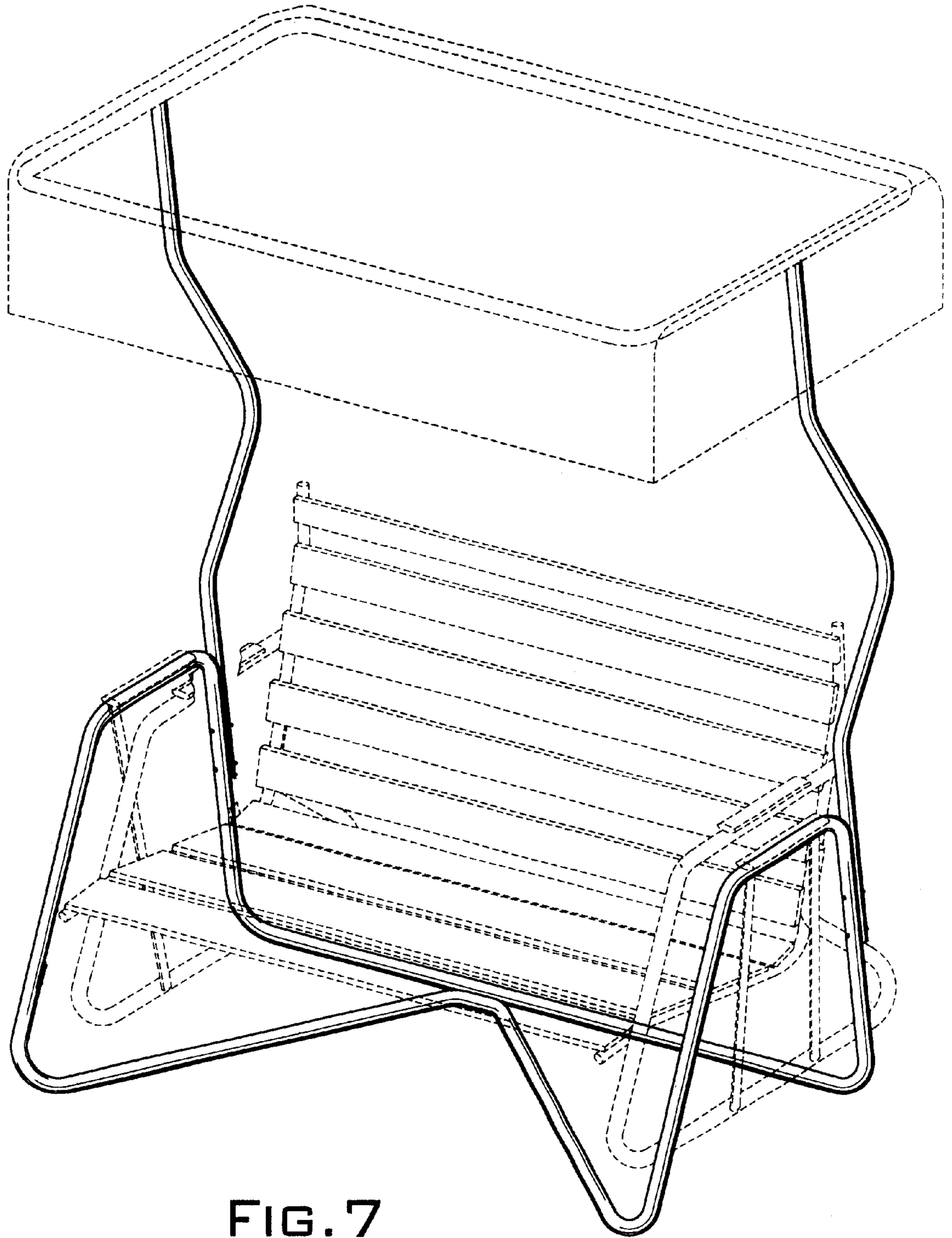


FIG. 7

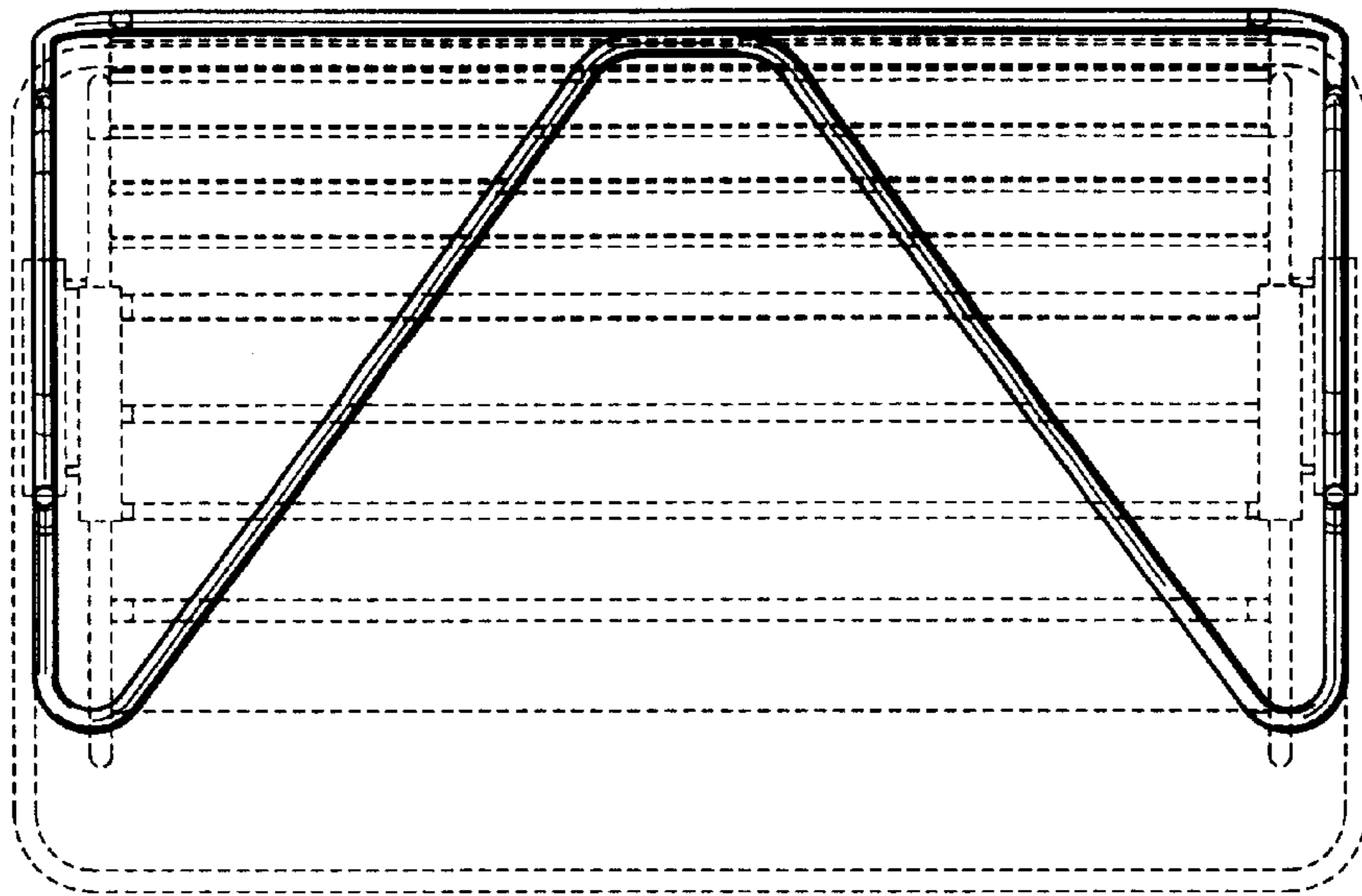


FIG. 8

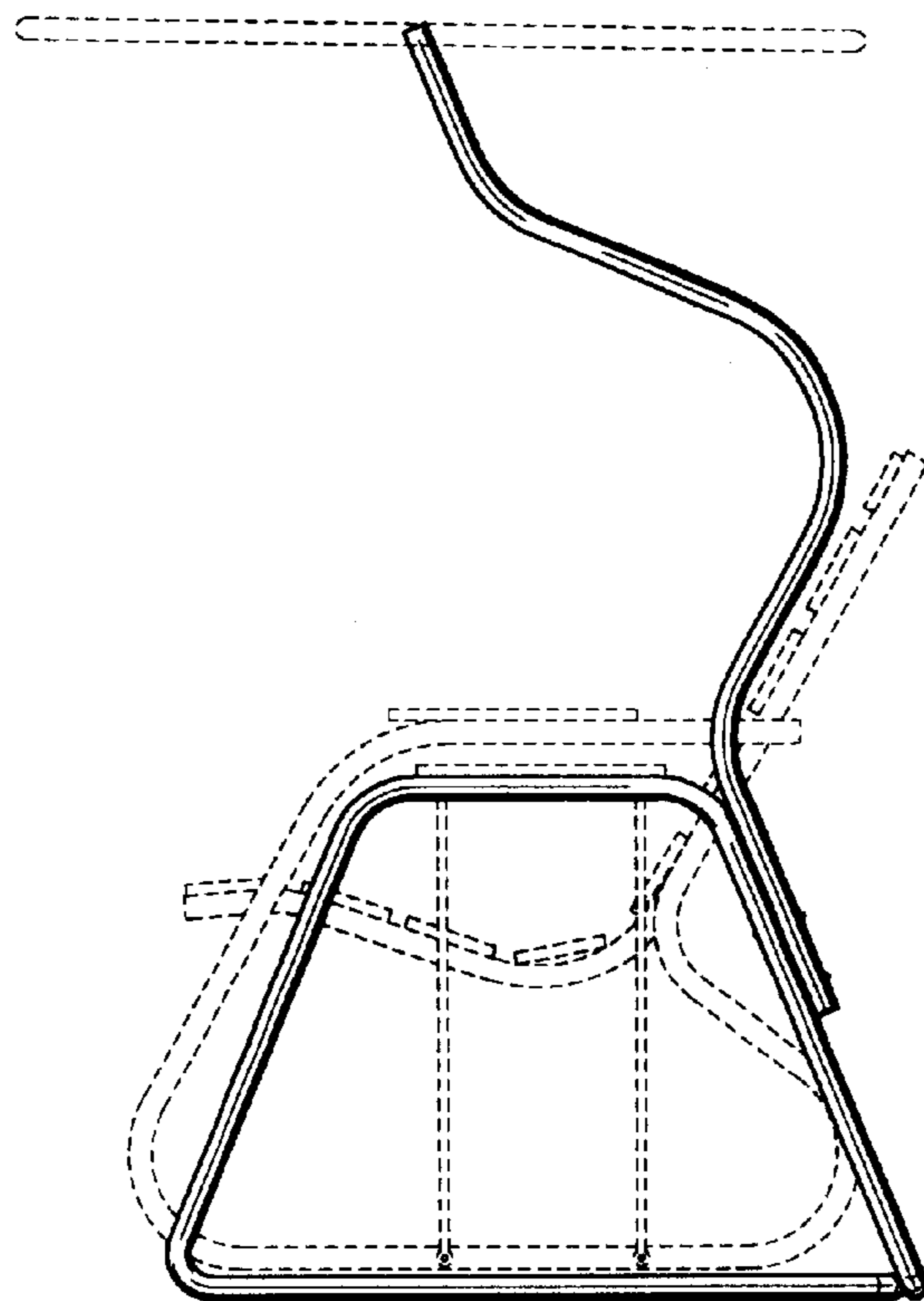


FIG. 9

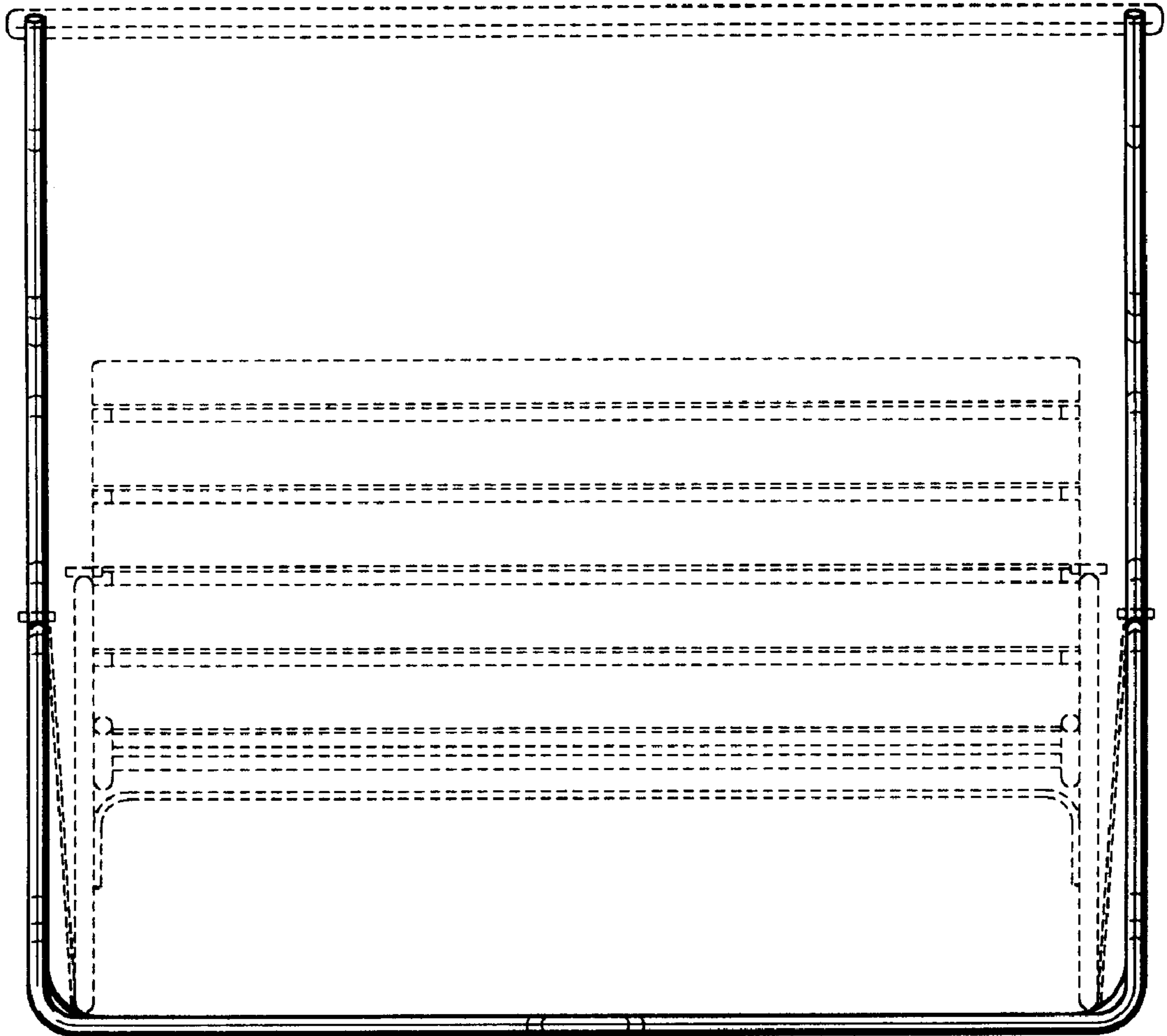


FIG. 10



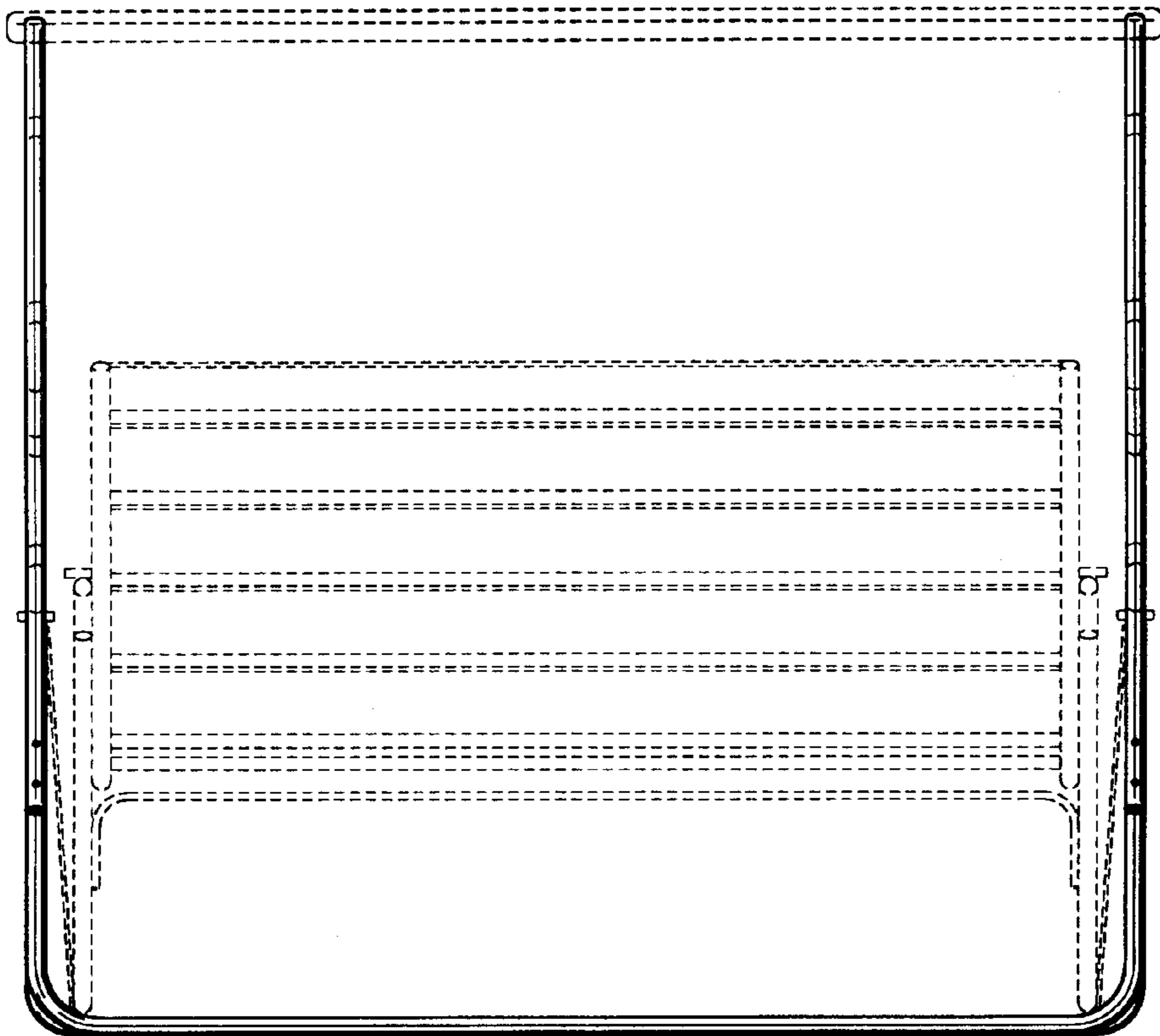


FIG. 1 1

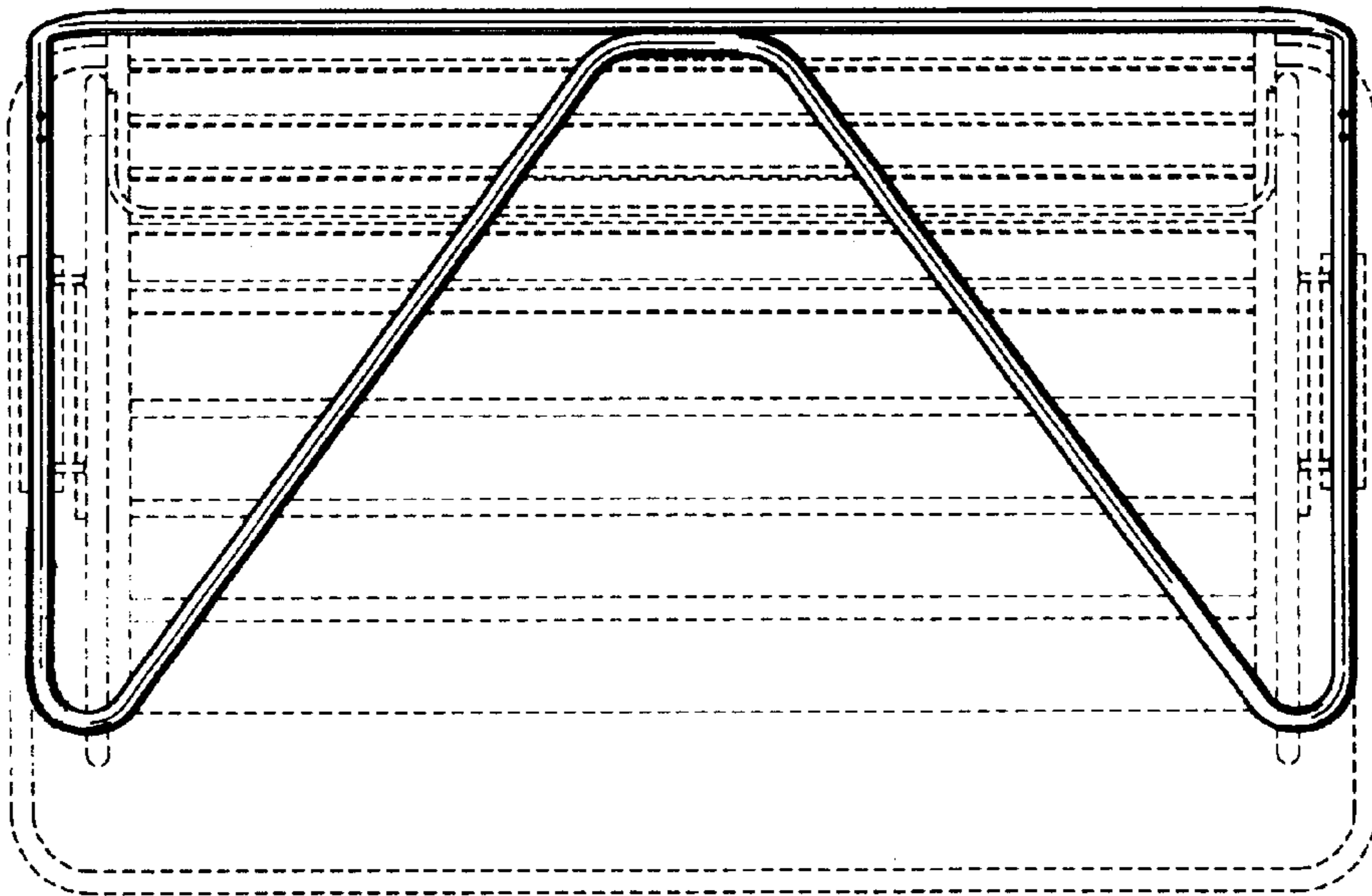


FIG. 1 2