



US00D467438S

(12) **United States Design Patent**
Ott

(10) **Patent No.:** **US D467,438 S**

(45) **Date of Patent:** **** Dec. 24, 2002**

(54) **FRAME FOR A COMBINED TABLE AND BENCHES**

(75) **Inventor:** **David P. Ott**, Mosinee, WI (US)

(73) **Assignee:** **Wausau Tile, Inc.**, Wausau, WI (US)

(**) **Term:** **14 Years**

(21) **Appl. No.:** **29/158,914**

(22) **Filed:** **Apr. 12, 2002**

(51) **LOC (7) Cl.** **06-01**

(52) **U.S. Cl.** **D6/337**

(58) **Field of Search** D6/334, 335, 336,
D6/337, 369, 370, 376, 381, 494, 495,
498, 499, 500-502; 248/188, 188.1; 297/158.1,
158.2, 158.3, 158.4, 158.5, 159.1, 157.1

(56) **References Cited**

U.S. PATENT DOCUMENTS

D27,598 S	8/1897	Aufuldish	
D190,744 S	6/1961	Guice	
D194,038 S	11/1962	Preston	
D196,655 S	* 10/1963	Berry	D6/337
3,847,424 A	11/1974	Nielsen	
D242,306 S	* 11/1976	Campbell	D6/337
4,023,859 A	5/1977	Hagenson	
D277,442 S	2/1985	Crowell	
D287,797 S	1/1987	Evans	
D327,178 S	* 6/1992	Ryaa	D6/337
5,452,936 A	9/1995	Koehring	
5,782,526 A	* 7/1998	Ott	297/157.1
D417,803 S	12/1999	Shilling et al.	
D417,965 S	12/1999	Strong et al.	
D422,420 S	* 4/2000	Shilling et al.	D6/337
D432,797 S	10/2000	Schilling et al.	

OTHER PUBLICATIONS

Ken Coat Incorporated, Recreation Catalog, dated Dec., 1995 Cover and two attached pages.

Fusion Coatings, Inc., Superior Line, Indoor/Outdoor Furniture Catalog, 1996 Cover, pp. 2, 3, 4, 5 and 16.

Diversified Metal Fabricators, Vinyl Coated Steel Recreational Furniture Catalog, 1998 Cover, pp. 9 and 31.

Wausau Tile Catalog, Feb. 2001 Front cover, rear cover, pp. 17 and 18.

* cited by examiner

Primary Examiner—Doris V. Coles

Assistant Examiner—Mimosa De

(74) *Attorney, Agent, or Firm*—Wood, Phillips, Katz, Clark & Mortimer

(57) **CLAIM**

The ornamental design for a frame for a combined table and benches, as shown and described.

DESCRIPTION

FIG. 1 is a bottom perspective view of a frame for a combined table and benches showing my new design;

FIG. 2 is a top view thereof;

FIG. 3 is a side elevation view thereof looking from the right of FIG. 2;

FIG. 4 is a bottom view thereof; and,

FIG. 5 is a side elevation view thereof displaced 45° from FIG. 3.

Side elevation views displaced in 90° increments from FIGS. 3 and 5 are identical.

Perspective views displaced in 90° increments from FIG. 1 are identical.

The table top and benches shown in dashed lines form no part of the design.

1 Claim, 3 Drawing Sheets

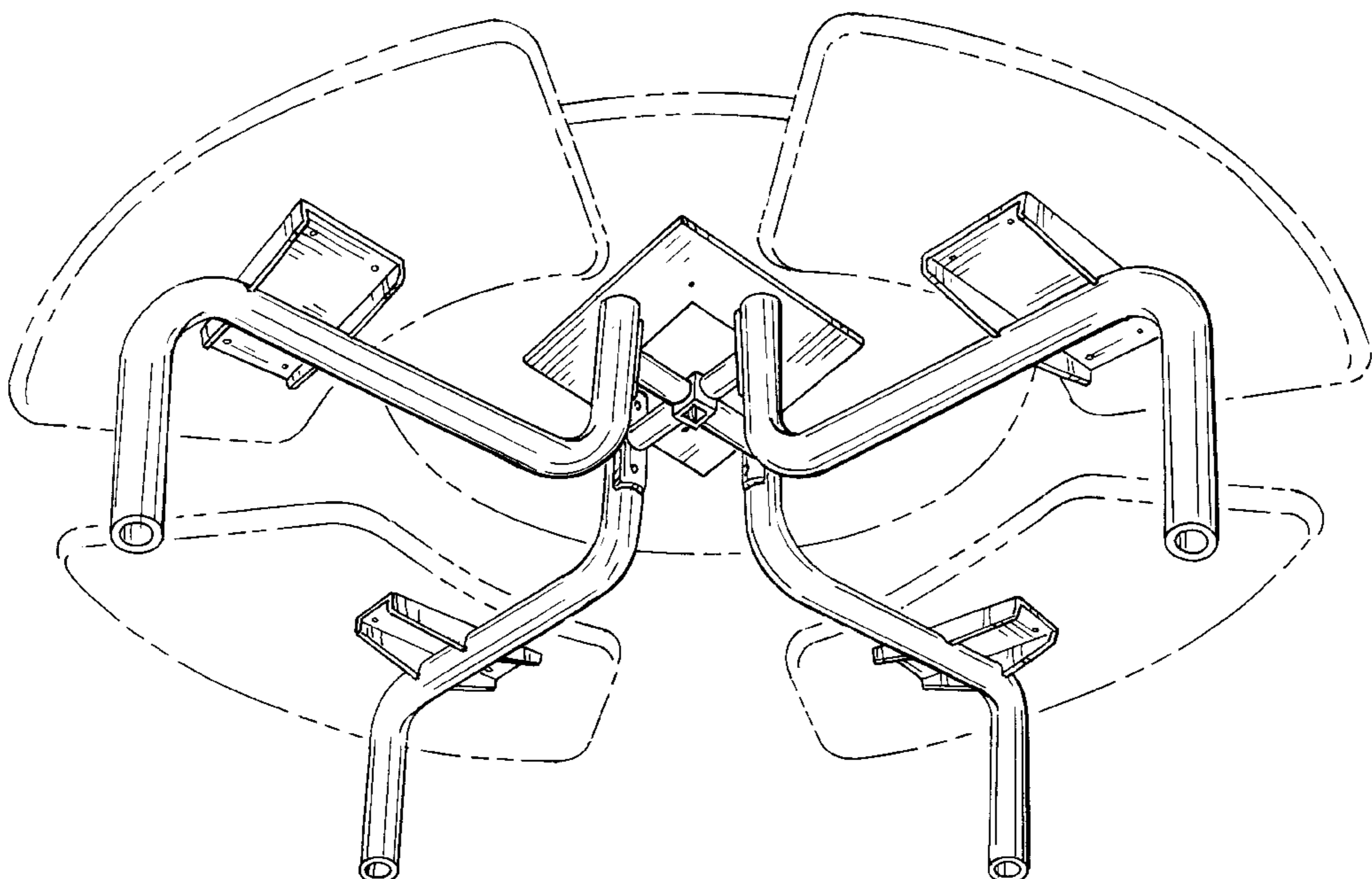


FIG. 1

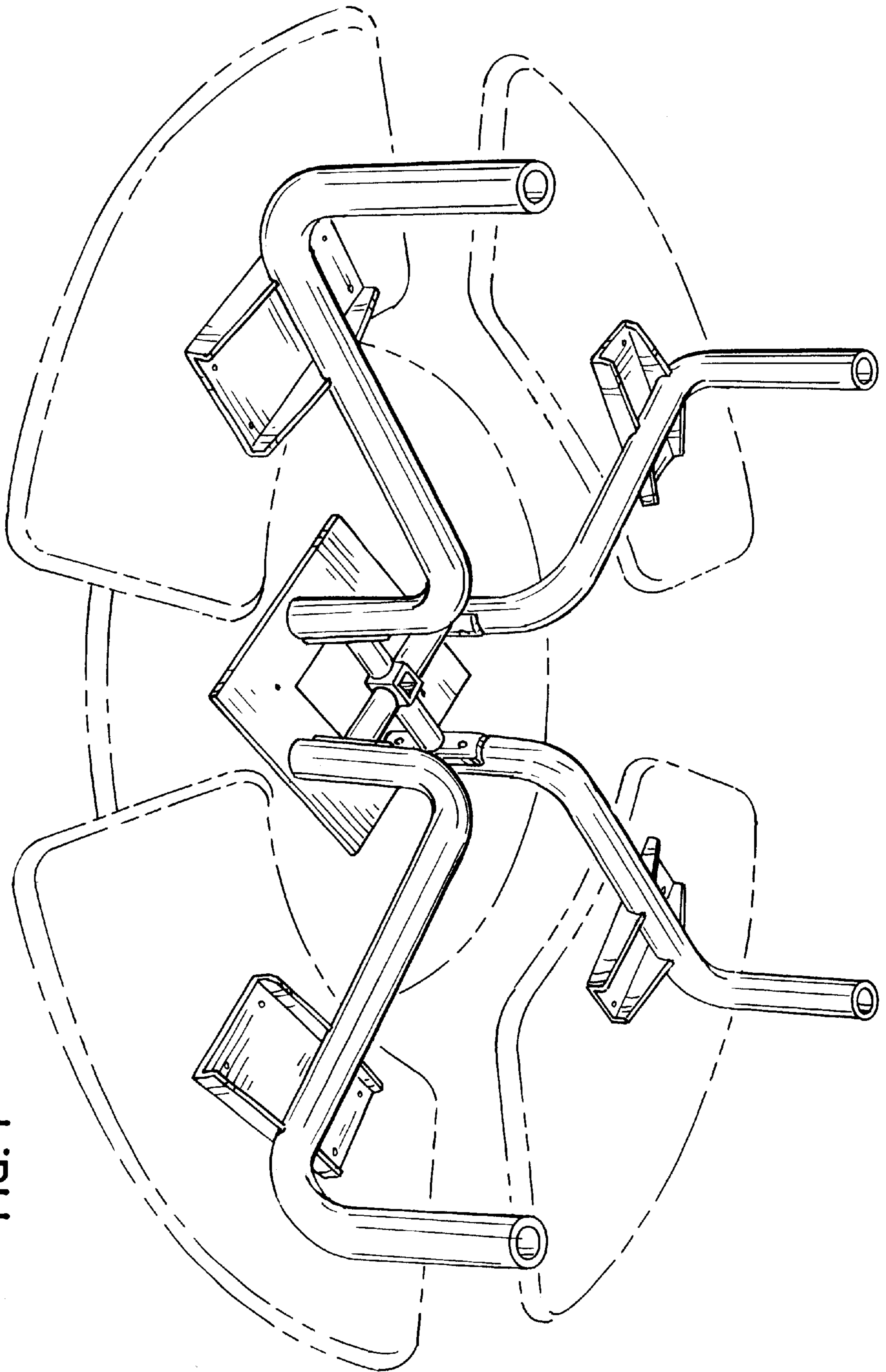


FIG. 2

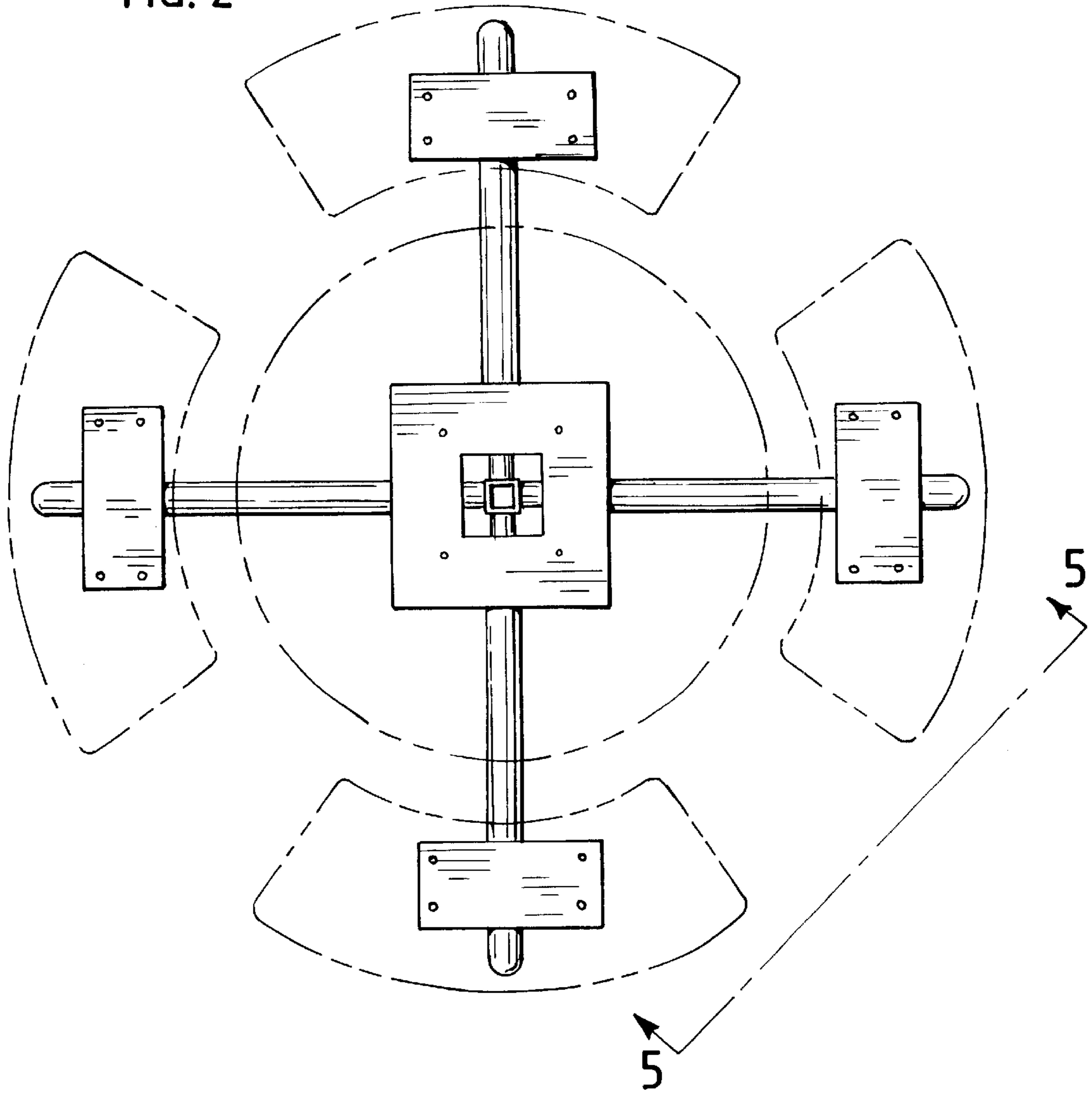


FIG. 3

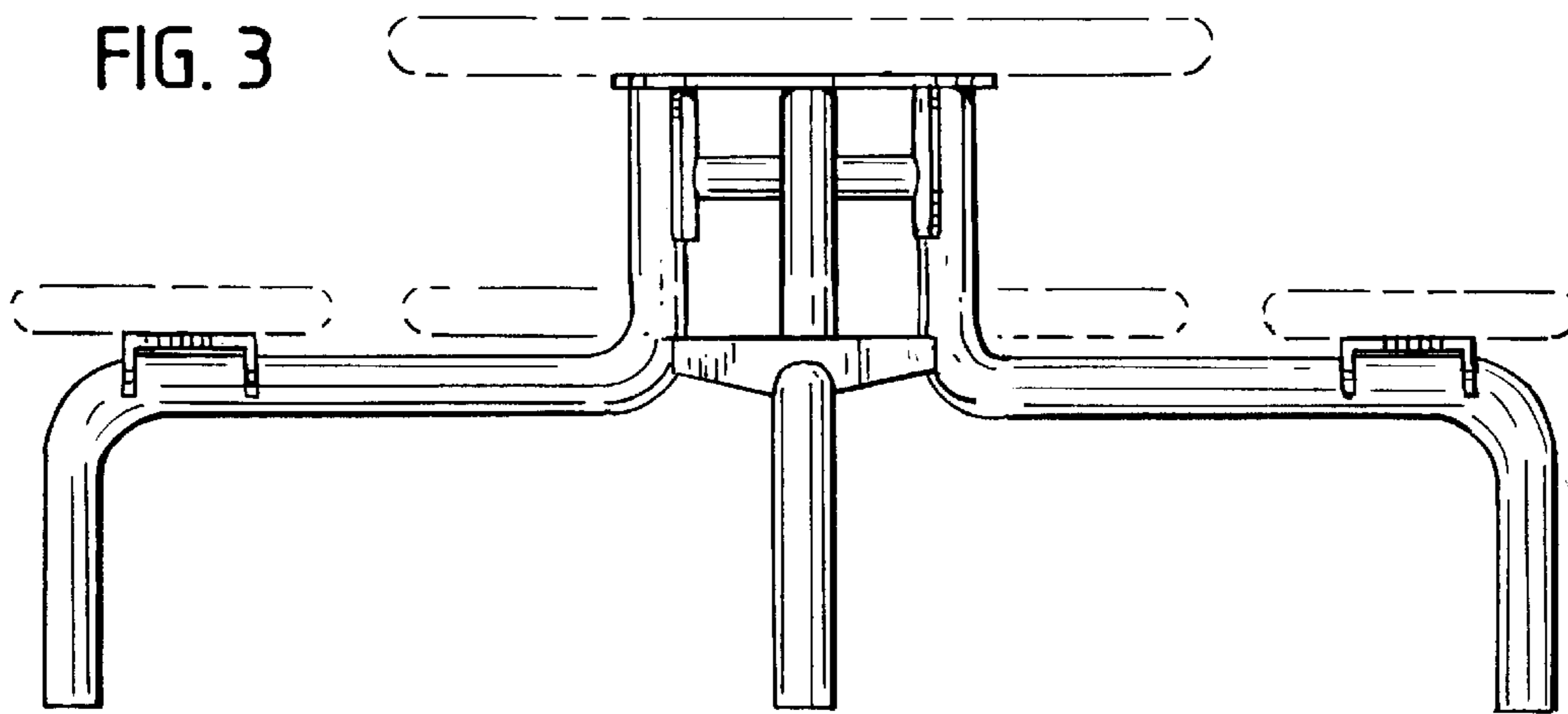


FIG. 4

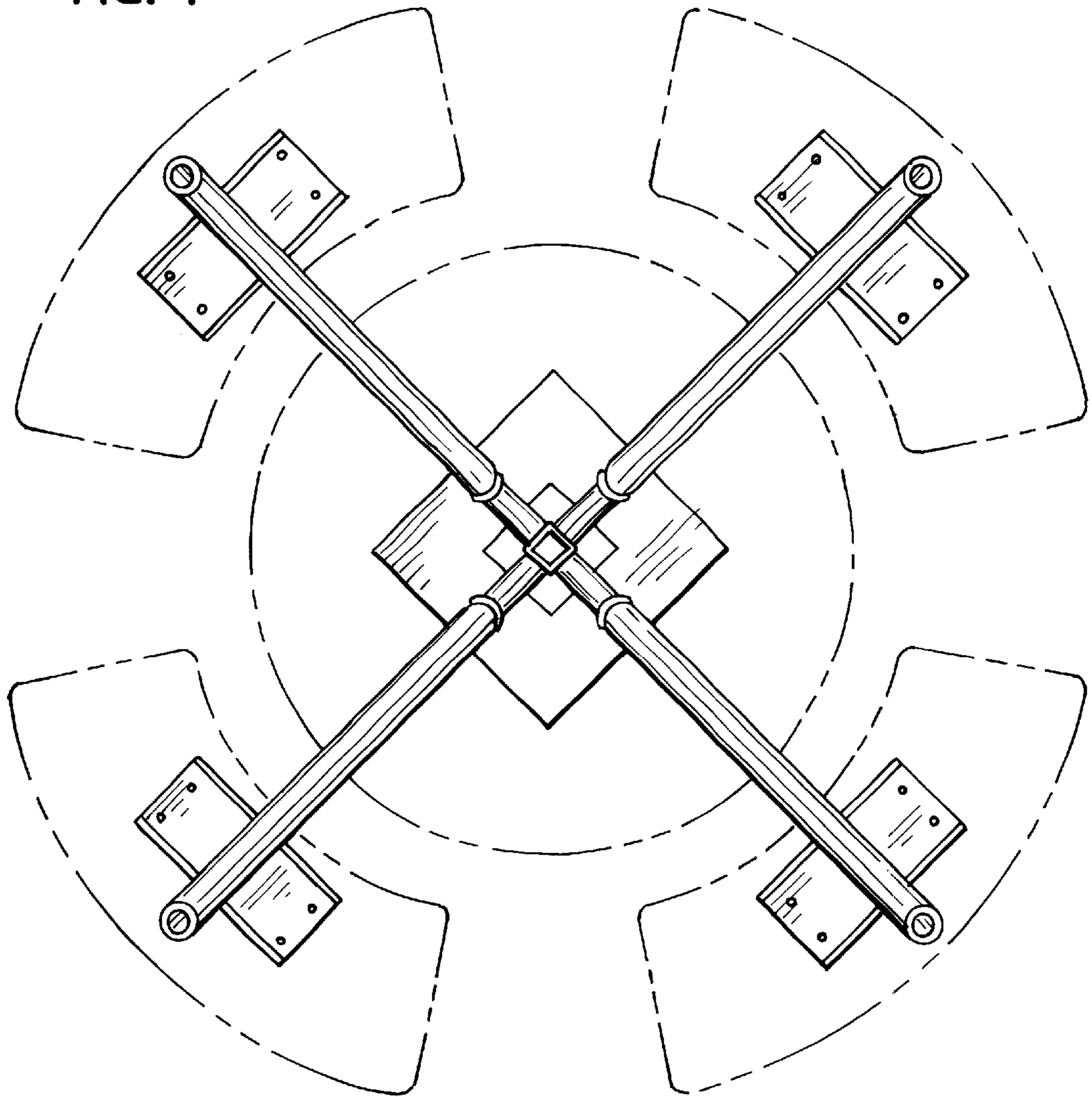


FIG. 5

