



US00D467437S

(12) **United States Design Patent**  
**Ott**

(10) **Patent No.:** **US D467,437 S**

(45) **Date of Patent:** **\*\* Dec. 24, 2002**

(54) **FRAME FOR A COMBINED TABLE AND BENCHES**

(75) **Inventor:** **David P. Ott**, Mosinee, WI (US)

(73) **Assignee:** **Wausau Tile, Inc.**, Wausau, WI (US)

(\*\*) **Term:** **14 Years**

(21) **Appl. No.:** **29/158,911**

(22) **Filed:** **Apr. 12, 2002**

(51) **LOC (7) Cl.** ..... **06-01**

(52) **U.S. Cl.** ..... **D6/337**

(58) **Field of Search** ..... D6/334, 335, 336,  
D6/337, 369, 370, 376, 381, 494, 495,  
498, 499; 248/188, 188.1; 297/157.1, 158.1,  
158.2, 158.3, 158.4, 158.5, 159.1

(56) **References Cited**

**U.S. PATENT DOCUMENTS**

D27,598 S	8/1897	Aufuldish	
681,394 A *	8/1901	Hile .....	297/157.1
D190,744 S	6/1961	Guice	
D194,038 S	11/1962	Preston	
D196,655 S *	10/1963	Berry .....	D6/337
3,847,424 A	11/1974	Nielsen	
D242,306 S *	11/1976	Campbell .....	D6/337
4,023,859 A	5/1977	Hagenson	
D277,442 S	2/1985	Crowell	
D287,797 S	1/1987	Evans	
D327,178 S *	6/1992	Ryaa .....	D6/337
5,452,936 A	9/1995	Koehring	
5,782,526 A *	7/1998	Ott .....	297/157.1
5,865,501 A *	2/1999	Eisenberg et al. ....	297/158.5
D417,803 S	12/1999	Shilling et al.	
D417,965 S	12/1999	Strong et al.	
D422,420 S *	4/2000	Shilling et al. ....	D6/337
D432,797 S	10/2000	Schilling et al.	

**OTHER PUBLICATIONS**

Ken Coat Incorporated, Recreation Catalog, dated Dec. 1995 Cover and two attached pages.

Fusion Coatings, Inc., Superior Line, Indoor/Outdoor Furniture Catalog, 1996 Cover, pp. 1, 3, 4, 5 and 16.

Diversified Metal Fabricators, Vinyl Coated Steel Recreational Furniture Catalog, 1998 Cover, pp. 9 and 31.

Wausau Tile Catalog, Feb. 2001 Front cover, rear cover, pp. 17 and 18.

\* cited by examiner

*Primary Examiner*—Doris V. Coles

*Assistant Examiner*—Mimosa De

(74) *Attorney, Agent, or Firm*—Wood, Phillips, Katz, Clark & Mortimer

(57) **CLAIM**

The ornamental design for a frame for a combined table and benches, as shown and described.

**DESCRIPTION**

FIG. 1 is a bottom perspective view of a frame for a combined table and benches showing my new design;

FIG. 2 is a top view thereof;

FIG. 3 is a side elevation view thereof from the bottom of FIG. 2;

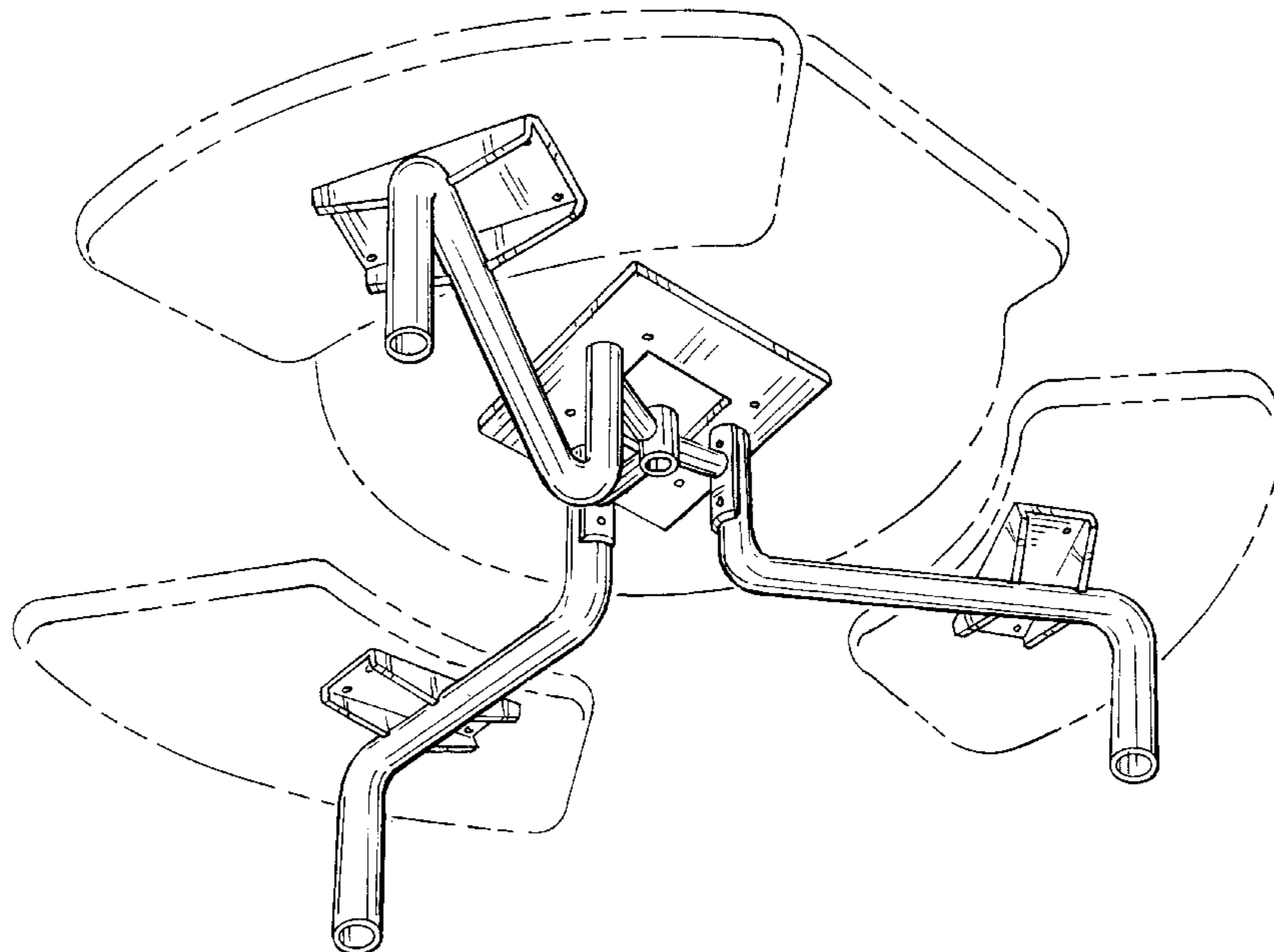
FIG. 4 is a side elevation view thereof from the top of FIG. 2;

FIG. 5 is a side elevation view from the right of FIG. 2; and, FIG. 6 is a bottom view thereof.

The side elevation from the left of FIG. 2 is a mirror image of FIG. 5.

The table top and benches shown in dashed lines form no part of the design.

**1 Claim, 4 Drawing Sheets**



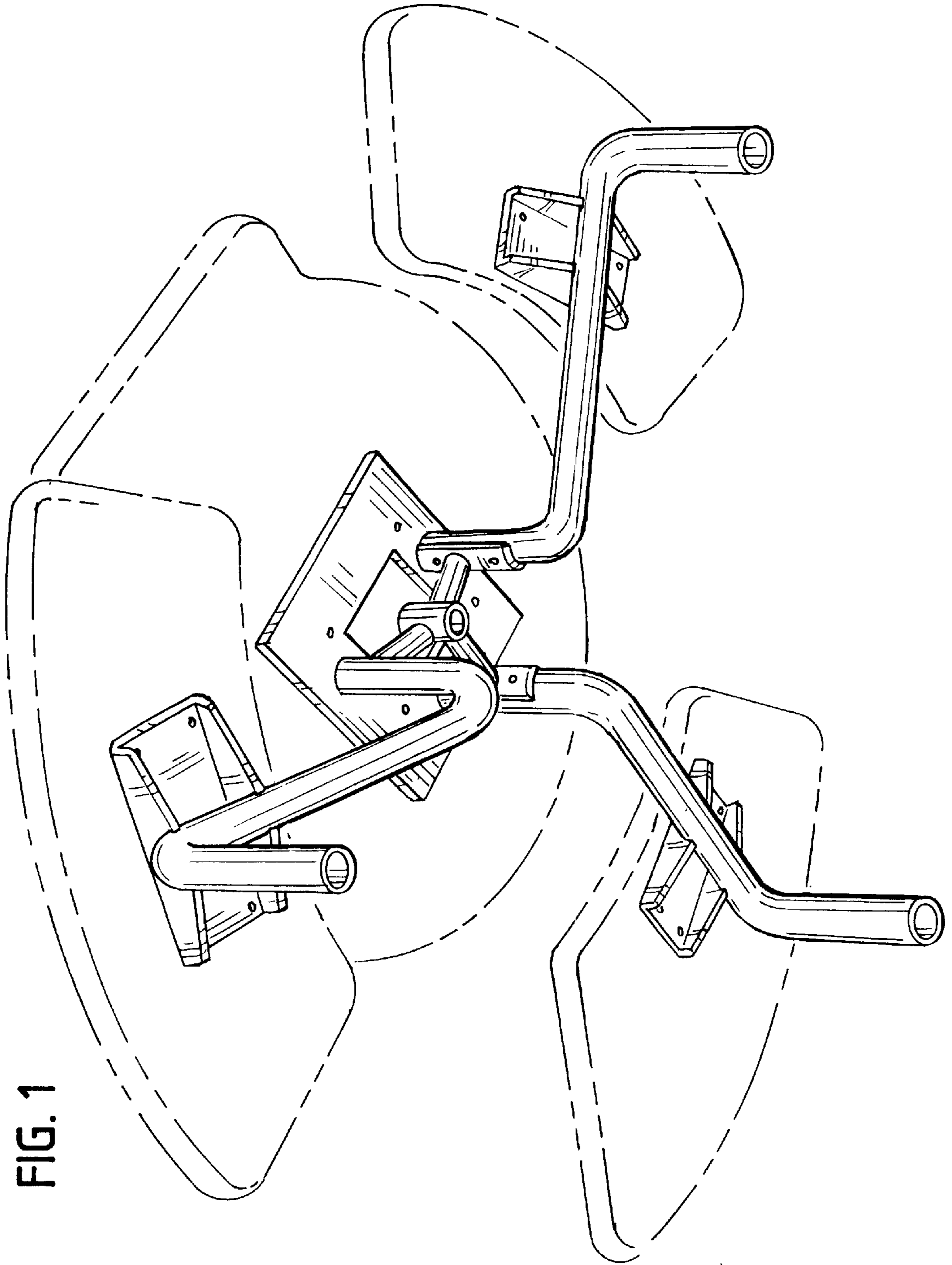


FIG. 1

FIG. 2

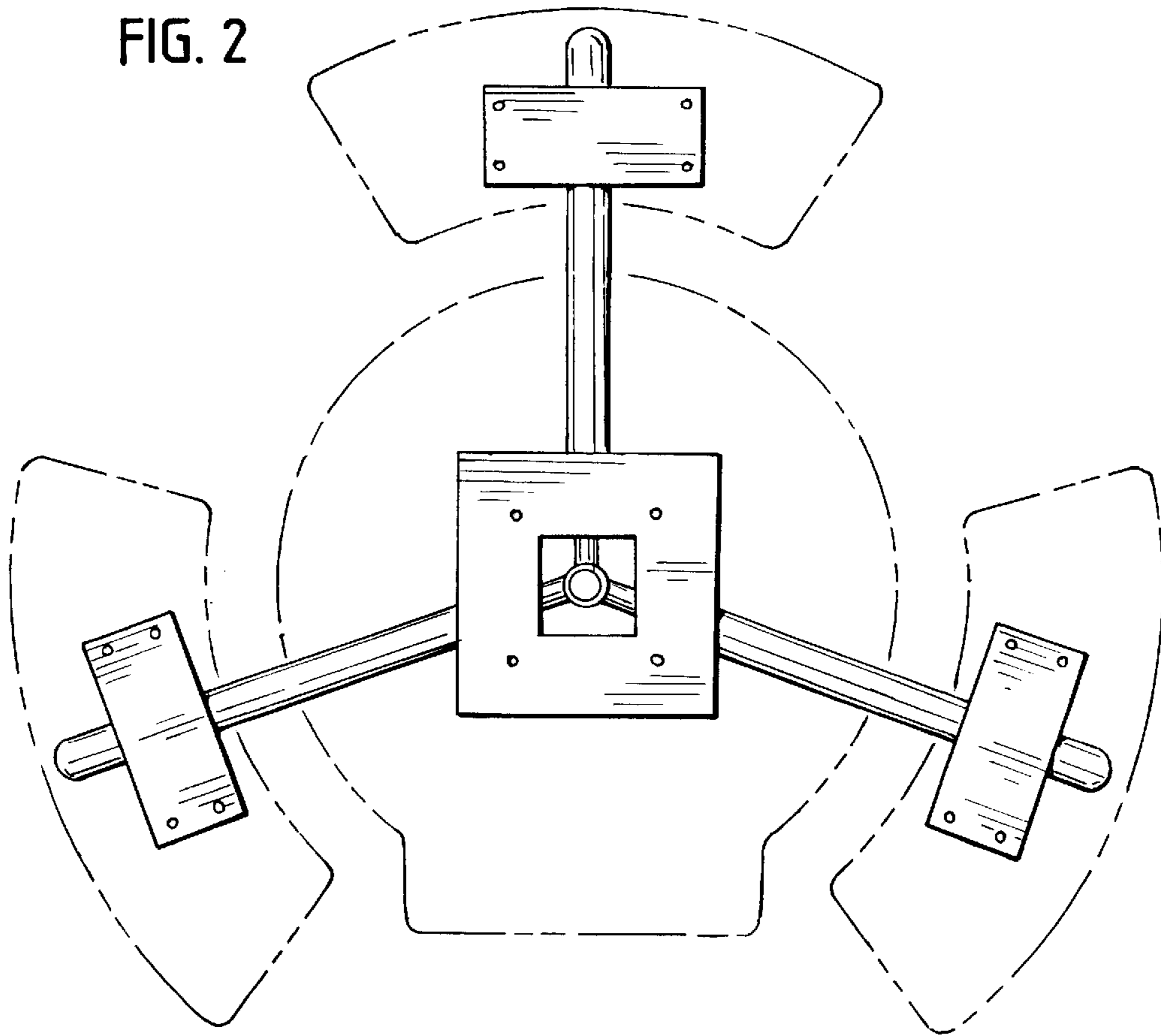


FIG. 3

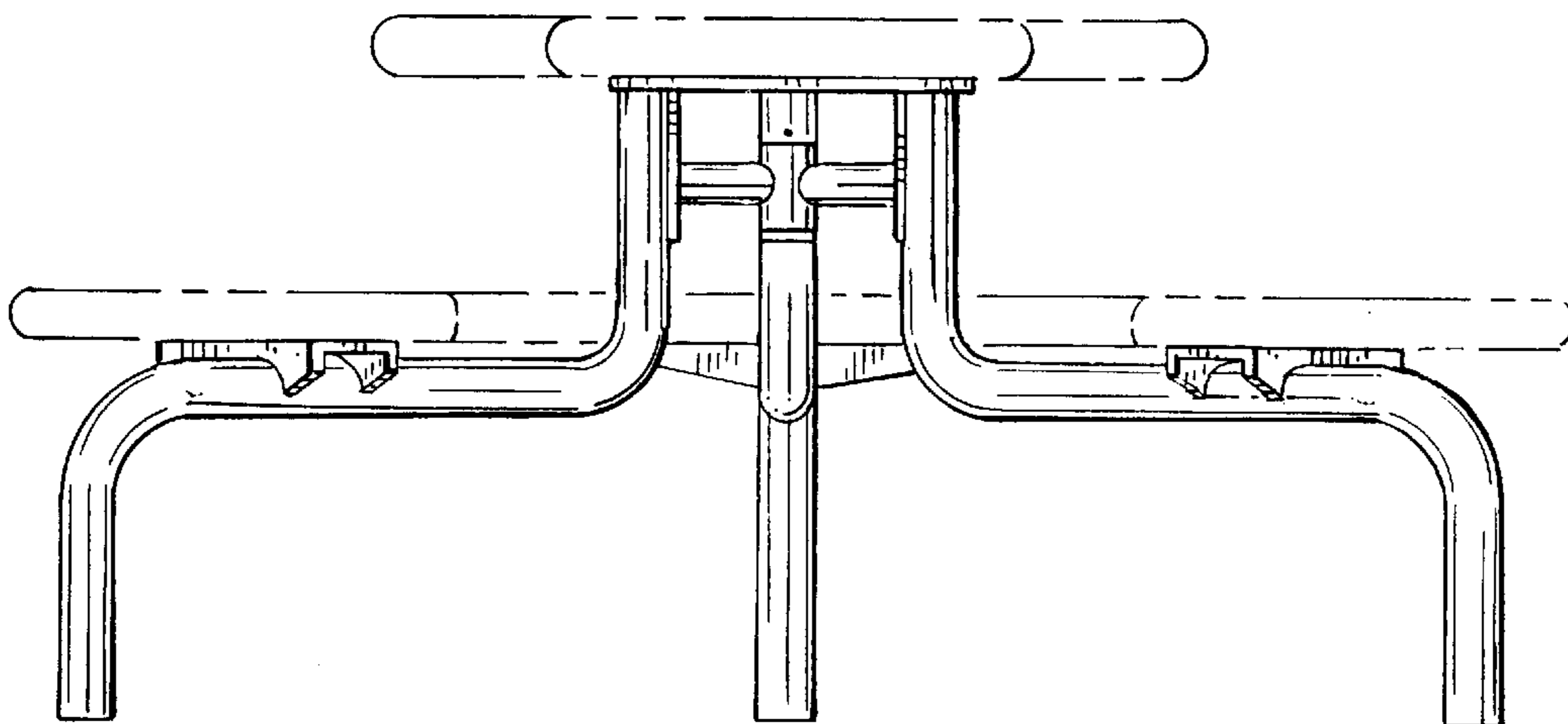


FIG. 4

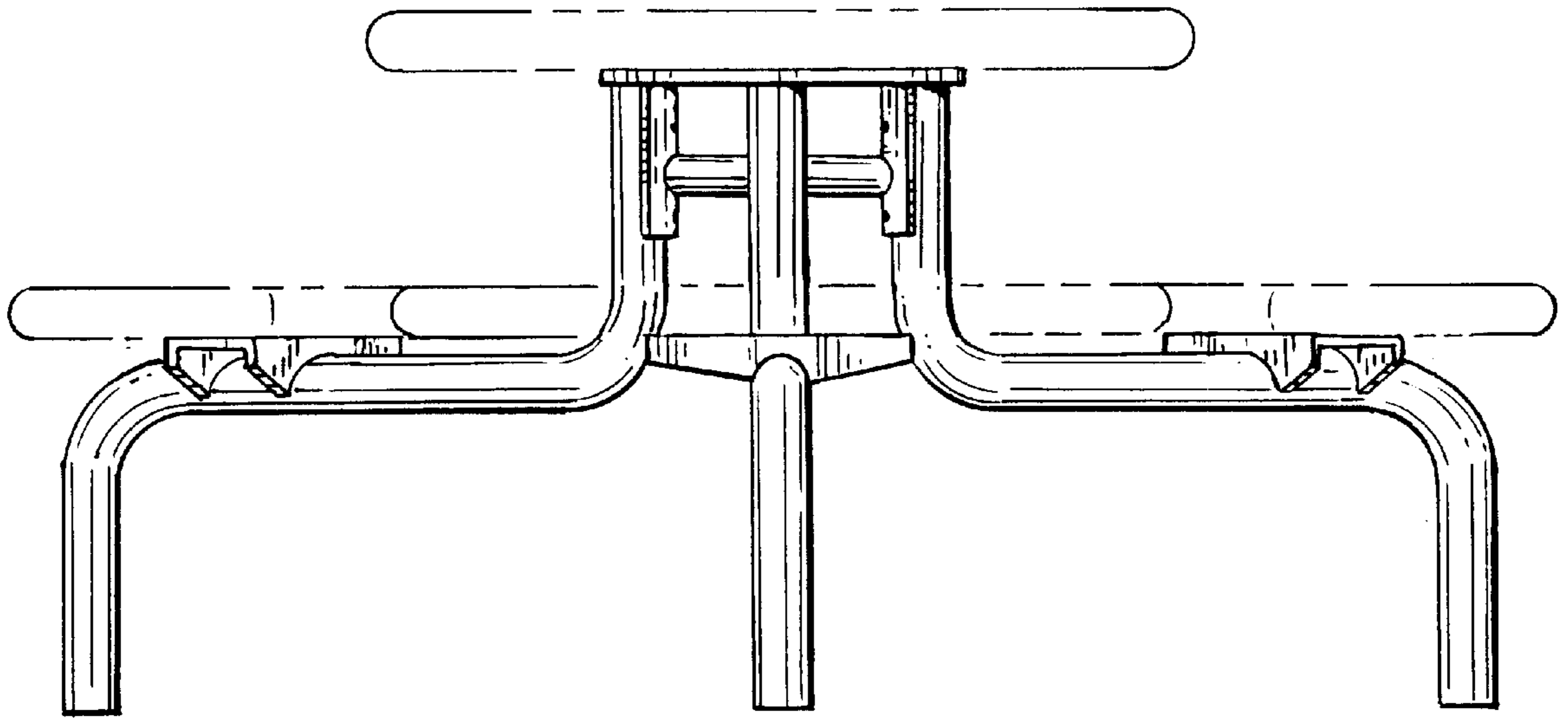


FIG. 5

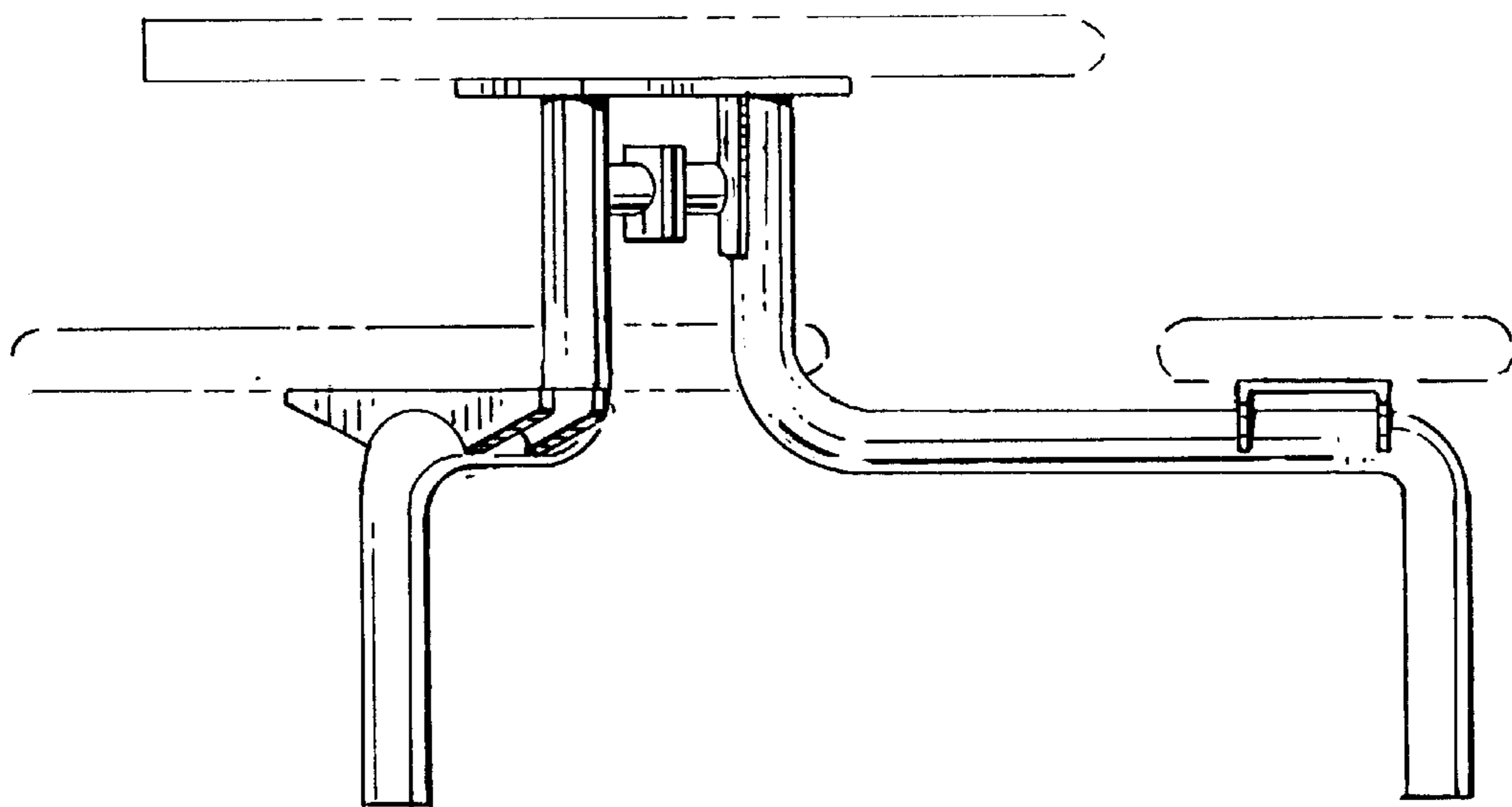


FIG. 6

