



US00D467436S

(12) **United States Design Patent**
Fink

(10) **Patent No.:** **US D467,436 S**

(45) **Date of Patent:** **** Dec. 24, 2002**

(54) **PICTURE FRAME WITH SPIKE**

D429,570 S * 8/2000 Miller D6/303

(76) Inventor: **Sandra B. Fink**, 206 Rolling Meadows,
Bossier City, LA (US) 71112

* cited by examiner

(**) Term: **14 Years**

Primary Examiner—Janice E. Seeger

(74) *Attorney, Agent, or Firm*—John M. Harrison

(21) Appl. No.: **29/158,890**

(57) **CLAIM**

(22) Filed: **Apr. 12, 2002**

The ornamental design for a picture frame with spike, as shown and described.

(51) **LOC (7) Cl.** **06-07**

DESCRIPTION

(52) **U.S. Cl.** **D6/300; D20/41**

(58) **Field of Search** D6/300–303, 308–314,
D6/417; 40/700, 711, 714–716, 720, 735,
739, 745, 765, 790, 798; D20/41, 13

FIG. 1 is a front perspective view of the picture frame with spike, showing my new design;

FIG. 2 is a rear perspective view thereof;

FIG. 3 is a top plan view of the picture frame with spike;

FIG. 4 is a front view thereof;

FIG. 5 is a right side elevational view thereof;

FIG. 6 is a bottom elevational view thereof;

FIG. 7 is a rear view thereof; and,

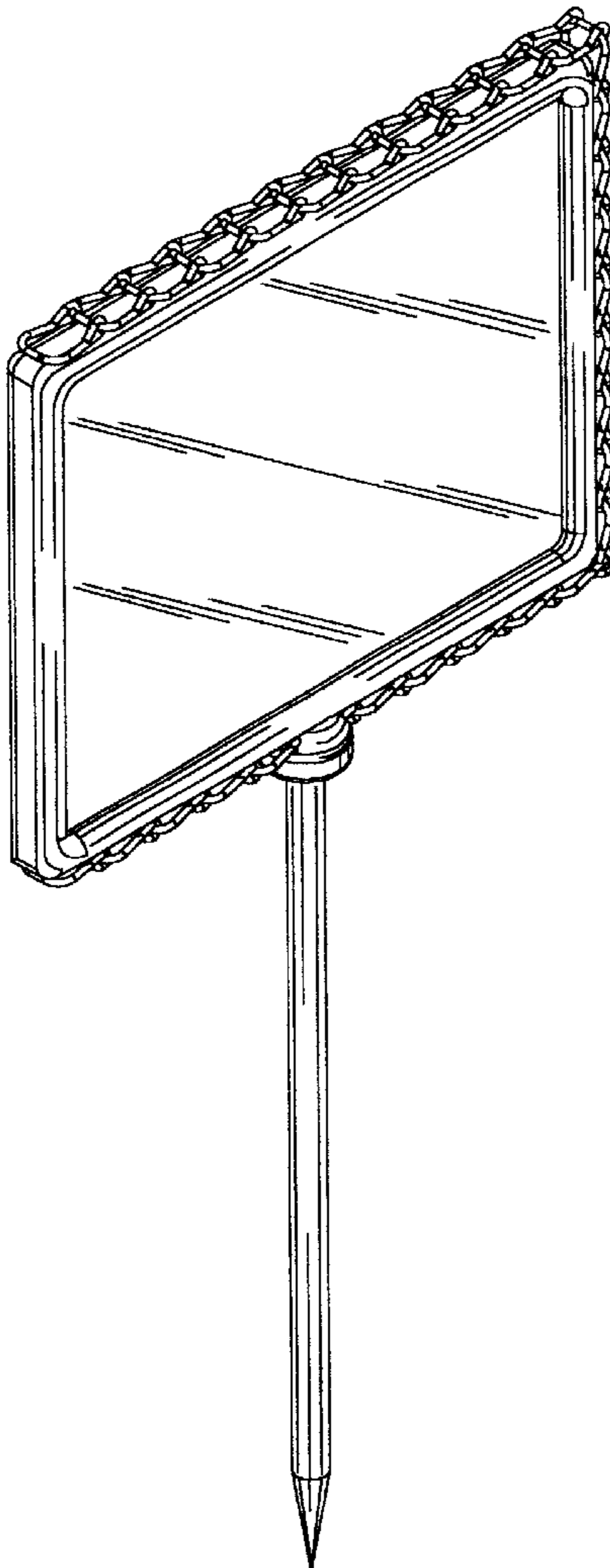
FIG. 8 is a right side elevational view of the picture frame with spike illustrated in FIGS. 1–7.

(56) **References Cited**

U.S. PATENT DOCUMENTS

D233,159 S	*	10/1974	White	D20/41
D247,590 S	*	3/1978	Atherton et al.	D20/41
D259,862 S	*	7/1981	You	D10/2
D364,965 S	*	12/1995	Ilaria et al.	D6/300
D411,371 S	*	6/1999	Wanek et al.	D6/300

1 Claim, 3 Drawing Sheets



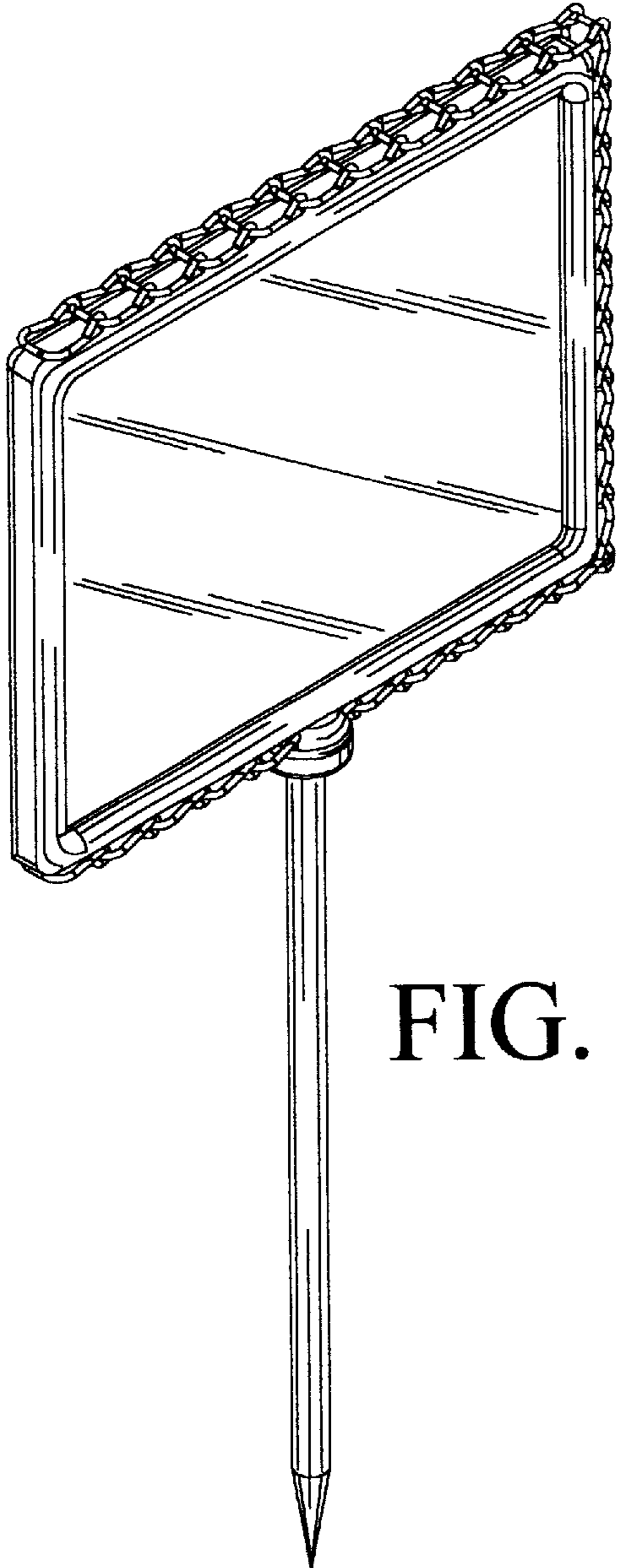


FIG. 1

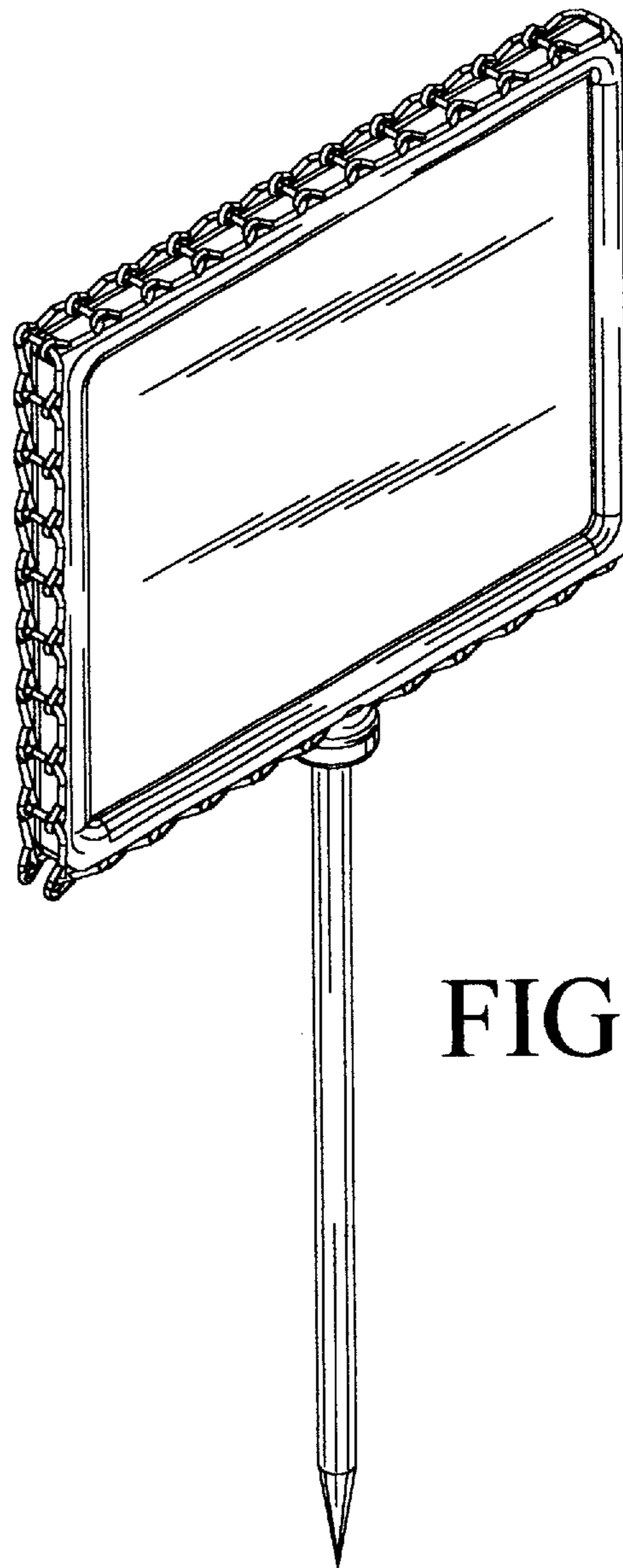


FIG. 2

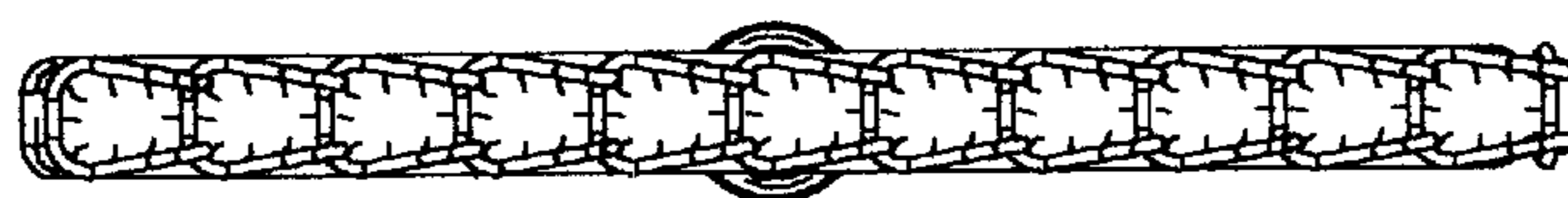


FIG. 3

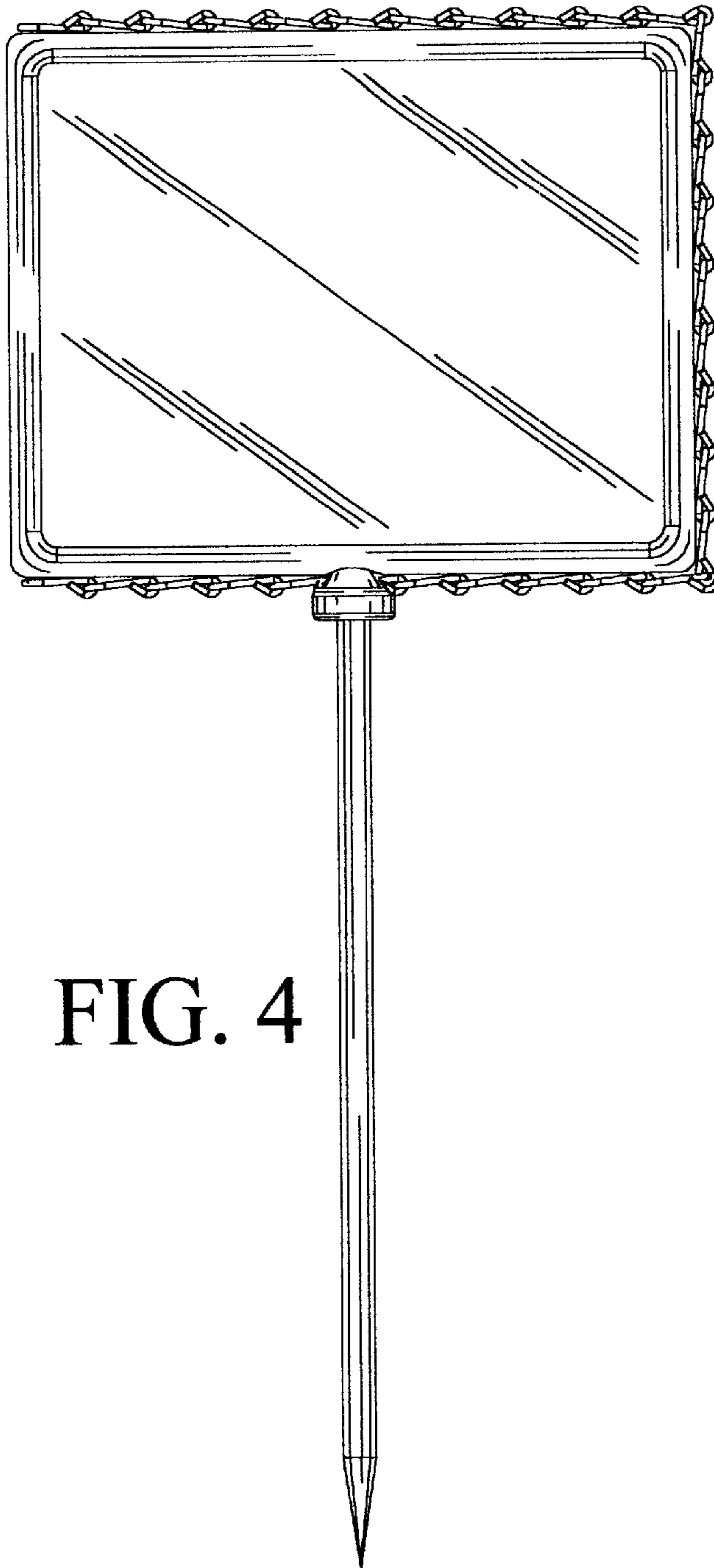


FIG. 4

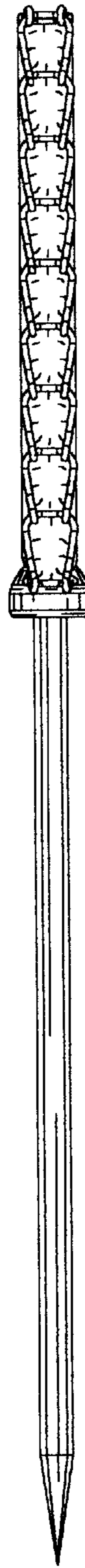


FIG. 5



FIG. 6

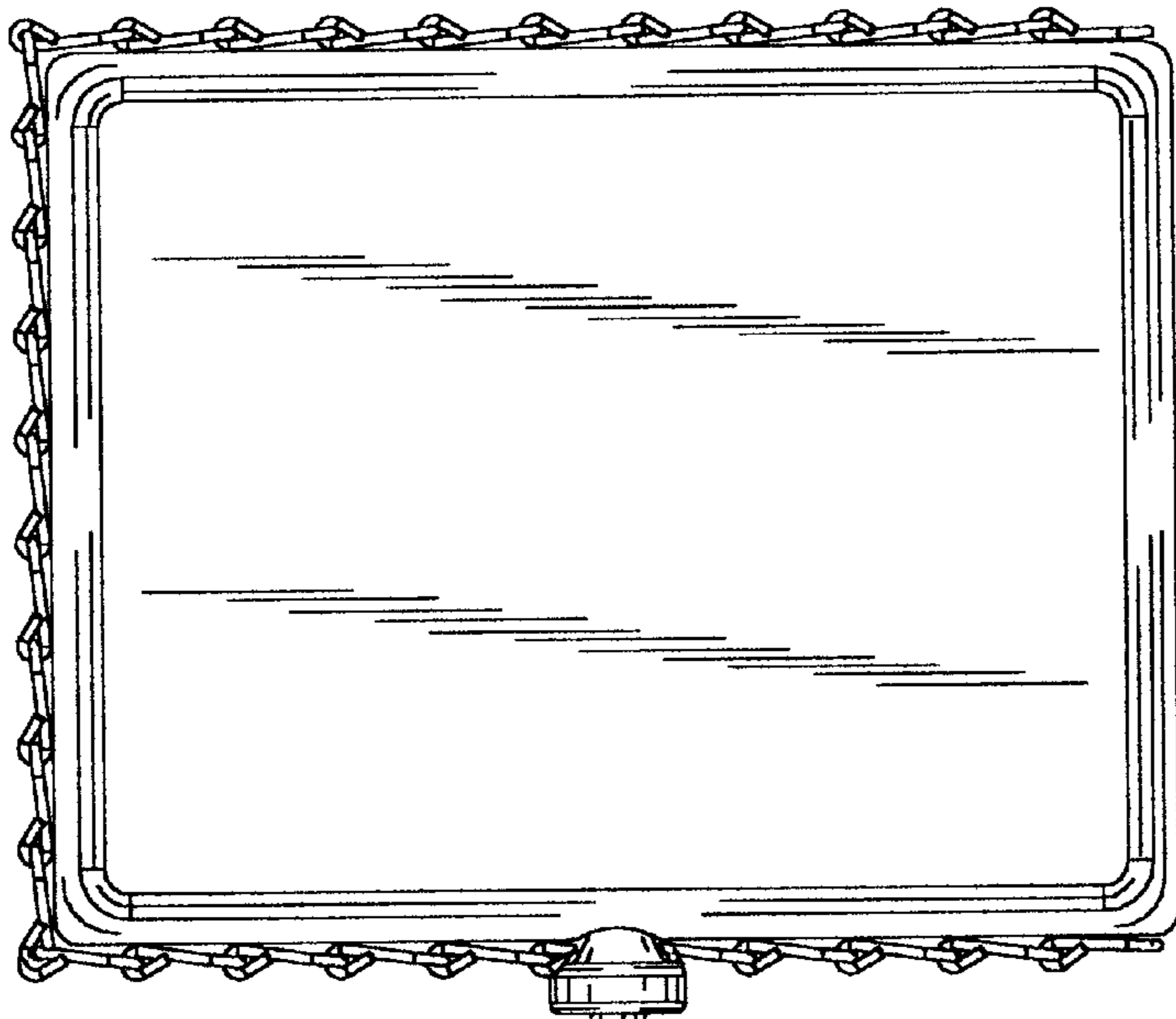


FIG. 7



FIG. 8