



US00D467428S

(12) **United States Design Patent**
Wolf

(10) **Patent No.:** **US D467,428 S**

(45) **Date of Patent:** **** Dec. 24, 2002**

(54) **HANDLED JEWELRY CASE**

(75) Inventor: **Simon Wolf**, Malibu, CA (US)

(73) Assignee: **Wolf Designs, Inc.**, Malibu, CA (US)

(**) Term: **14 Years**

(21) Appl. No.: **29/157,437**

(22) Filed: **Mar. 18, 2002**

(51) **LOC (7) Cl.** **03-01**

(52) **U.S. Cl.** **D3/291; D3/903; D3/276;**
D3/901

(58) **Field of Search** D3/273, 276, 284,
D3/281, 291, 294, 295, 901, 903; 190/100,
109, 110, 111, 112, 113; 206/6.1, 235, 566,
581

(56) **References Cited**

U.S. PATENT DOCUMENTS

D202,160 S	*	8/1965	Territo	D3/284
D288,863 S	*	3/1987	Vuitton	D3/289
5,035,319 A	*	7/1991	Kunisch	206/566
D342,156 S	*	12/1993	Turner	D28/83
D378,164 S	*	2/1997	Lee	D3/276
5,676,240 A	*	10/1997	Cziraky et al.	206/1.7
D388,251 S	*	12/1997	Smith	D3/291
5,692,605 A	*	12/1997	Lai	206/566
D415,614 S	*	10/1999	Akaike et al.	D3/272
D417,783 S	*	12/1999	Wolf	D3/275

D443,137 S * 6/2001 Lai D28/83

D451,671 S * 12/2001 Wolf D3/275

D454,687 S * 3/2002 Wolf D3/275

* cited by examiner

Primary Examiner—Philip S. Hyder

(74) *Attorney, Agent, or Firm*—Cislo & Thomas LLP

(57) **CLAIM**

The ornamental design for a handled jewelry case, as shown and described herein.

DESCRIPTION

FIG. 1 . Is a perspective view of my handled jewelry case shown in the open position;

FIG. 2 . Is a perspective view of the case of FIG. 1, but showing the case in the closed position;

FIG. 3 . Is a top view of the case shown in FIG. 2

FIG. 4 . Is a front view of the case shown in FIG. 2;

FIG. 5 . Is a bottom view of the case shown in FIG. 2;

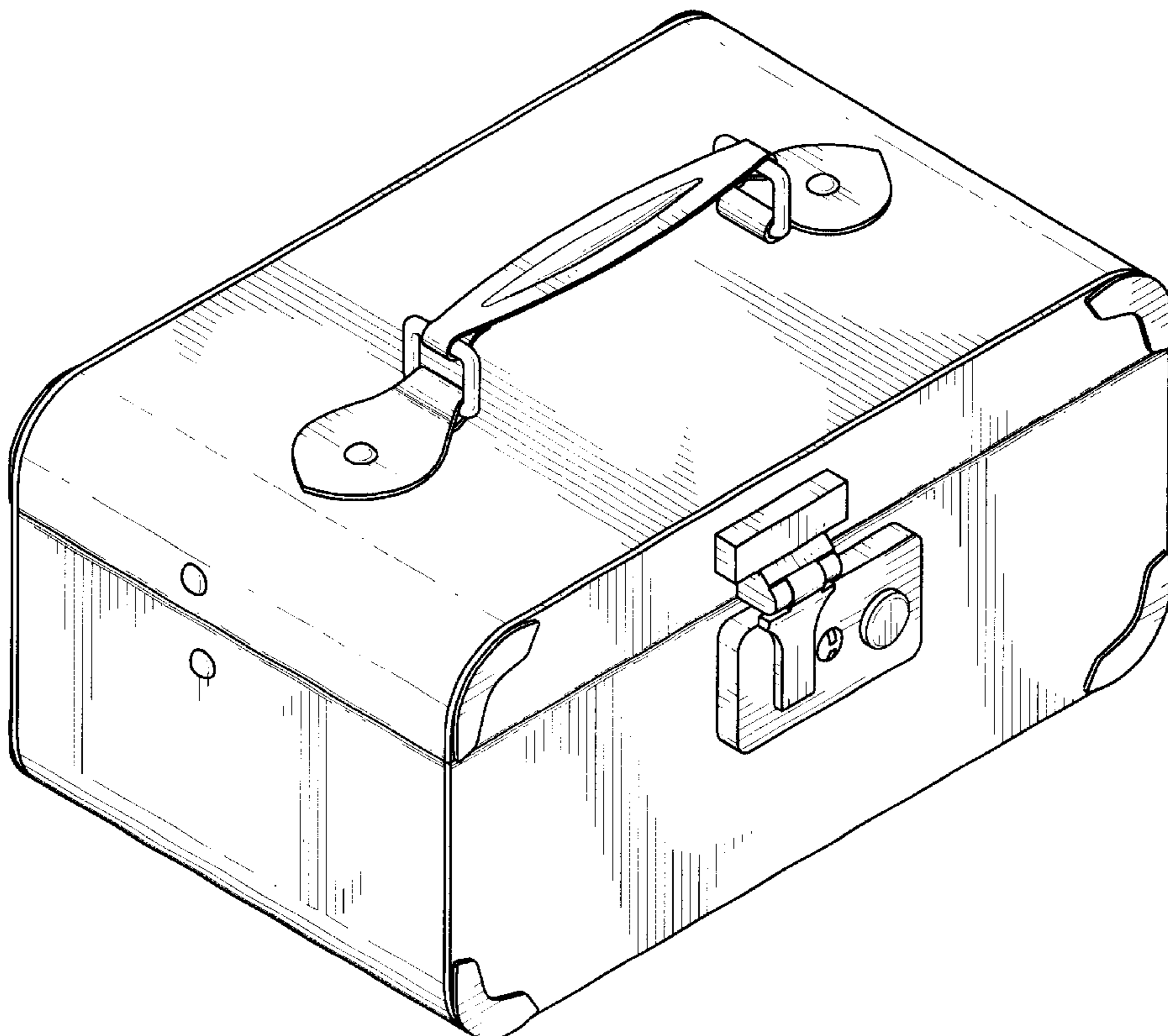
FIG. 6 . Is a right side elevational view of the case shown in FIG. 2;

FIG. 7 . Is a rear view of the case shown in FIG. 2; and,

FIG. 8 . Is a left side elevational view of the case shown in FIG. 2.

The broken line showing of the interior structure in FIG. 1 is for illustrative purposes only and forms no part of the claimed design.

1 Claim, 4 Drawing Sheets



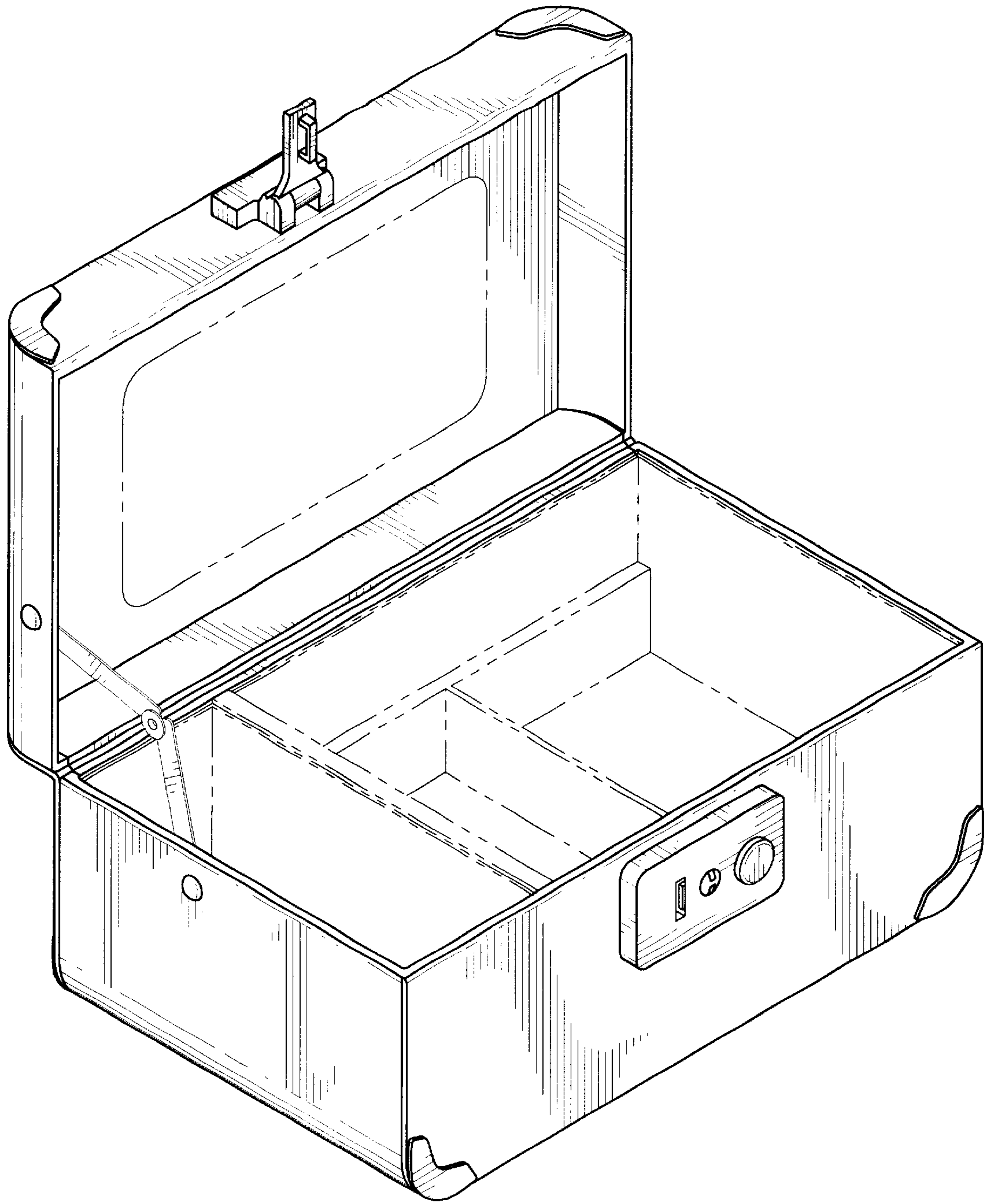


FIG. 1

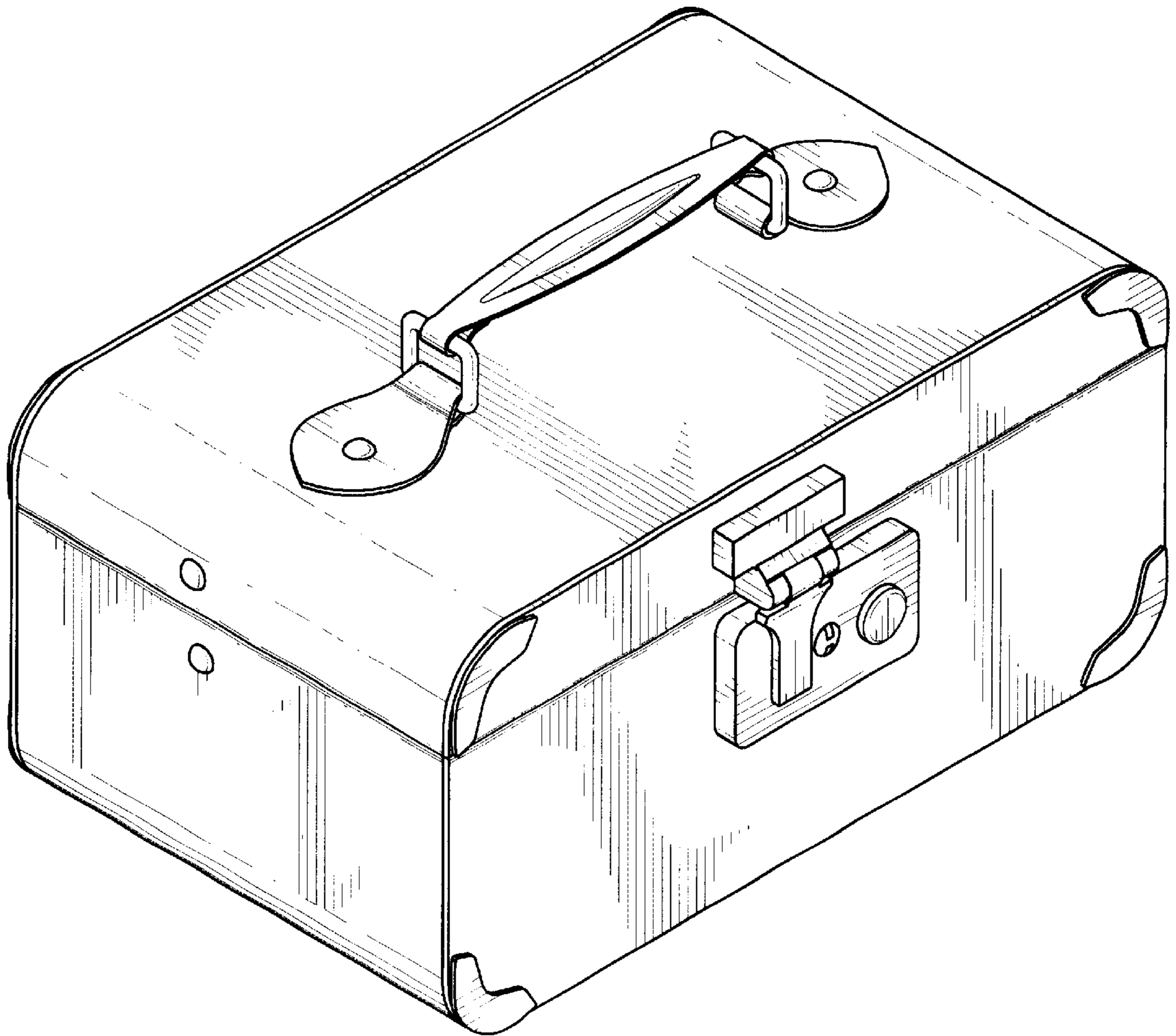


FIG. 2

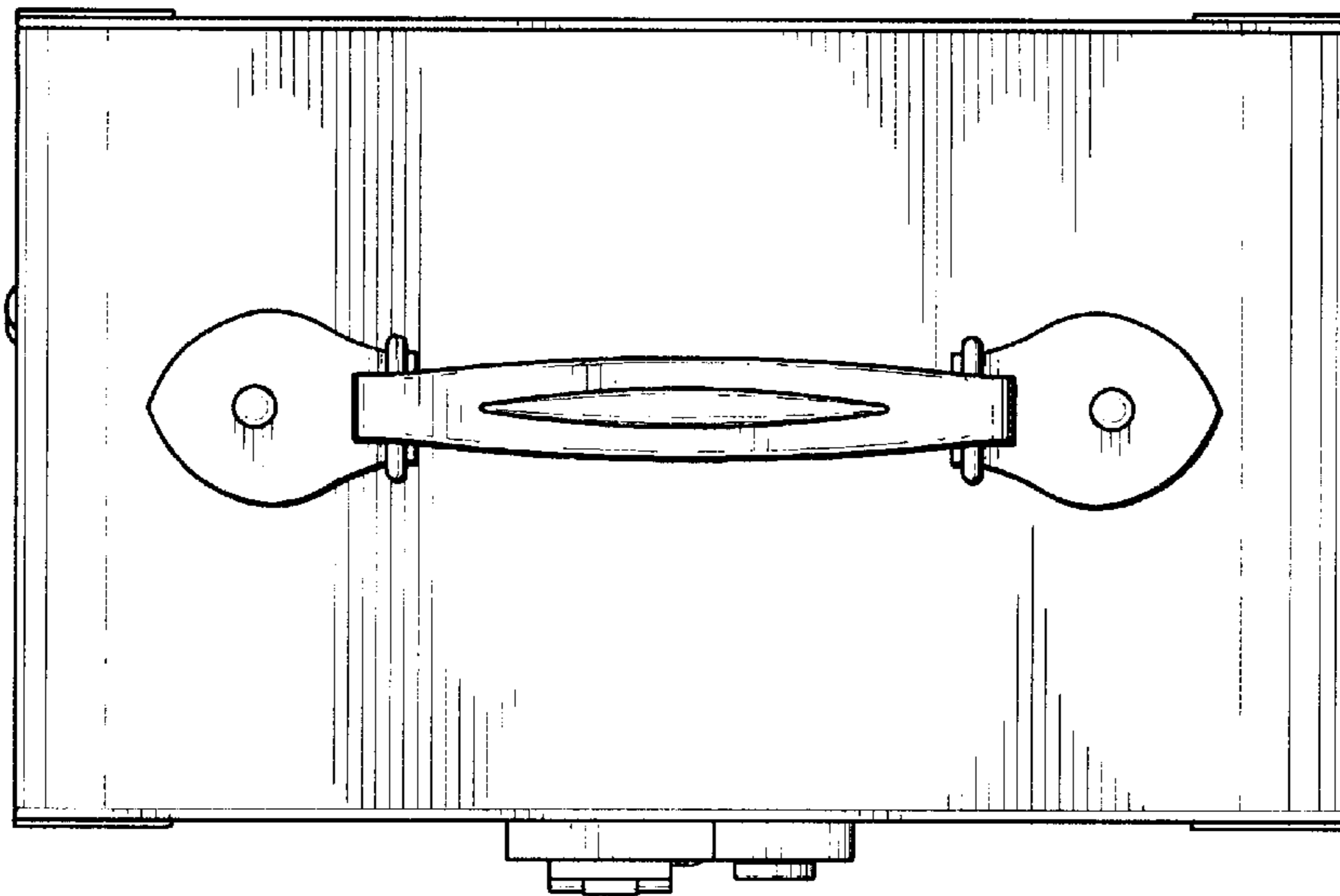


FIG. 3

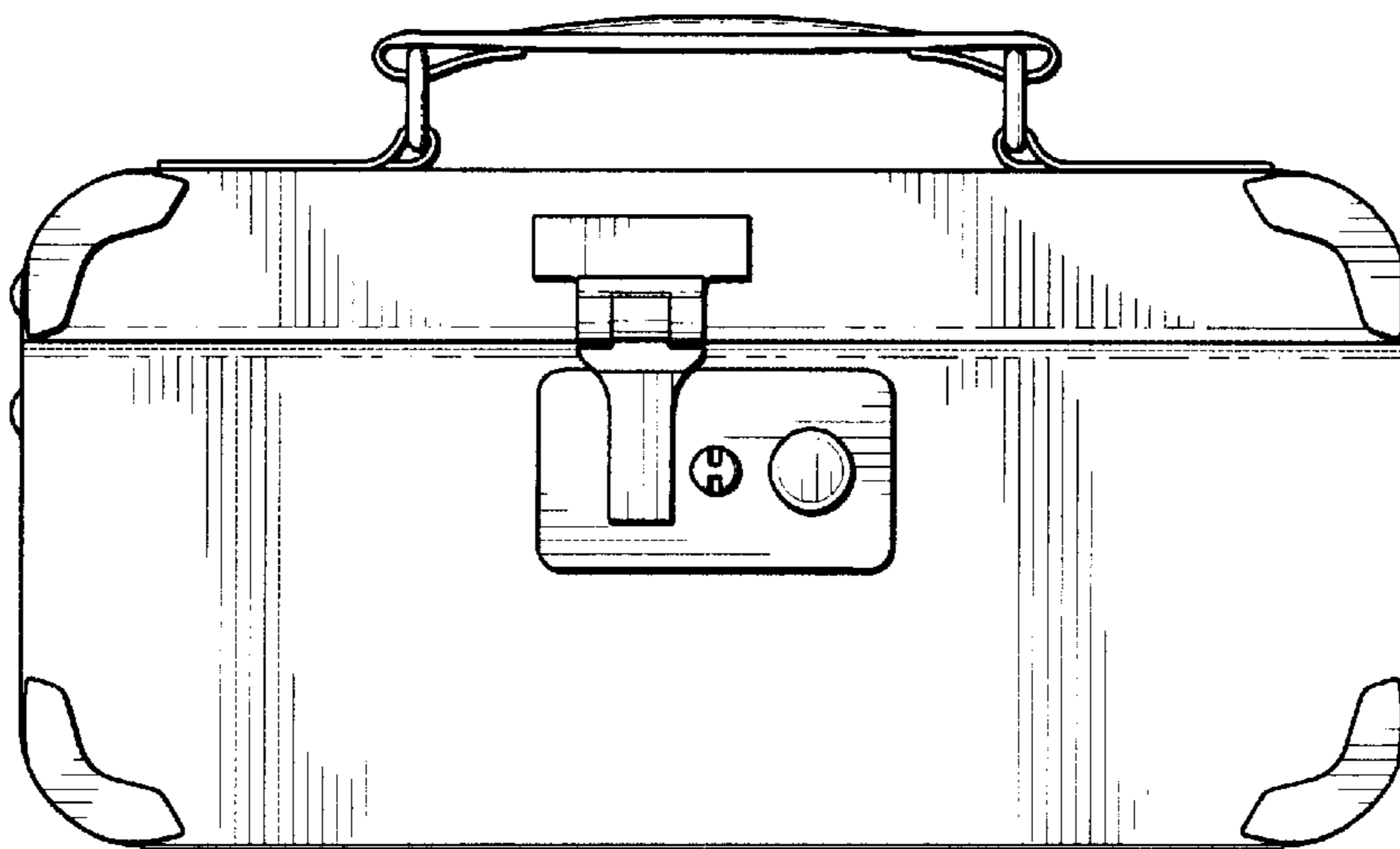


FIG. 4

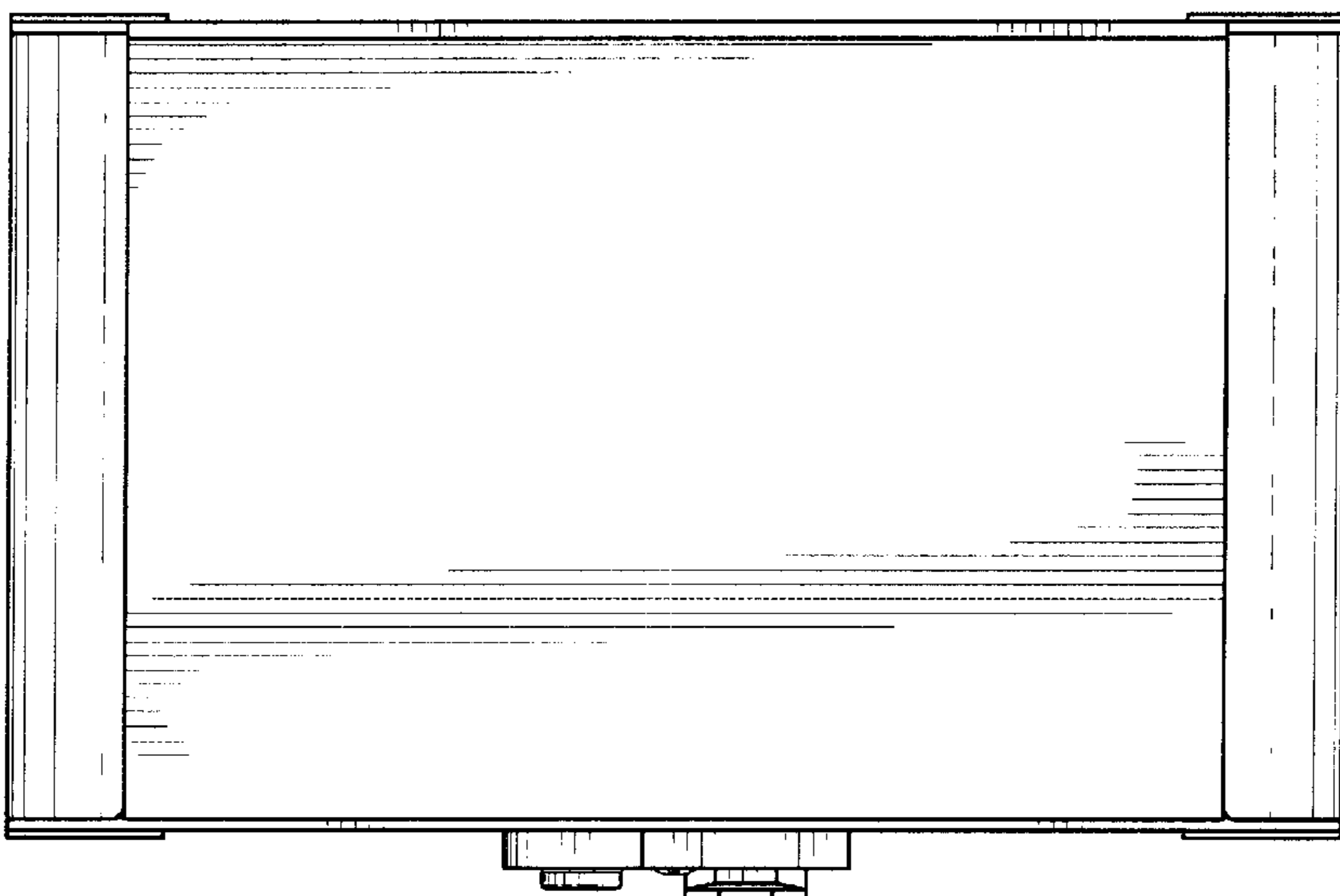


FIG. 5

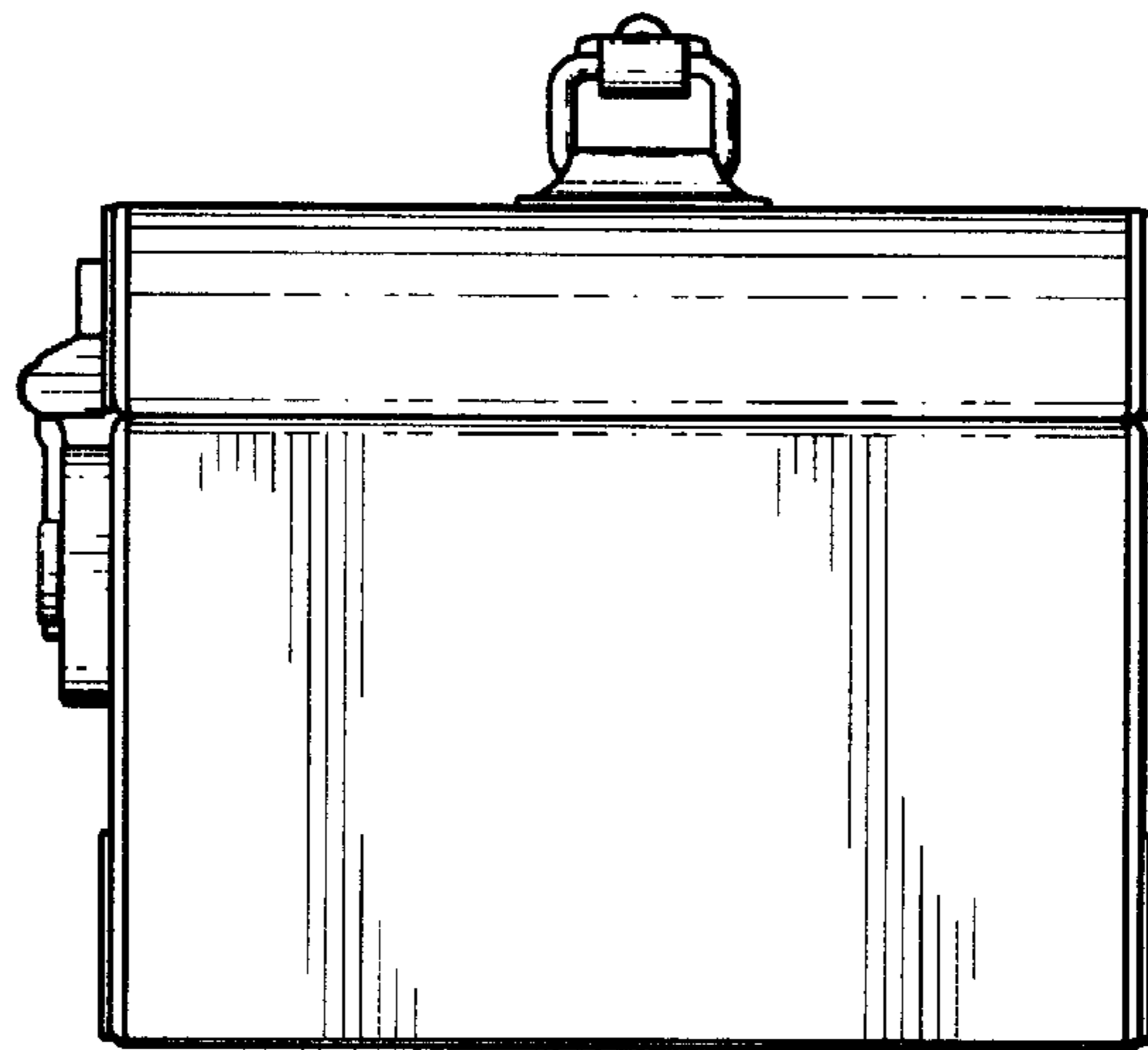


FIG. 6

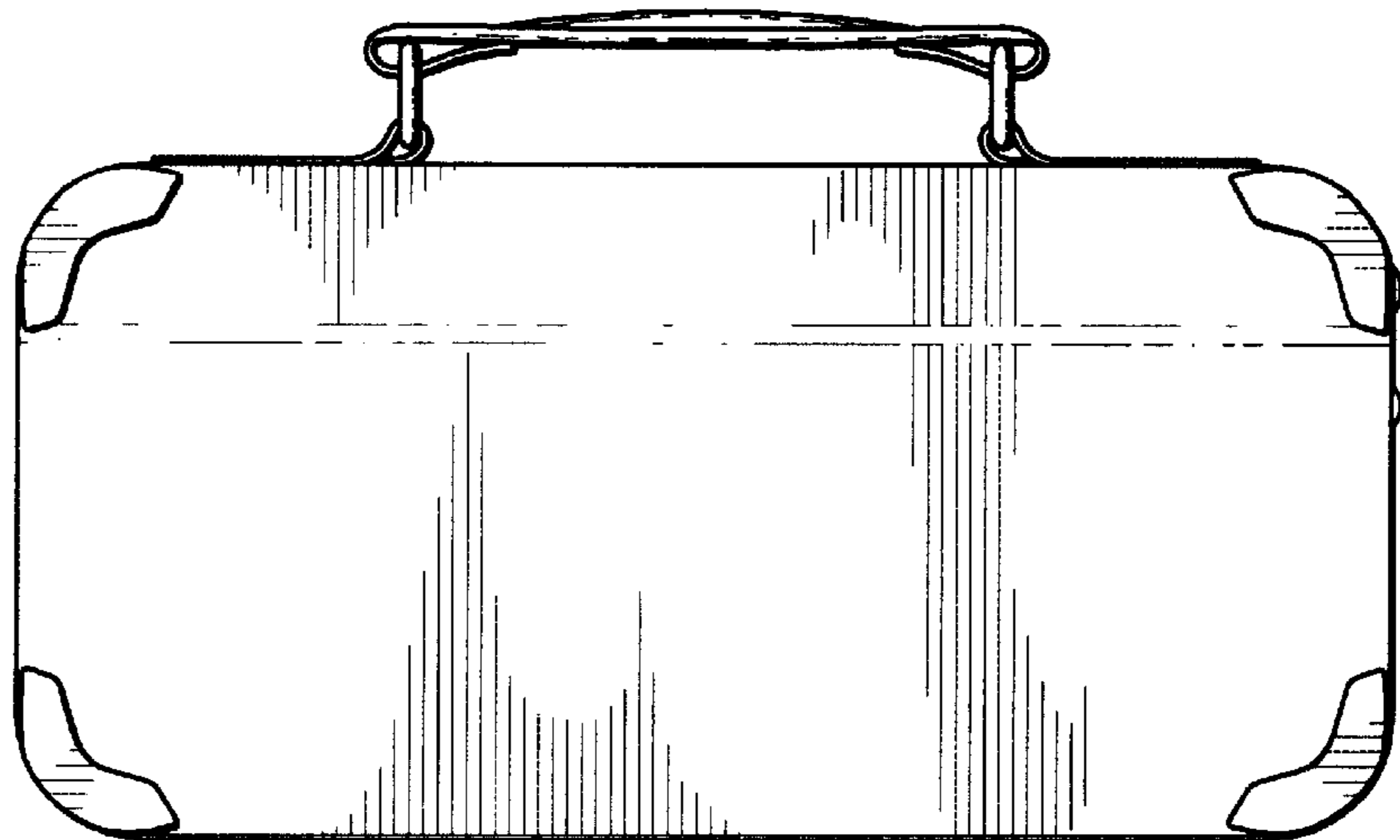


FIG. 7

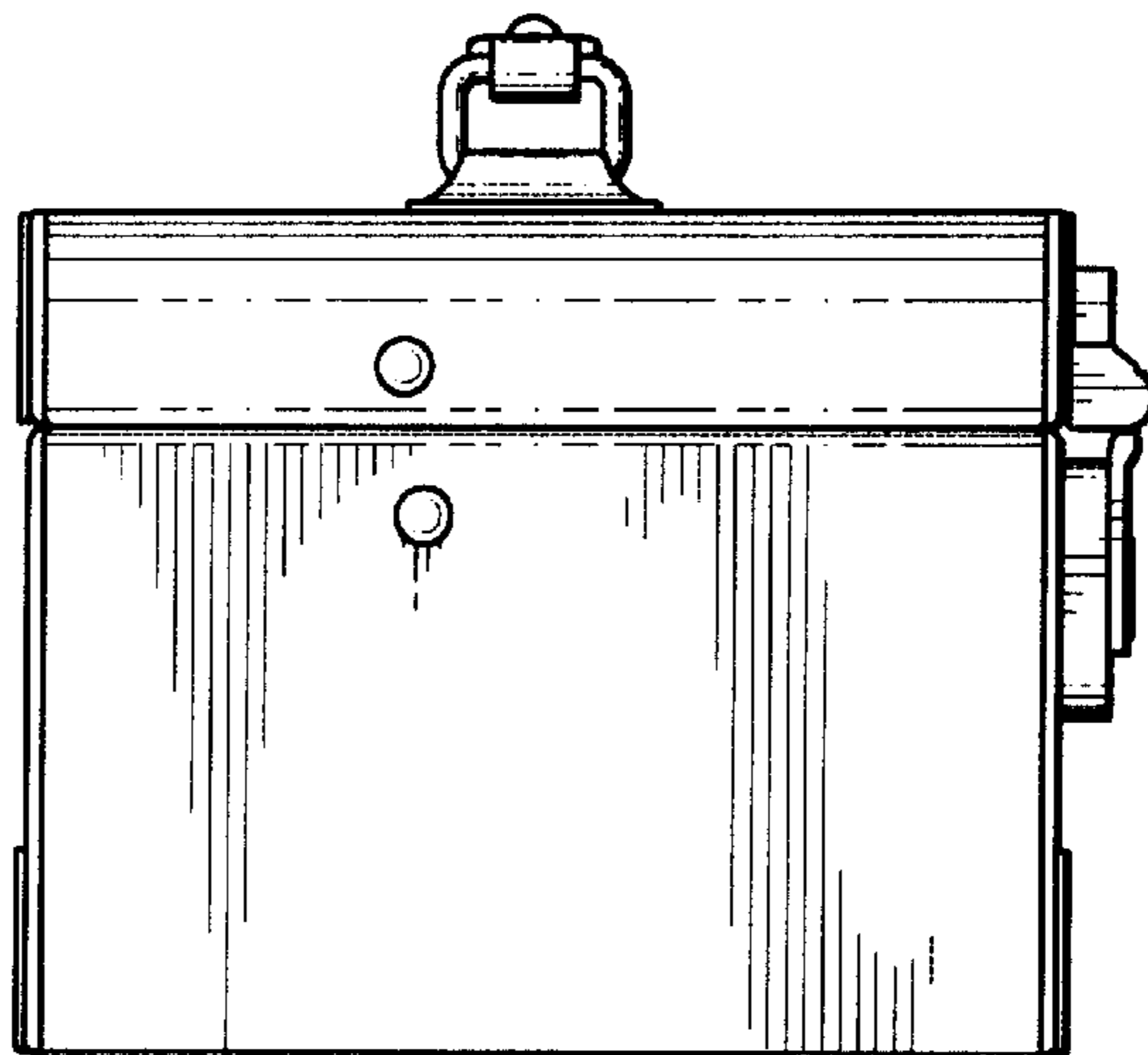


FIG. 8