



US00D467427S

(12) **United States Design Patent**
Wolf

(10) **Patent No.:** **US D467,427 S**

(45) **Date of Patent:** **** Dec. 24, 2002**

(54) **DUAL OPENING JEWELRY CASE**

(75) Inventor: **Simon Wolf**, Malibu, CA (US)

(73) Assignee: **Wolf Designs, Inc.**, Malibu, CA (US)

(**) Term: **14 Years**

(21) Appl. No.: **29/157,307**

(22) Filed: **Mar. 16, 2002**

(51) **LOC (7) Cl.** **03-01**

(52) **U.S. Cl.** **D3/289; D3/276; D3/903;**
D3/285; D3/901

(58) **Field of Search** D3/273, 276, 284,
D3/285, 289, 291, 901, 903; 190/100, 109,
110, 111, 112, 113; 206/6.1, 235, 566, 581

(56) **References Cited**

U.S. PATENT DOCUMENTS

D202,160 S	*	8/1965	Territo	D3/284
D269,227 S	*	6/1983	Stark	D3/287
D273,533 S	*	4/1984	Weinreb	D3/268
D286,704 S	*	11/1986	Katz et al.	D3/287
5,035,319 A	*	7/1991	Kunisch	206/566
5,676,240 A	*	10/1997	Cziraky et al.	206/1.7
5,692,605 A	*	12/1997	Lai	206/566
D417,783 S	*	12/1999	Wolf	D3/275

D443,137 S * 6/2001 Lai D28/83

D451,671 S * 12/2001 Wolf D3/275

D454,687 S * 3/2002 Wolf D3/275

* cited by examiner

Primary Examiner—Philip S. Hyder

(74) *Attorney, Agent, or Firm*—Cislo & Thomas LLP

(57) **CLAIM**

The ornamental design for a dual opening jewelry case, as shown and described herein.

DESCRIPTION

FIG. 1. Is a perspective view of my dual opening jewelry case;

FIG. 2. Is a rear view of the my dual opening jewelry case, with the zipper pull being shown in phantom line;

FIG. 3. Is a front view of the thereof;

FIG. 4. Is a left side elevational view thereof;

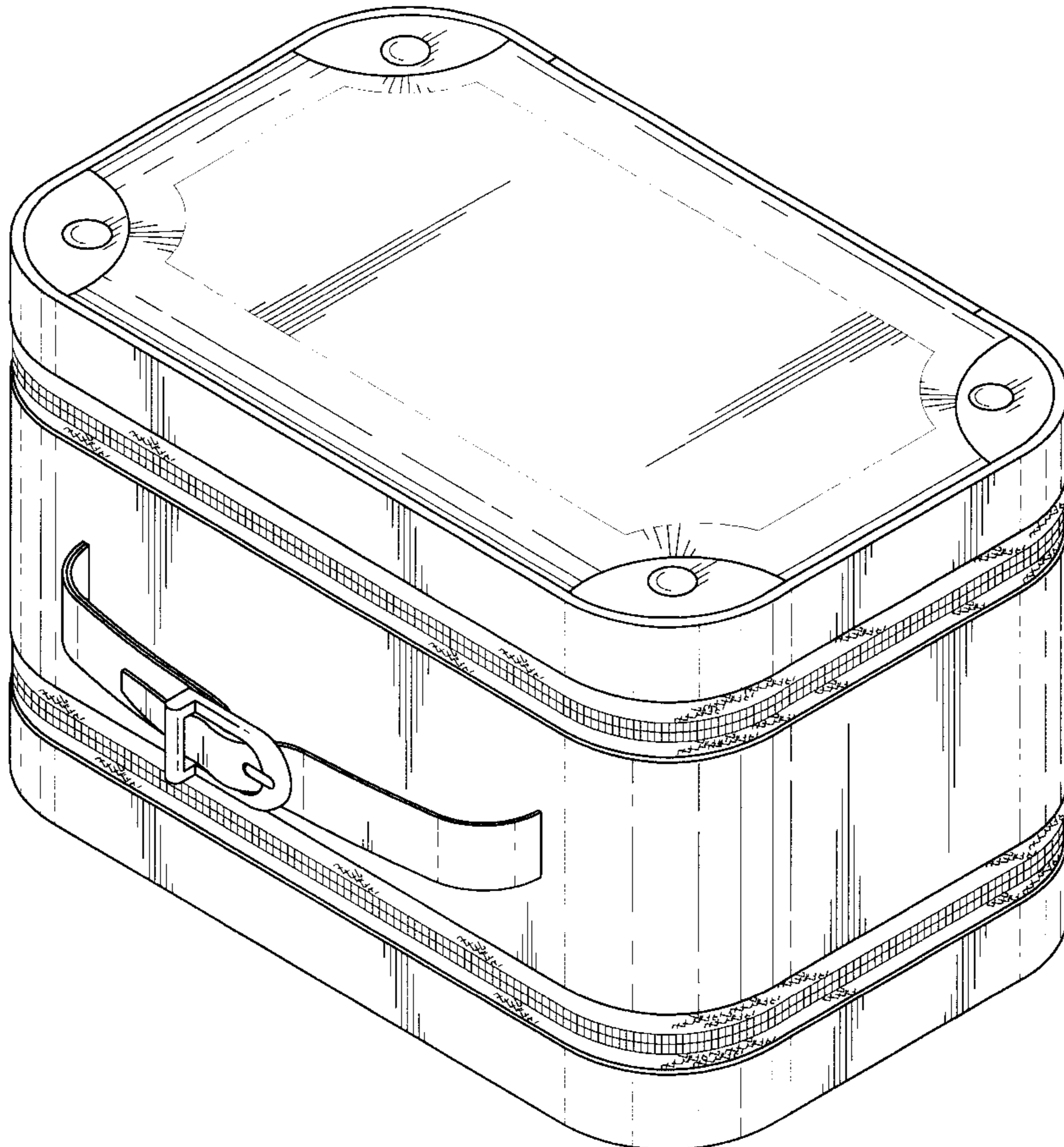
FIG. 5. Is a right side elevational view thereof;

FIG. 6. Is a bottom view thereof; and,

FIG. 7. Is a perspective view of my dual opening jewelry case showing the same in the open position.

The broken line portions of the disclosure are for illustrative purposes only and form no part of the claimed design.

1 Claim, 5 Drawing Sheets



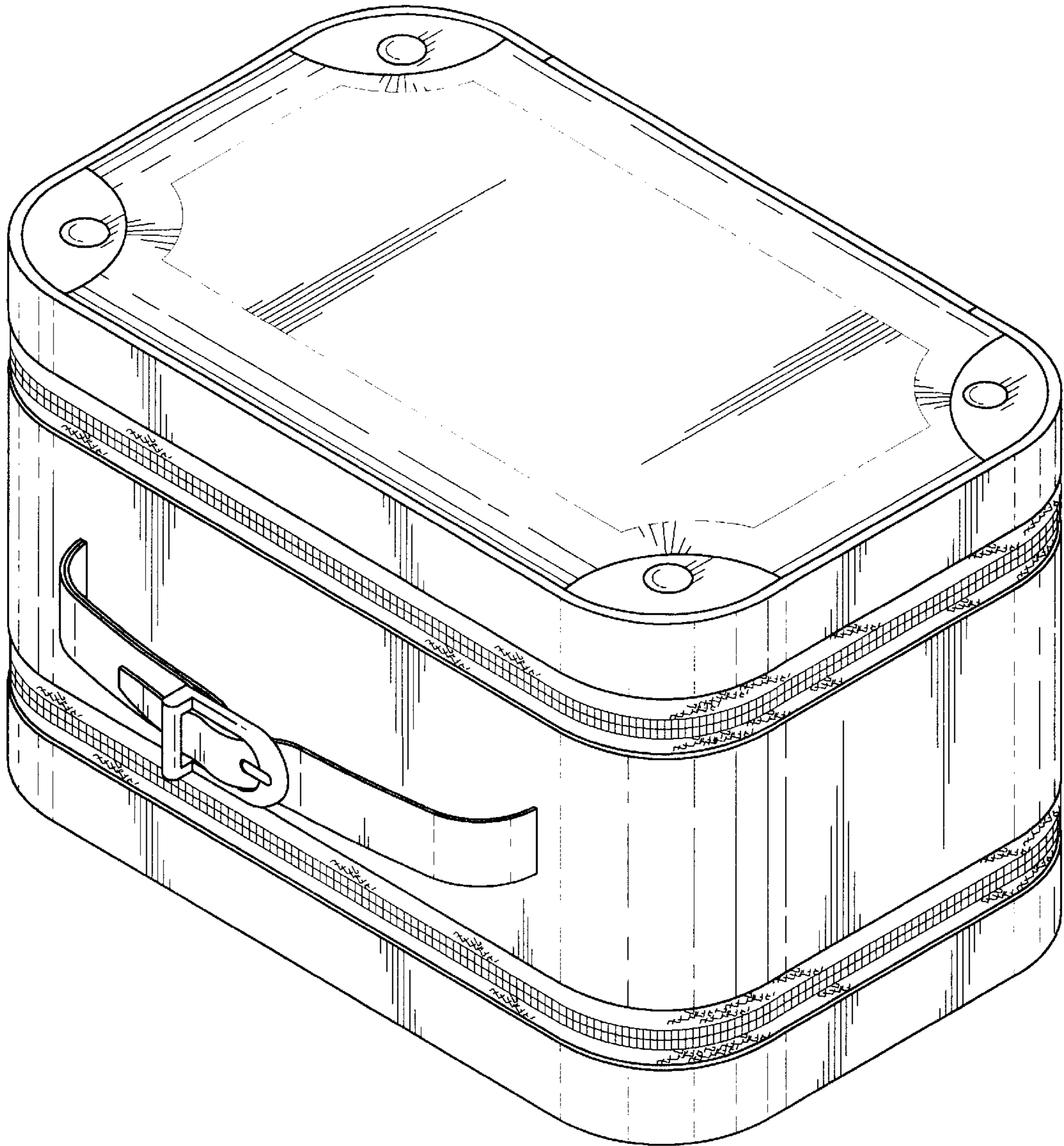


FIG. 1

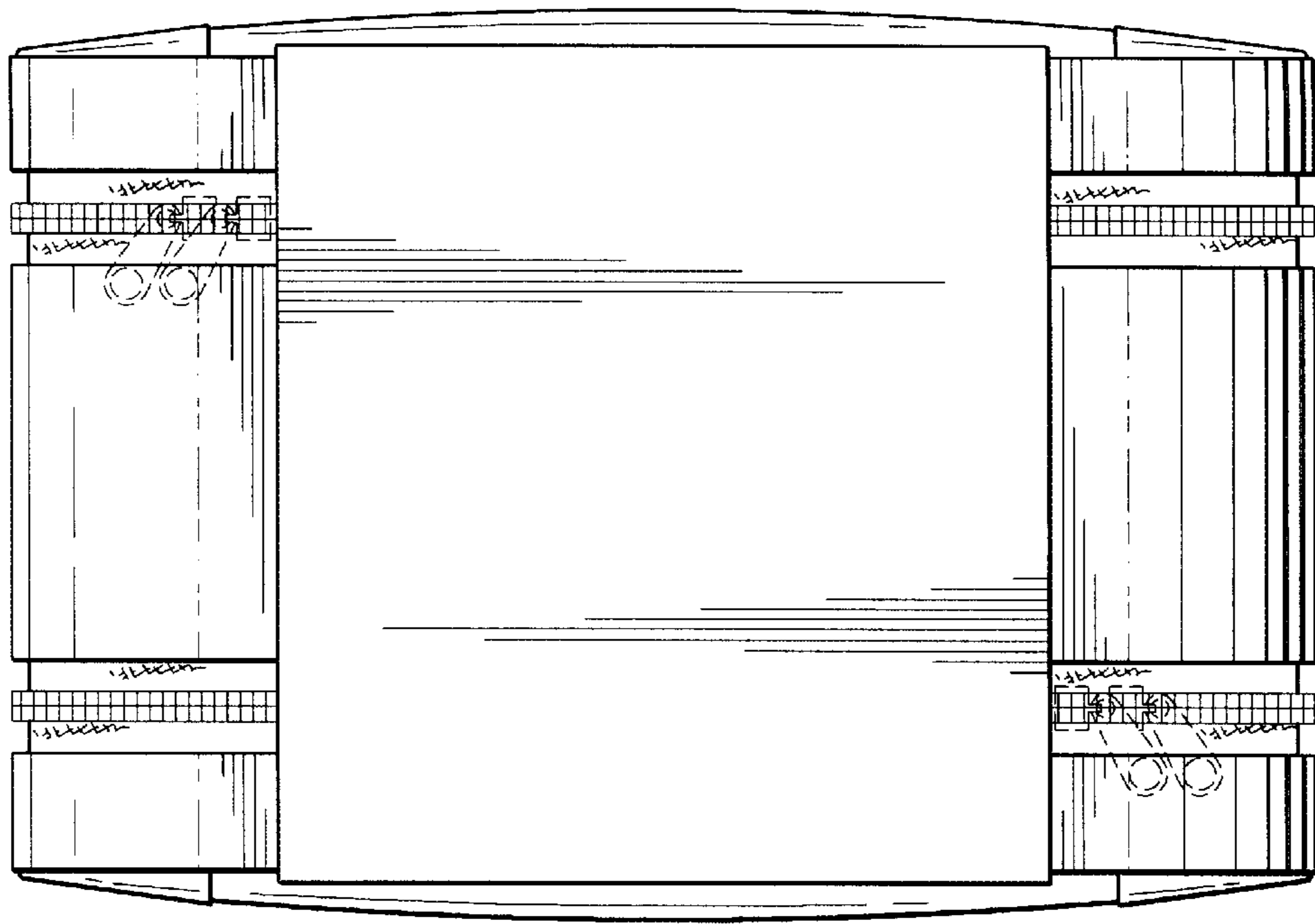


FIG. 2

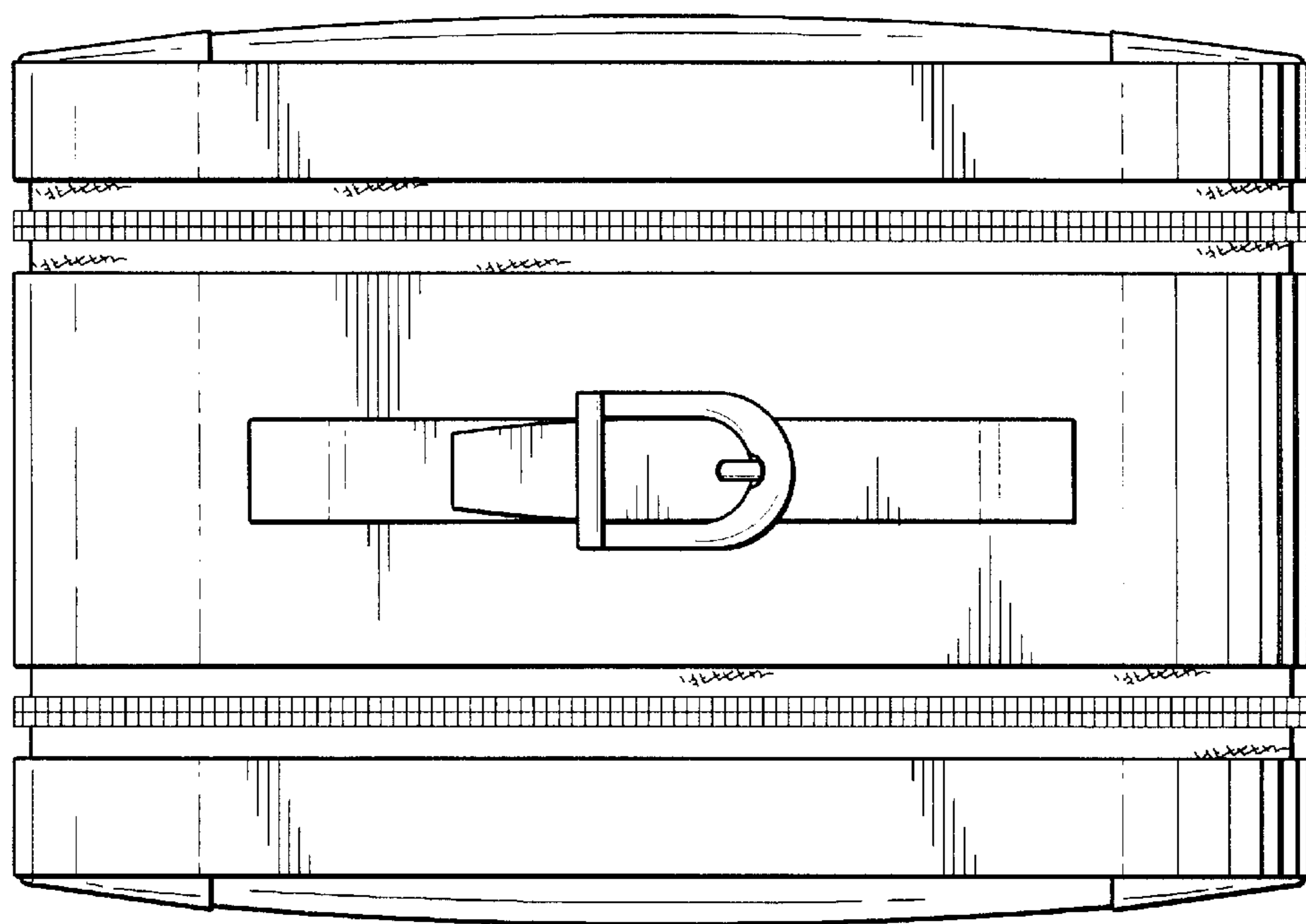


FIG. 3

FIG. 4

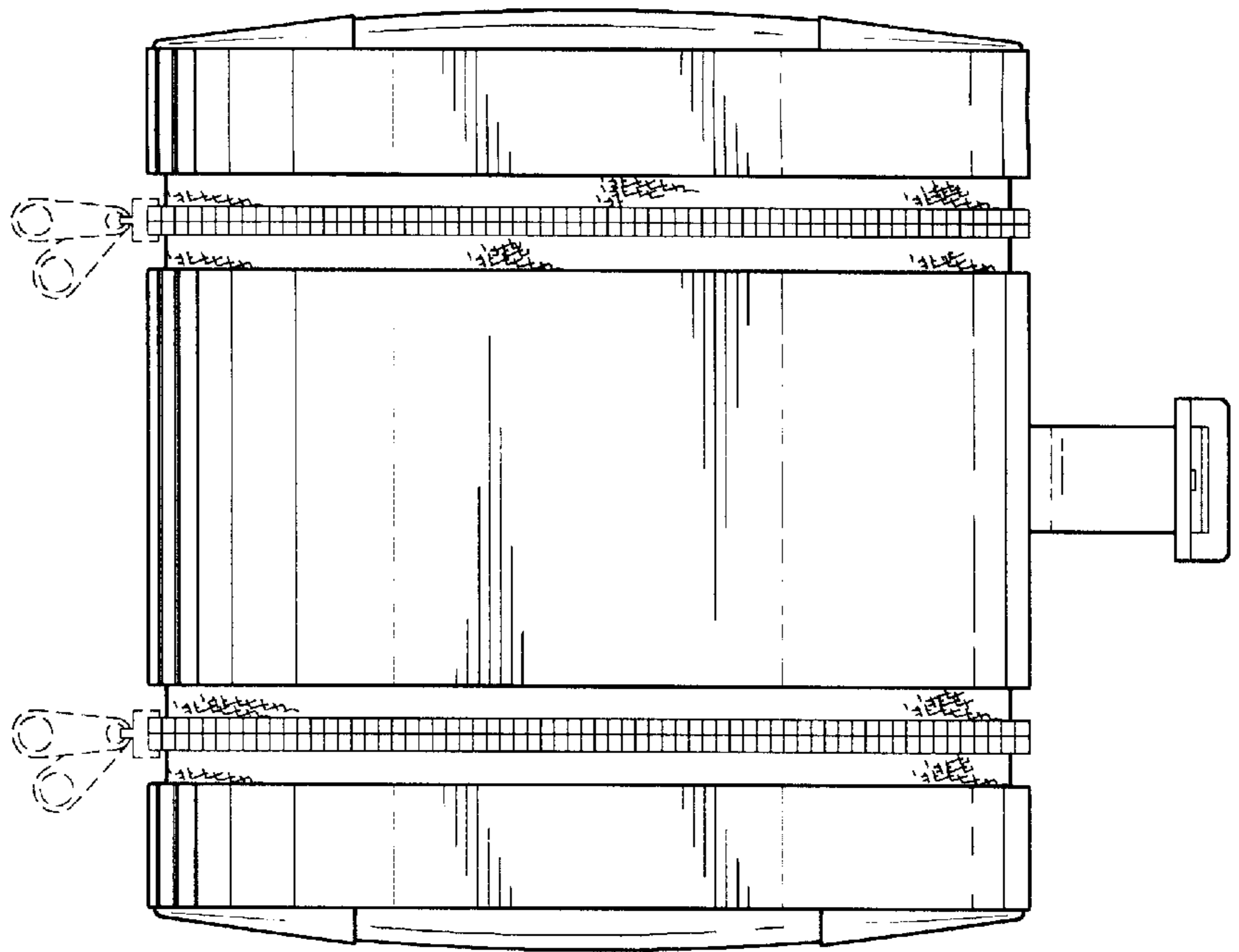
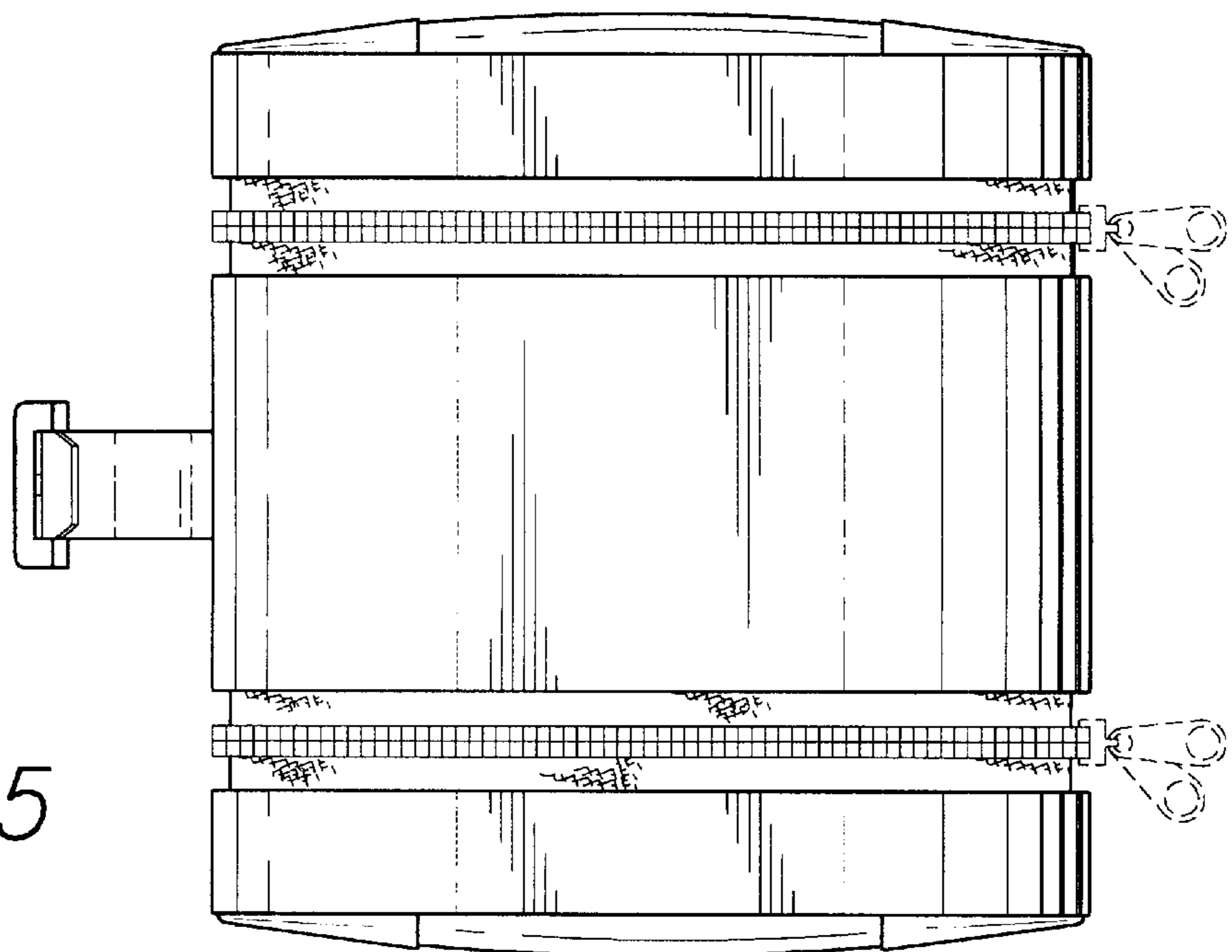


FIG. 5



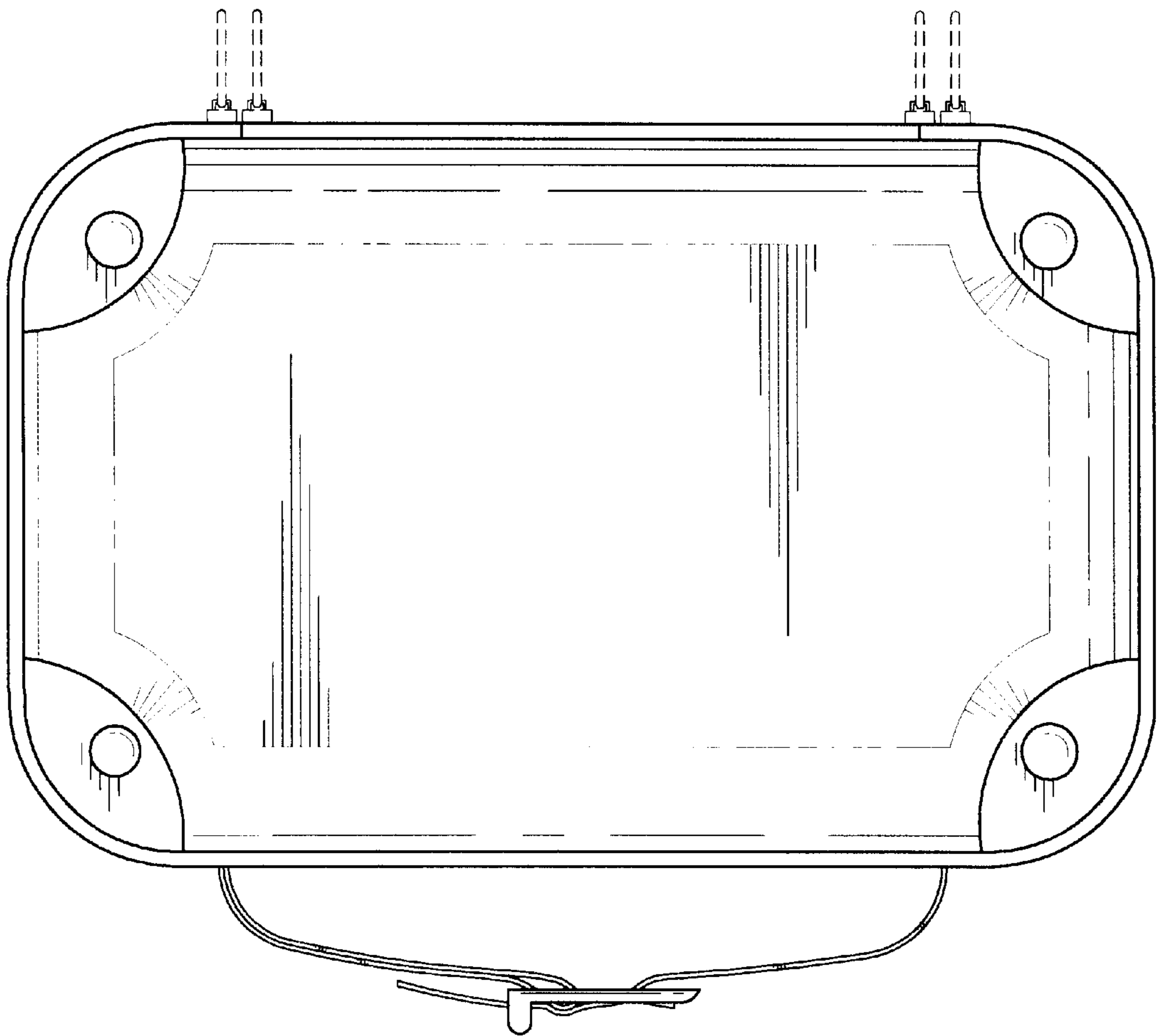


FIG. 6

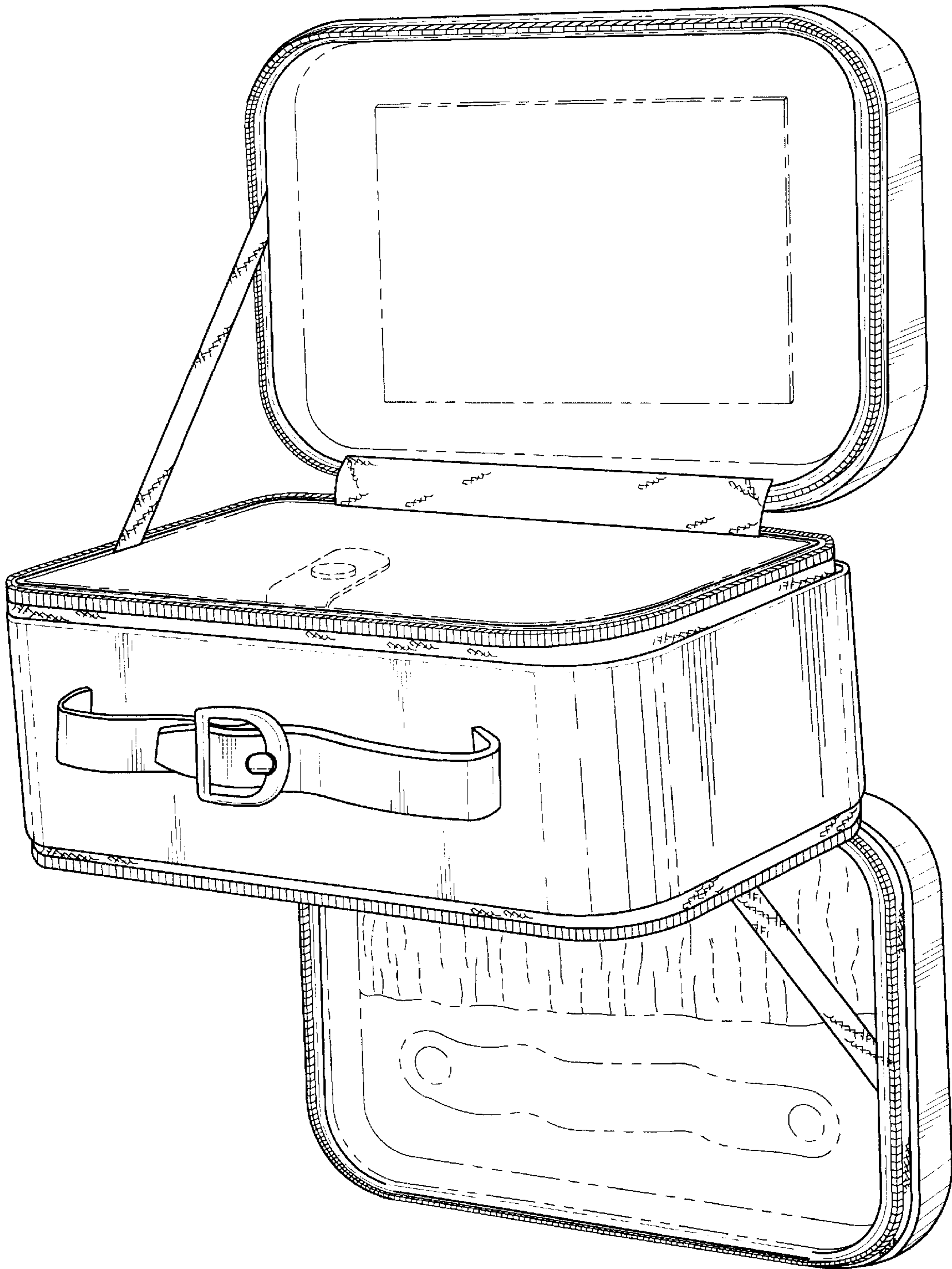


FIG. 7