



US00D467426S

(12) **United States Design Patent**
Hardigg et al.

(10) **Patent No.:** **US D467,426 S**

(45) **Date of Patent:** **** Dec. 24, 2002**

(54) **TRANSPORT CASE**

(75) Inventors: **James S. Hardigg**, Conway, MA (US);
Mark C. Gaydos, Greenfield, MA
(US); **Stanley Lewandowski**, Shelburne
Falls, MA (US)

(73) Assignee: **Hardigg Industries, Inc.**, South
Deerfield, MA (US)

(**) Term: **14 Years**

(21) Appl. No.: **29/155,016**

(22) Filed: **Jan. 31, 2002**

(51) **LOC (7) Cl.** **03-01**

(52) **U.S. Cl.** **D3/279; D3/276**

(58) **Field of Search** D3/272, 273, 274,
D3/276, 279, 281, 282, 291, 294, 905;
206/349, 372, 373; 190/18 A, 100, 110;
D34/19

(56) **References Cited**

U.S. PATENT DOCUMENTS

- D275,822 S * 10/1984 Gatland et al. D3/282
- D328,188 S * 7/1992 Jacobsen et al. D3/270
- D347,324 S * 5/1994 Dickinson D3/272

- D353,048 S * 12/1994 VanSkiver et al. D3/273
- D374,772 S * 10/1996 Hotaling et al. D3/273
- D413,203 S * 8/1999 Zurwelle et al. D3/276
- D419,767 S * 2/2000 Richardson et al. D3/273
- D439,407 S * 3/2001 Parker D3/276
- D441,954 S * 5/2001 Parker D3/273

* cited by examiner

Primary Examiner—Philip S. Hyder

(74) *Attorney, Agent, or Firm*—McCormick, Paulding &
Huber LLP

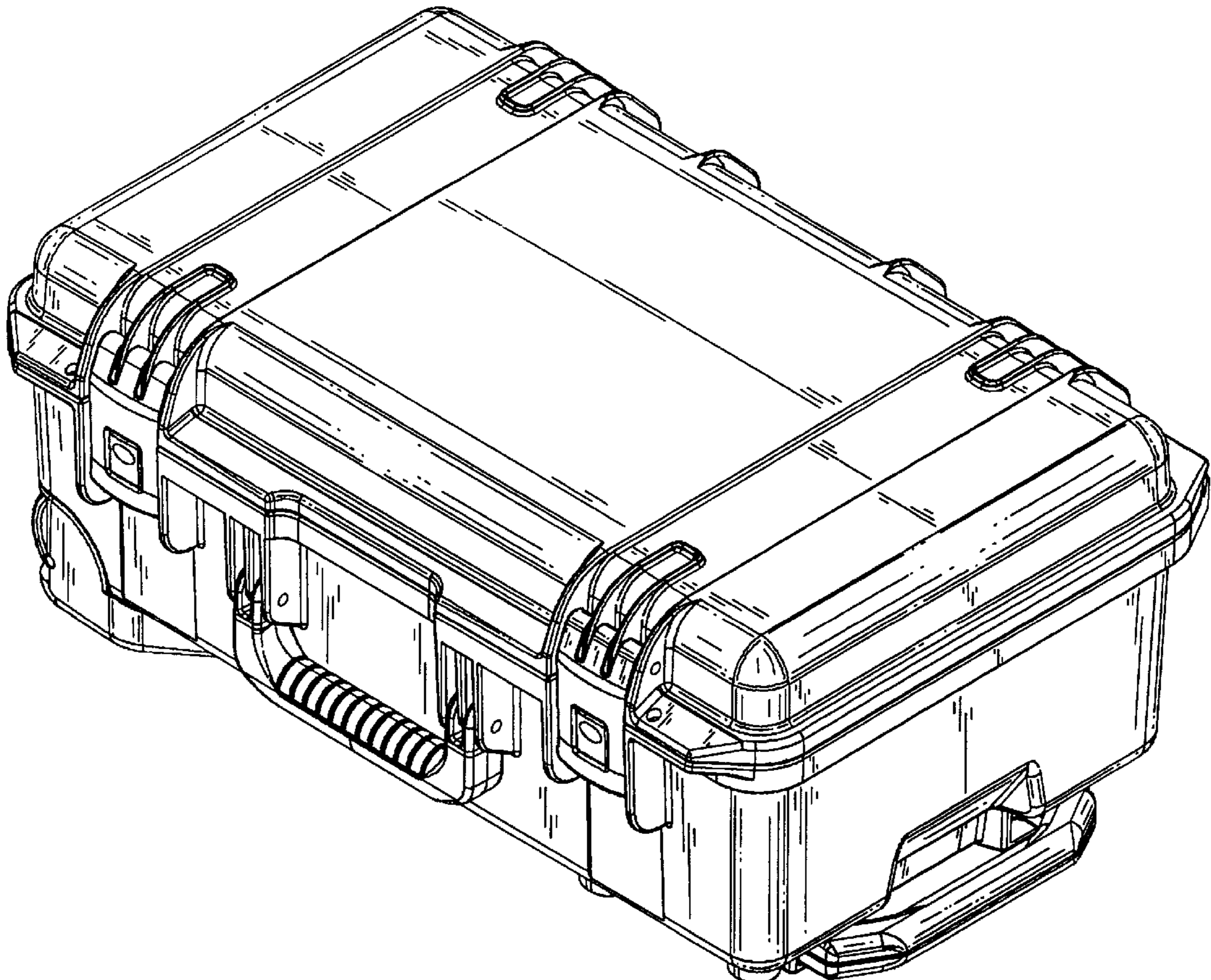
(57) **CLAIM**

The ornamental design for a transport case, as shown and
described.

DESCRIPTION

FIG. 1 is a top right perspective view of the transport case
showing our new design;
FIG. 2 is a top plan view of the case of FIG. 1;
FIG. 3 is a bottom plan view of the case of FIG. 1;
FIG. 4 is a right end view of the case of FIG. 1;
FIG. 5 is a left end view of the case of FIG. 1;
FIG. 6 is a front elevation view of the case of FIG. 1; and,
FIG. 7 is a rear elevation view of the case of FIG. 1.

1 Claim, 4 Drawing Sheets



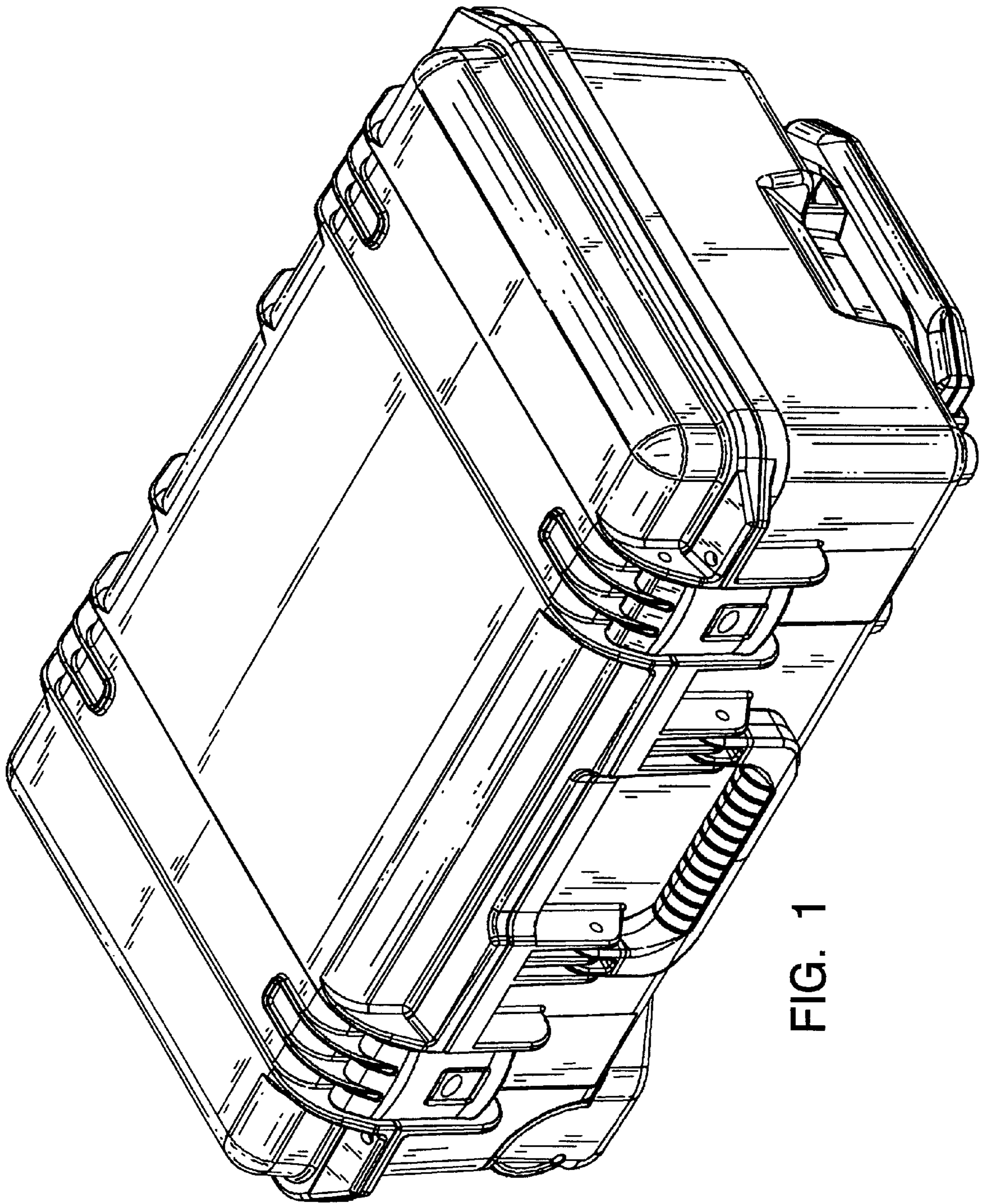


FIG. 1

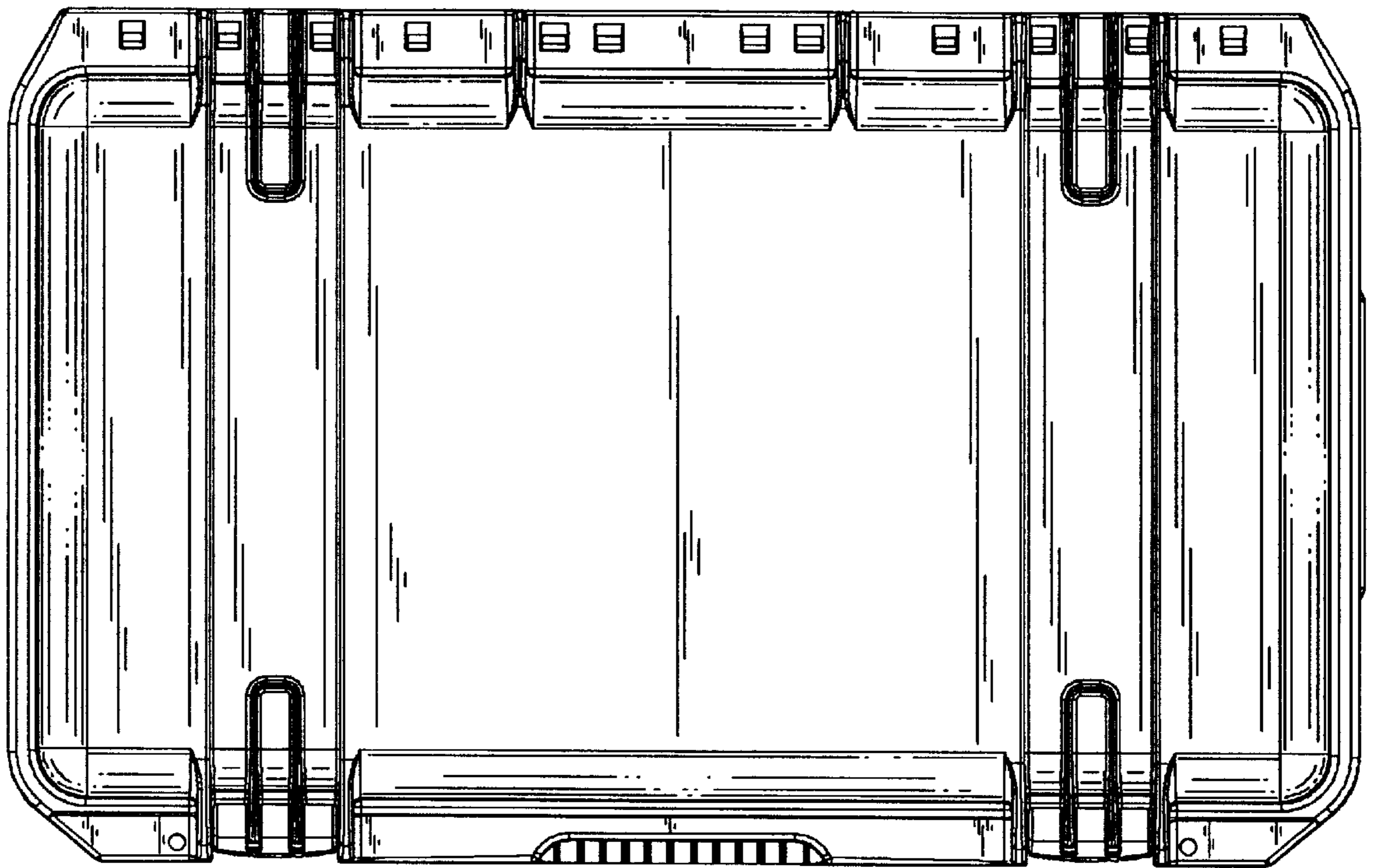


FIG. 2

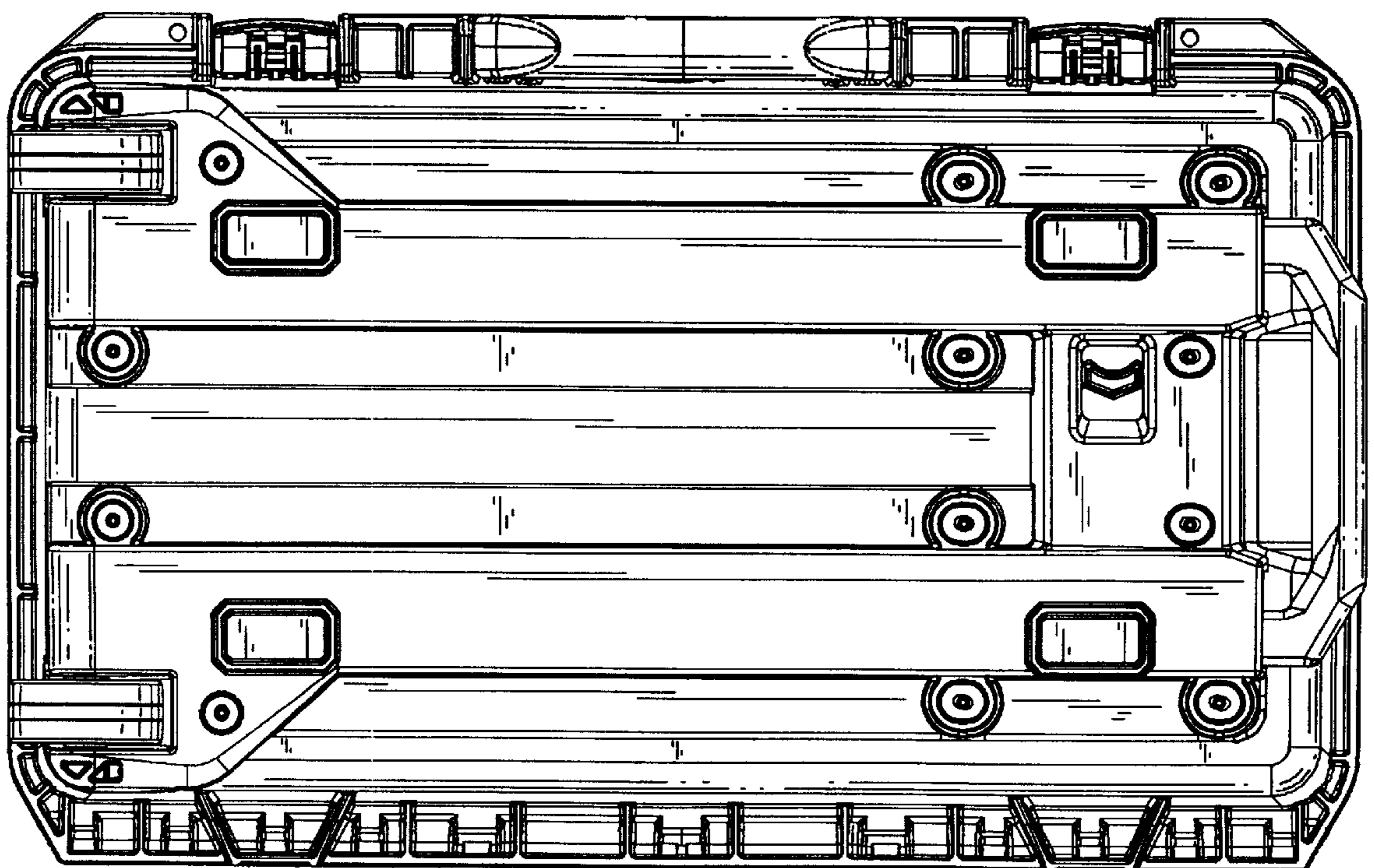


FIG. 3

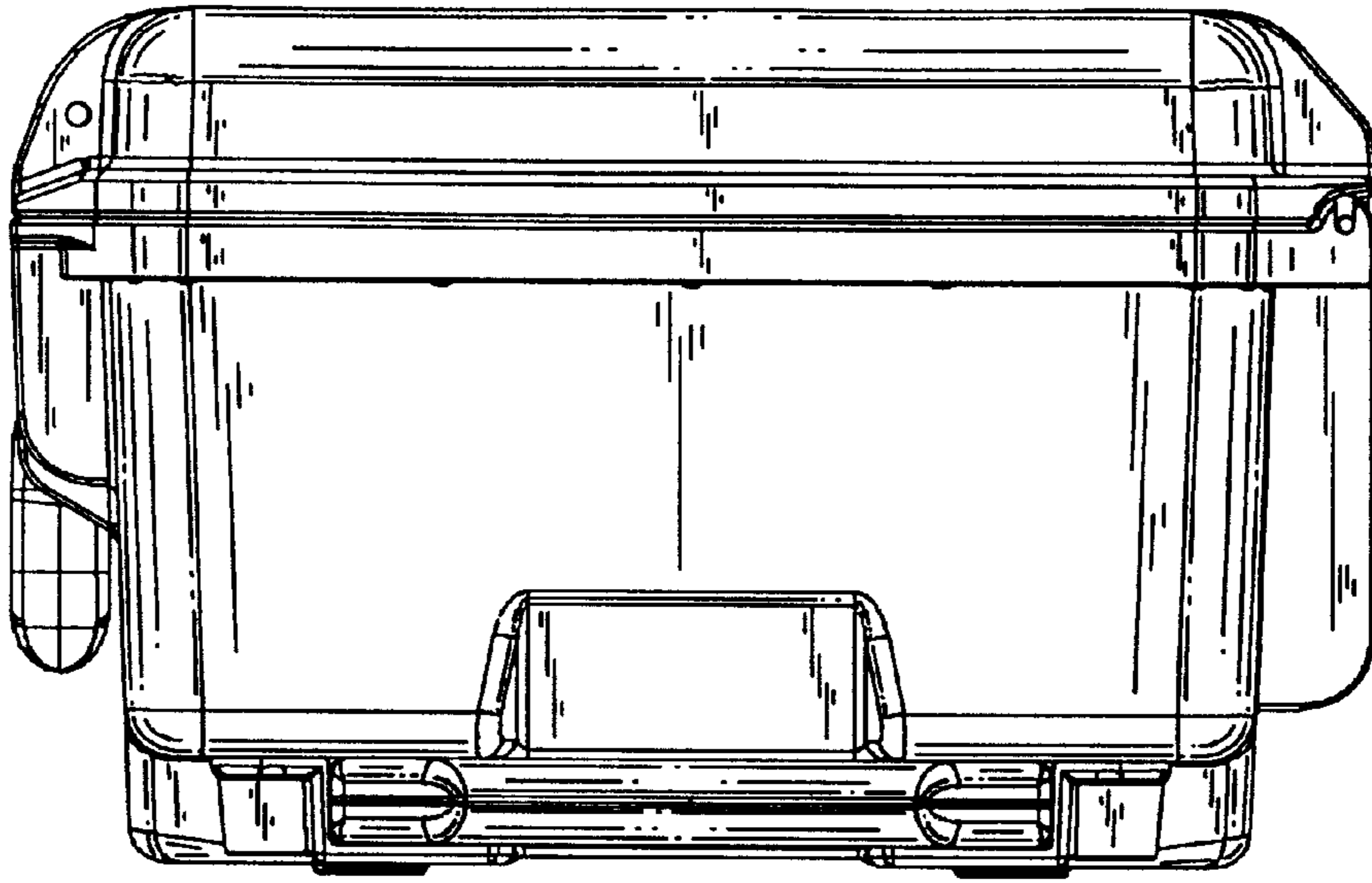


FIG. 4

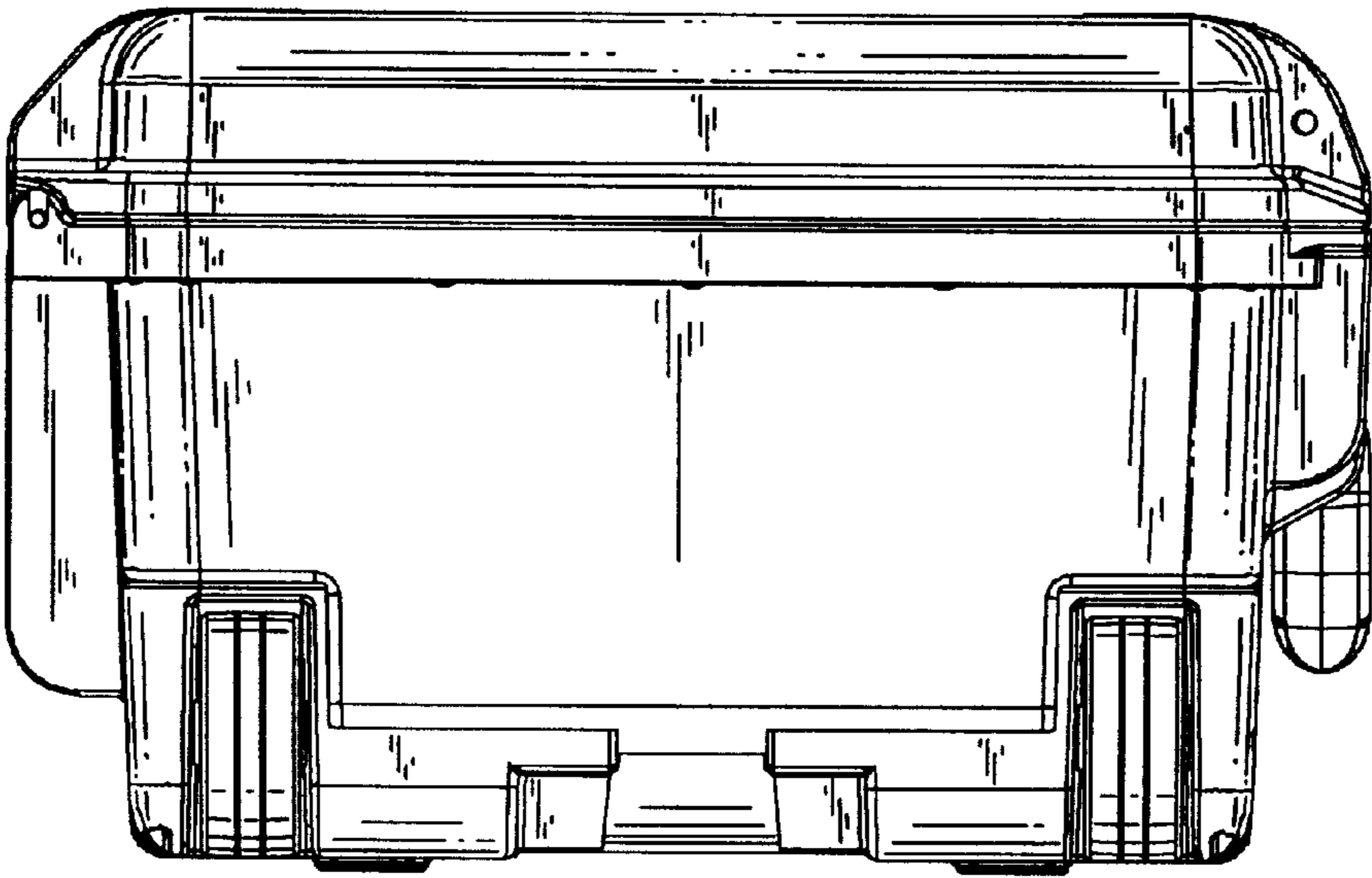


FIG. 5

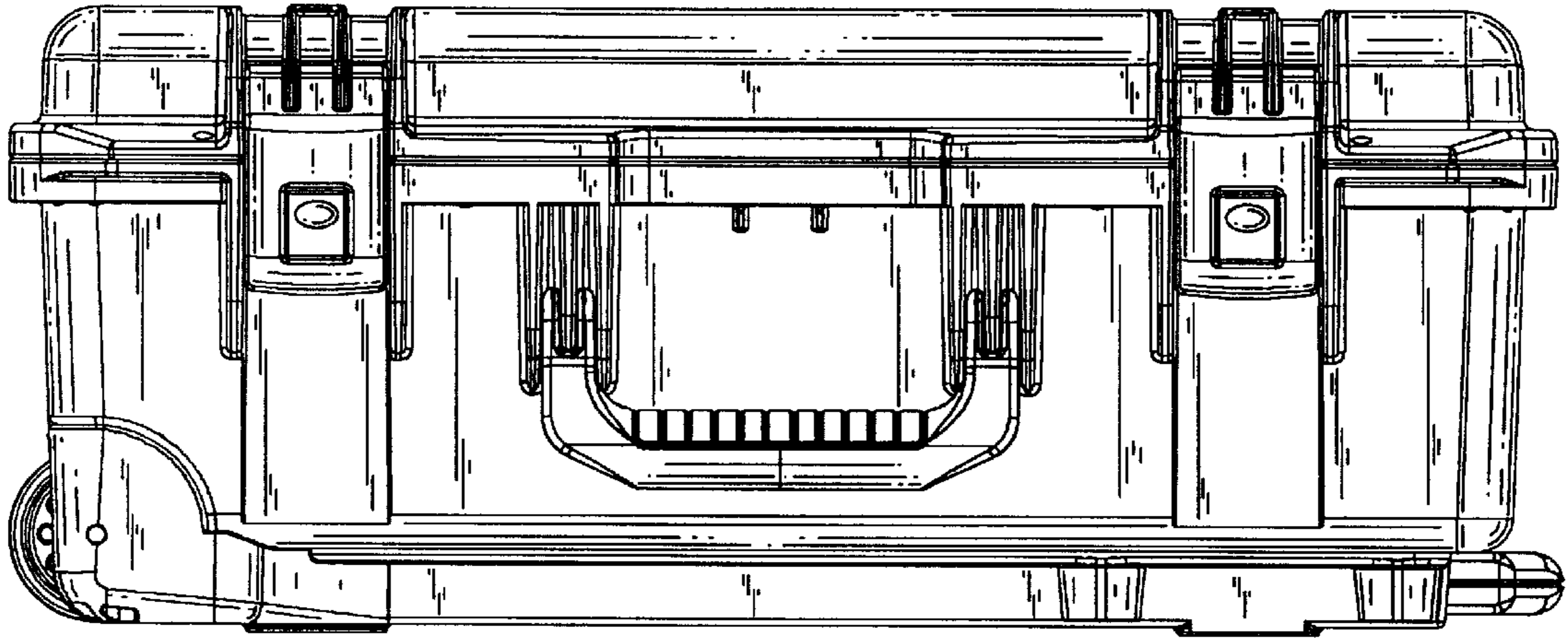


FIG. 6

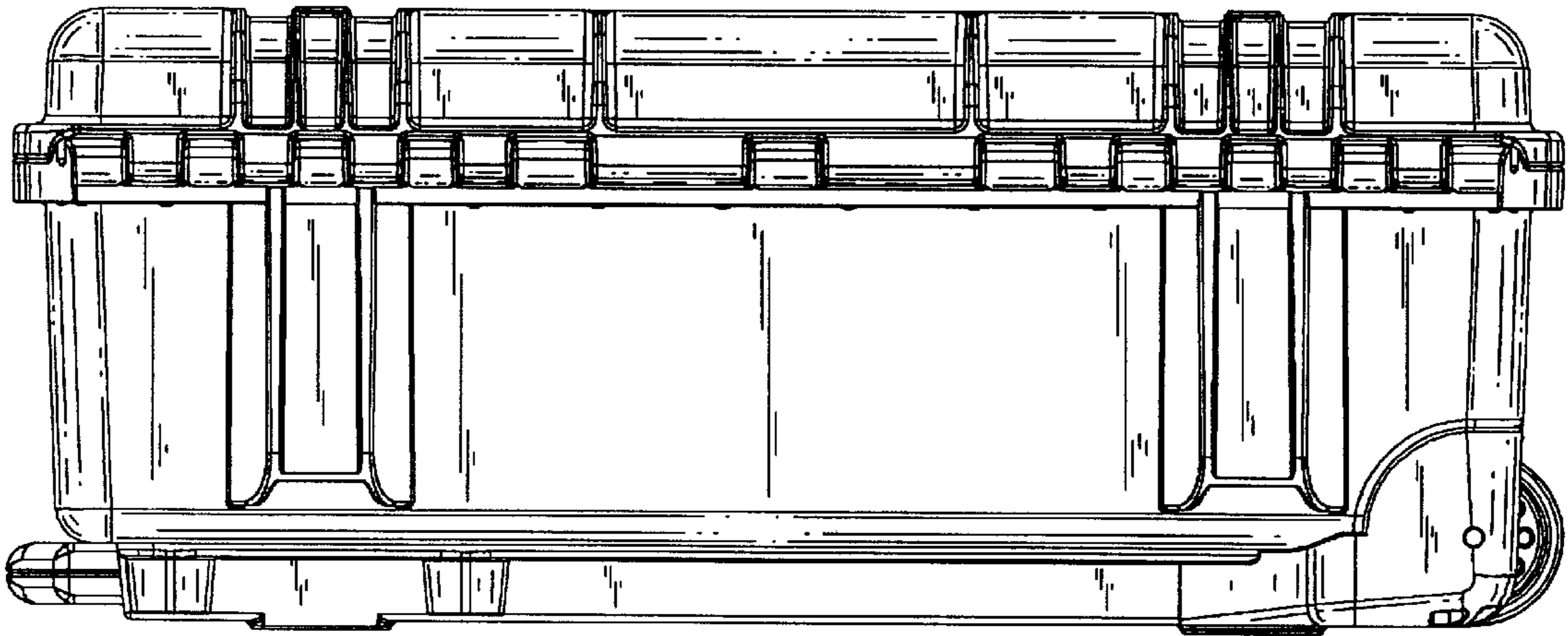


FIG. 7