



US00D467423S

(12) **United States Design Patent**
Wolf

(10) **Patent No.:** **US D467,423 S**

(45) **Date of Patent:** **** Dec. 24, 2002**

(54) **LUGGAGE-LIKE JEWELRY CASE**

(75) **Inventor:** **Simon Wolf, Malibu, CA (US)**

(73) **Assignee:** **Wolf Designs, Inc., Malibu, CA (US)**

(**) **Term:** **14 Years**

(21) **Appl. No.:** **29/157,228**

(22) **Filed:** **Mar. 16, 2002**

(51) **LOC (7) Cl.** **03-01**

(52) **U.S. Cl.** **D3/276; D3/294; D3/900;**
D3/903

(58) **Field of Search** D3/273, 276, 284,
D3/294, 295, 901, 903; 190/100, 109, 110,
111, 112, 113; 206/6.1, 235, 566, 581

(56) **References Cited**

U.S. PATENT DOCUMENTS

D202,160 S	*	8/1965	Territo	D3/284
D288,863 S	*	3/1987	Vuitton	D3/289
D308,137 S	*	5/1990	Grecchi	D3/900
5,035,319 A	*	7/1991	Kunisch	206/566
D378,164 S	*	2/1997	Lee	D3/276
5,676,240 A	*	10/1997	Cziraky et al.	206/1.7
D388,251 S	*	12/1997	Smith	D3/291
5,692,605 A	*	12/1997	Lai	206/566
D415,614 S	*	10/1999	Akaike et al.	D3/272
D417,783 S	*	12/1999	Wolf	D3/275

D443,137 S * 6/2001 Lai D28/83

D451,671 S * 12/2001 Wolf D3/275

D454,687 S * 3/2002 Wolf D3/275

* cited by examiner

Primary Examiner—Philip S. Hyder

(74) *Attorney, Agent, or Firm*—Cislo & Thomas LLP

(57) **CLAIM**

The ornamental design for a luggage-like jewelry case, as shown and described.

DESCRIPTION

FIG. 1. Is a perspective view of my luggage-like jewelry case shown in the open position;

FIG. 2. Is a view similar to FIG. 1, but showing the case in the closed position;

FIG. 3. Is a right side elevational view of the case shown in FIG. 2 with the left side elevational view being a mirror image thereof;

FIG. 4. Is a top view of the case shown in FIG. 2;

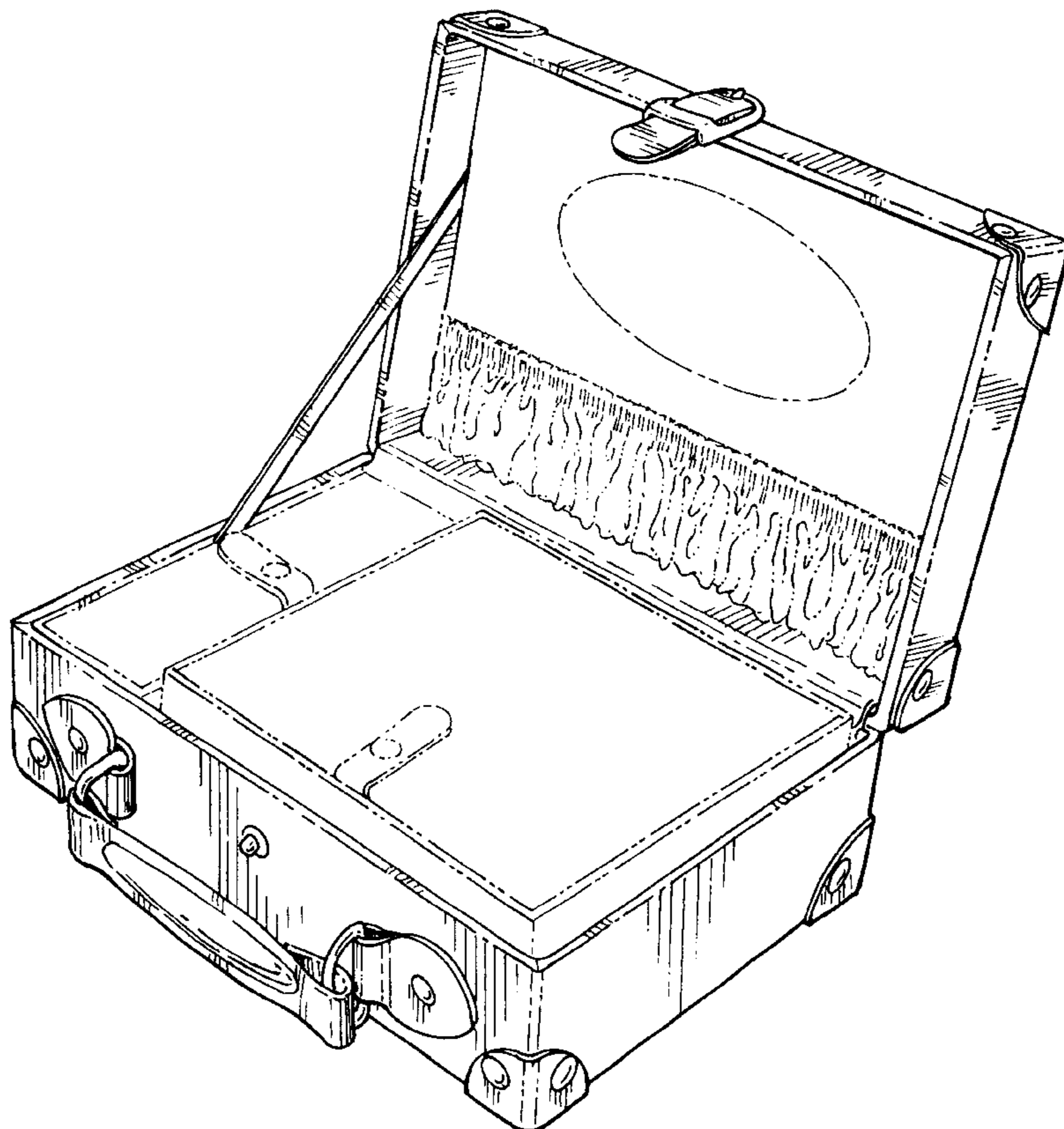
FIG. 5. Is a front view of the case shown in FIG. 2;

FIG. 6. Is a bottom view of the case shown in FIG. 2; and,

FIG. 7. Is a rear view of the case shown in FIG. 2.

The broken line showing of the interior structure in FIG. 1 is for illustrative purposes only and forms no part of the claimed design.

1 Claim, 4 Drawing Sheets



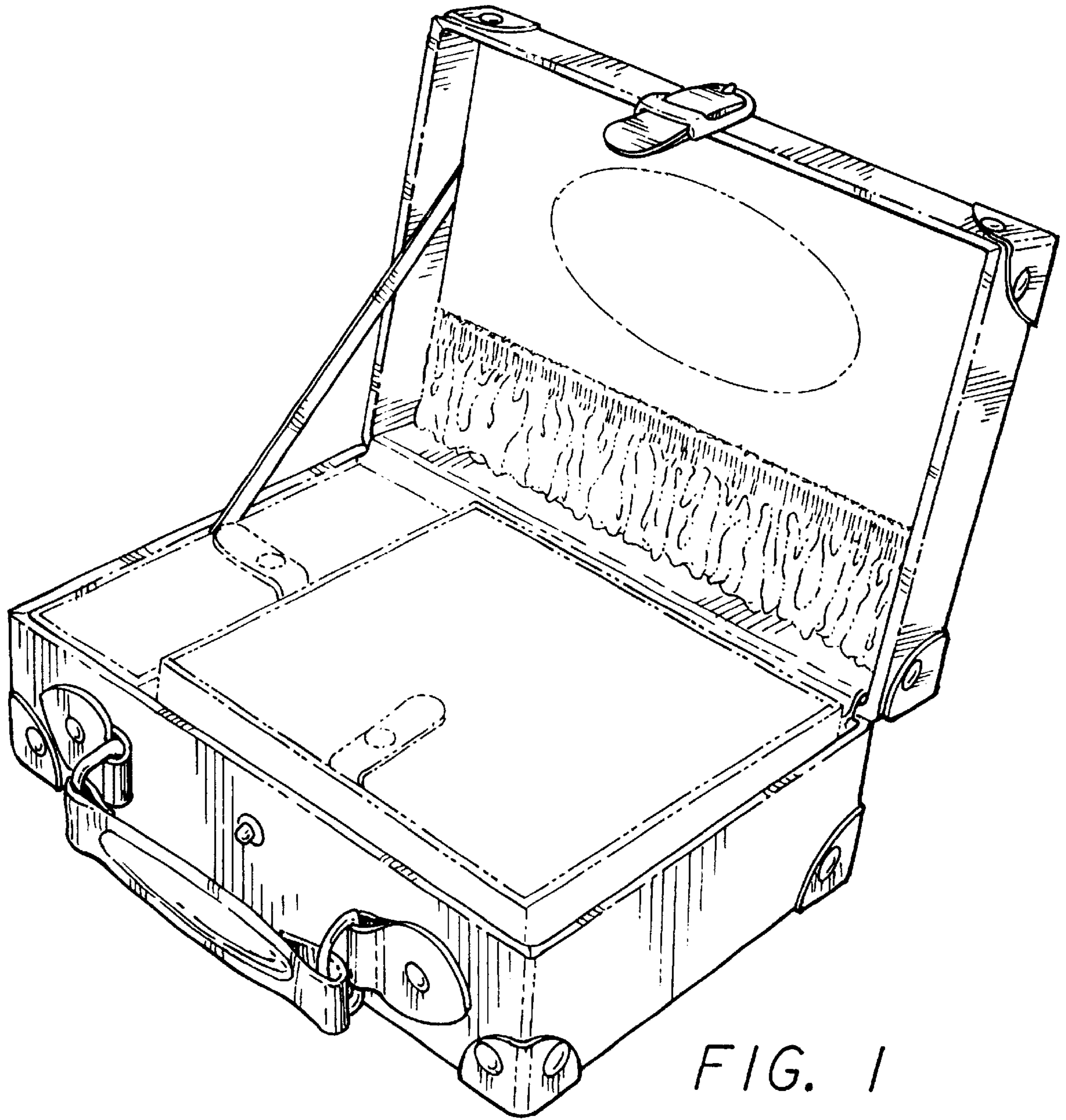


FIG. 1

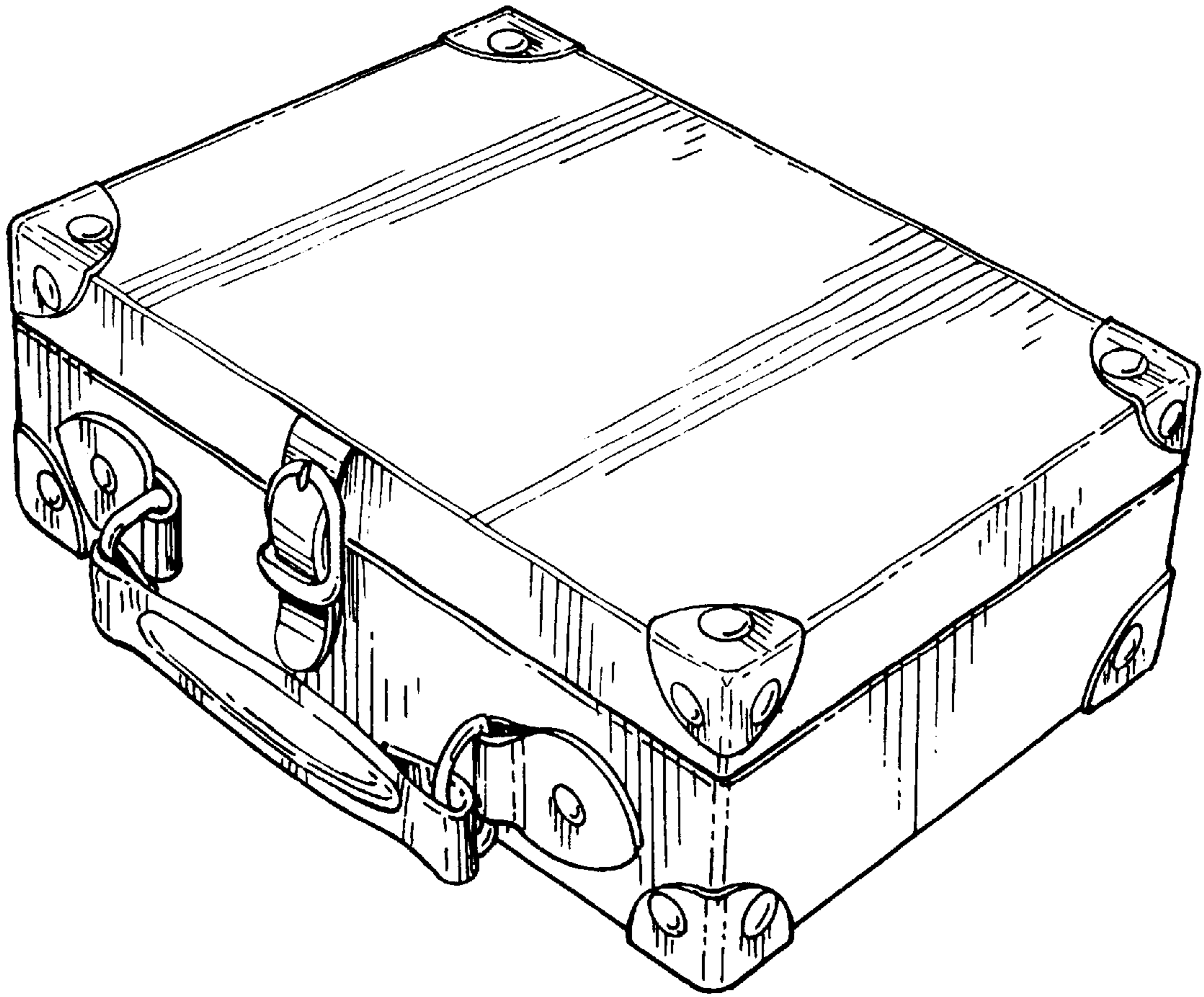


FIG. 2

FIG. 3

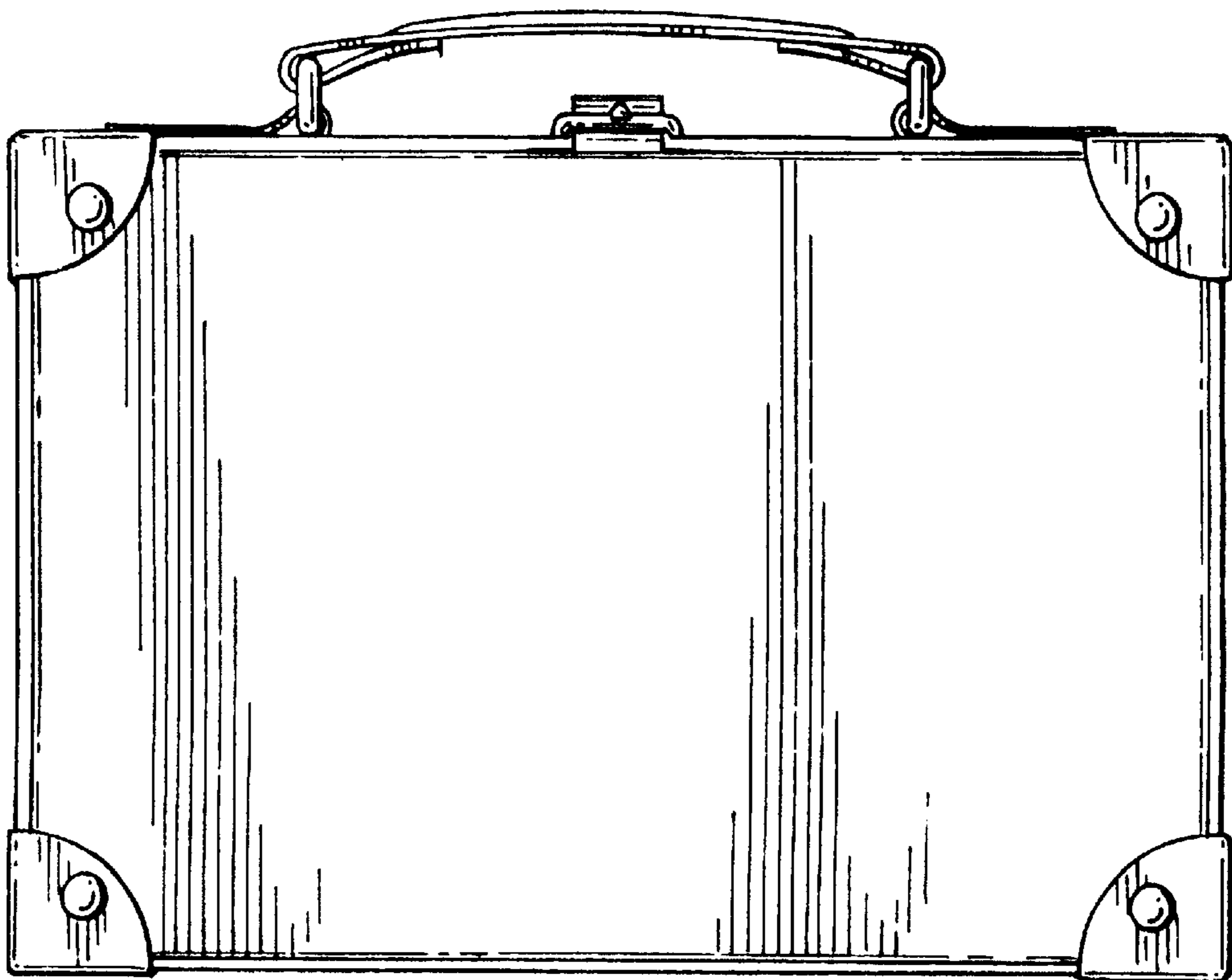
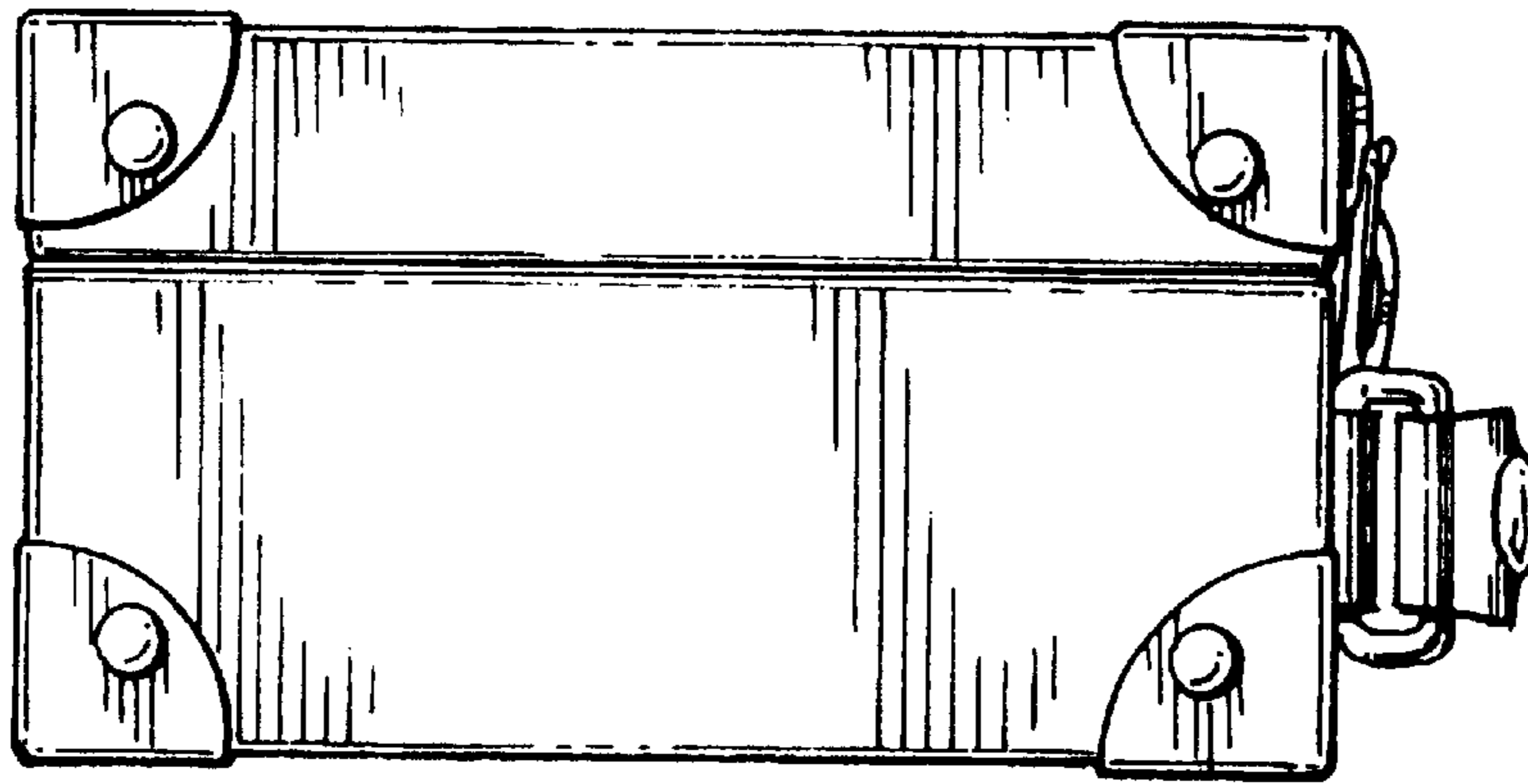


FIG. 4

FIG. 5

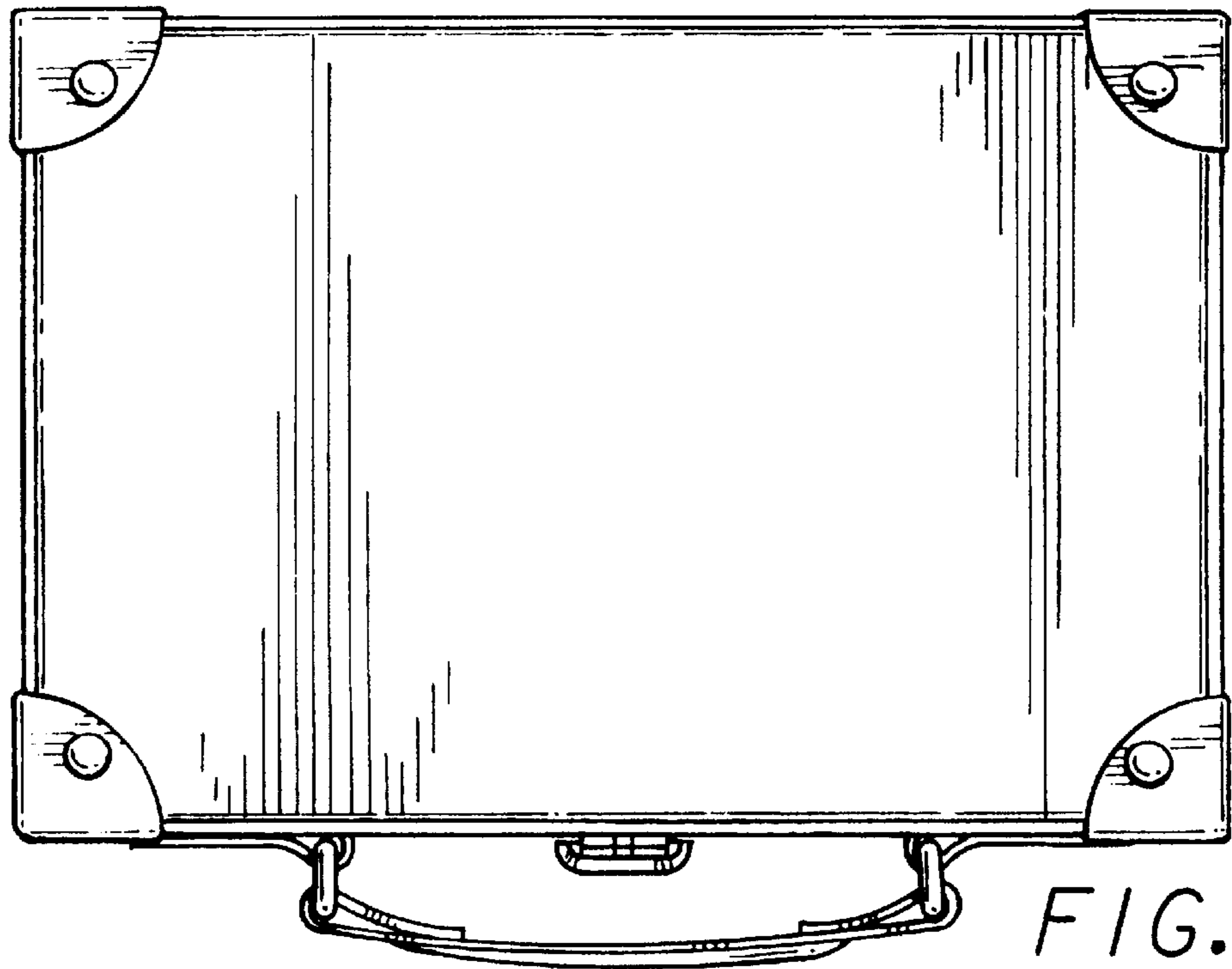
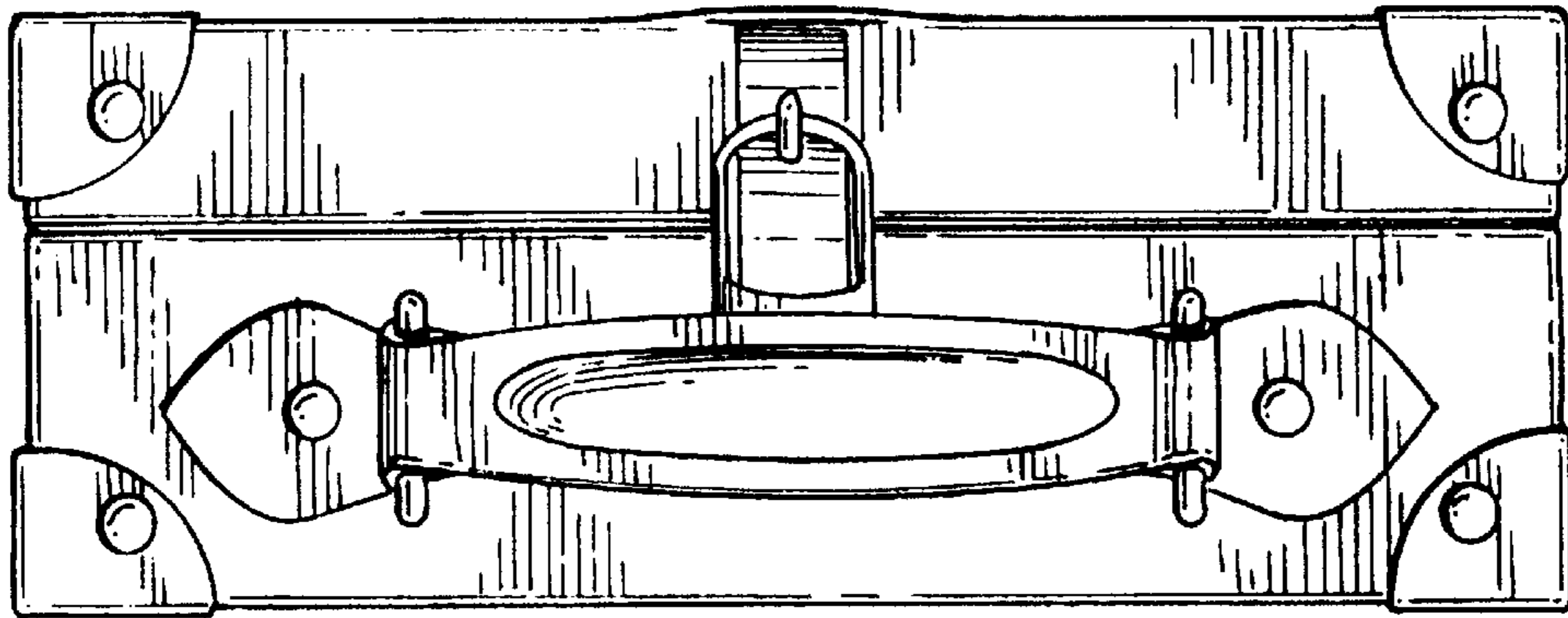


FIG. 6

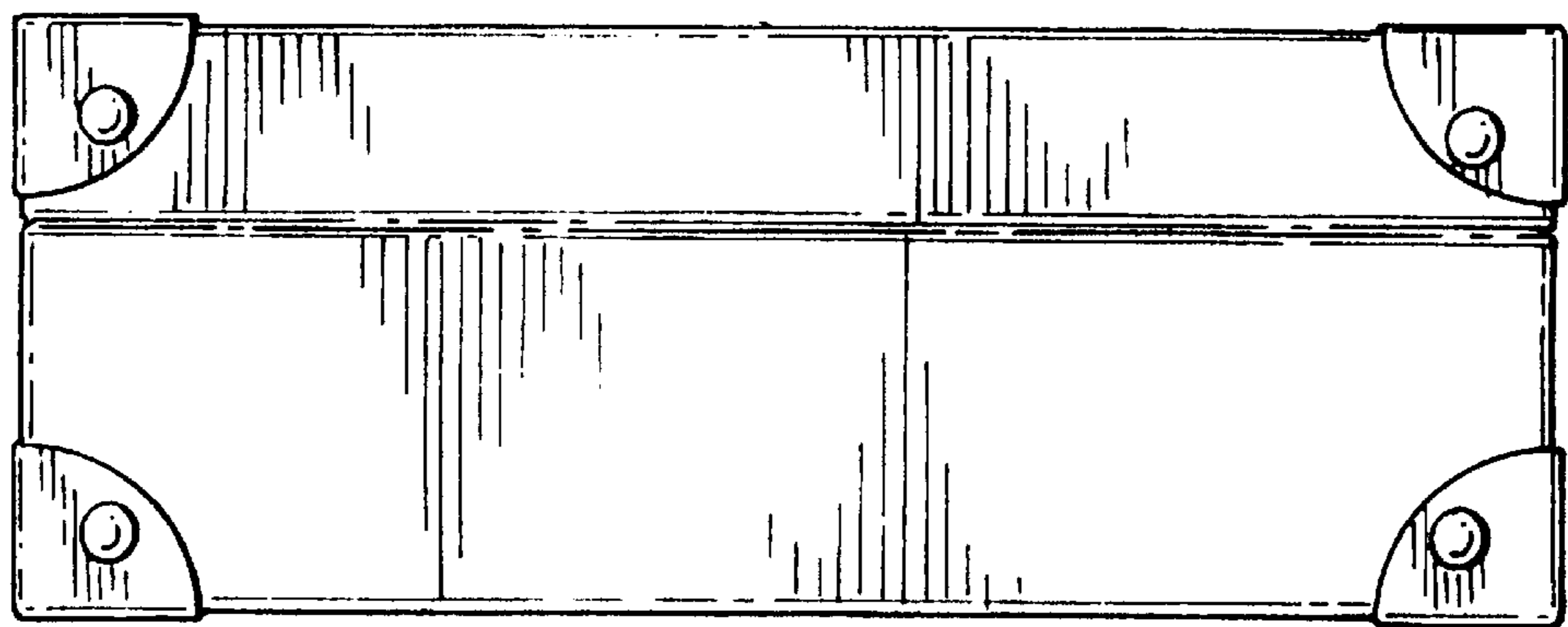


FIG. 7