



US00D467422S

(12) **United States Design Patent**
Fajers et al.

(10) **Patent No.:** **US D467,422 S**

(45) **Date of Patent:** **** Dec. 24, 2002**

(54) **BEARING STORAGE BOX**

D440,042 S * 4/2001 Holahan D3/272
6,318,586 B1 * 11/2001 Frankenberg 206/508

(75) Inventors: **Christian Fajers**, Gånghester (SE);
Anders Sahlgren, Mölndal (SE); **Lars Stigsjö**, Göteborg (SE)

* cited by examiner

(73) Assignee: **Aktiebolaget SKF**, Gothenburg (SE)

Primary Examiner—Philip S. Hyder
(74) *Attorney, Agent, or Firm*—Burns Doane Swecker & Mathis L.L.P.

(**) Term: **14 Years**

(57) **CLAIM**

(21) Appl. No.: **29/147,743**

The ornamental design for a bearing storage box, as shown and described.

(22) Filed: **Sep. 6, 2001**

(30) **Foreign Application Priority Data**

DESCRIPTION

Mar. 6, 2001 (SE) 01-0411

FIG. 1 is a top, side perspective view showing a bearing storage box according to our new design;
FIG. 2 is a bottom, side perspective view thereof;
FIG. 3 is a top plan view thereof;
FIG. 4 is a bottom plan view thereof;
FIG. 5 is a top, side perspective view showing an upper part of the bearing storage box shown in FIG. 1, with the lower part removed;
FIG. 6 is a top plan view thereof;
FIG. 7 is a bottom, side perspective view thereof;
FIG. 8 is a top, side perspective view of the lower part of the bearing storage box, shown in FIG. 1, with the upper part removed;
FIG. 9 is a bottom plan view thereof;
FIG. 10 is a top plan view thereof; and,
FIG. 11 is a bottom, side perspective view thereof.

(51) **LOC (7) Cl.** **03-01**

(52) **U.S. Cl.** **D3/273; D3/302**

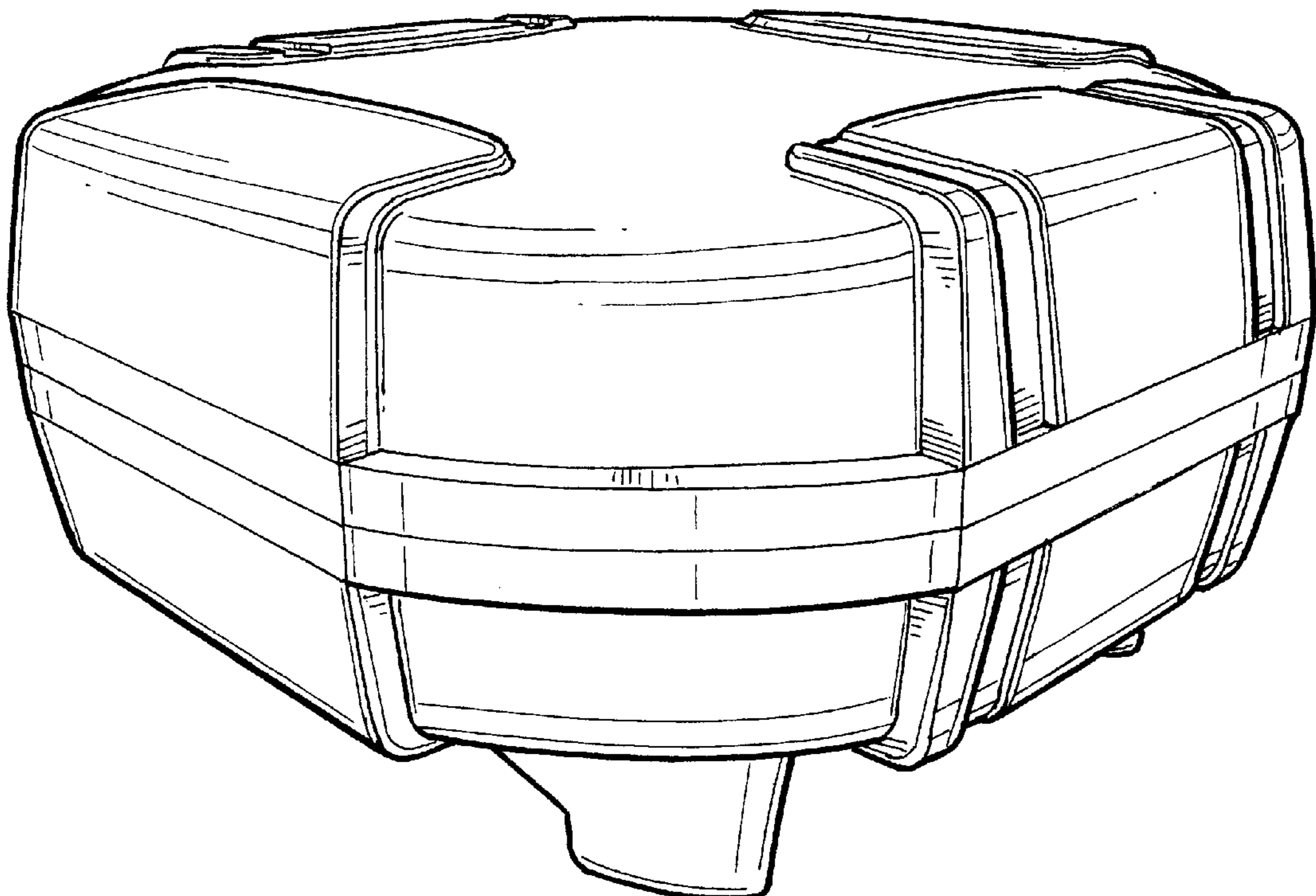
(58) **Field of Search** D3/269, 272, 273,
D3/294, 302; D9/420, 423, 424; 206/508,
509, 511, 515

(56) **References Cited**

U.S. PATENT DOCUMENTS

- 3,419,184 A * 12/1968 Asenbauer 206/508
- 3,913,741 A * 10/1975 Pirie 206/508
- D327,646 S * 7/1992 Hardigg et al. D9/424
- D394,550 S * 5/1998 Tanji D3/273
- 5,842,575 A * 12/1998 Dressen et al. 206/454
- 5,992,638 A * 11/1999 Gregerson et al. 206/454
- D430,395 S * 9/2000 Holahan D3/272
- D432,787 S * 10/2000 Holahan D3/272

1 Claim, 6 Drawing Sheets



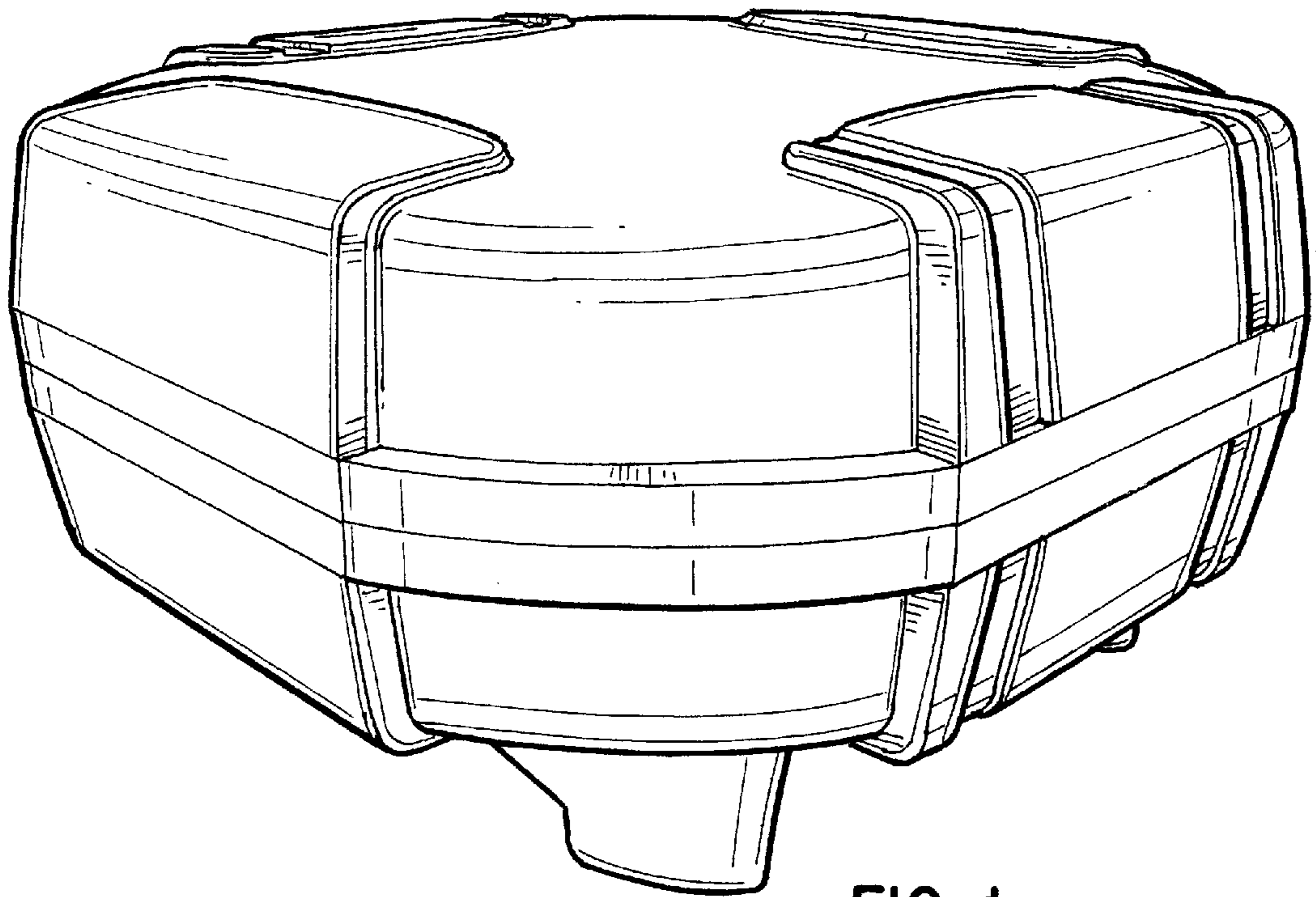


FIG. 1

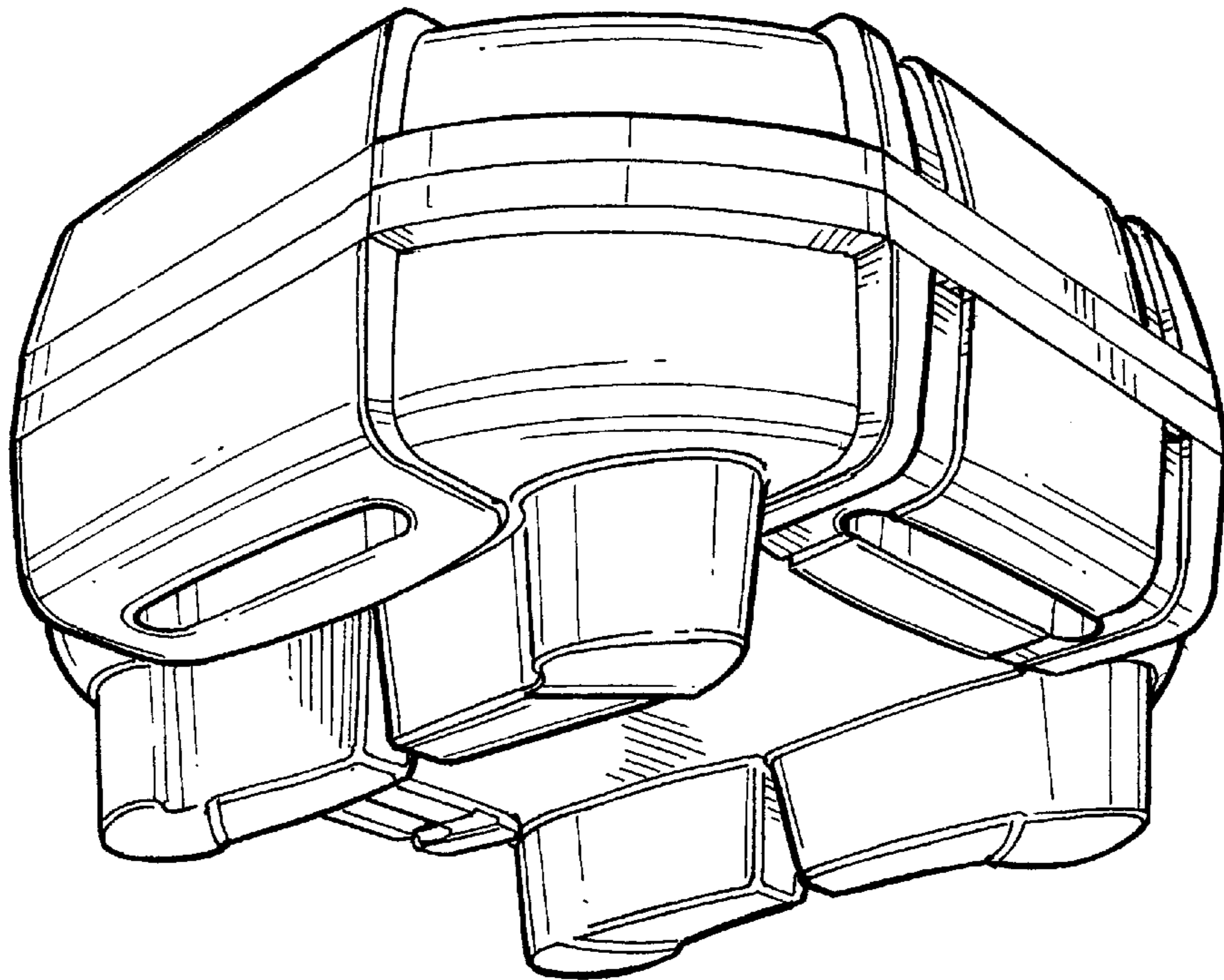


FIG. 2

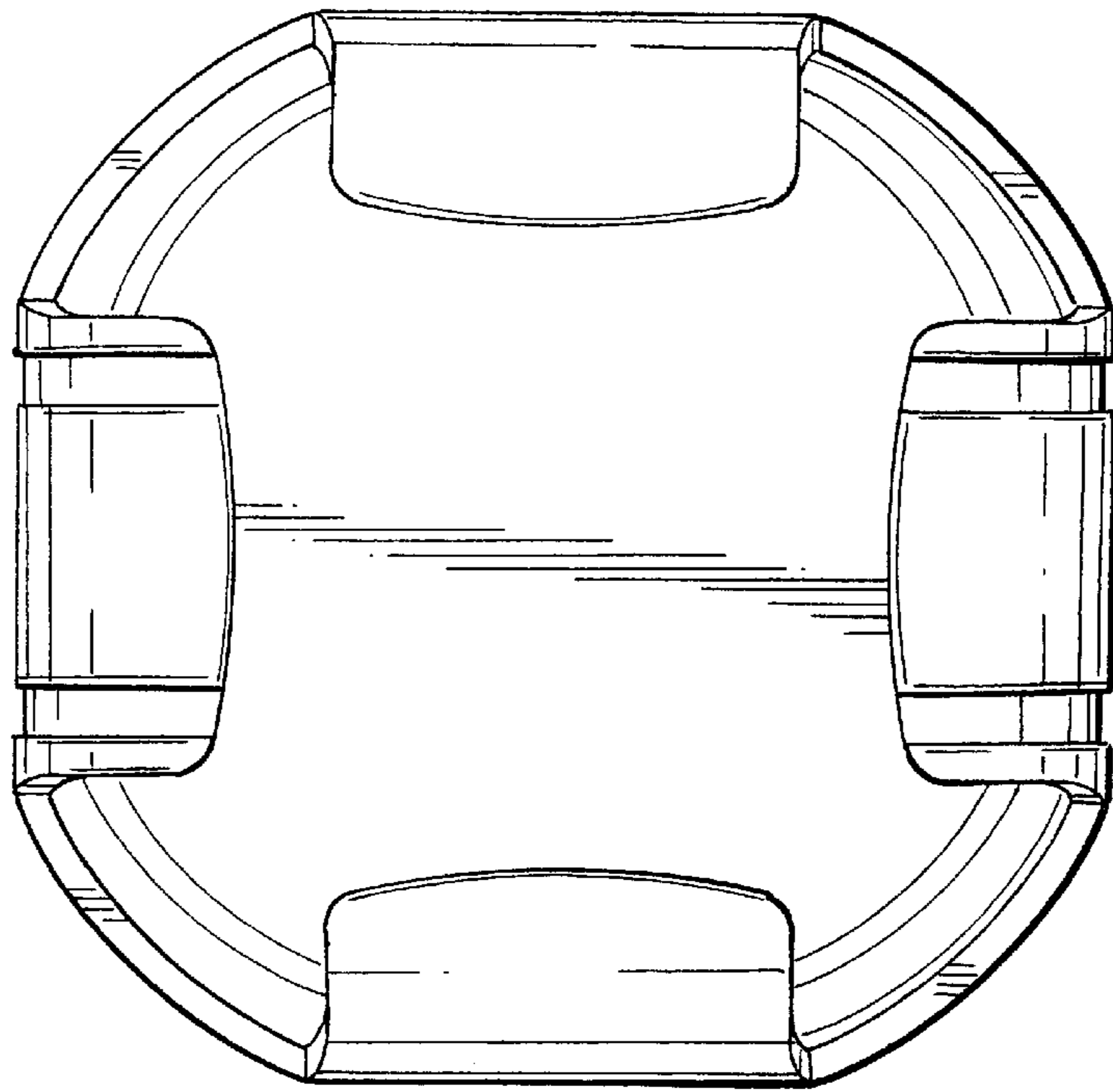


FIG. 3

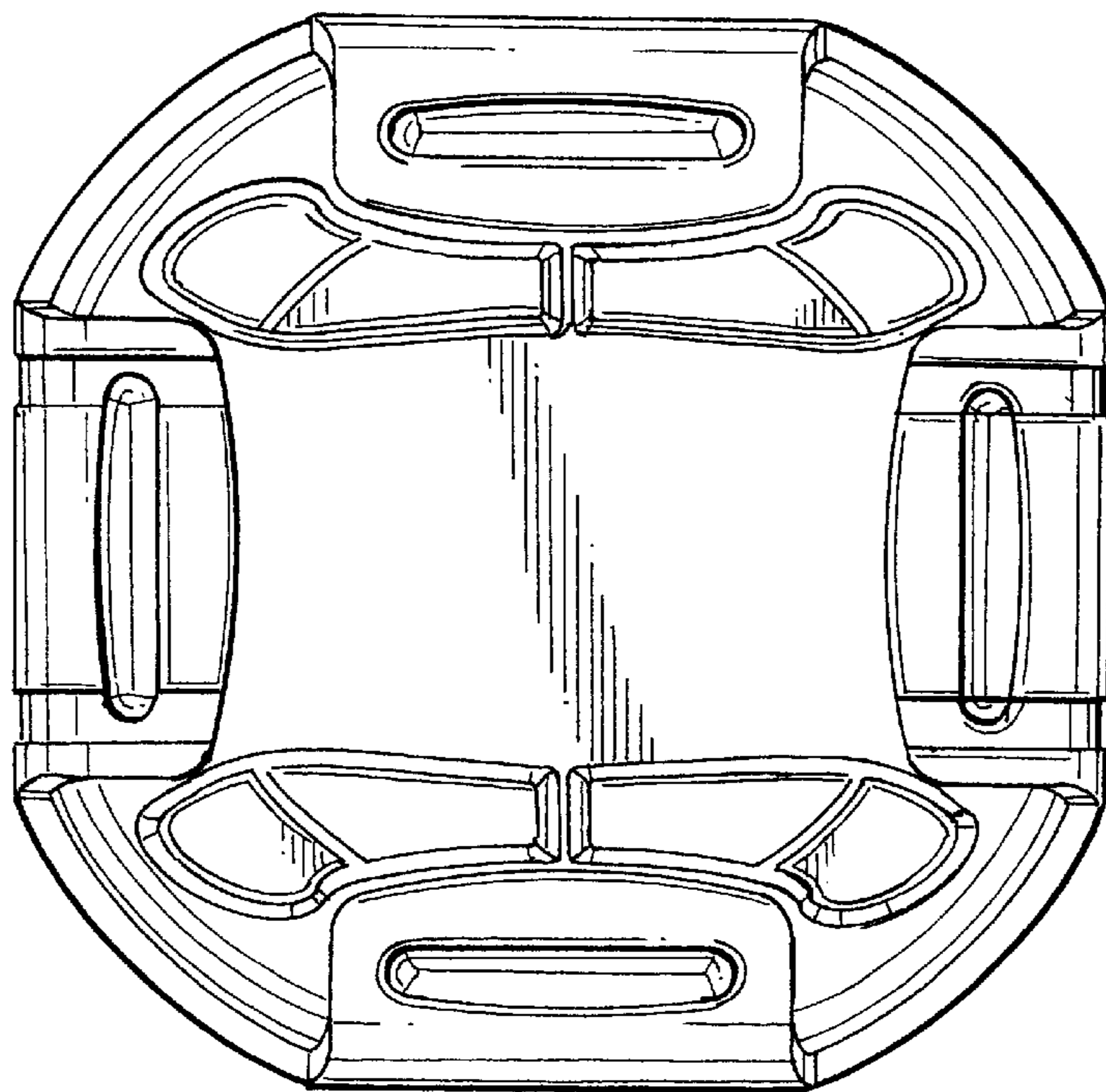


FIG. 4

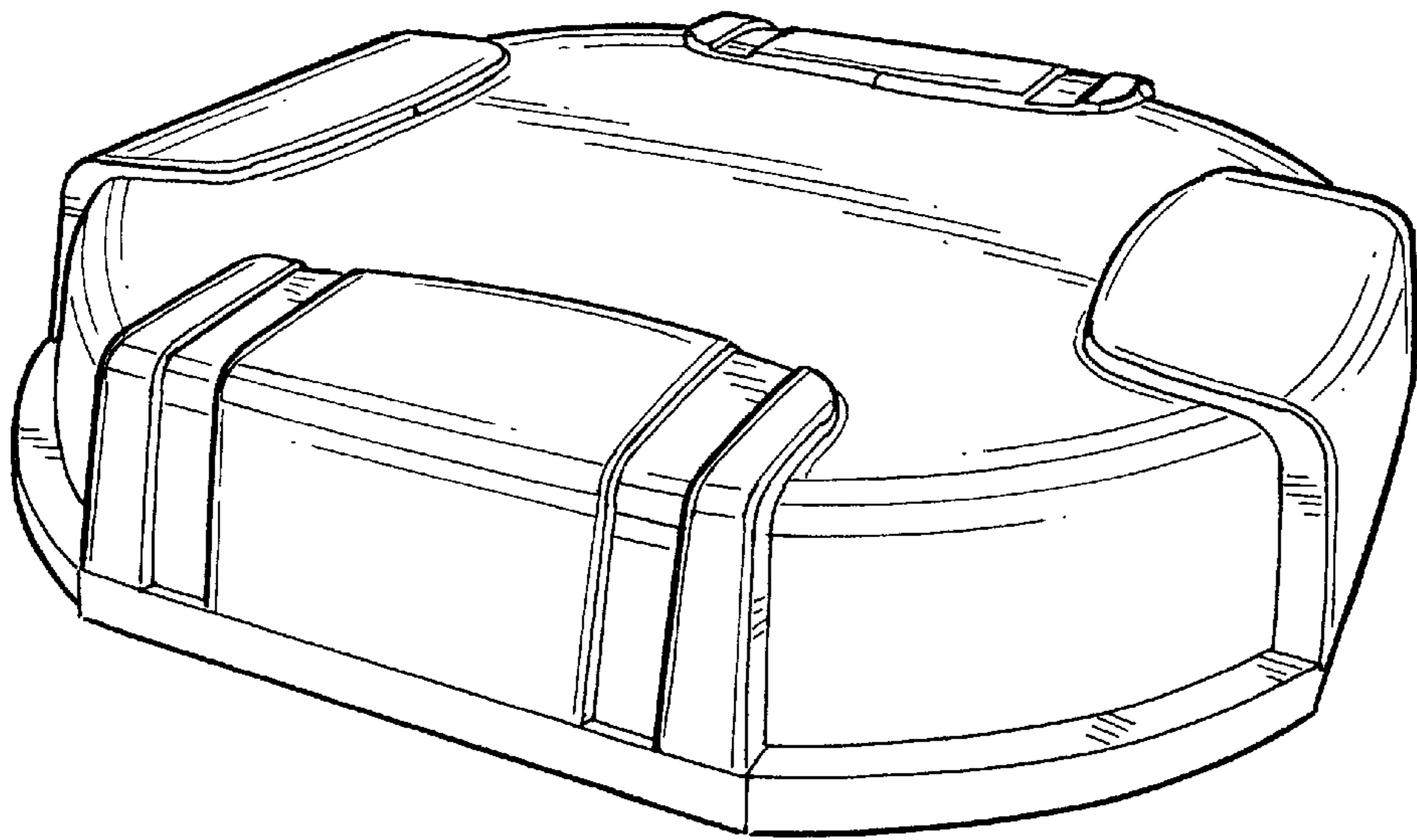


FIG. 5

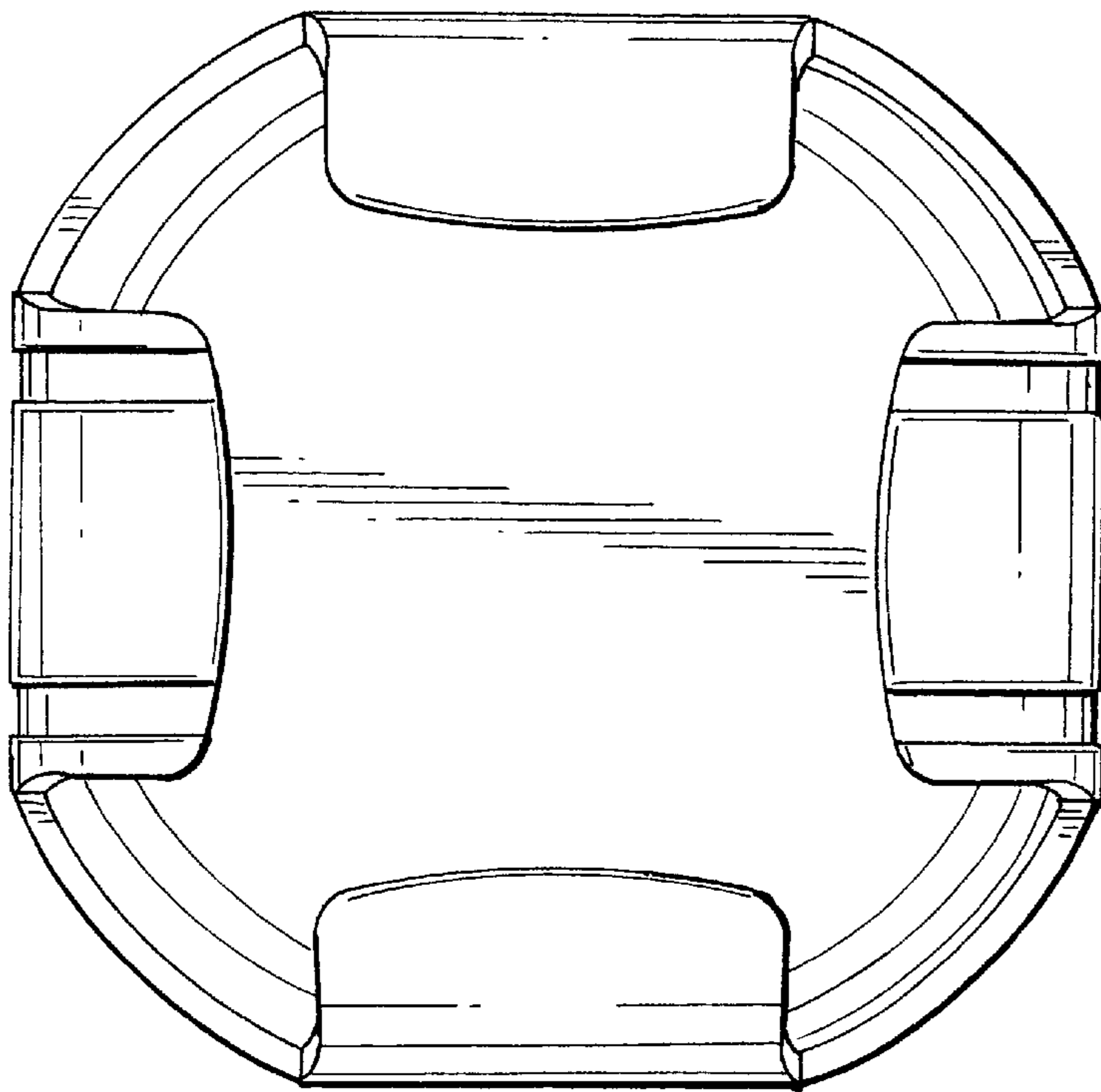


FIG. 6

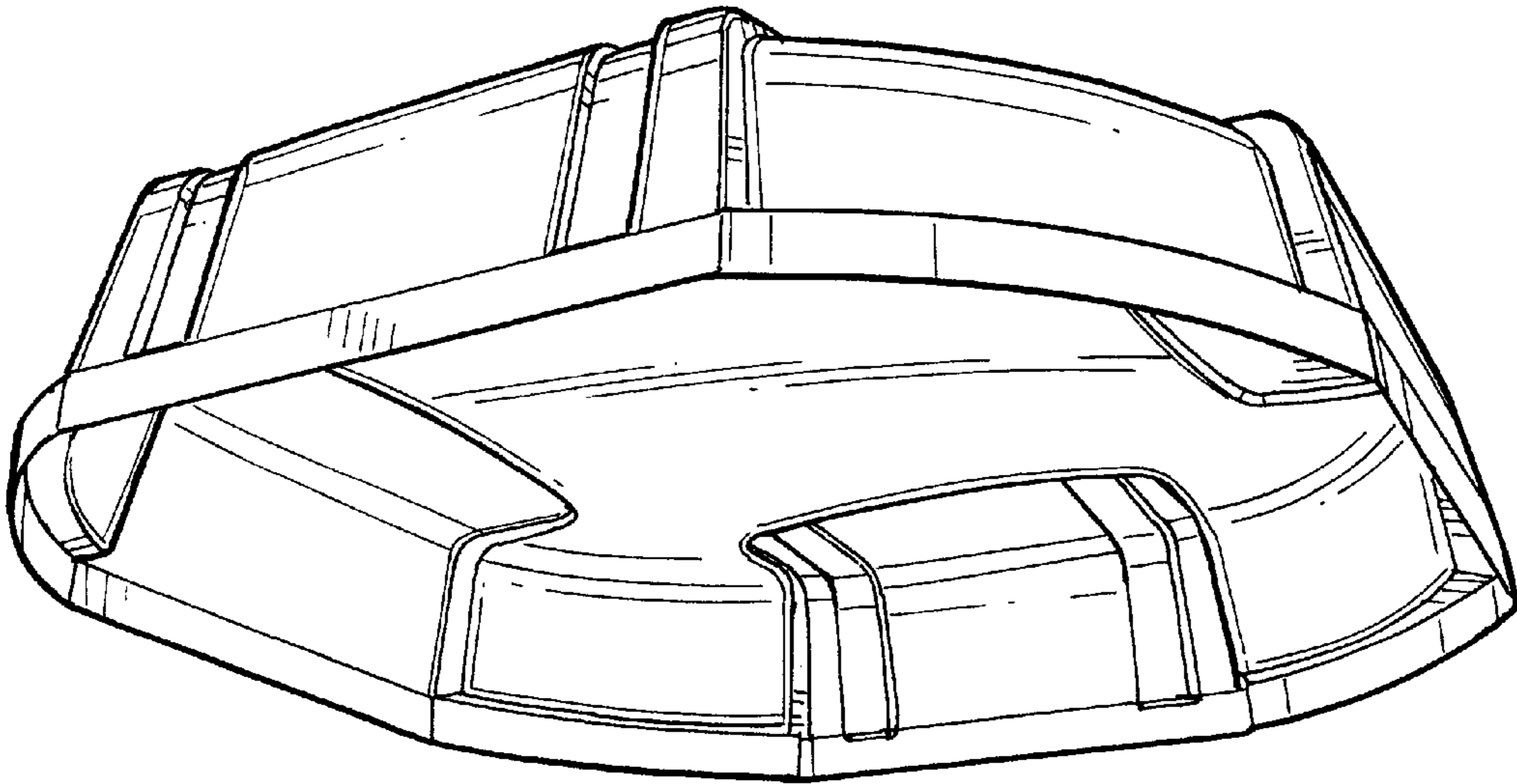


FIG. 7

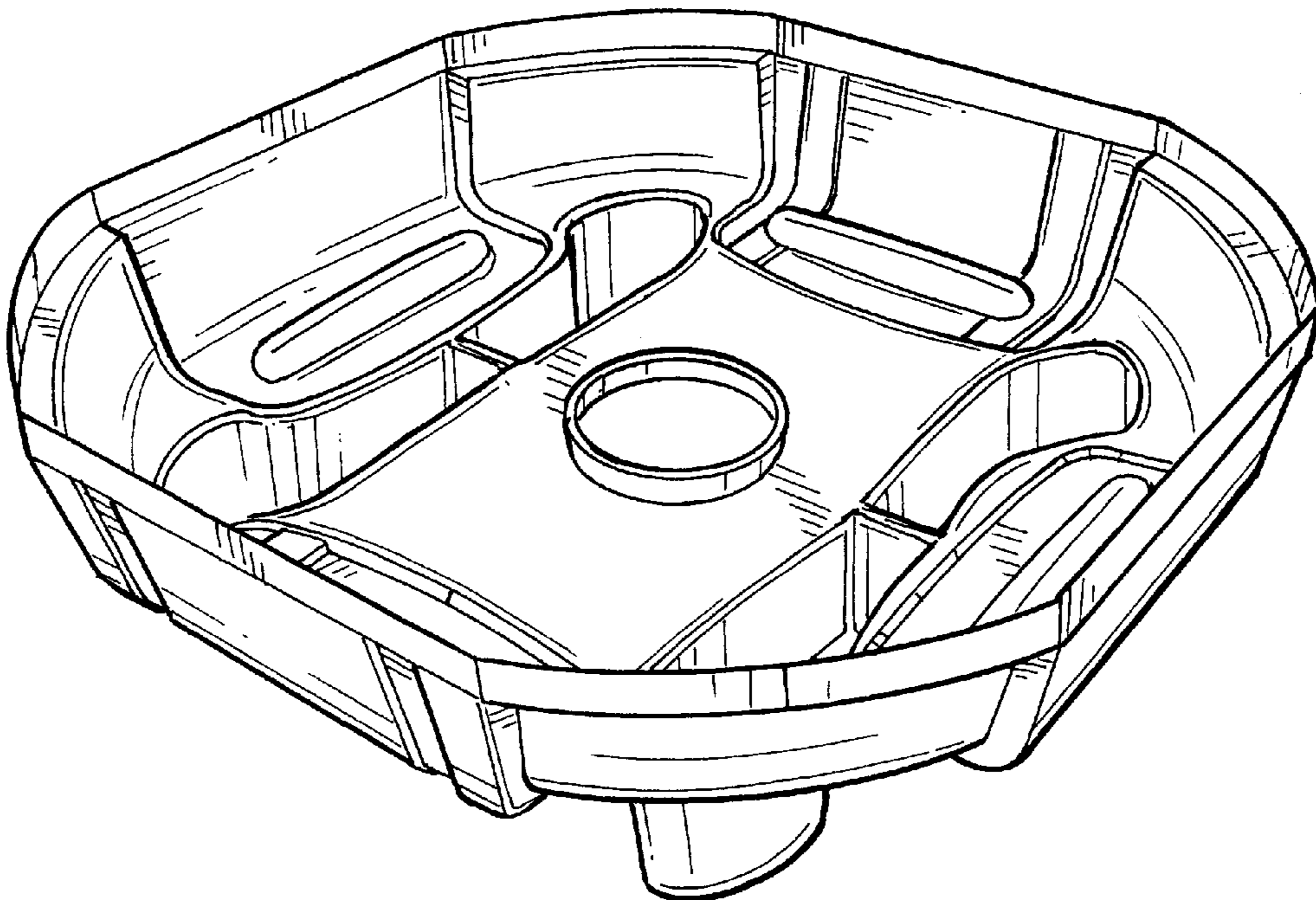


FIG. 8

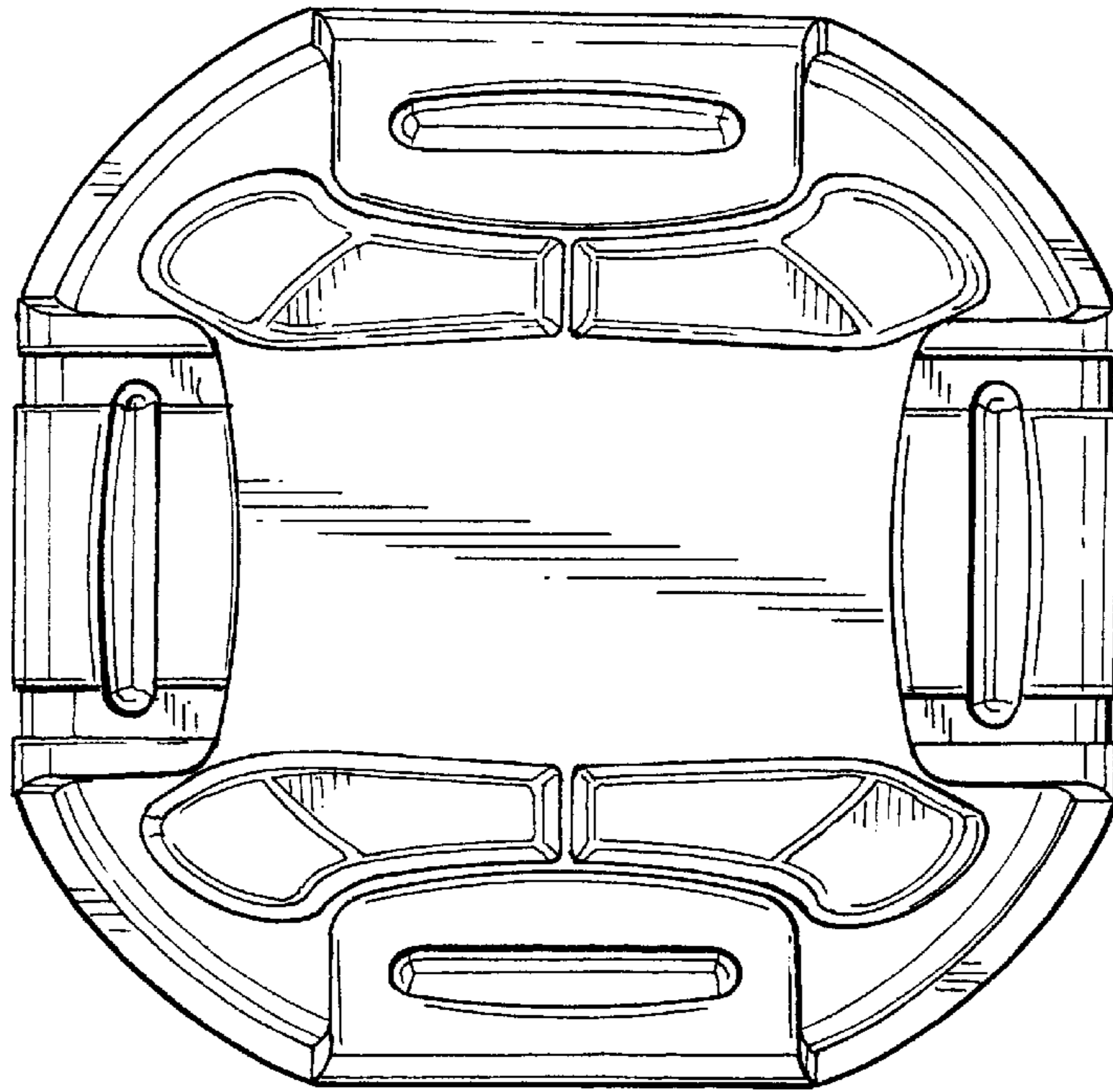


FIG. 9

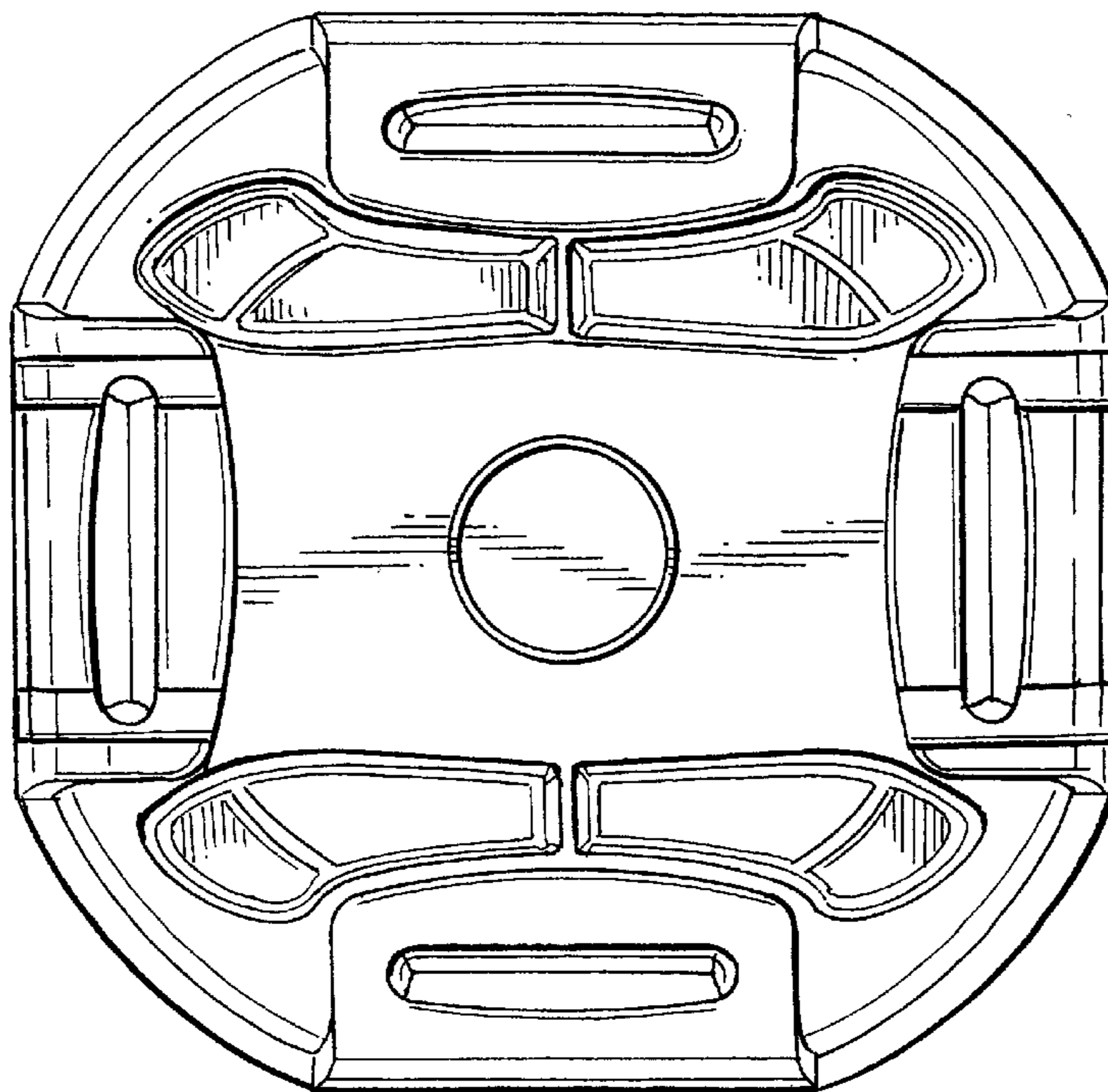


FIG. 10

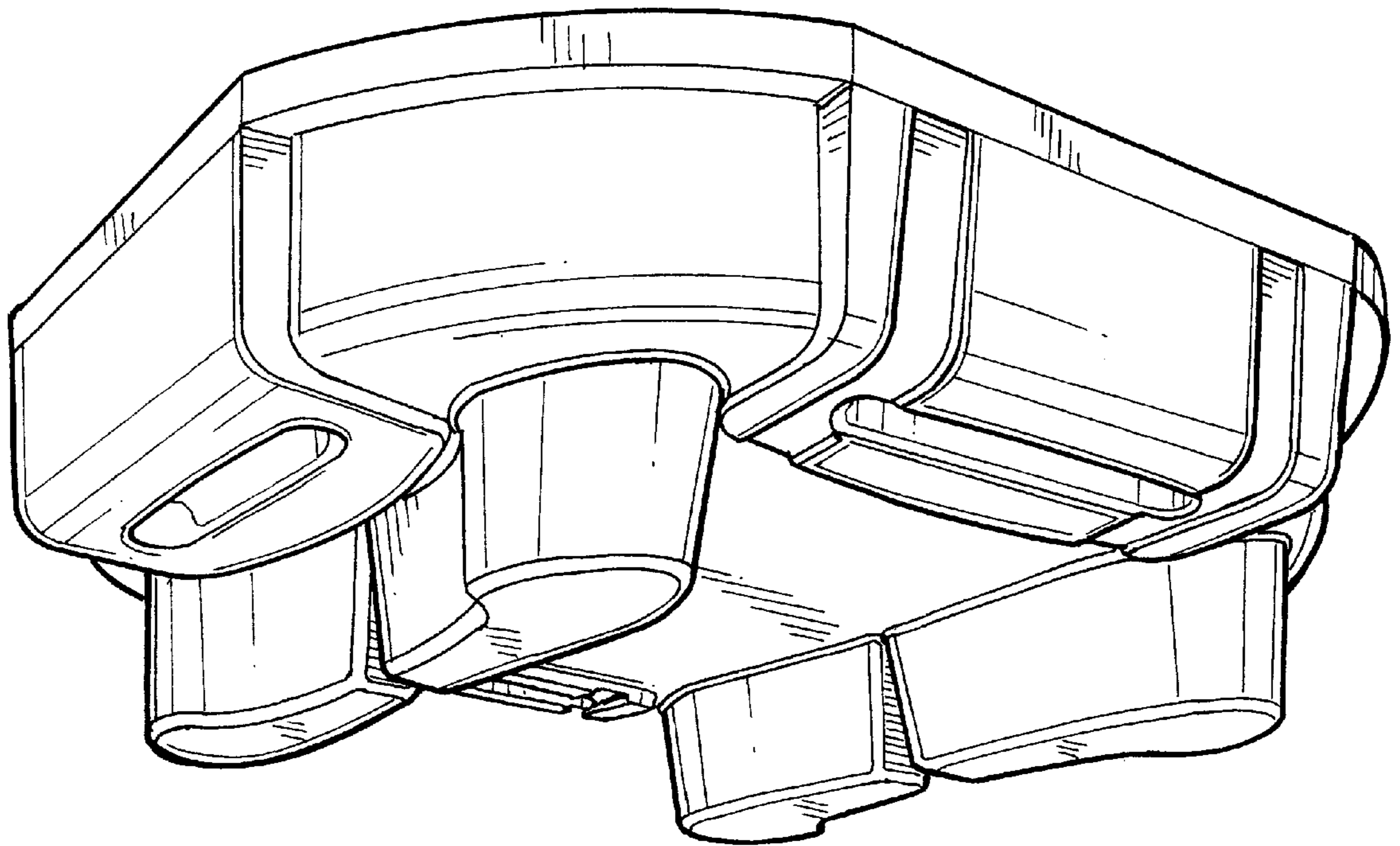


FIG. 11