



US00D467420S

(12) **United States Design Patent**
Bodony et al.

(10) **Patent No.: US D467,420 S**

(45) **Date of Patent: ** Dec. 24, 2002**

(54) **WALLET**

(75) Inventors: **Lawrence A. Bodony**, Lexington, MA (US); **Shaunt Sarian**, Wayland, MA (US)

(73) Assignee: **WearLogic, Inc.**, Wakefield, MA (US)

(*) Notice: This patent is subject to a terminal disclaimer.

(**) Term: **14 Years**

(21) Appl. No.: **29/145,761**

(22) Filed: **Jul. 27, 2001**

Related U.S. Application Data

(63) Continuation-in-part of application No. 29/130,430, filed on Sep. 30, 2000, now Pat. No. Des. 446,649.

(51) **LOC (7) Cl.** **03-01**

(52) **U.S. Cl.** **D3/249**

(58) **Field of Search** D3/247-253; 150/131, 150/132, 133, 135, 138, 140, 145, 147, 154, 901; 2/162, 170; 190/124, 125, 126, 127, 903; 383/97, 106, 907; 224/201, 600, 623, 624, 625, 653, 657, 219, 220, 221, 227

(56) **References Cited**

U.S. PATENT DOCUMENTS

1,679,807 A	8/1928	Bohl	150/135
1,842,870 A	1/1932	Harwood	150/140
2,612,201 A	9/1952	Lipp	150/133
4,670,853 A	6/1987	Stephien	150/147 X
5,105,338 A	4/1992	Held	190/903 X
5,775,398 A	7/1998	Siegel	150/147 X

Primary Examiner—Louis S. Zarfaz

Assistant Examiner—Monica A. Weingart

(74) *Attorney, Agent, or Firm*—Wolf, Greenfield & Sacks PC

(57) **CLAIM**

The ornamental design for a wallet, as shown and described.

DESCRIPTION

FIG. 1 is a perspective view of a first embodiment of the wallet in a folded configuration with a broken line representation of a connector forming no part of the claimed design;

FIG. 2 is a rear elevational view thereof;

FIG. 3 is a top plan view thereof with a broken line representation of the connector forming no part of the claimed design;

FIG. 4 is a bottom plan view thereof;

FIG. 5 is a left side elevational view thereof;

FIG. 6 is a right side elevational view thereof;

FIG. 7 is a perspective view thereof in an open configuration with a broken line representation of the connector, keys, and card slots forming no part of the claimed design;

FIG. 8 is a front elevational view thereof with a broken line representation of the connector, keys, and card slots forming no part of the claimed design;

FIG. 9 is a top plan view thereof with a broken line representation of the connector forming no part of the claimed design;

FIG. 10 is a bottom plan view thereof;

FIG. 11 is a left side elevational view thereof;

FIG. 12 is a rear elevational view thereof;

FIG. 13 is a right side elevational view thereof;

FIG. 14 is a perspective view thereof in the open configuration with an inside flap open with a broken line representation of the connector and the card slots forming no part of the claimed design;

FIG. 15 is a front elevational view thereof with a broken line representation of the card slots forming no part of the claimed design;

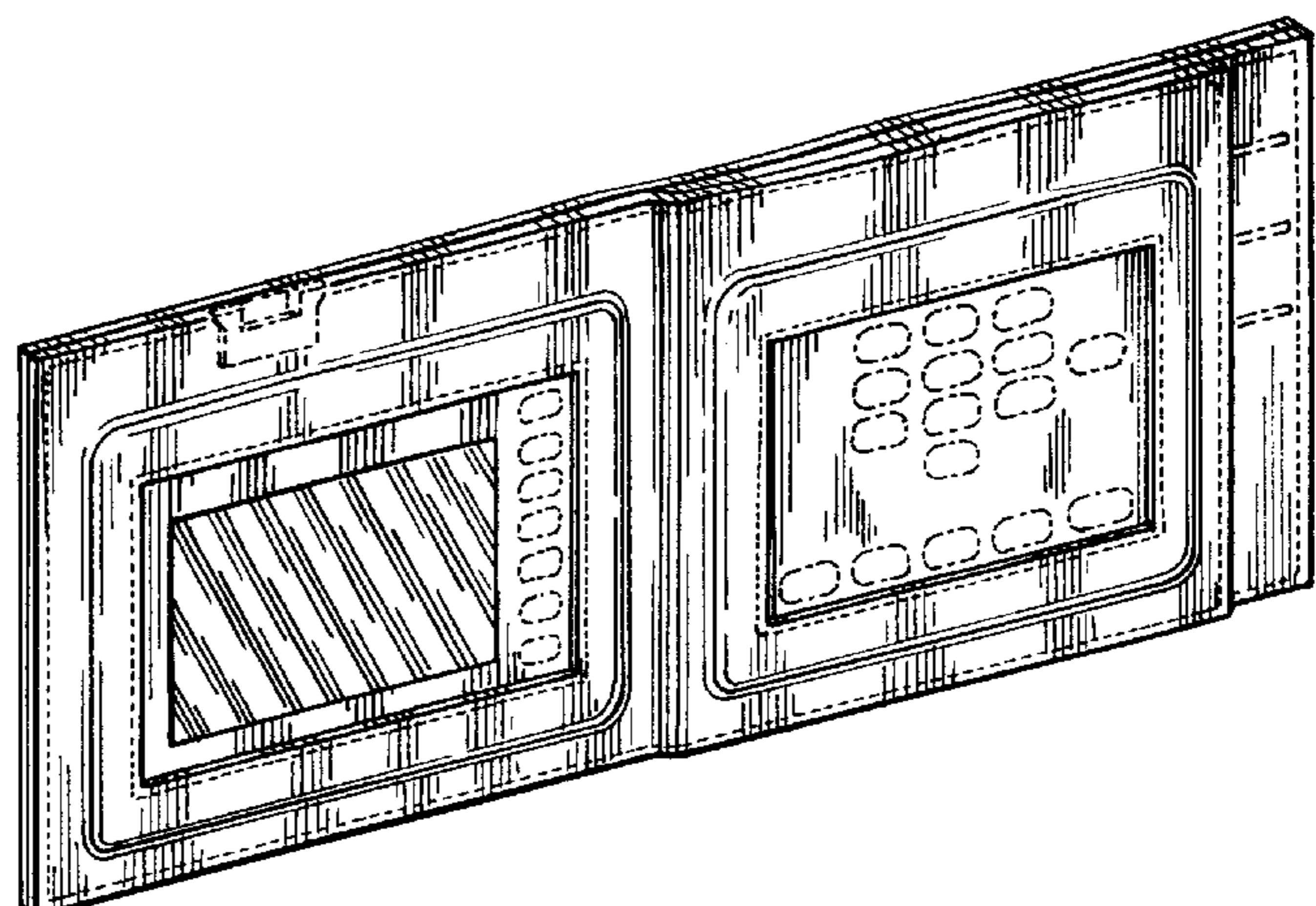
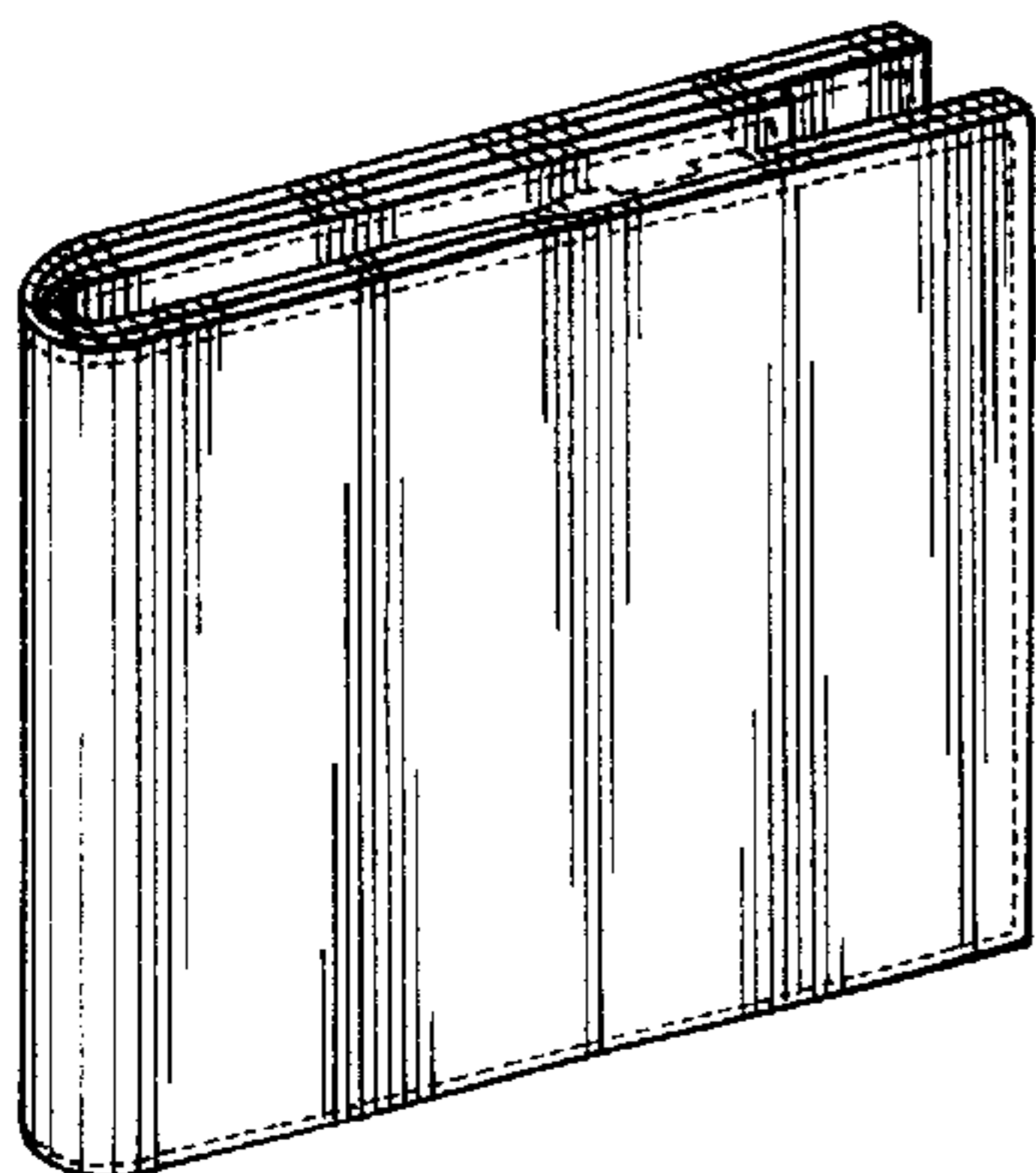
FIG. 16 is a top plan view thereof with a broken line representation of the connector forming no part of the claimed design;

FIG. 17 is a bottom plan view thereof;

FIG. 18 is a left side elevational view thereof; and,

FIG. 19 is a right side elevational view thereof.

1 Claim, 3 Drawing Sheets



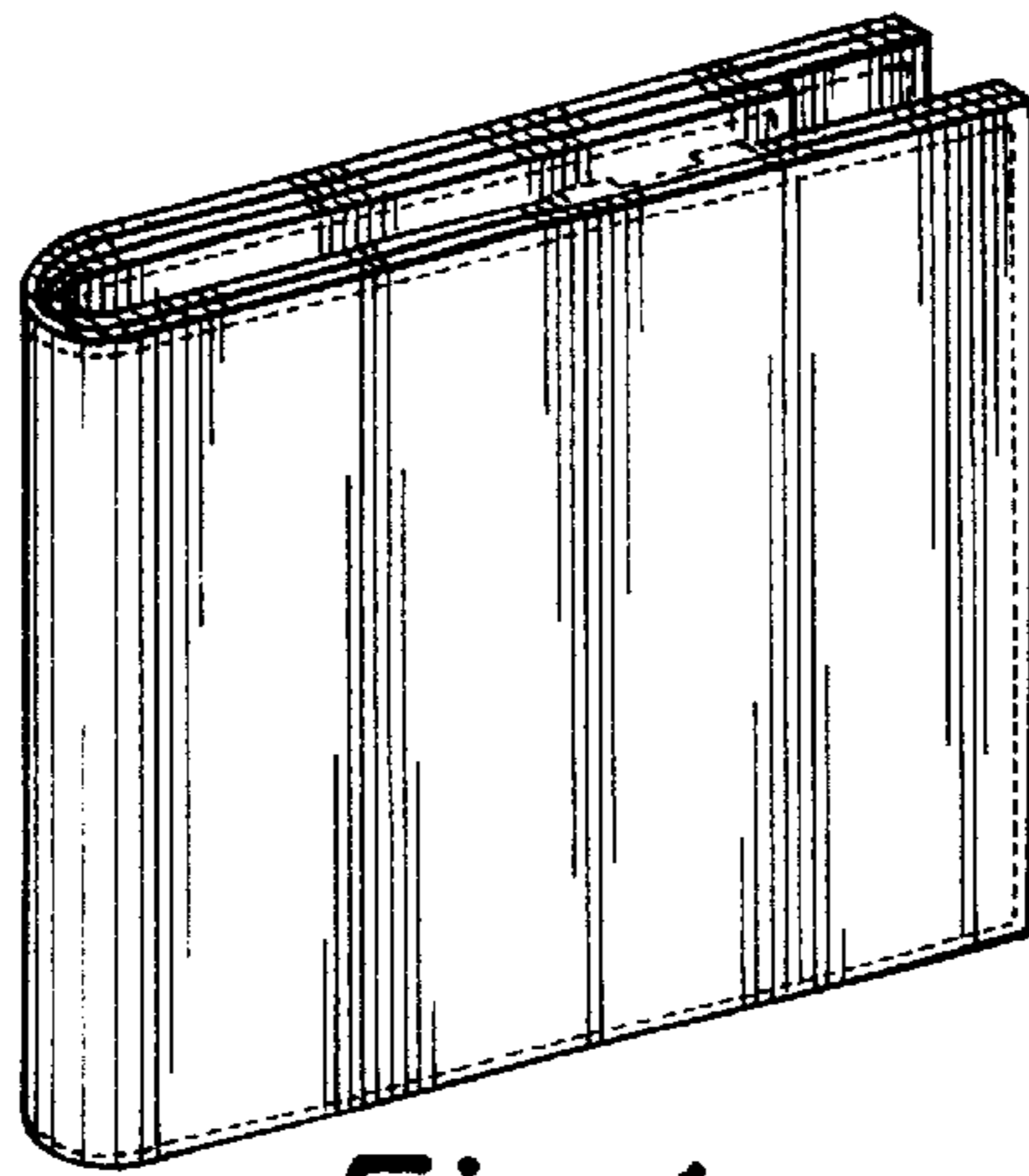


Fig. 1

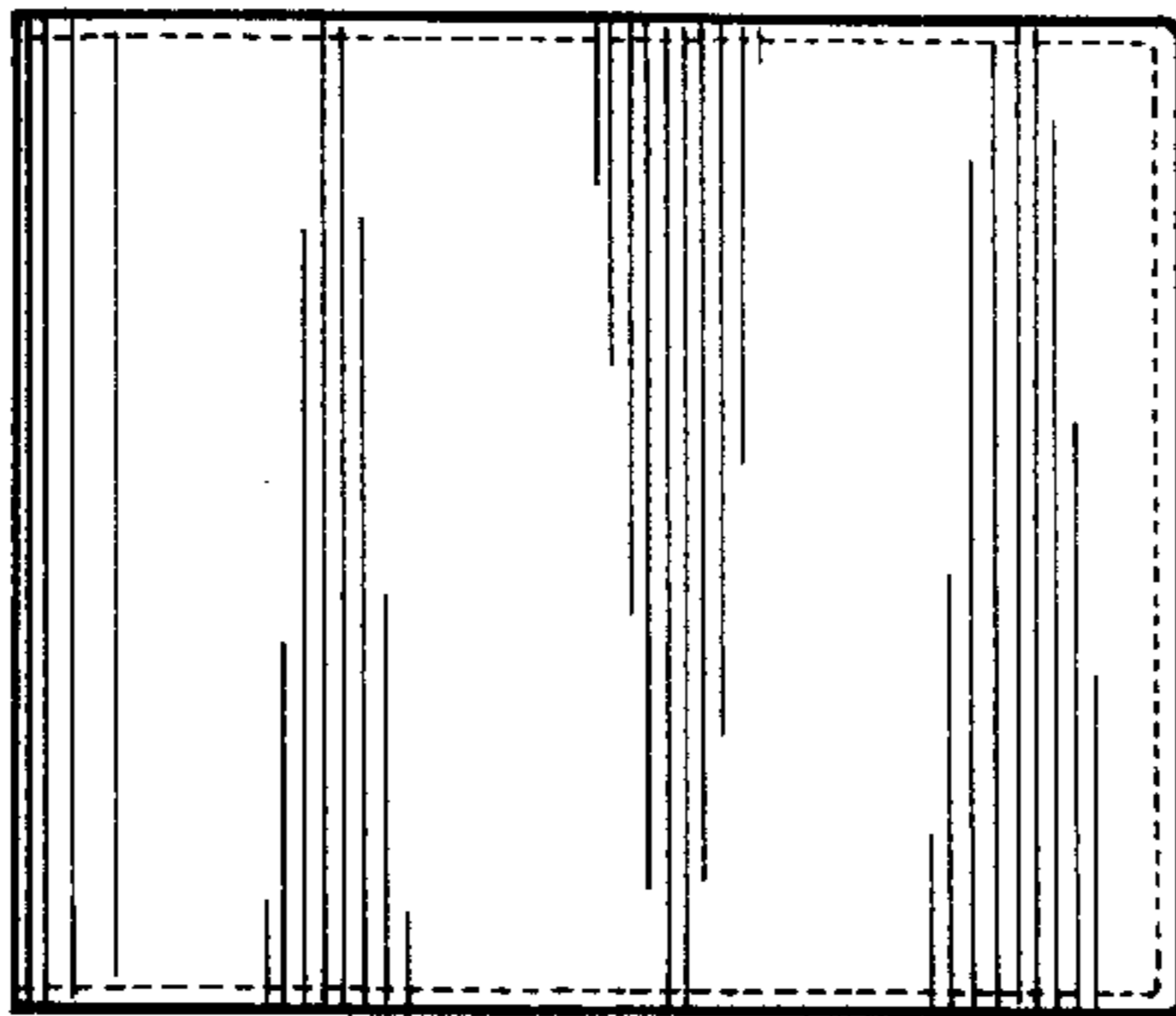


Fig. 2



Fig. 3

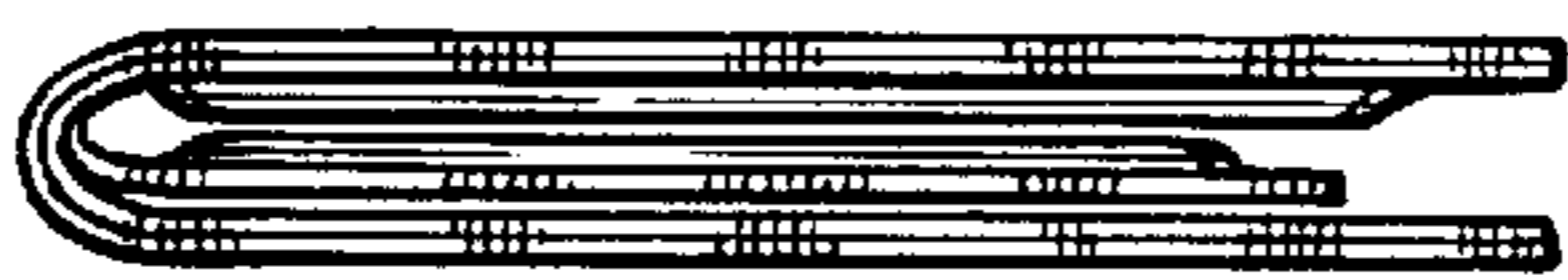


Fig. 4



Fig. 5



Fig. 6

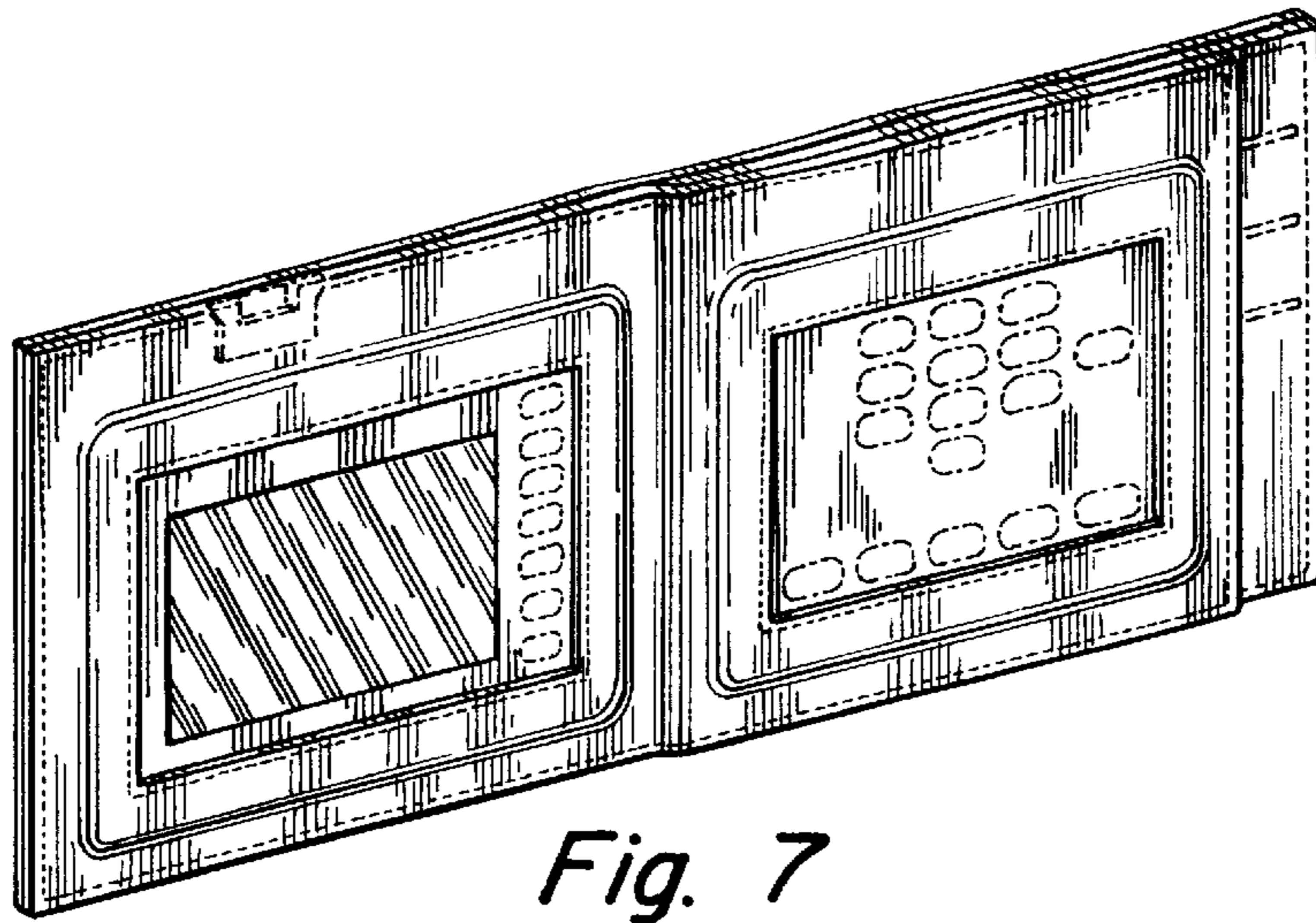


Fig. 7

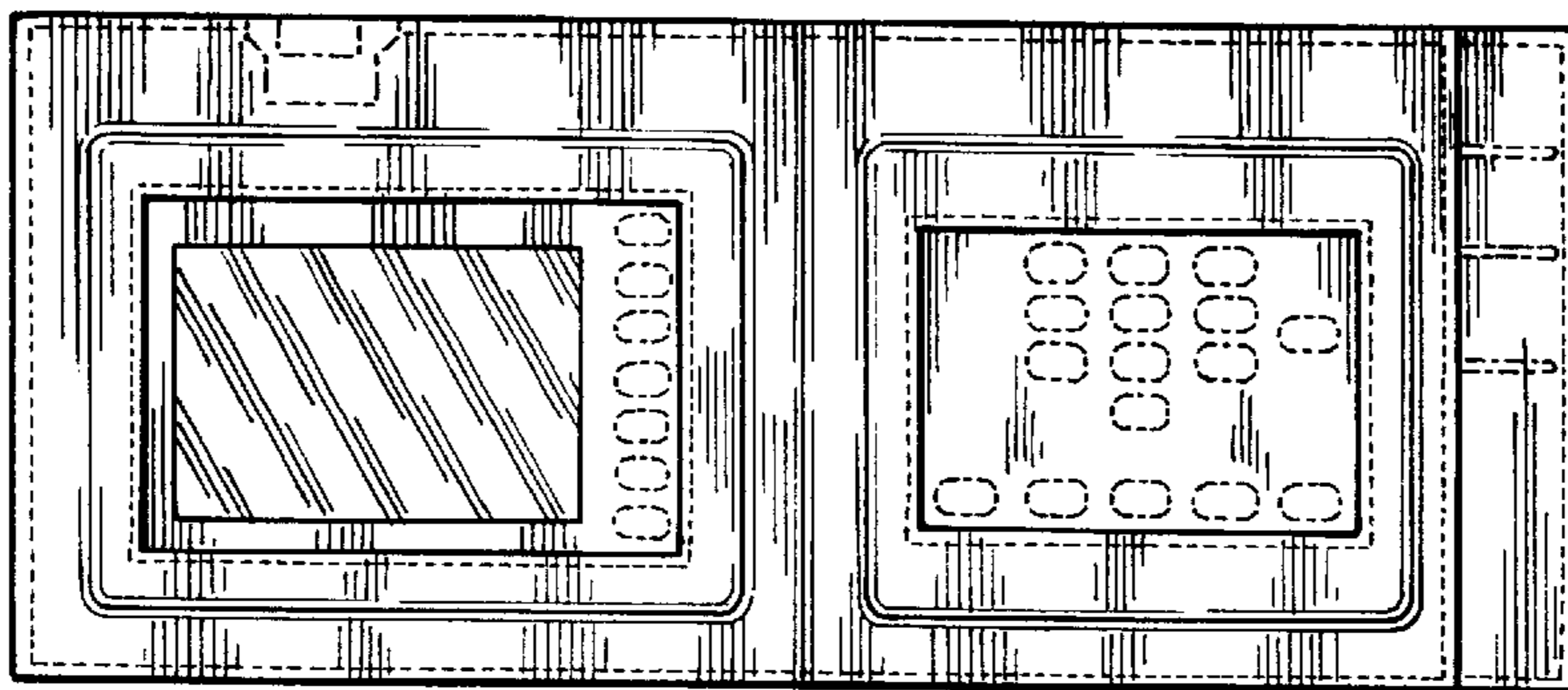


Fig. 8



Fig. 9



Fig. 10



Fig. 11

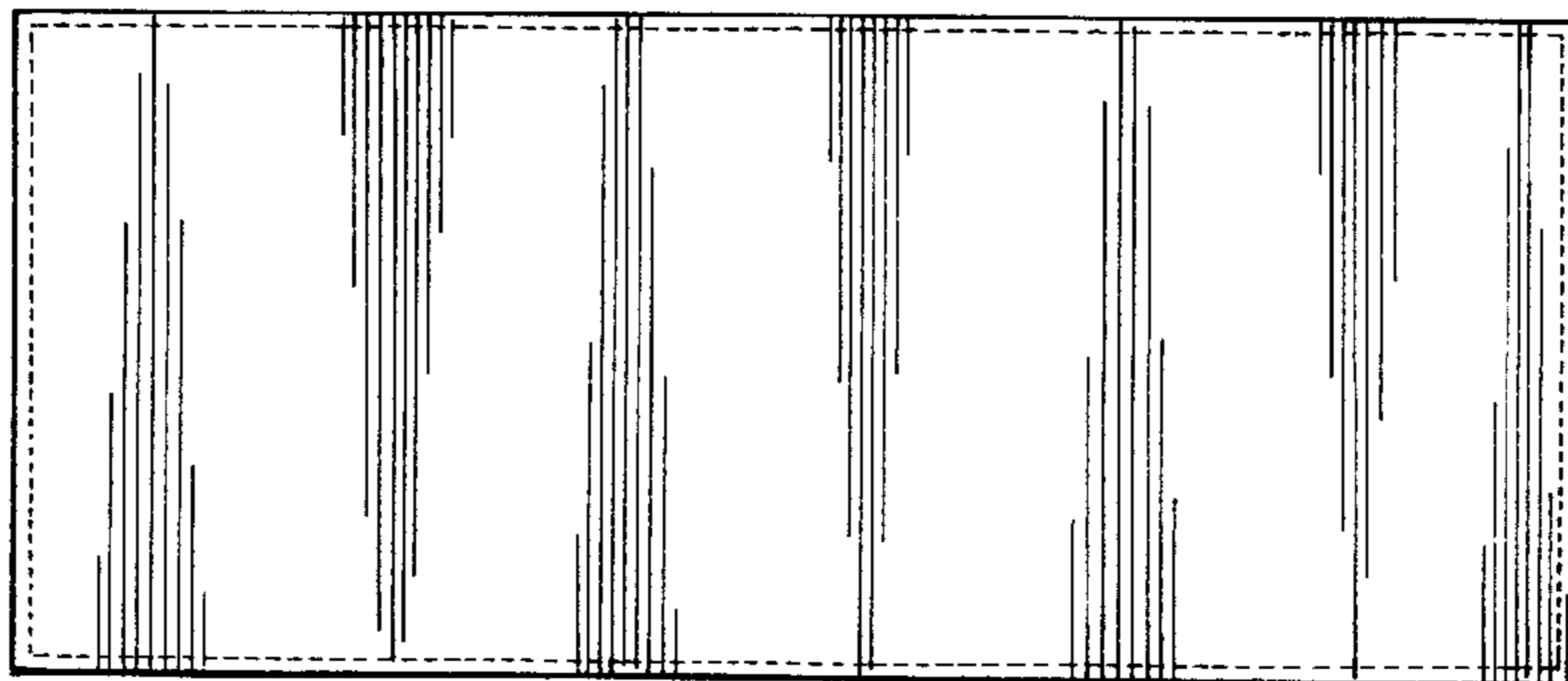


Fig. 12



Fig. 13

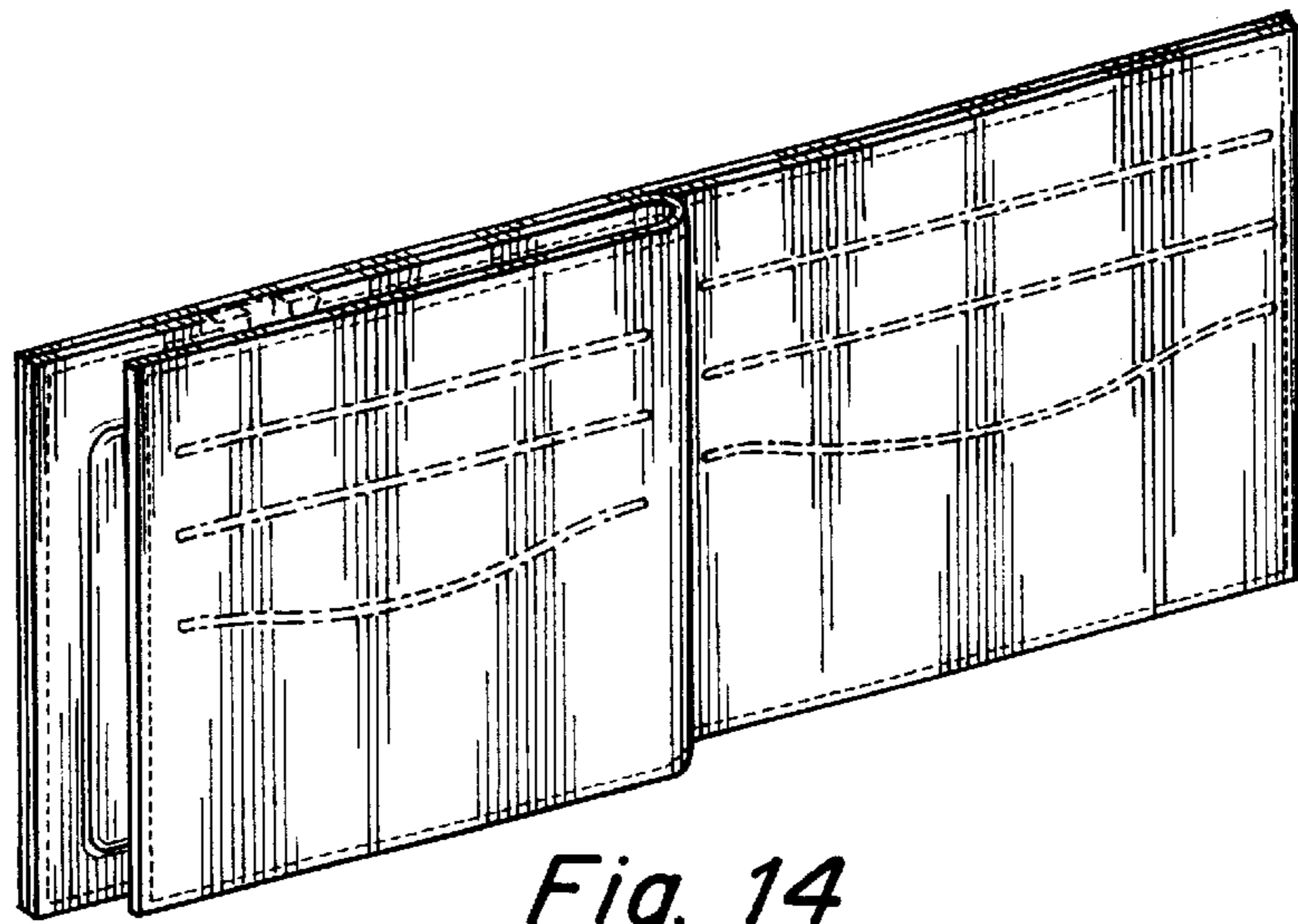


Fig. 14

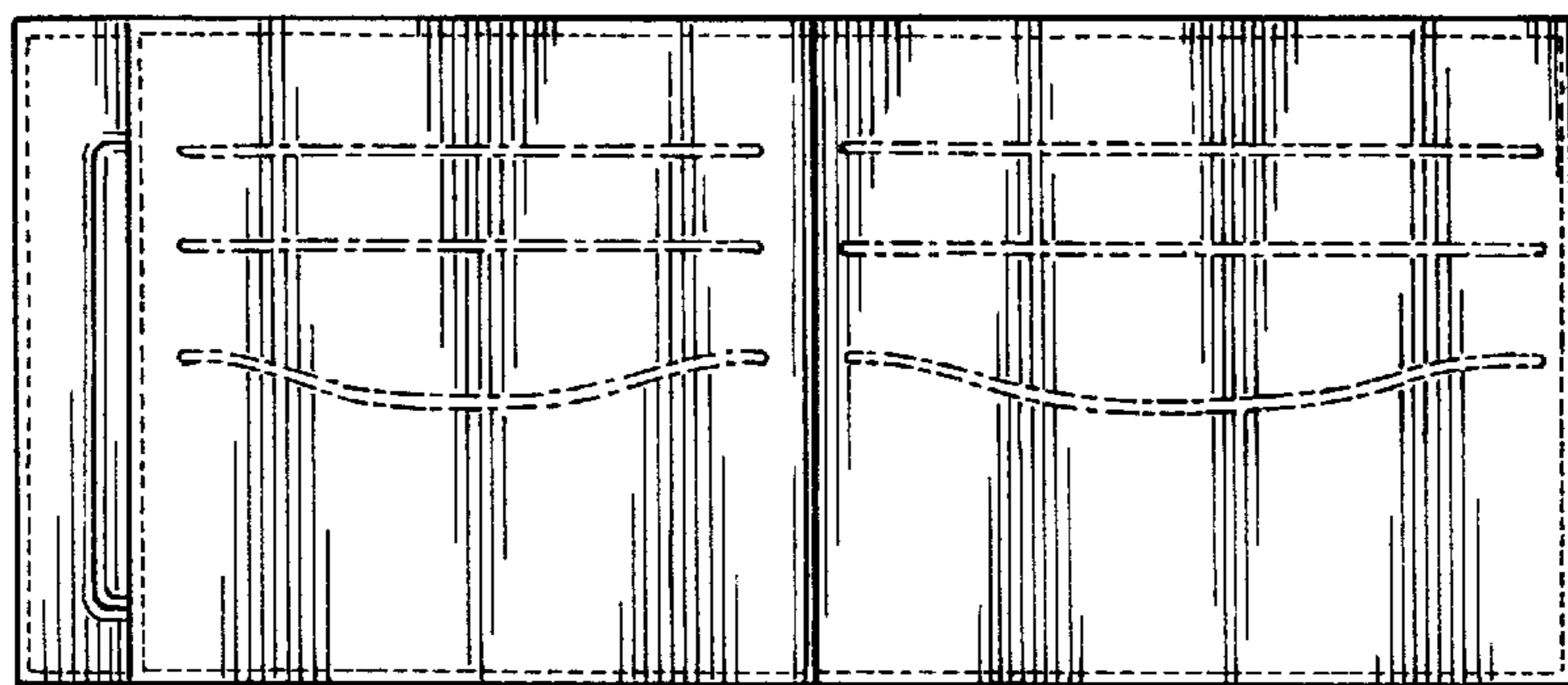


Fig. 15



Fig. 16



Fig. 17



Fig. 18

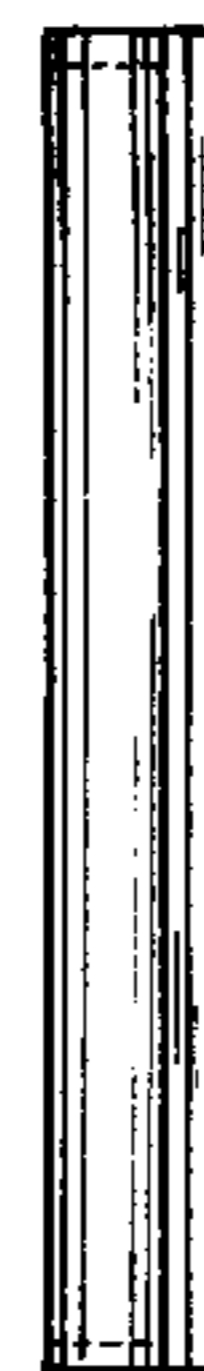


Fig. 19