



US00D467417S

(12) **United States Design Patent**
Jackson

(10) **Patent No.:** **US D467,417 S**

(45) **Date of Patent:** **** Dec. 24, 2002**

(54) **PAGER CLAMP HOLDER WALLET WITH CELLULAR PHONE AND KEY HOLSTER**

D374,977 S * 10/1996 Cook D3/215
D411,916 S * 7/1999 Jackson D3/218

(76) Inventor: **Jennifer Jackson**, 5514 S. Gramercy Pl., Los Angeles, CA (US) 90062

* cited by examiner

Primary Examiner—Catherine R. Oliver
(74) *Attorney, Agent, or Firm*—Goldstein Law Offices

(**) Term: **14 Years**

(57) **CLAIM**

(21) Appl. No.: **29/139,112**

The ornamental design for a pager clamp holder wallet with cellular phone and key holster, as shown and described.

(22) Filed: **Mar. 23, 2001**

DESCRIPTION

(51) **LOC (7) Cl.** **03-01**

(52) **U.S. Cl.** **D3/218**

(58) **Field of Search** D3/218, 215, 223, D3/222, 219; 224/236, 240, 245, 192, 193, 911, 191, 198; D14/250, 251; D2/627

FIG. 1 is a front elevational view of a pager clamp holder wallet with cellular phone and key holster.

FIG. 2 is a rear elevational view thereof.

FIG. 3 is a right side elevational view thereof.

FIG. 4 is a left side elevational view thereof.

FIG. 5 is a top plan view of the pager clamp holder wallet with cellular phone and key holster; and,

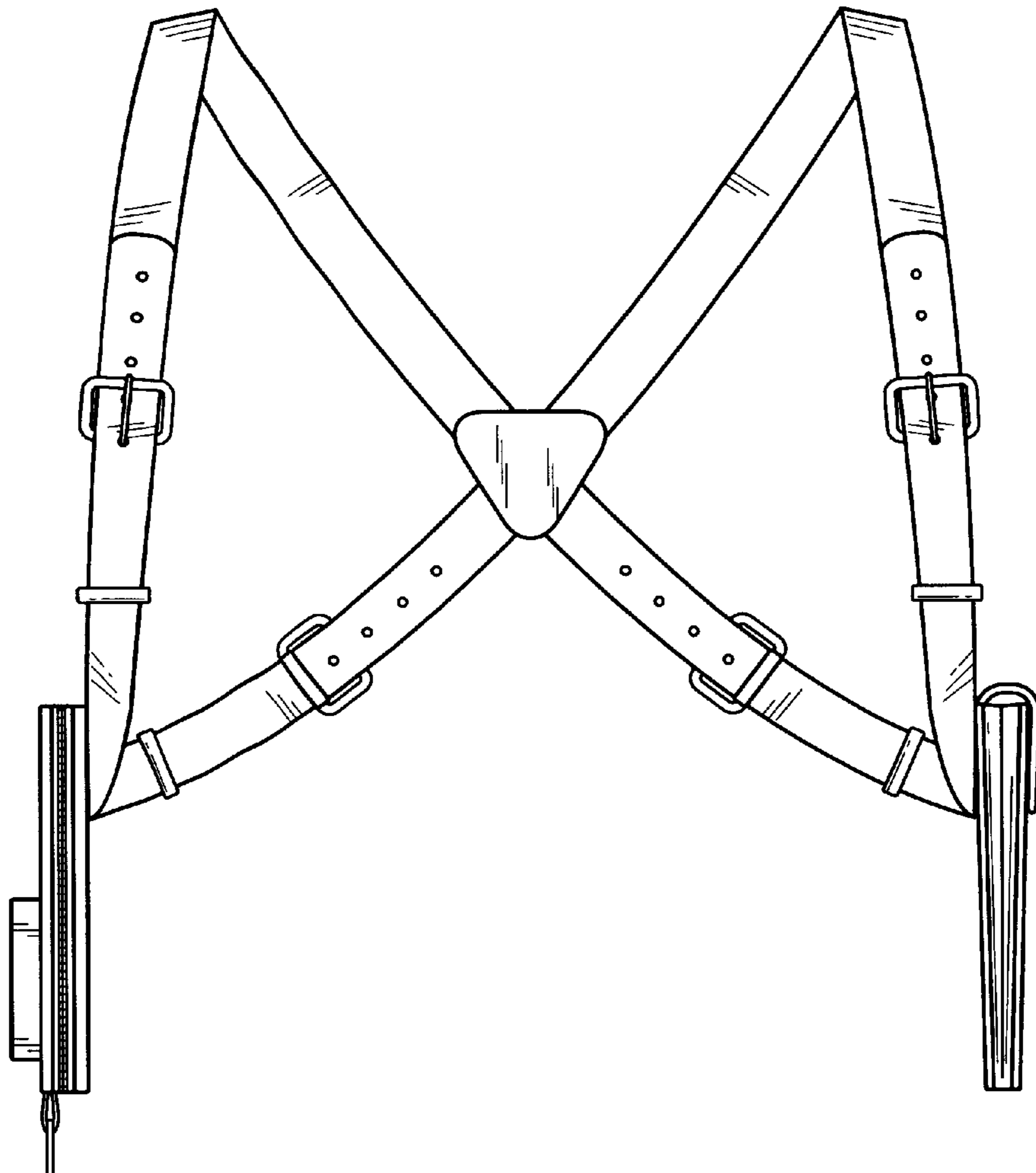
FIG. 6 is a bottom plan view thereof.

(56) **References Cited**

U.S. PATENT DOCUMENTS

D348,971 S * 7/1994 Jones D2/627
5,358,159 A * 10/1994 Lundie, Jr. 224/245
D370,776 S * 6/1996 Frey D3/218

1 Claim, 3 Drawing Sheets



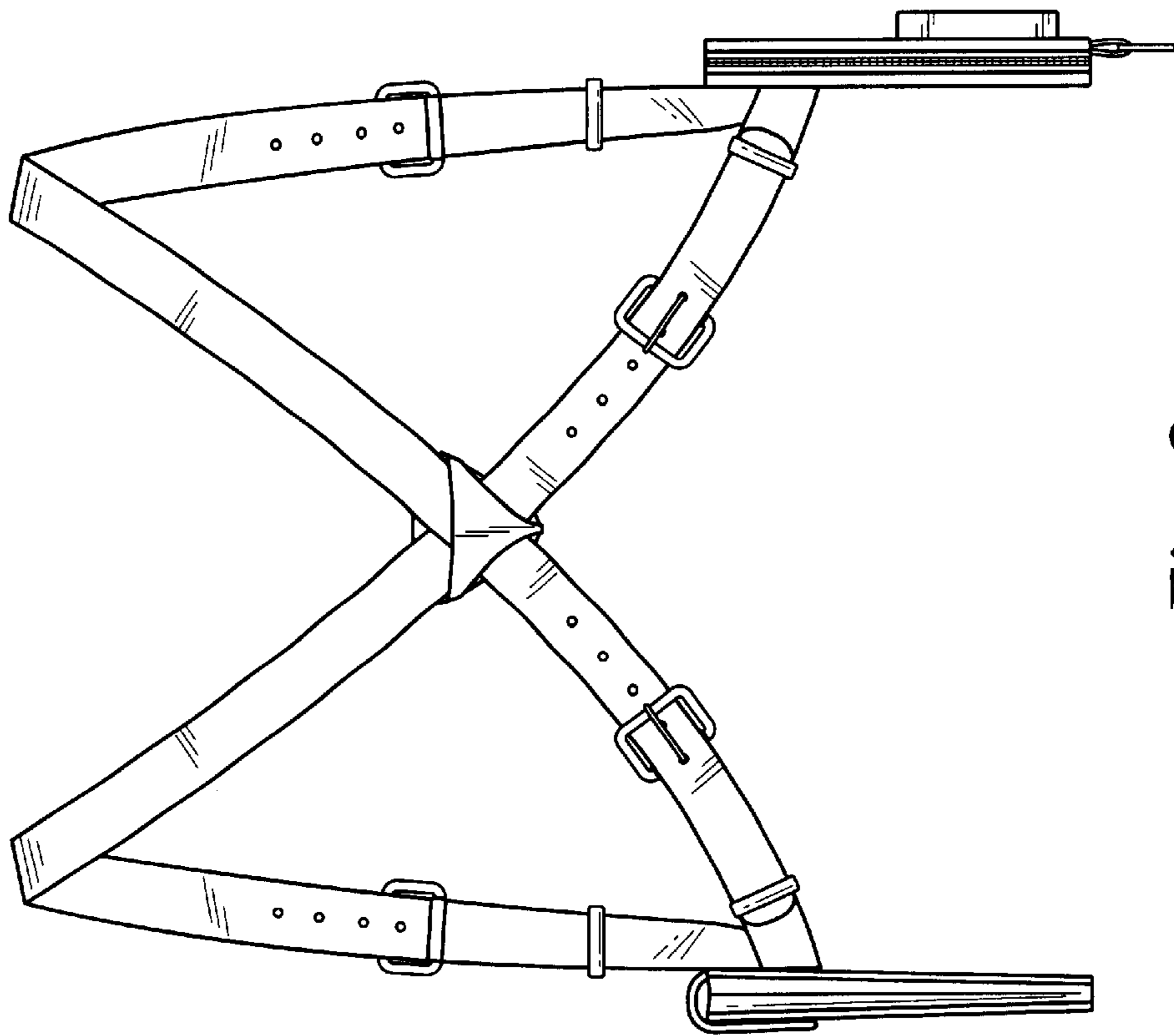


Fig. 2

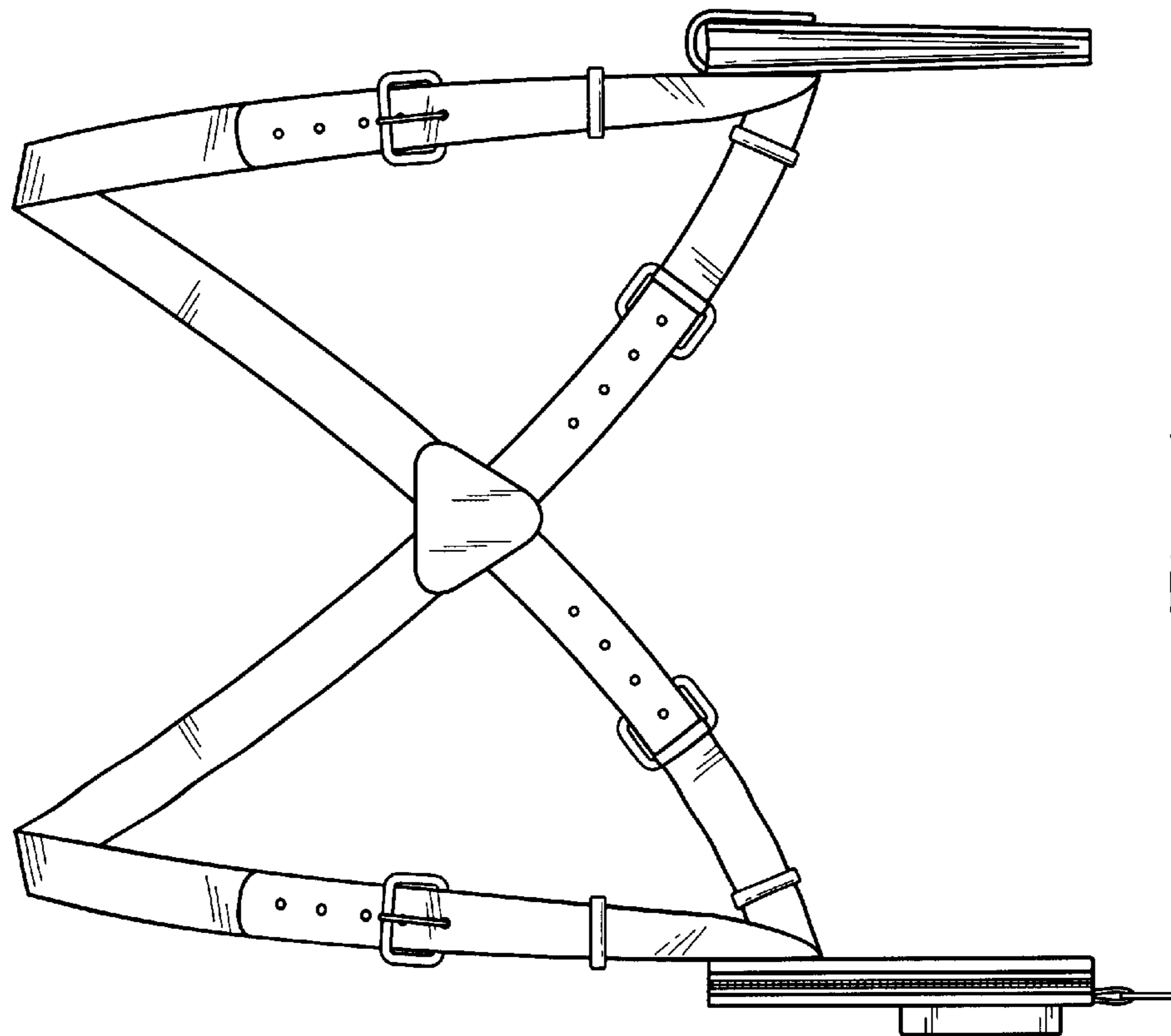


Fig. 1

Fig. 3

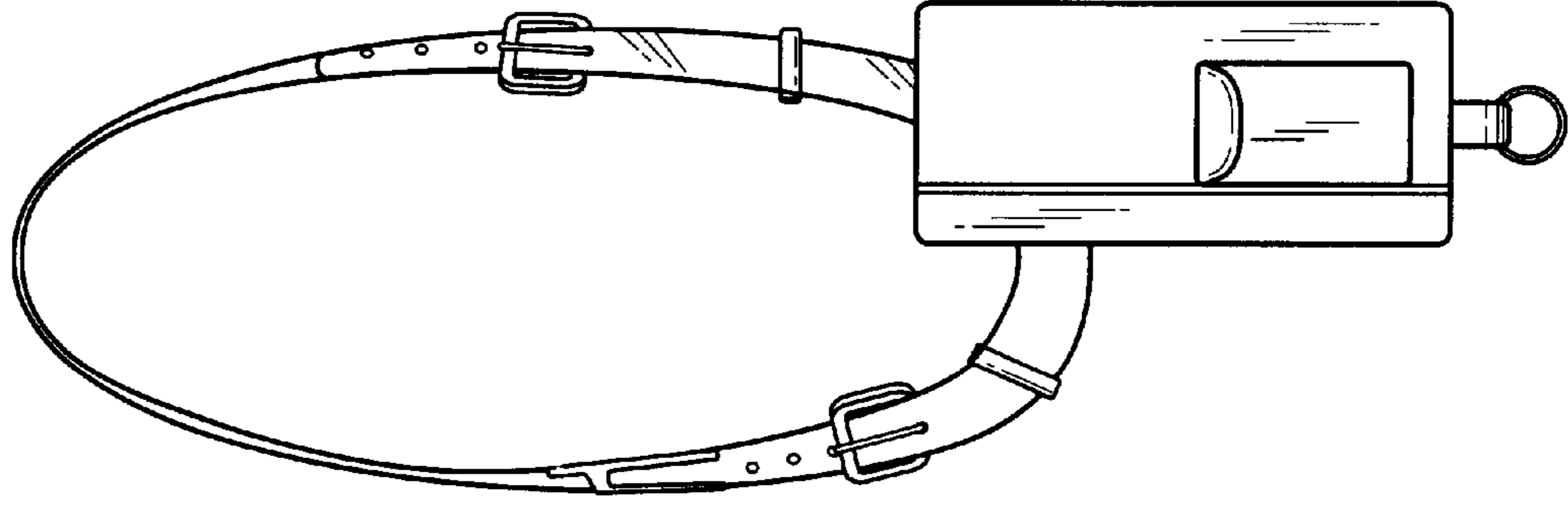
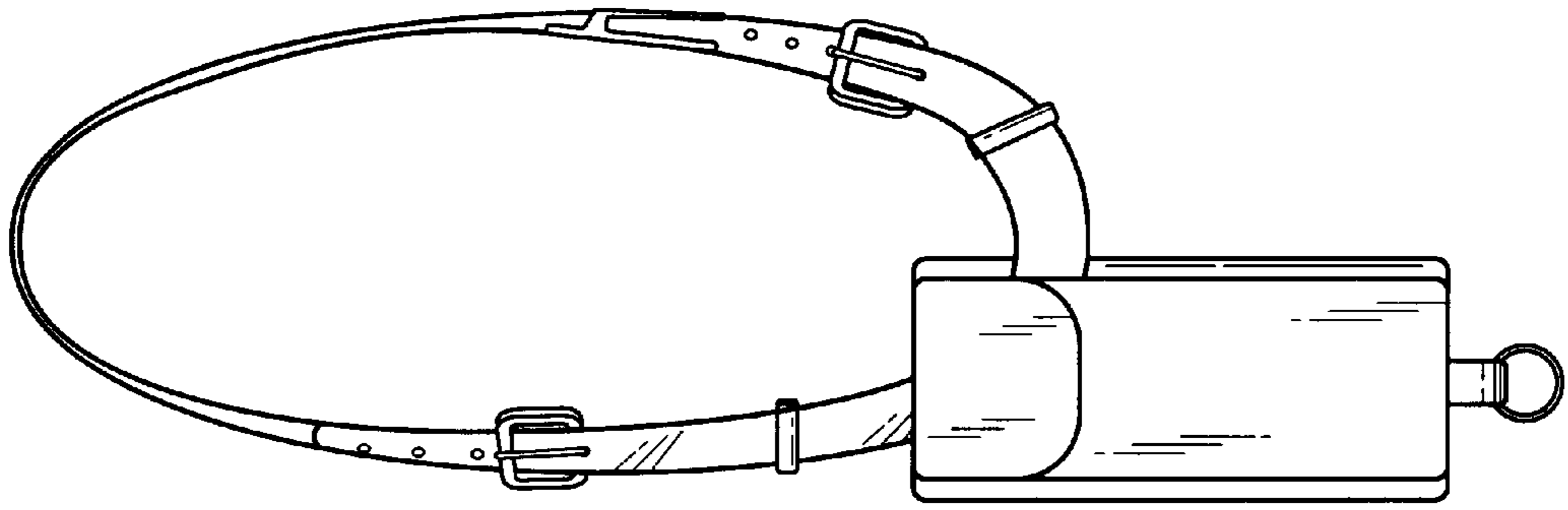


Fig. 4

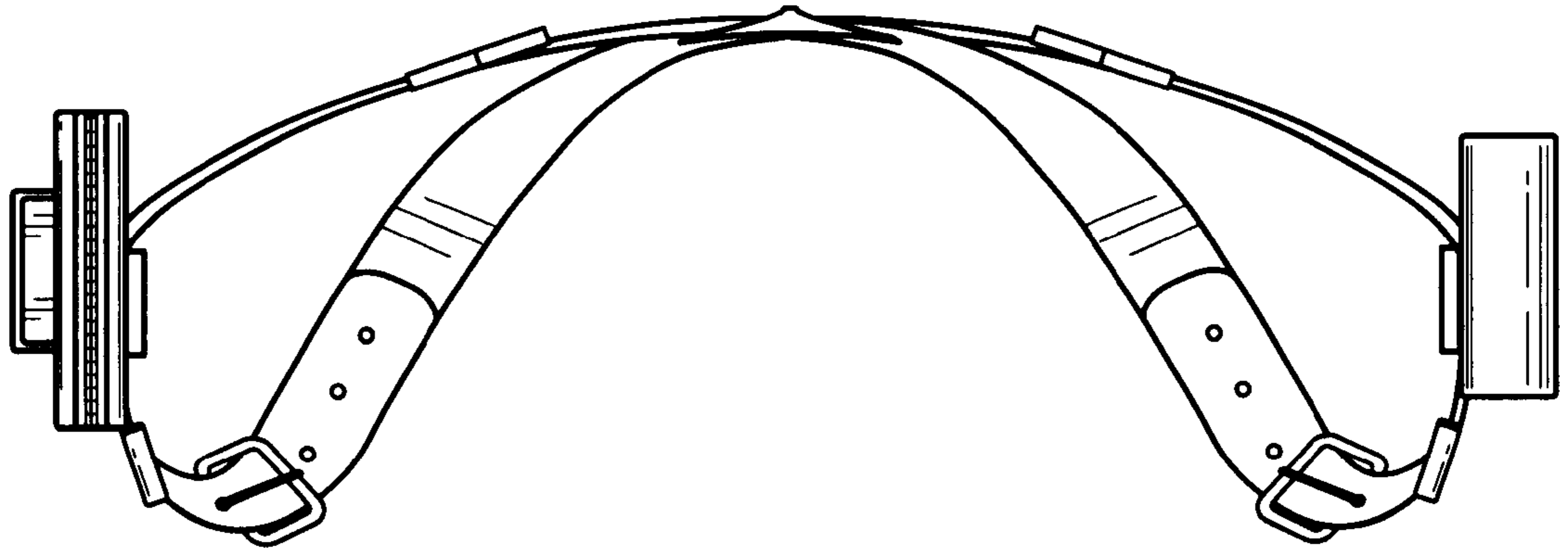


Fig. 5

Fig. 6

