



US00D467402S

(12) **United States Design Patent**  
**DiStaulo**

(10) **Patent No.:** **US D467,402 S**

(45) **Date of Patent:** **\*\* Dec. 17, 2002**

(54) **PLOW BLADE MOUNT**

(75) Inventor: **Michael DiStaulo**, Aurora, OH (US)

(73) Assignee: **All-Type Welding and Fabrication, Inc.**, Glenwillow, OH (US)

(\*\*) Term: **14 Years**

(21) Appl. No.: **29/148,474**

(22) Filed: **Sep. 19, 2001**

(51) **LOC (7) Cl.** ..... **12-05**

(52) **U.S. Cl.** ..... **D34/28**

(58) **Field of Search** ..... D34/28, 18, 23,  
D34/27; 414/429, 426; 280/62, 79.7, 79.11,  
79.3, 43.24

(56) **References Cited**

**U.S. PATENT DOCUMENTS**

469,507	A	*	2/1892	Spencer	.....	280/79.11
2,471,051	A	*	5/1949	Tway	.....	280/79.11
4,471,971	A	*	9/1984	Keesler	.....	280/79.11
4,572,531	A	*	2/1986	Elia	.....	280/79.11
4,630,838	A	*	12/1986	Stockton	.....	280/43.24
4,854,803	A	*	8/1989	Coccaro	.....	414/429

4,976,449	A	*	12/1990	Lotspeich et al.	.....	280/79.7
D315,239	S	*	3/1991	Krause et al.	.....	D34/28
D366,547	S	*	1/1996	Arn	.....	D34/23
D371,450	S	*	7/1996	Hodges	.....	D34/23
D377,700	S	*	1/1997	Butler	.....	D34/28
D416,120	S	*	11/1999	Campolito	.....	D34/28
D420,482	S	*	2/2000	Hultqvist et al.	.....	D34/28

\* cited by examiner

*Primary Examiner*—Cynthia E. Ramirez  
(74) *Attorney, Agent, or Firm*—Pearne & Gordon LLP

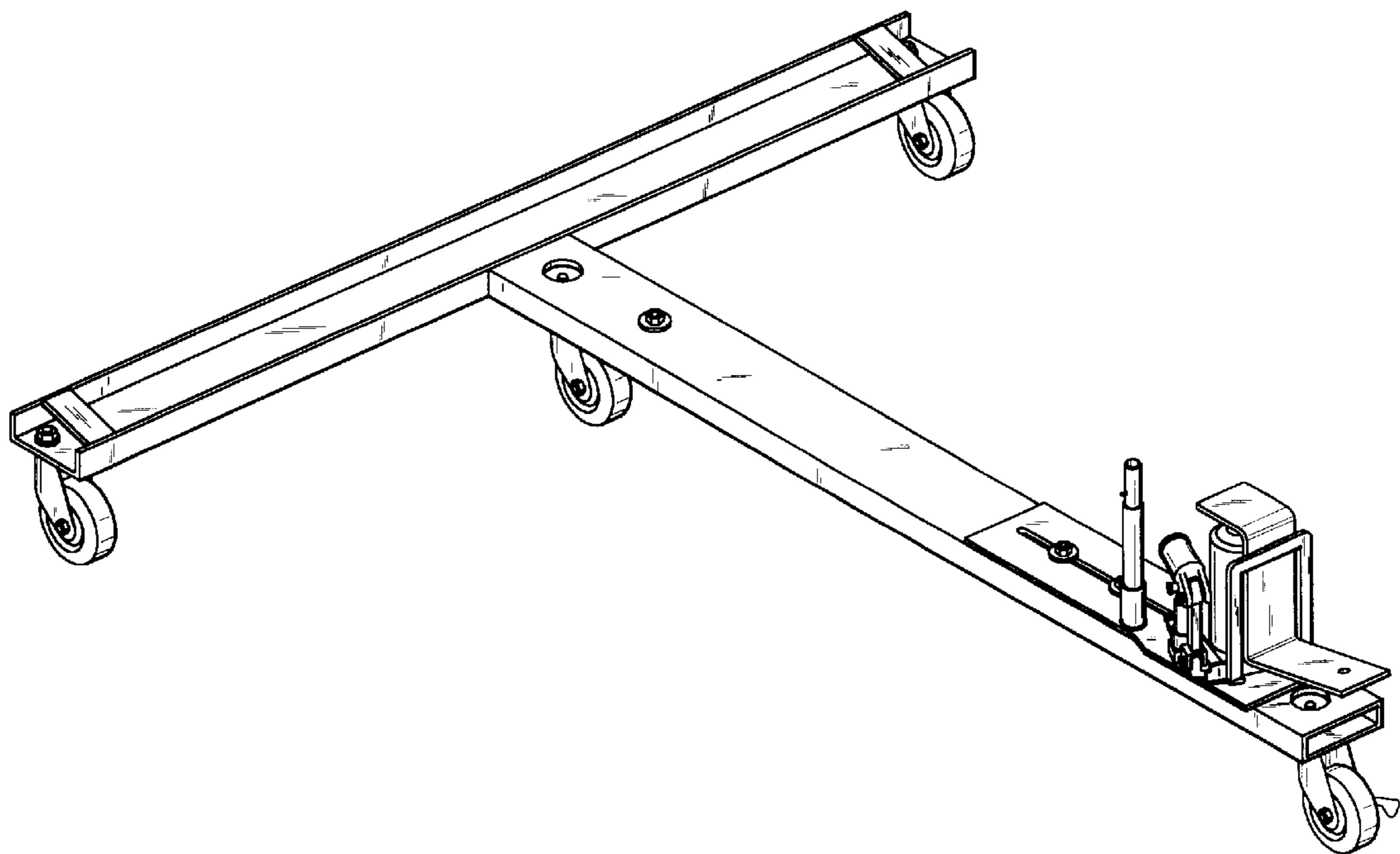
(57) **CLAIM**

The ornamental design for a plow blade mount, as shown and described.

**DESCRIPTION**

FIG. 1 is a perspective view of a plow blade mount cart, showing my new design.  
FIG. 2 is top view thereof.  
FIG. 3 is a side view thereof.  
FIG. 4 is a rear view thereof.  
FIG. 5 is an opposite side view thereof.  
FIG. 6 is a bottom view thereof; and,  
FIG. 7 is a front view thereof.

**1 Claim, 3 Drawing Sheets**



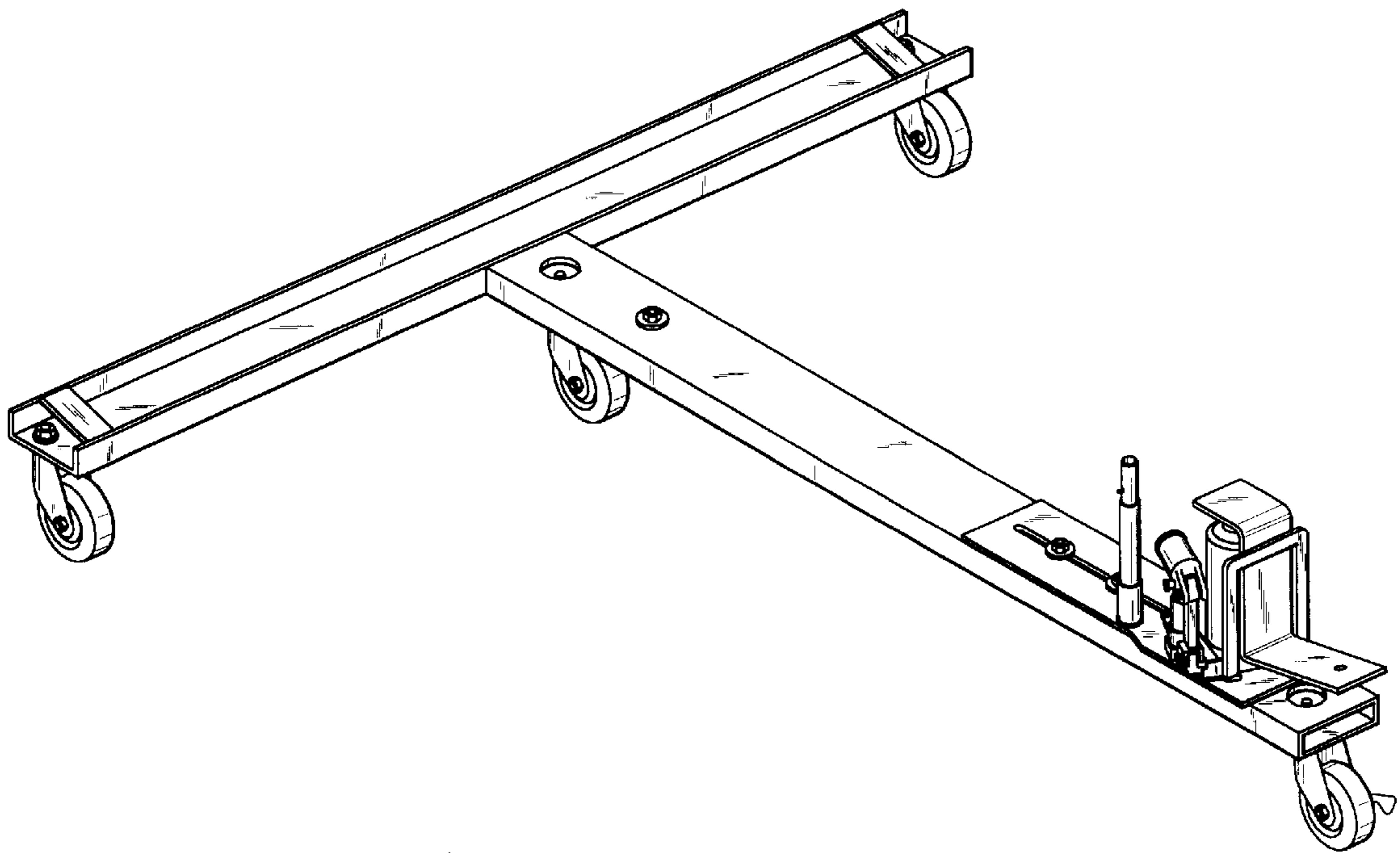


FIG. 1

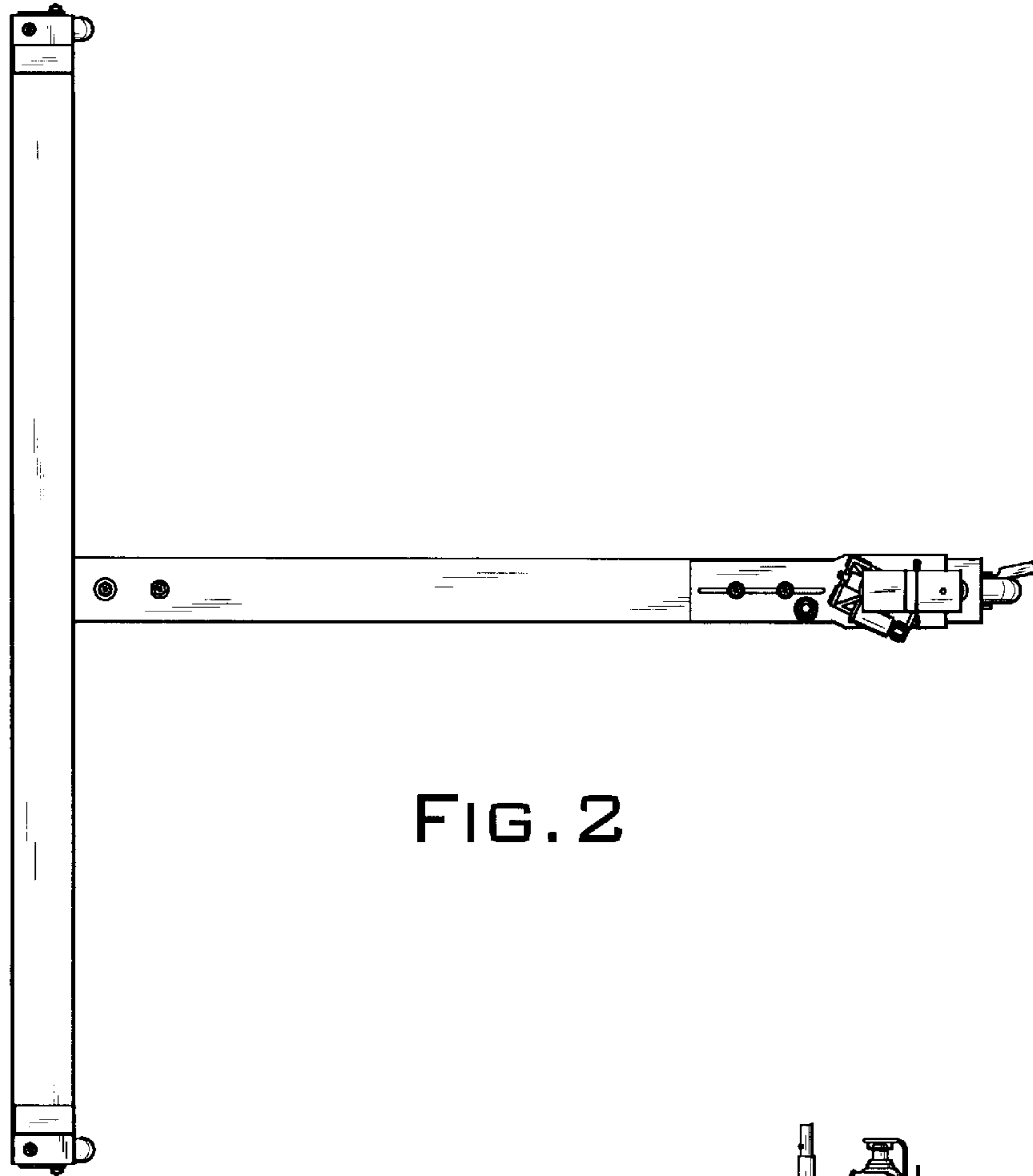


FIG. 2



FIG. 3

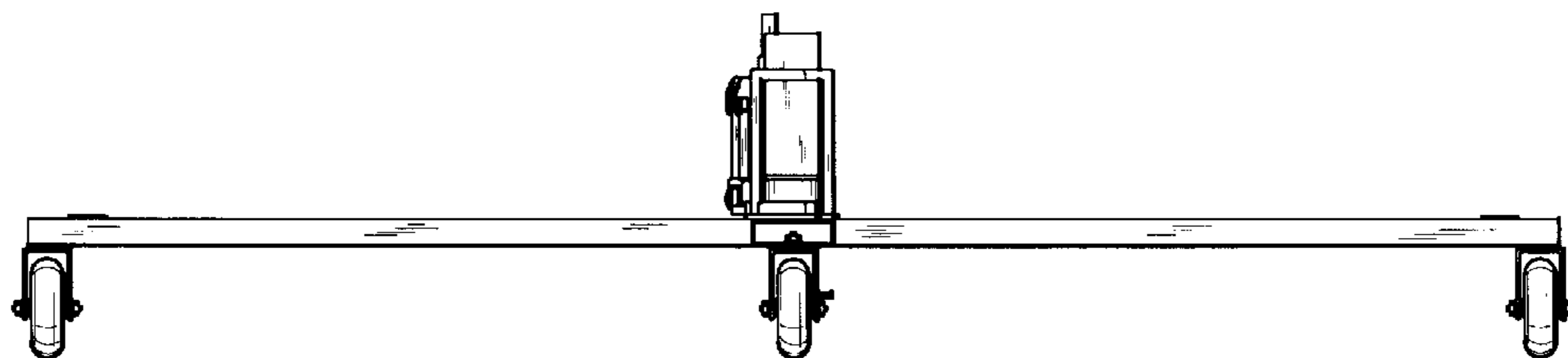


FIG. 4



FIG. 5

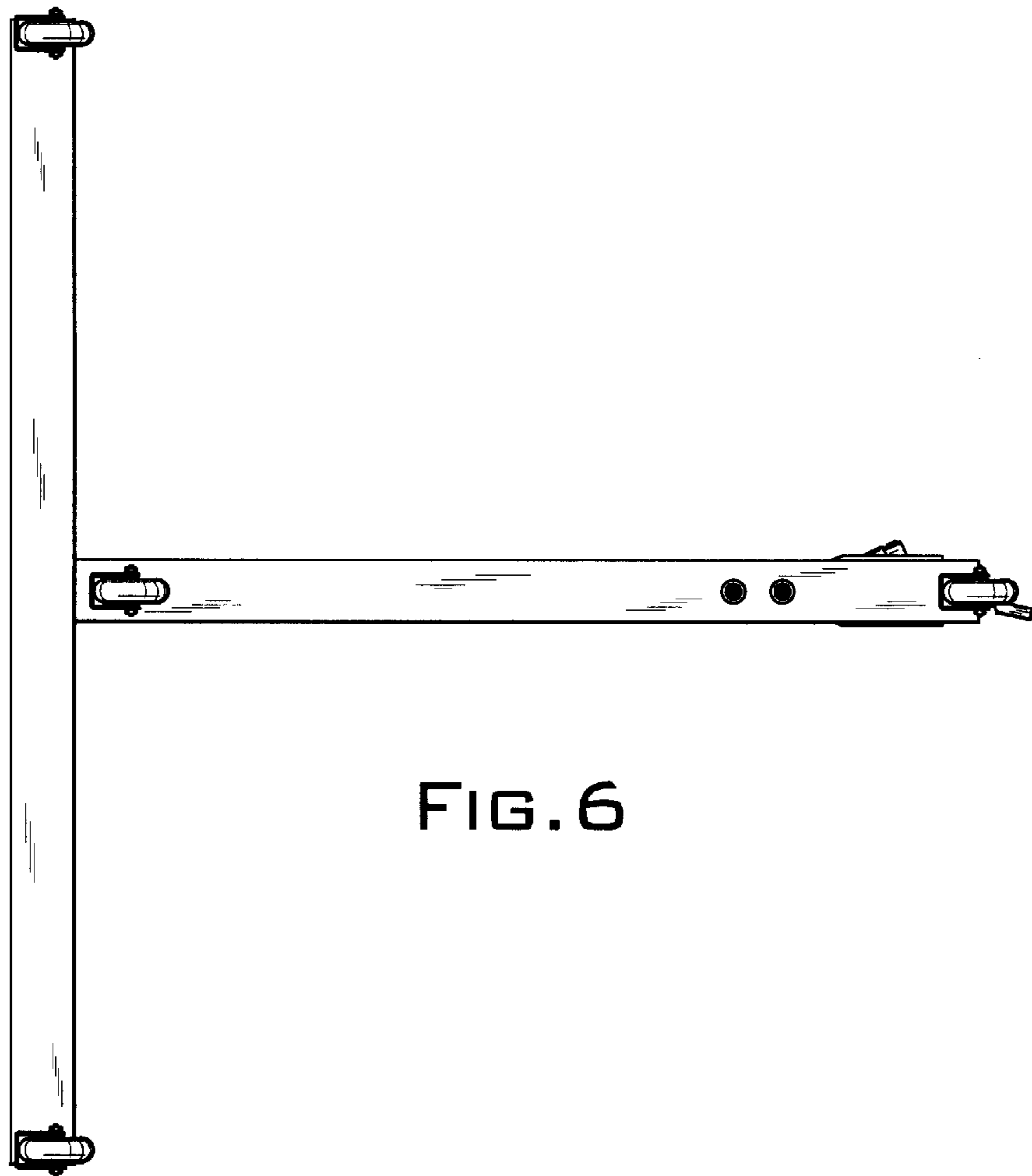


FIG. 6

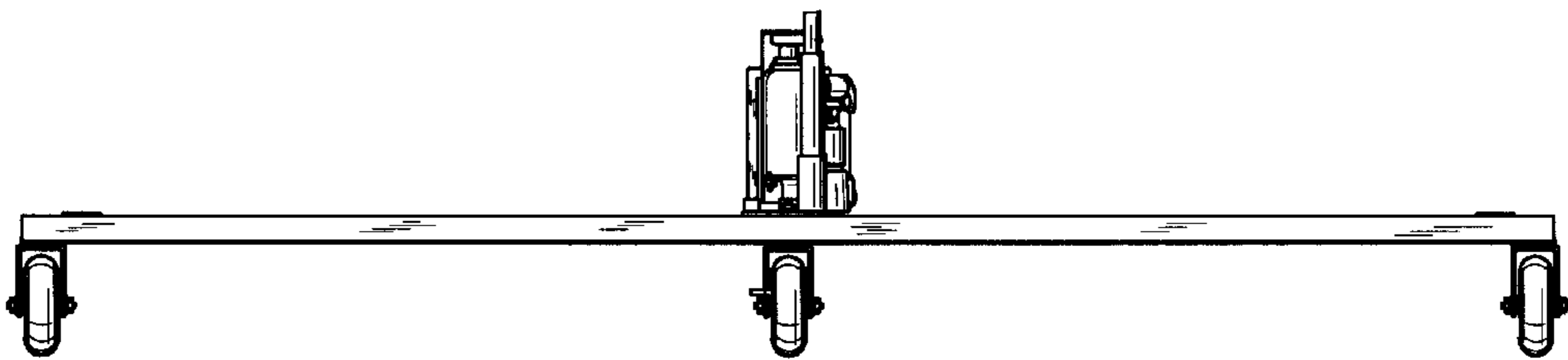


FIG. 7

UNITED STATES PATENT AND TRADEMARK OFFICE  
**CERTIFICATE OF CORRECTION**

PATENT NO. : Des. 467,402 S  
DATED : December 17, 2002  
INVENTOR(S) : DiStaulo

Page 1 of 1

It is certified that error appears in the above-identified patent and that said Letters Patent is hereby corrected as shown below:

Title page,

Item [56], **References Cited**, please insert the following:

-- 5,071,151	*	12/1991	Irwin .....	280/43.24
5,112,070	*	5/1992	Hahn .....	280/79.3
5,335,923	*	8/1994	Langenback et al...	280/79.11
5,609,461	*	3/1997	Linchtenberg .....	414/426
5,732,960	*	3/1998	Elam .....	414/426 --

Signed and Sealed this

Twenty-fifth Day of February, 2003



JAMES E. ROGAN  
*Director of the United States Patent and Trademark Office*