



US00D467400S

(12) **United States Design Patent**
Barrét al.

(10) **Patent No.:** **US D467,400 S**

(45) **Date of Patent:** **** Dec. 17, 2002**

(54) **CLOTHES PEG**

(75) Inventors: **Bertrand Barré**, Lapeyrouse (FR);
Francis Lepage, Dommartin (FR)

(73) Assignee: **Readmark** (FR)

(**) Term: **14 Years**

(21) Appl. No.: **29/143,018**

(22) Filed: **Jun. 6, 2001**

(30) **Foreign Application Priority Data**

Dec. 6, 2000 (FR) 00 7147

(51) **LOC (7) Cl.** **07-05**

(52) **U.S. Cl.** **D32/61**

(58) **Field of Search** D6/326, 328; D8/394,
D8/395; D32/61, 64; 24/499, 508, 530,
545, 553, 557, 565, 570, 571, 507

(56) **References Cited**

U.S. PATENT DOCUMENTS

D309,809 S * 8/1990 Davidson D32/61
5,325,570 A * 7/1994 Chin-Ho 24/530

FOREIGN PATENT DOCUMENTS

EP 543787 * 5/1993 D06F/55/00
FR 2777917 * 10/1999 D06F/55/00
GB 1486831 * 9/1977 F16B/2/10

* cited by examiner

Primary Examiner—Alan P. Douglas

Assistant Examiner—Lavone Tabor

(74) *Attorney, Agent, or Firm*—Mathews, Collins,
Shepherd & McKay, P.A.

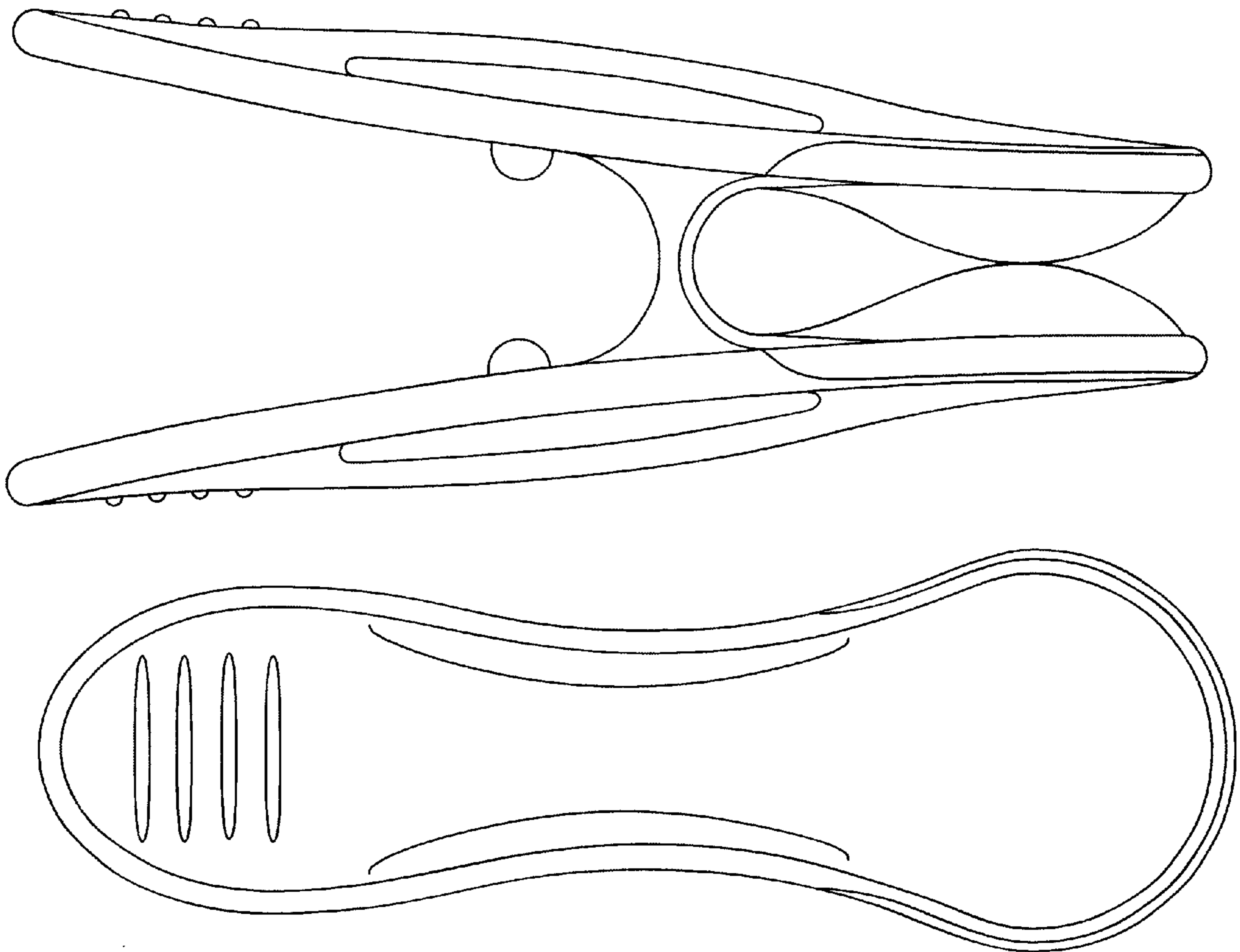
(57) **CLAIM**

The ornamental design for a clothes peg, as shown and described.

DESCRIPTION

FIG. 1 is a perspective view of our new design, with the clothes peg shown in the open position;
FIG. 2 is a side elevational view thereof with the clothes peg shown in the closed position;
FIG. 3 is a top plan view of FIG. 2;
FIG. 4 is an elevation view of the opposite side of FIG. 2;
FIG. 5 is a bottom plan view of FIG. 2;
FIG. 6 is a rear end elevational view of FIG. 2; and,
FIG. 7 is a front end elevational view of FIG. 2.

1 Claim, 4 Drawing Sheets



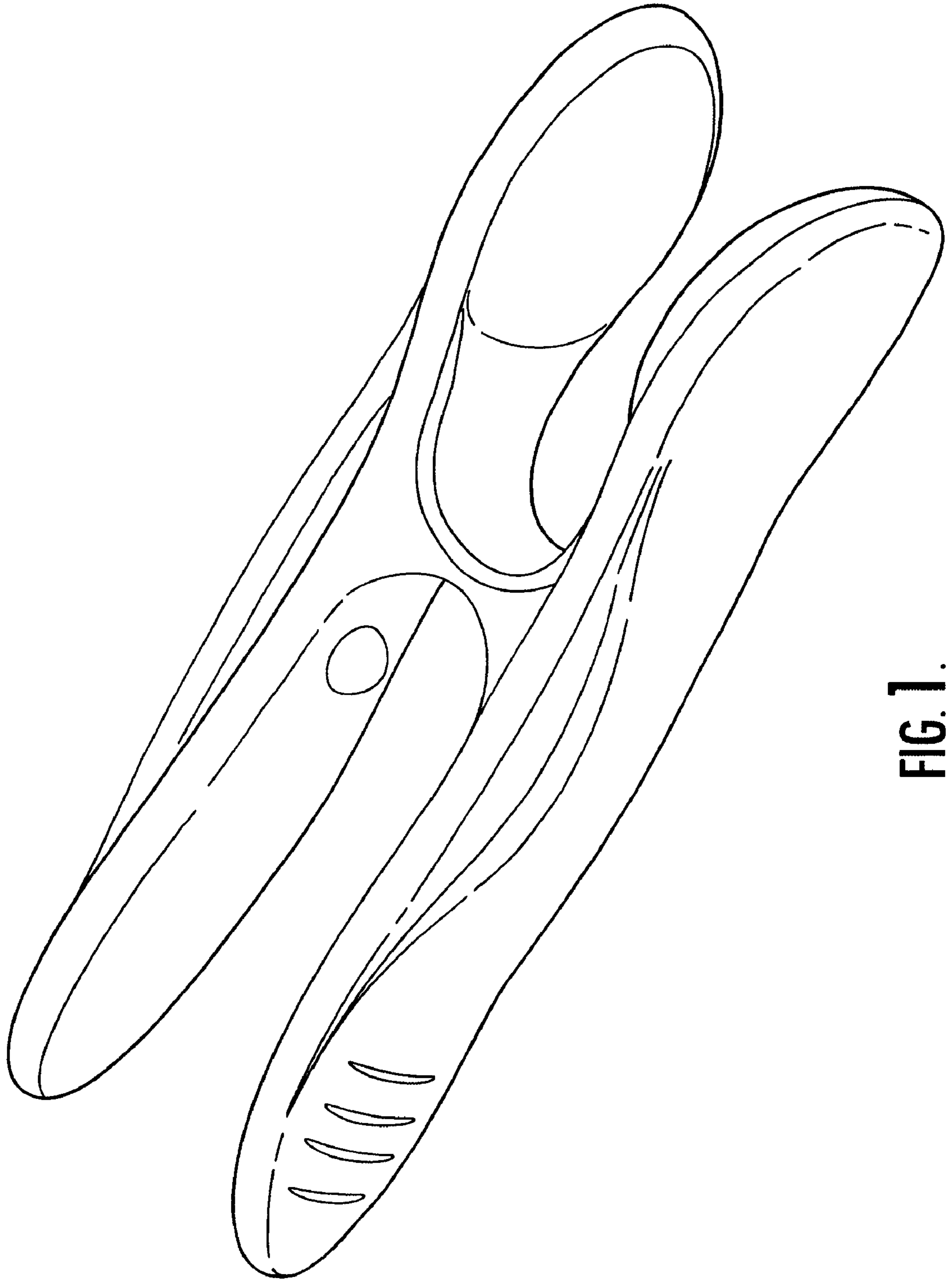


FIG. 1.

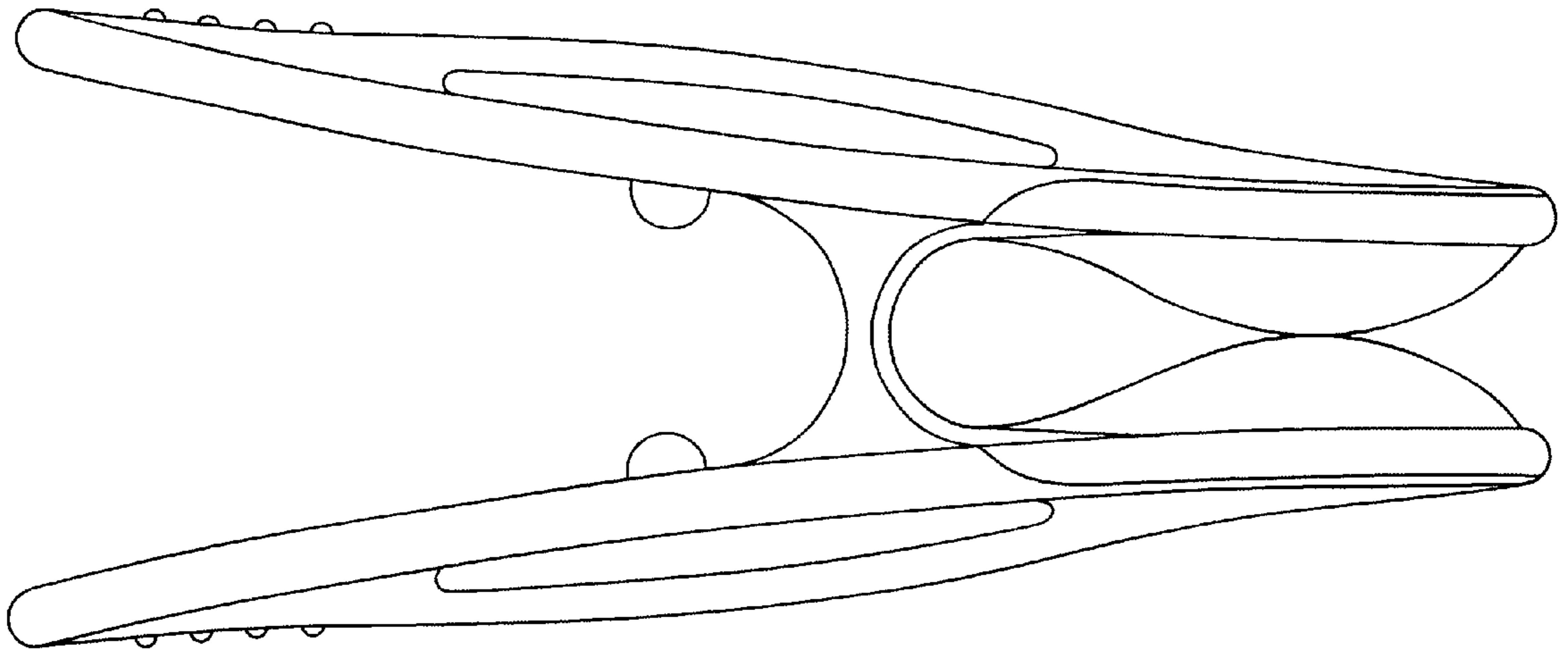


FIG. 2.

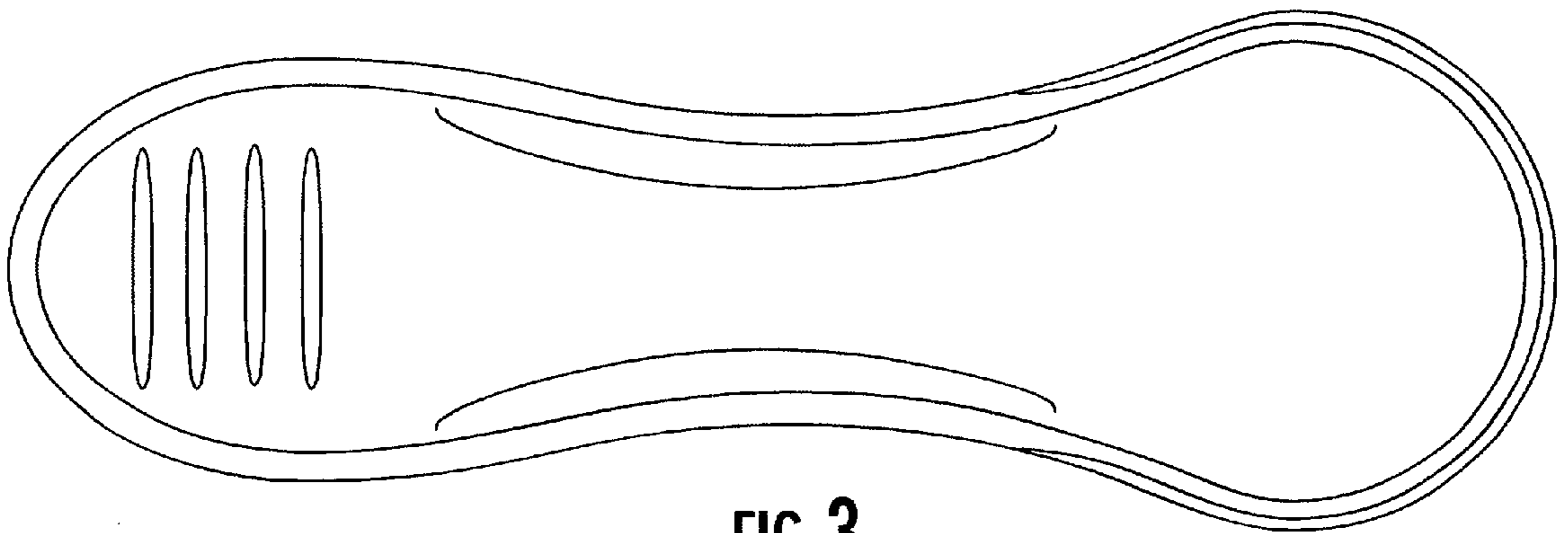


FIG. 3.

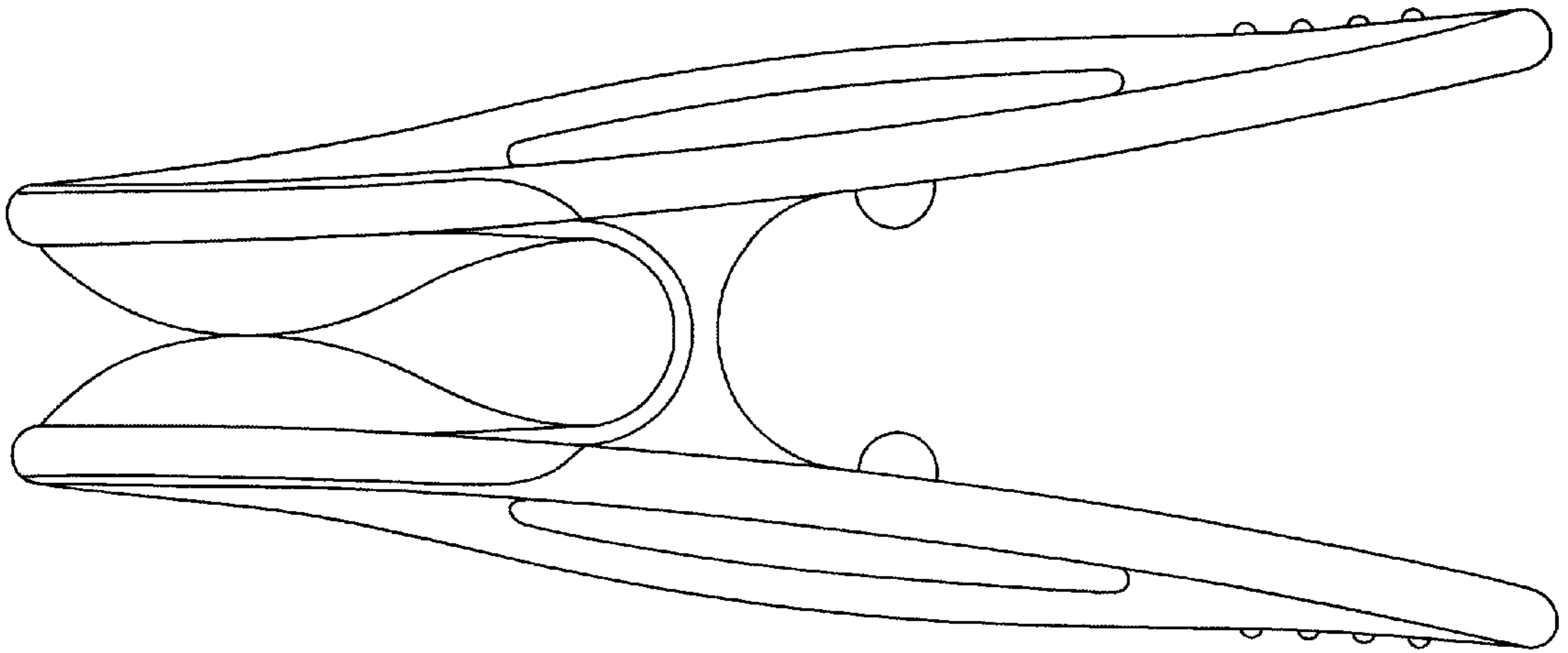


FIG. 4.

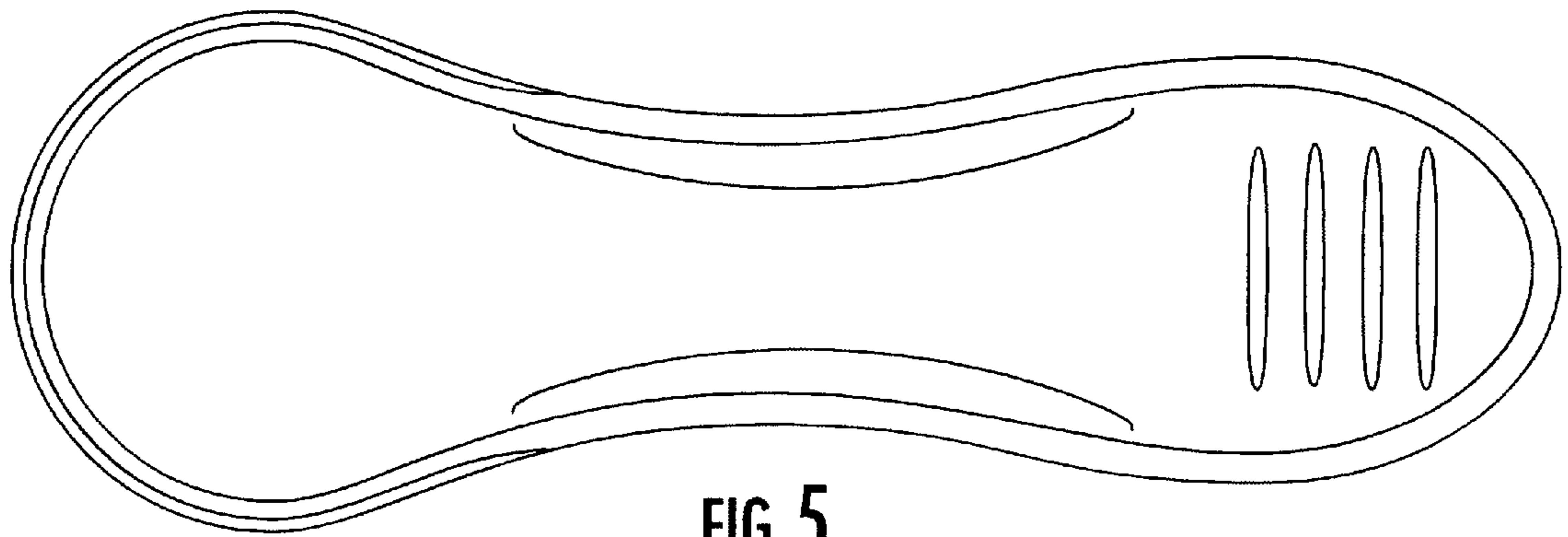


FIG. 5.

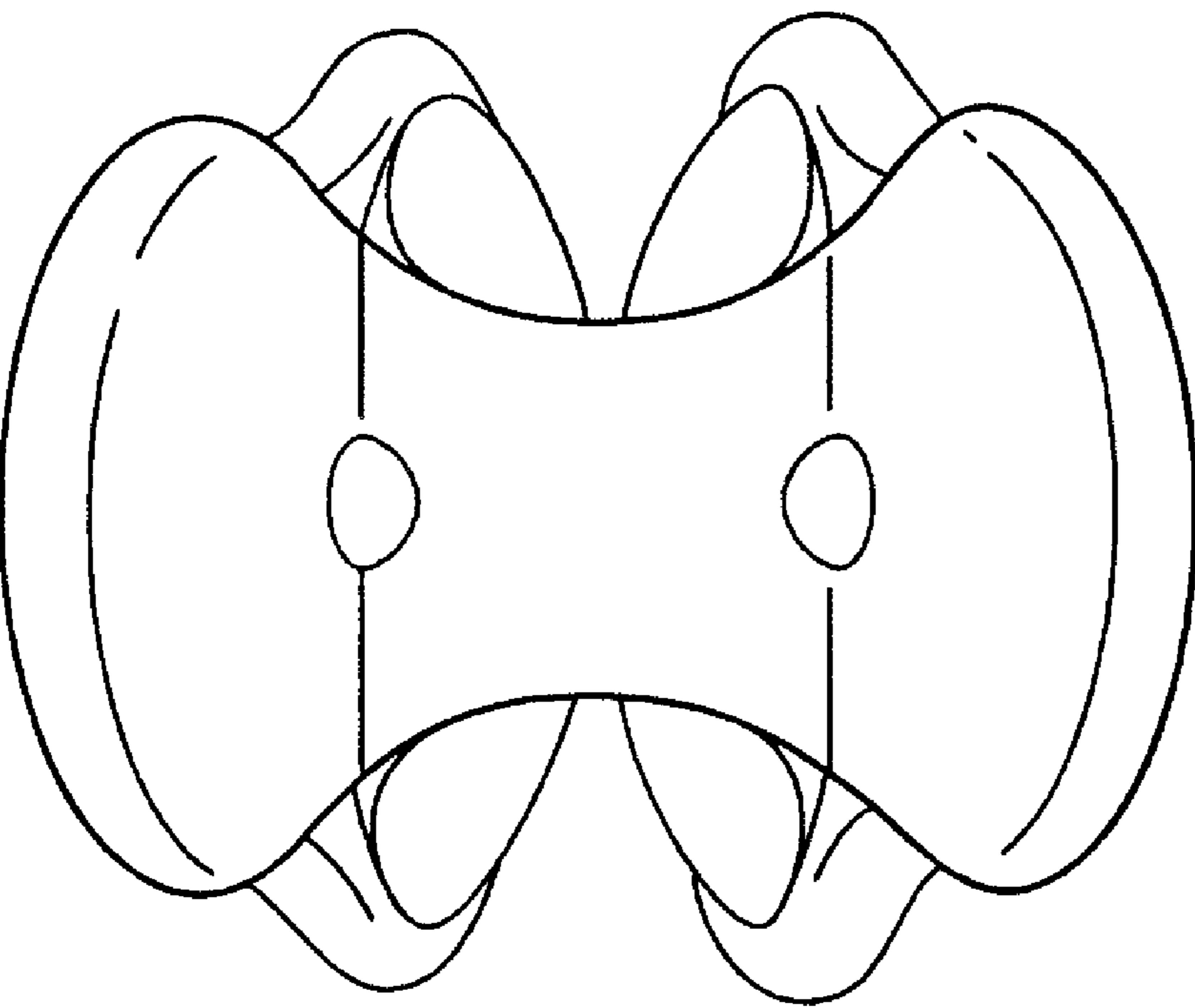


FIG. 6.

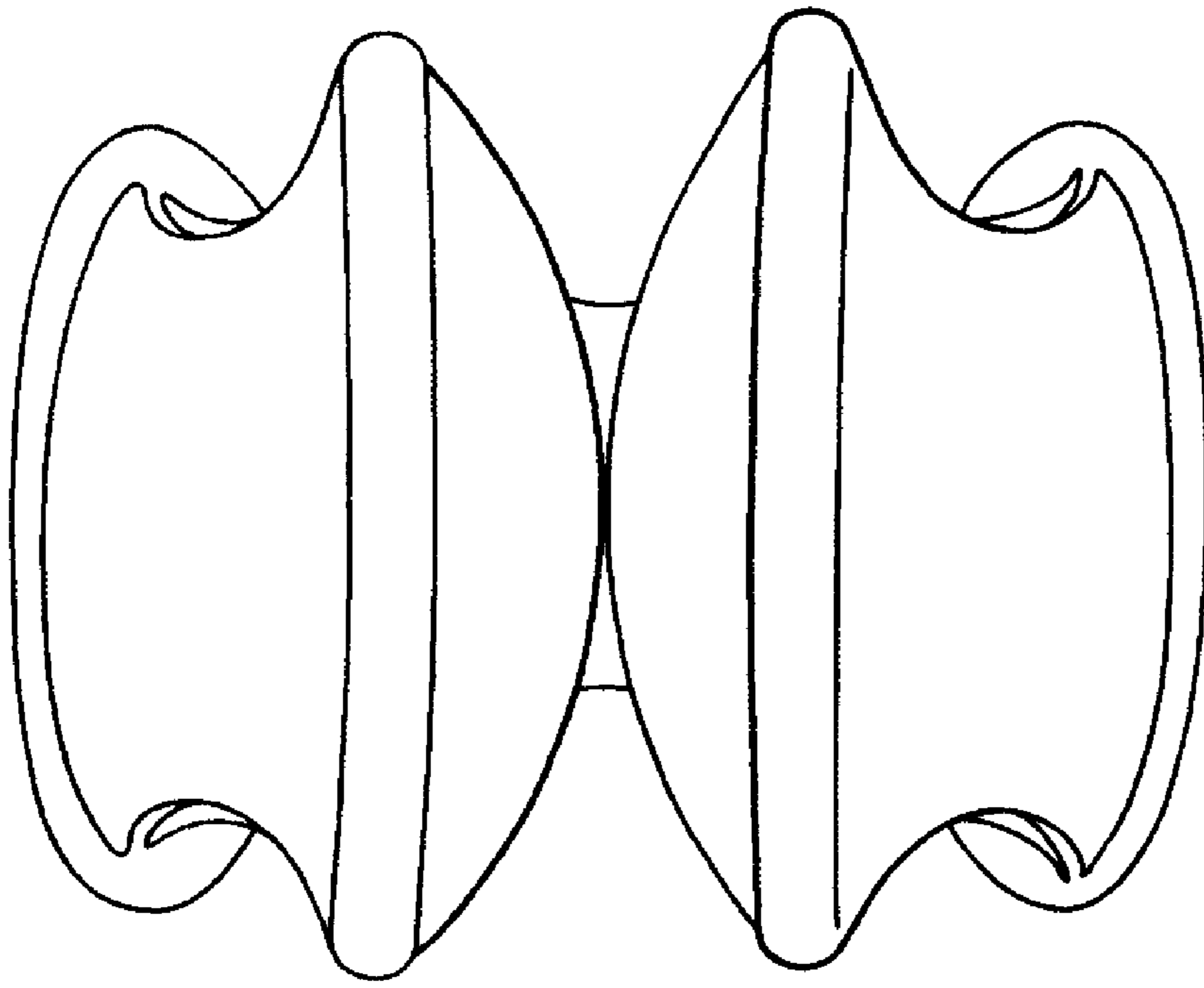


FIG. 7.