



US00D467399S

(12) **United States Design Patent**  
**Joseph**

(10) **Patent No.:** **US D467,399 S**

(45) **Date of Patent:** **\*\* Dec. 17, 2002**

(54) **CURVED DRAIN BOARD**

D279,320 S \* 6/1985 Ivanusic ..... D32/56  
5,472,790 A \* 12/1995 Thompson

(76) Inventor: **Rony Koshy Joseph, 2257 S.**  
**Sandpiper Ct., West Lafayette, IN (US)**  
**47906**

\* cited by examiner

*Primary Examiner*—Alan P. Douglas  
*Assistant Examiner*—Lavone D. Tabor

(\*\*) Term: **14 Years**

(57) **CLAIM**

(21) Appl. No.: **29/161,066**

The ornamental design for a curved drain board, as shown and described.

(22) Filed: **May 21, 2002**

**DESCRIPTION**

(51) **LOC (7) Cl.** ..... **07-05**

The invention is a device for receiving and draining water from dishes.

(52) **U.S. Cl.** ..... **D32/56**

FIG. 1 is a front perspective view of a curved drain board showing my new design;

(58) **Field of Search** ..... D32/55-57; D7/698;  
4/581, 637, 638, 656, 657; 211/85.25, 126.1;  
206/557; 220/572; D6/536

FIG. 2 is a bottom perspective view thereof;

FIG. 3 is a front elevation view thereof;

FIG. 4 is a rear elevation view thereof;

FIG. 5 is a right side elevation view thereof and it is the mirror image of the left side elevation view;

FIG. 6 is a top plan view thereof; and,

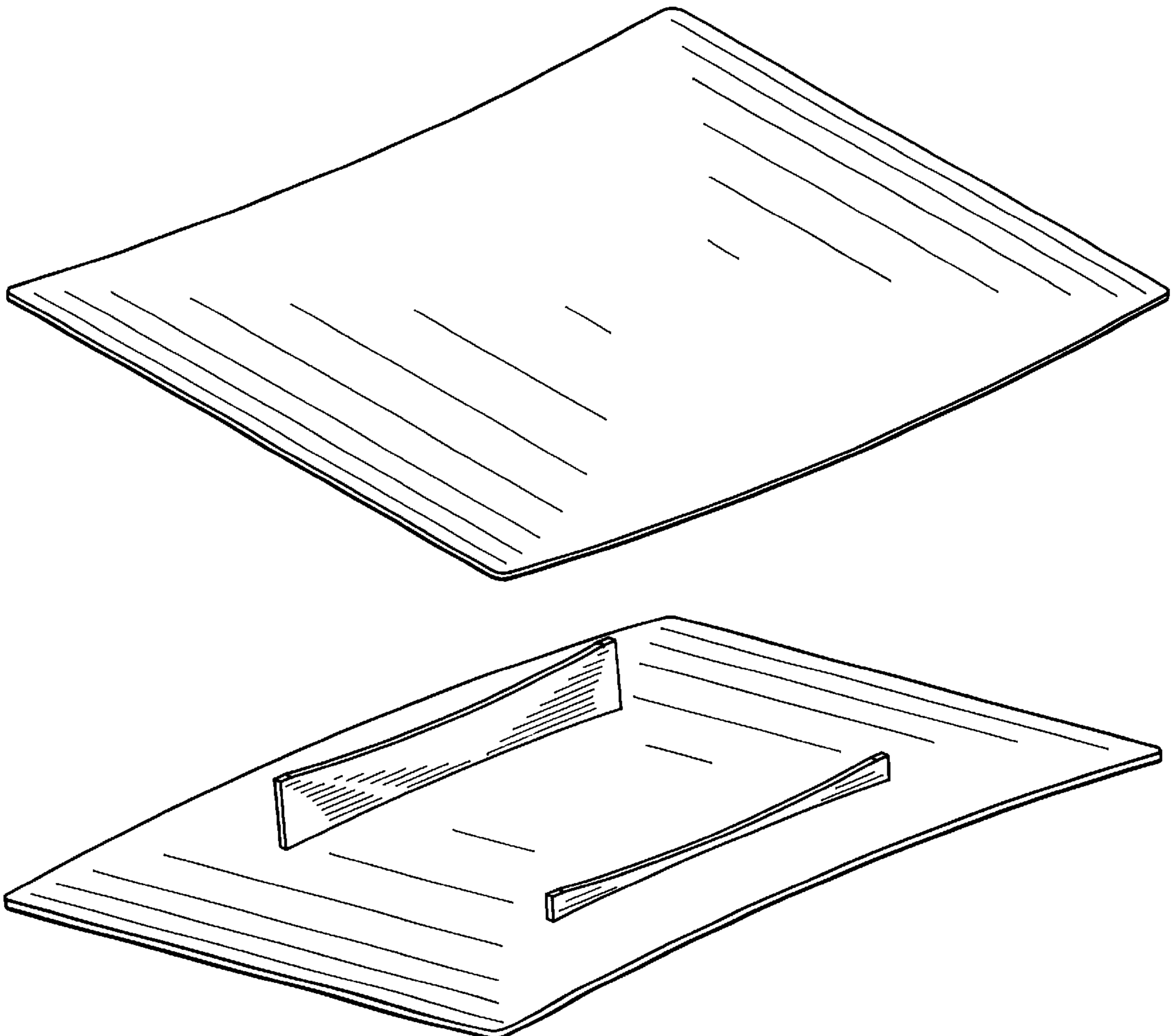
FIG. 7 is a bottom plan view thereof.

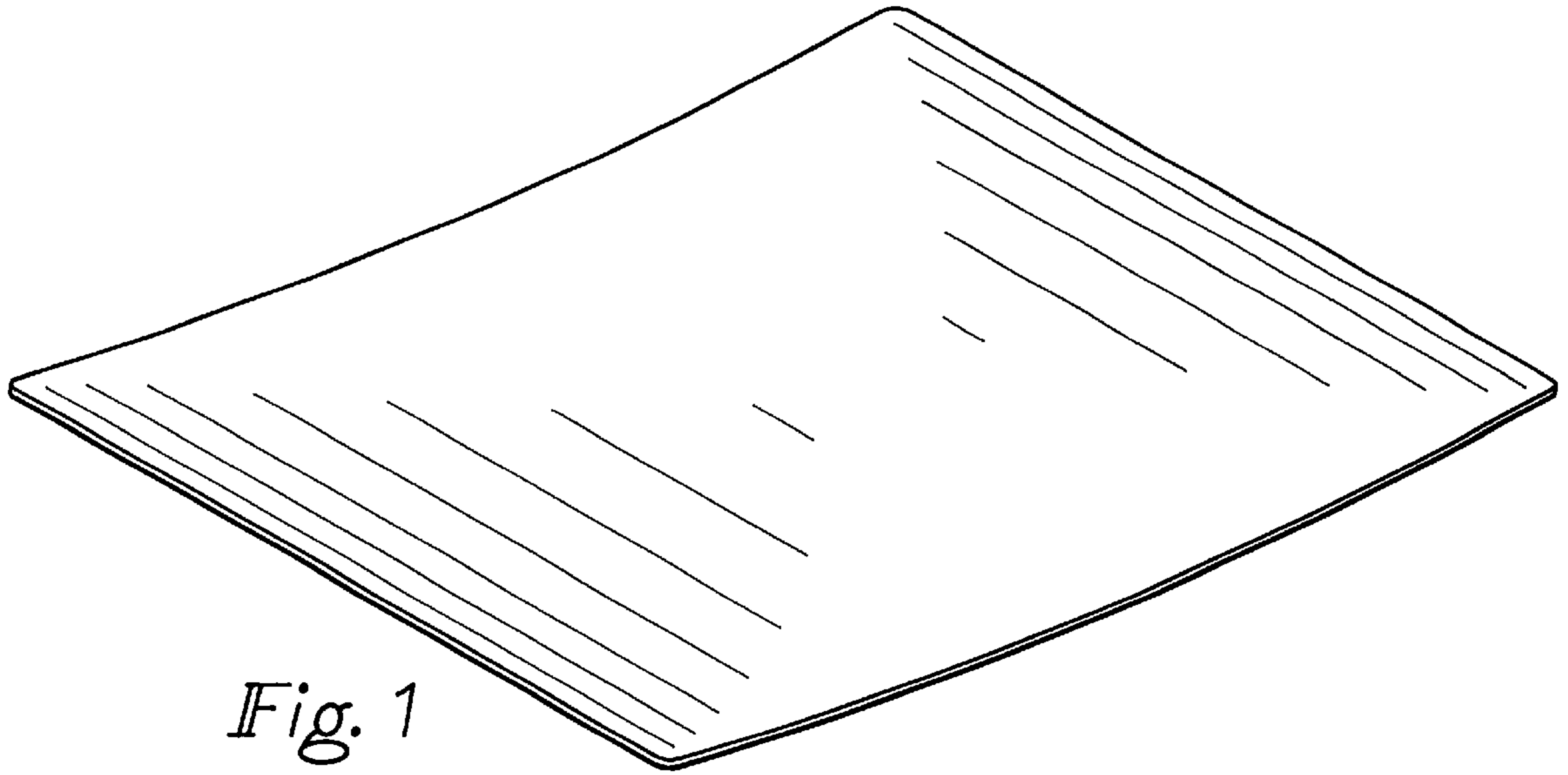
(56) **References Cited**

**U.S. PATENT DOCUMENTS**

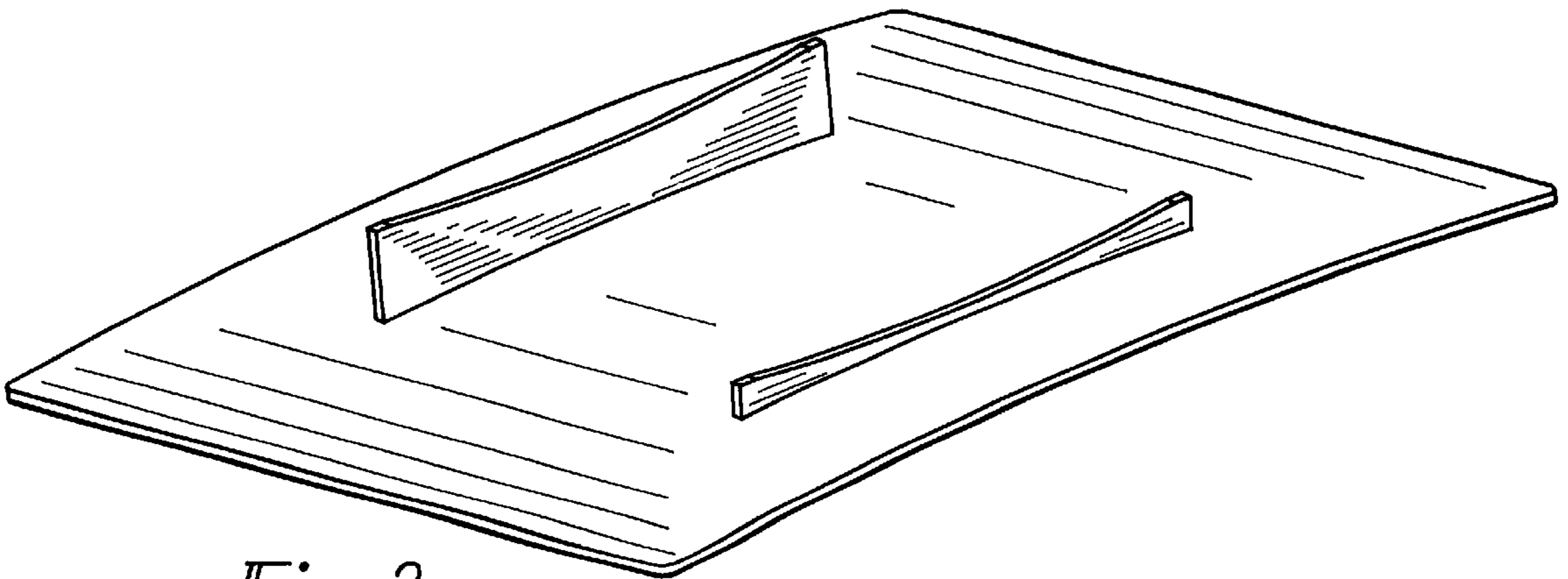
D196,169 S \* 9/1963 Steinberg ..... D32/56  
D212,335 S \* 10/1968 Schwartz ..... D6/536  
D273,904 S \* 5/1984 Pacheco ..... D32/56

**1 Claim, 3 Drawing Sheets**

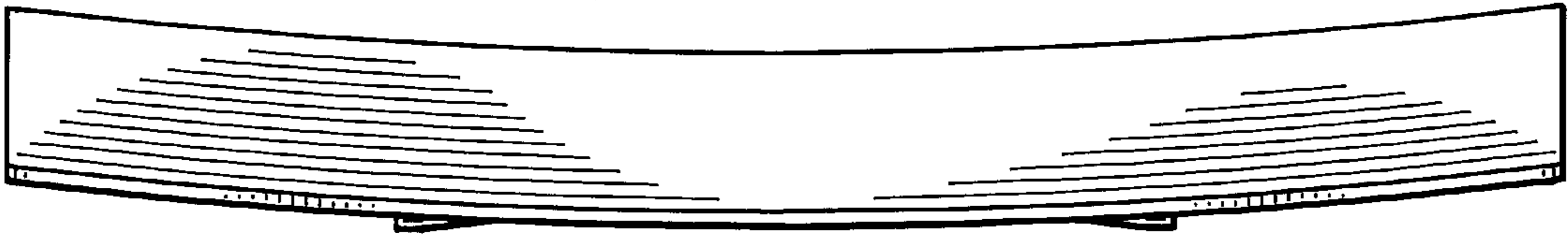




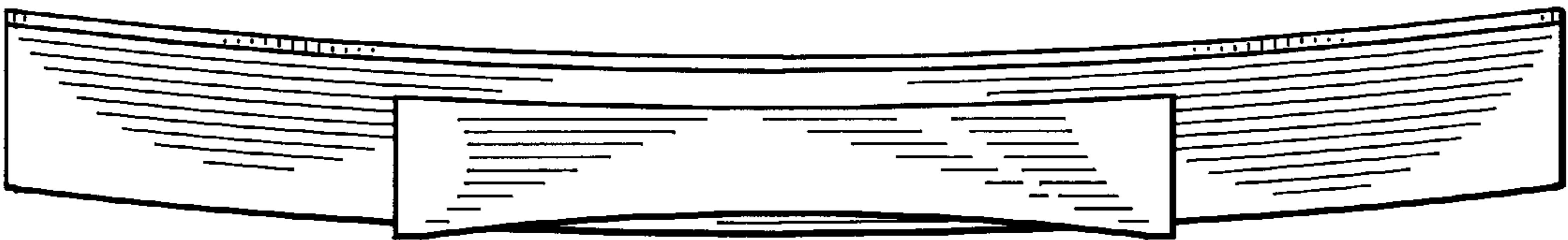
*Fig. 1*



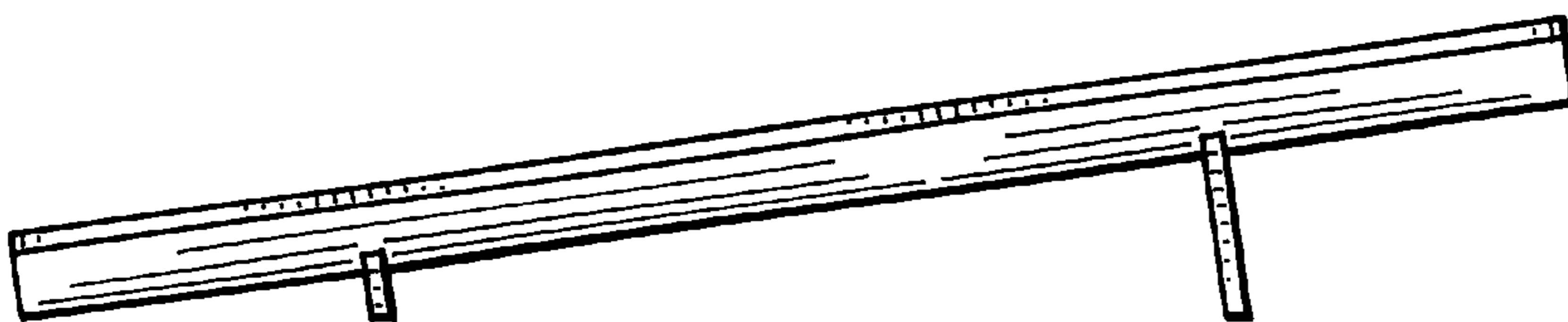
*Fig. 2*



*Fig. 3*

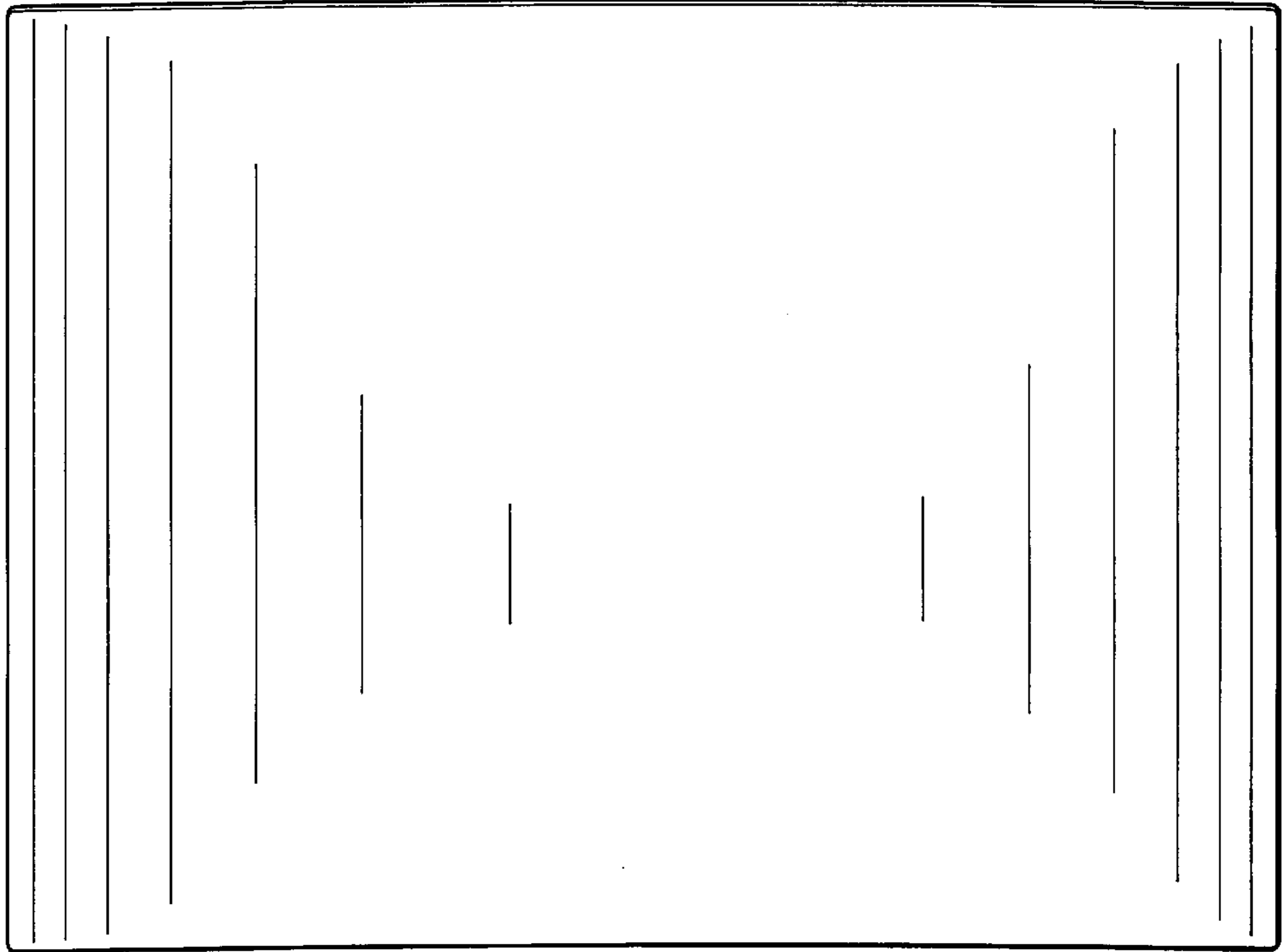


*Fig. 4*



*Fig. 5*

*Fig. 6*



*Fig. 7*

