



US00D467397S

(12) **United States Design Patent**
McCoy et al.

(10) **Patent No.:** **US D467,397 S**

(45) **Date of Patent:** **** Dec. 17, 2002**

(54) **BUCKET WITH TUBULAR SUPPORT**

(75) Inventors: **Richard W. McCoy**, Granger, IN (US);
Jacob S. Belinky, Carelton, MI (US);
George O. Snook, South Bend, IN
(US); **David A. Watch**, Canton, MI
(US)

(73) Assignee: **Reese Products, Inc.**, Elkhart, IN (US)

(**) Term: **14 Years**

(21) Appl. No.: **29/149,065**

(22) Filed: **Oct. 2, 2001**

(51) **LOC (7) Cl.** **07-07**

(52) **U.S. Cl.** **D32/53; D12/162**

(58) **Field of Search** D32/35, 53, 53.1;
15/257.05, 257.06, 264; 220/657-659, 904,
DIG. 12, DIG. 14, 570-571, 604, 605,
628; D3/304, 314; D12/406, 412, 413,
414.1, 162, 400; D25/68; 182/129; 211/88.01,
126.1; 224/488, 511, 519, 529-530; 248/210-211,
238; 280/491.2, 769

(56) **References Cited**

U.S. PATENT DOCUMENTS

3,103,290 A 9/1963 Perri

D251,479 S * 4/1979 Cherry D3/314
4,277,008 A * 7/1981 McCleary 224/530 X
5,018,651 A 5/1991 Hull et al.
D355,287 S * 2/1995 Camp, Jr. D32/53.1
D447,996 S * 9/2001 Belinky et al. D12/406
6,382,354 B2 * 5/2002 Ahl et al. 182/129

* cited by examiner

Primary Examiner—Alan P. Douglas

Assistant Examiner—Lavone Tabor

(74) *Attorney, Agent, or Firm*—King & Schickli, PLLC

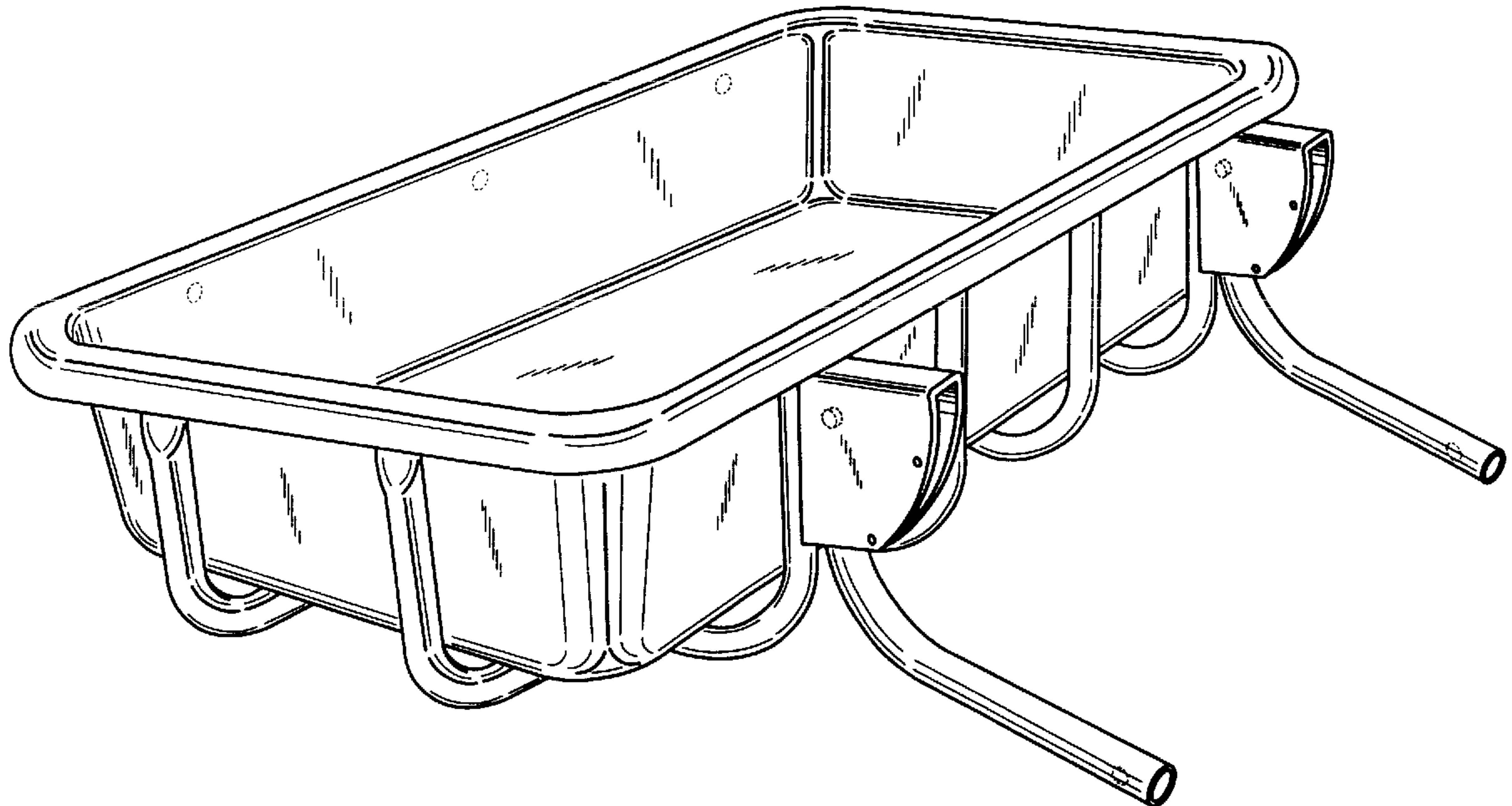
(57) **CLAIM**

The ornamental design for a bucket with tubular support, as shown and described.

DESCRIPTION

FIG. 1 is a perspective view of the bucket with tubular support of the present invention;
FIG. 2 is a rear elevational view thereof;
FIG. 3 is a front elevational view thereof;
FIG. 4 is a right side elevational view, the left side being a mirror image thereof;
FIG. 5 is a top plan view thereof; and,
FIG. 6 is a bottom plan view thereof.

1 Claim, 5 Drawing Sheets



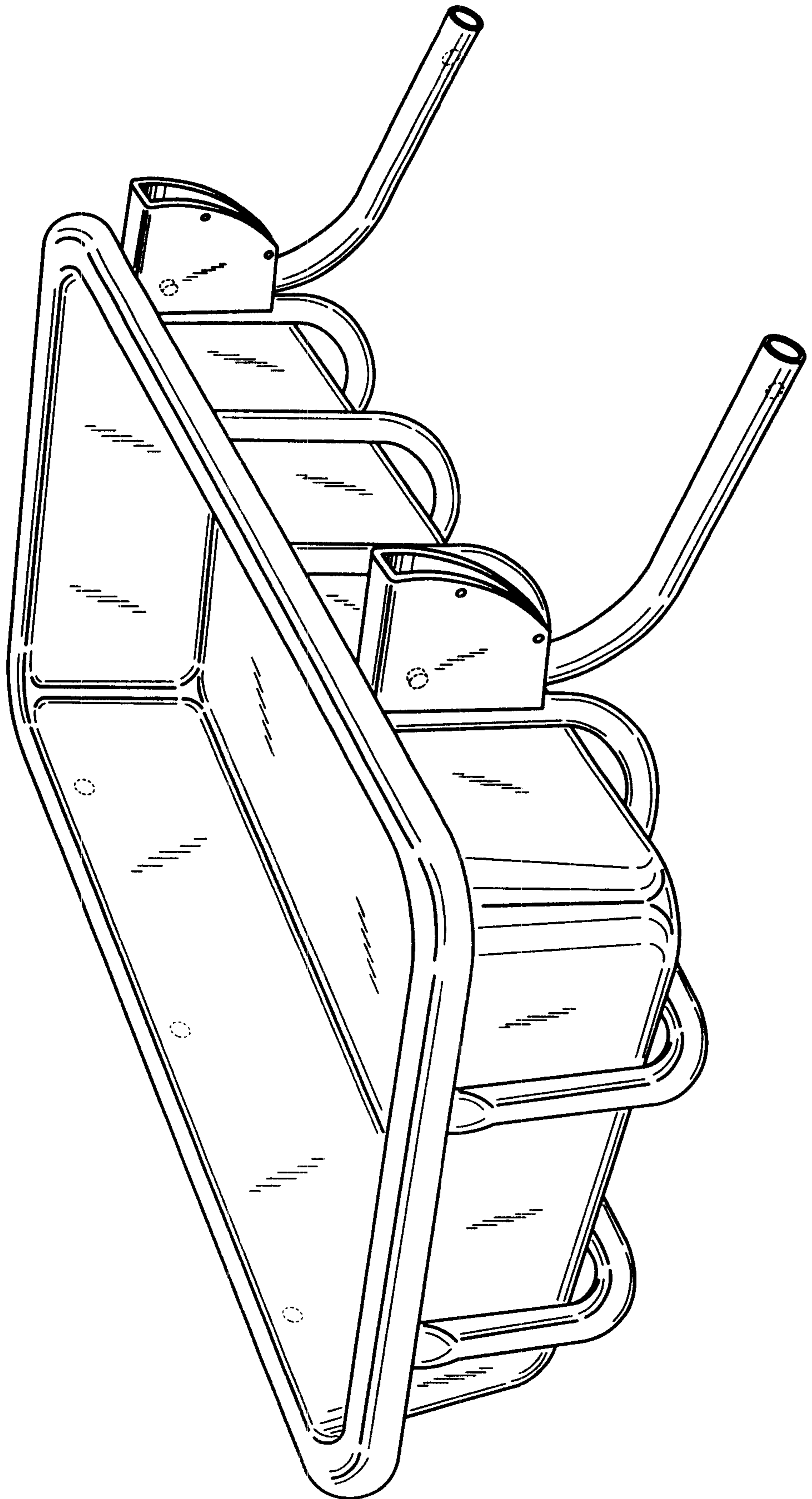


FIG. 1

FIG. 2

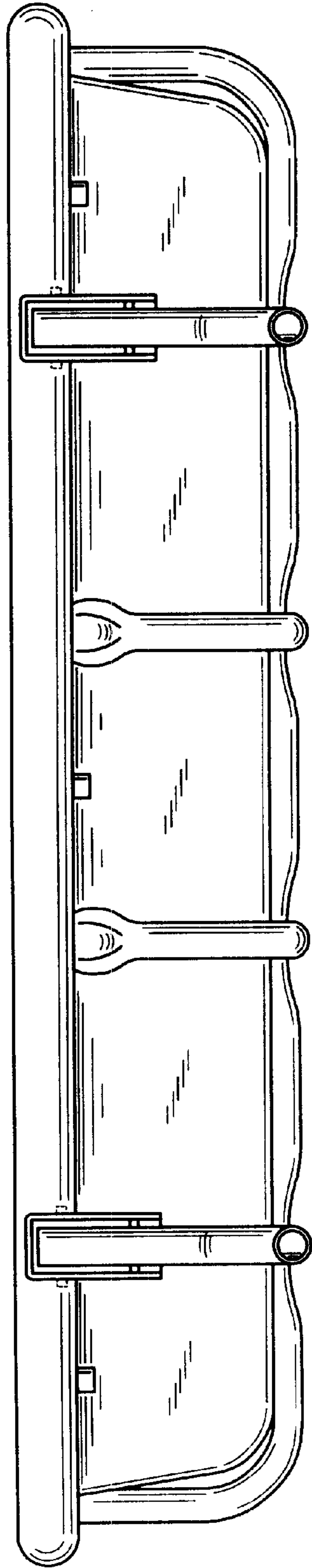


FIG. 3

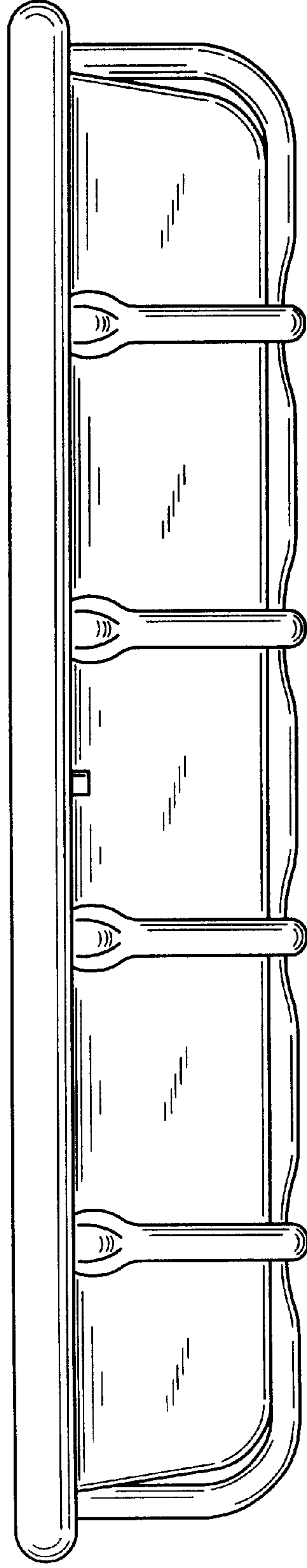


FIG. 4

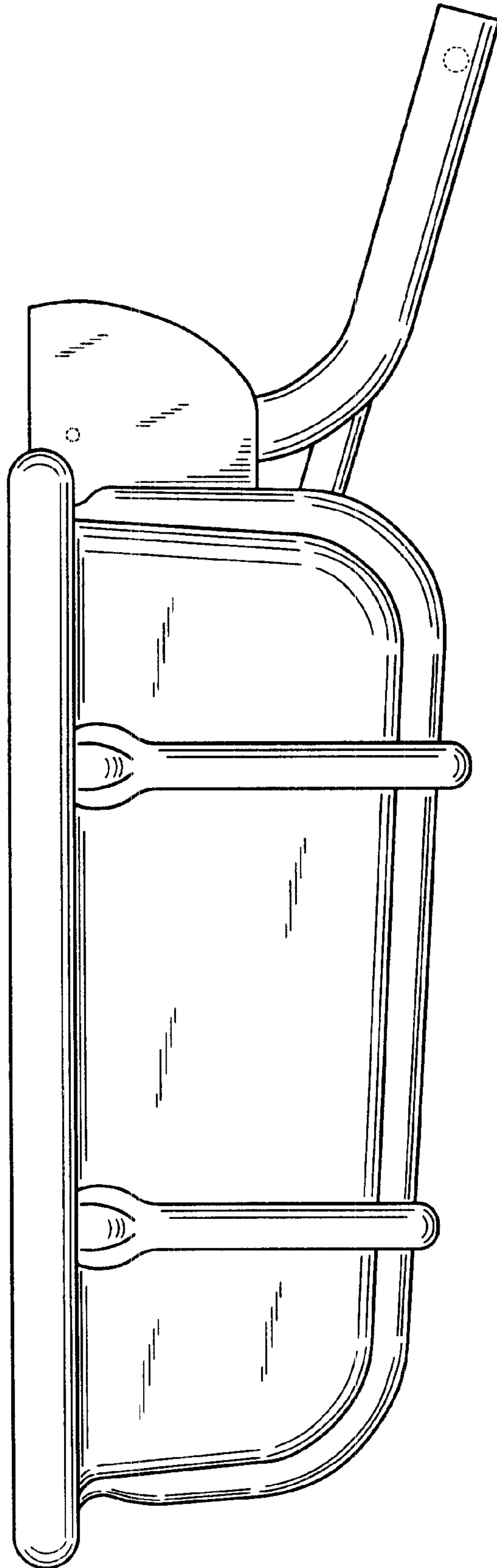
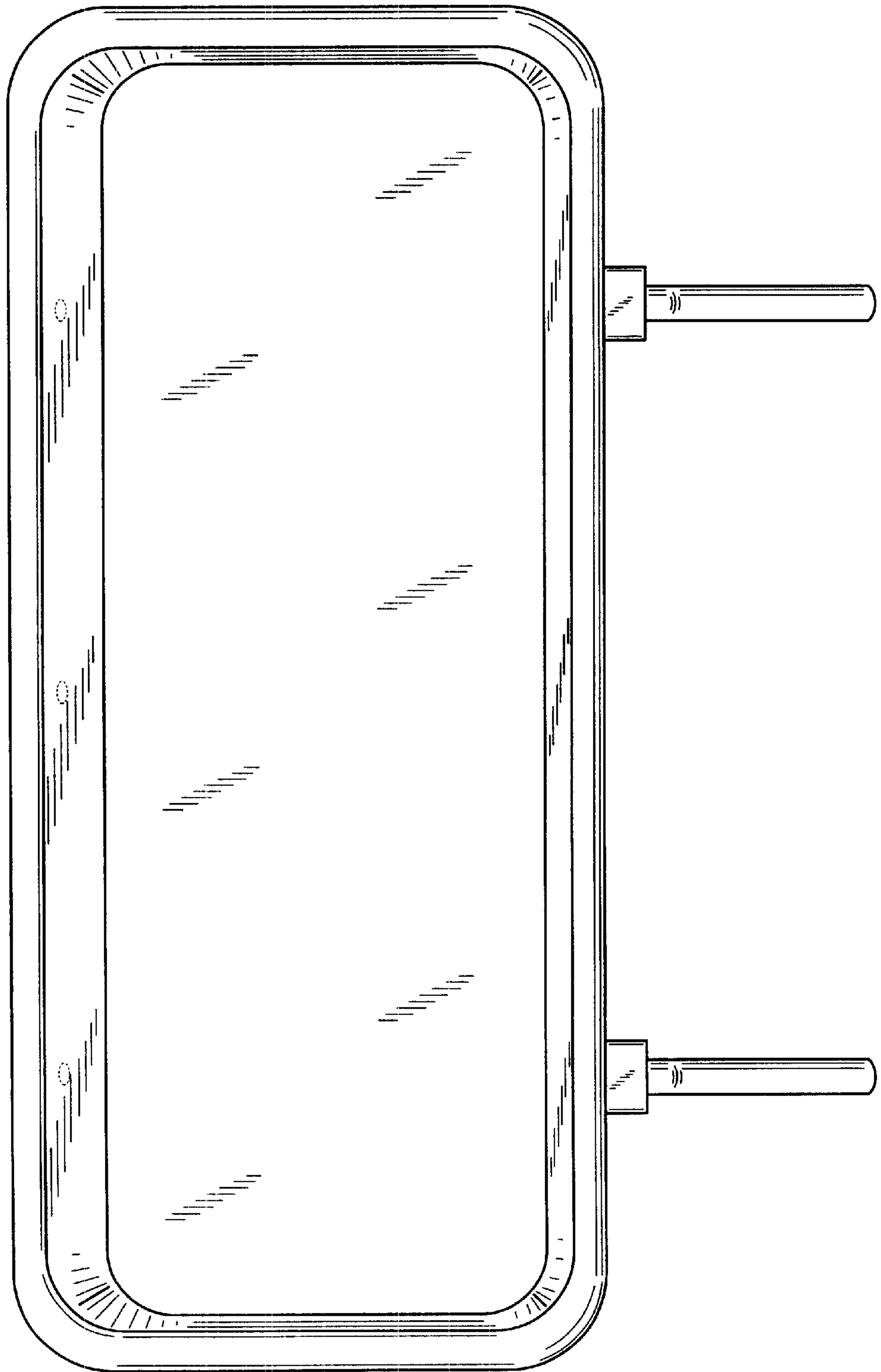


FIG. 5



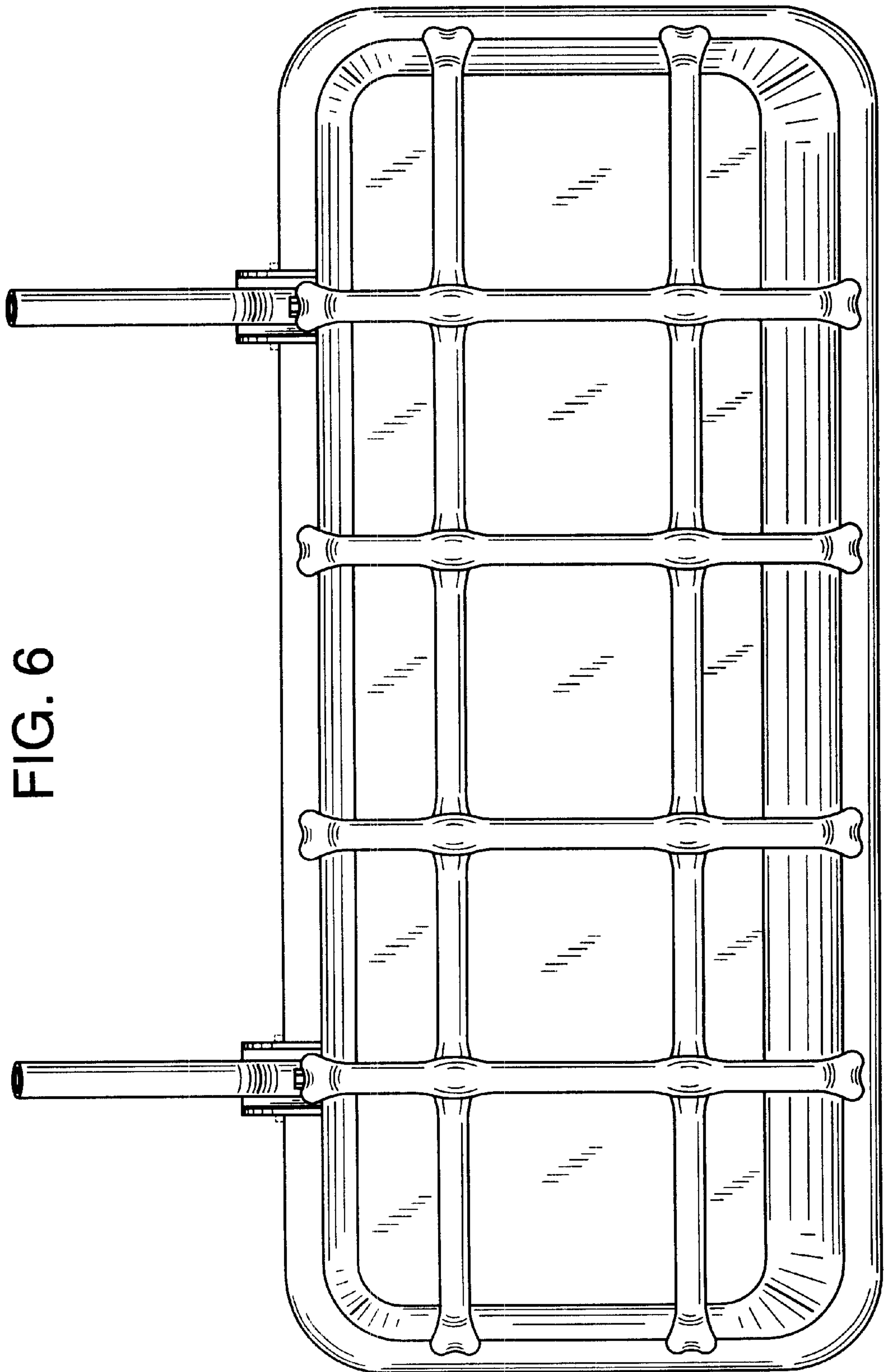


FIG. 6