



US00D467396S

(12) **United States Design Patent**
Savage

(10) **Patent No.:** **US D467,396 S**

(45) **Date of Patent:** **** Dec. 17, 2002**

(54) **CLEANING TOOL WITH INTERCHANGEABLE HEADS**

(76) Inventor: **Herman C Savage**, 151 Engle St., Apt A 9, Englewood, NJ (US) 07631

(**) Term: **14 Years**

(21) Appl. No.: **29/147,235**

(22) Filed: **Aug. 24, 2001**

(51) **LOC (7) Cl.** **04-01**

(52) **U.S. Cl.** **D32/51**

(58) **Field of Search** D32/40, 50, 51;
15/119.2, 144.2, 208, 209.1, 210.1, 244.1,
244.2, 228

(56) **References Cited**

U.S. PATENT DOCUMENTS

1,509,381	A	9/1924	Townsend	
2,764,774	A	* 10/1956	Belsky et al.	15/144.2
3,491,397	A	1/1970	Hesener	
3,991,431	A	* 11/1976	Thielen	15/228
4,190,922	A	3/1980	Elias	
D288,138	S	2/1987	Smith	
4,970,750	A	11/1990	Davis	
5,323,506	A	6/1994	Babitch	
5,603,138	A	* 2/1997	Bonis	15/145
D384,457	S	* 9/1997	Morissette	D32/51
5,678,278	A	* 10/1997	McBride et al.	15/244.1
6,029,308	A	* 2/2000	Smith	15/145

D423,742 S * 4/2000 Kingry et al. D32/40

* cited by examiner

Primary Examiner—Jennifer Rivard

(57) **CLAIM**

The ornamental design for a cleaning tool with interchangeable heads, as shown and described.

DESCRIPTION

FIG. 1 is a front elevational view of the cleaning tool with interchangeable heads of the present invention; the rear view being a mirror image thereof;

FIG. 2 is a left side elevational view of the cleaning tool with interchangeable heads of FIG. 1;

FIG. 3 is a right side elevational view of the cleaning tool with interchangeable heads of FIG. 1;

FIG. 4 is a top plan view of the cleaning tool with interchangeable heads of FIG. 1;

FIG. 5 is a bottom plan view of the cleaning tool with interchangeable heads of FIG. 1;

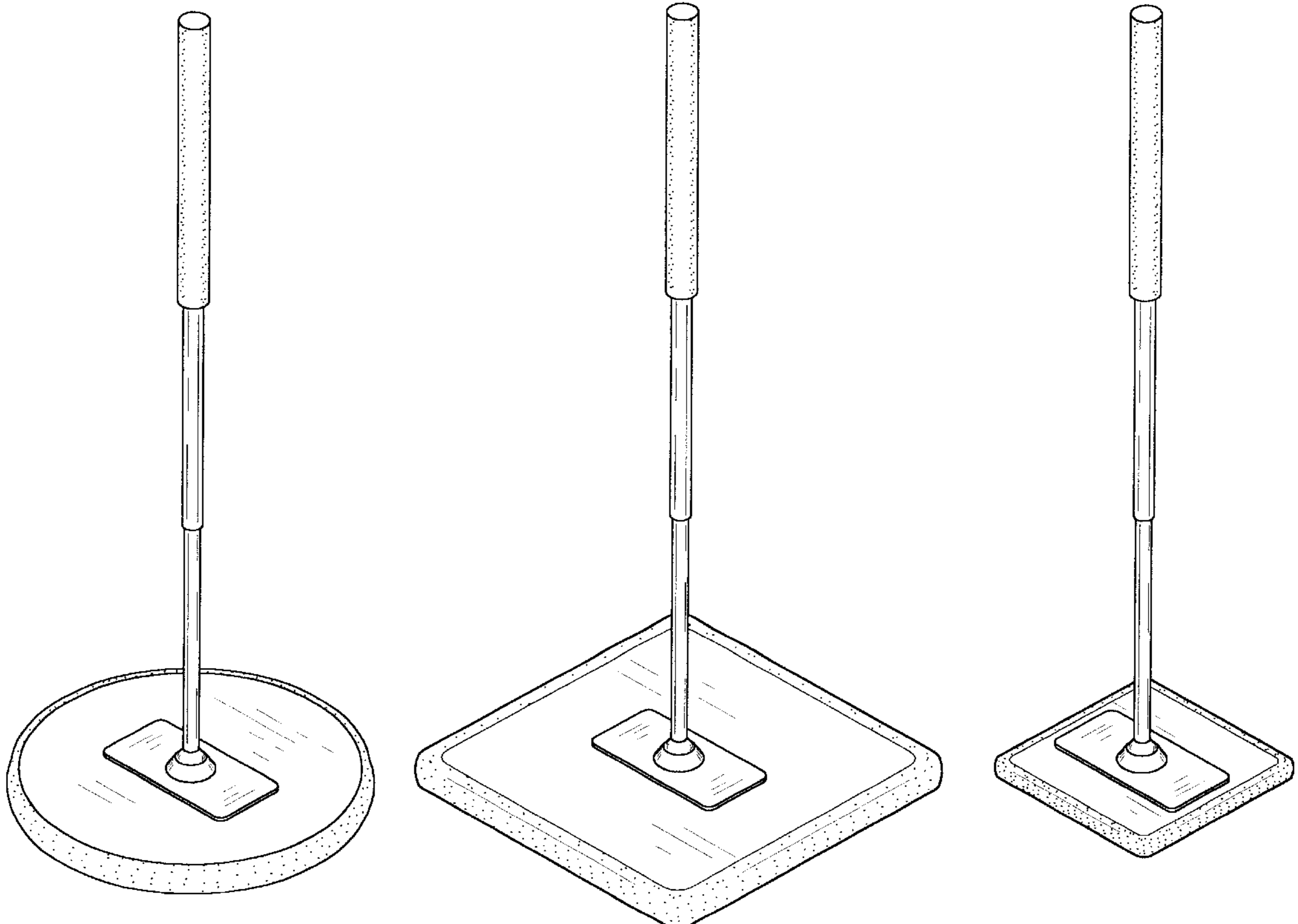
FIG. 6 is a front elevational view in an alternate position (attached);

FIG. 7 is a top, front, right side perspective featuring an alternate embodiment of the head (round sponge);

FIG. 8 is a top, front, right side perspective featuring an alternate embodiment of the head (square sponge); and,

FIG. 9 is a top, front right side perspective featuring an alternate embodiment of the head (smaller square sponge).

1 Claim, 8 Drawing Sheets



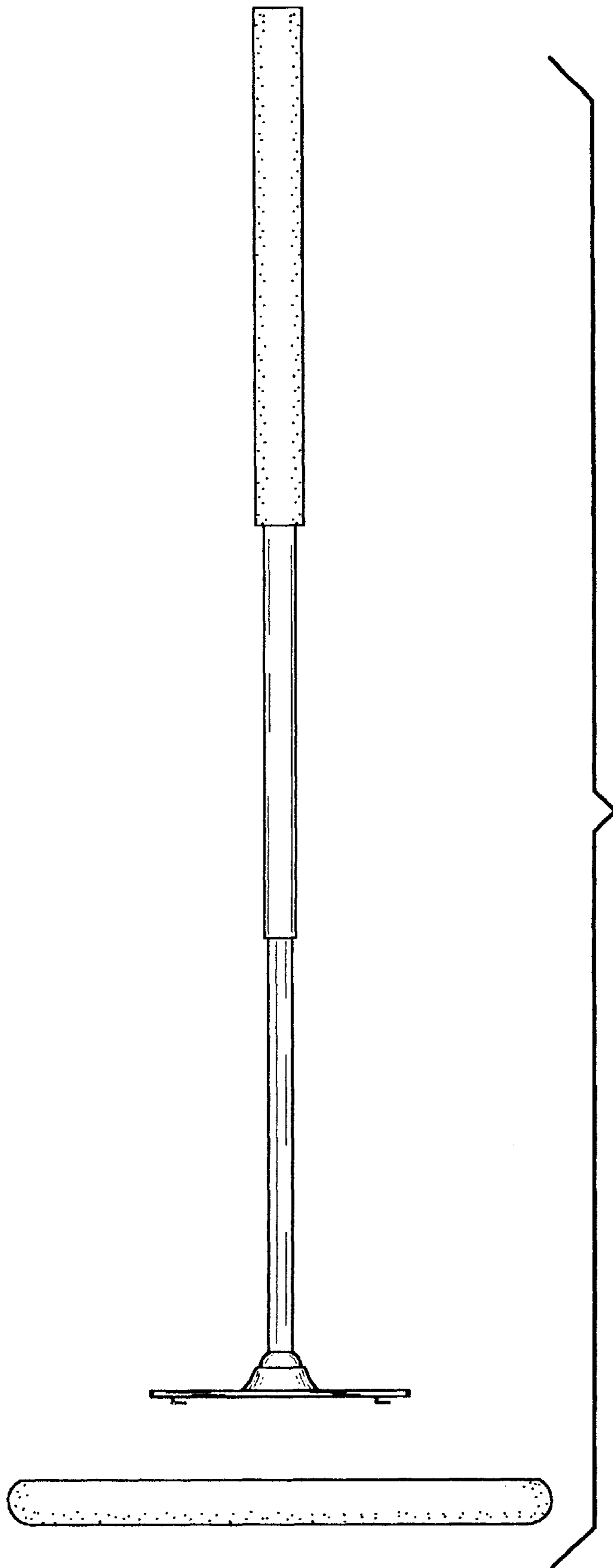
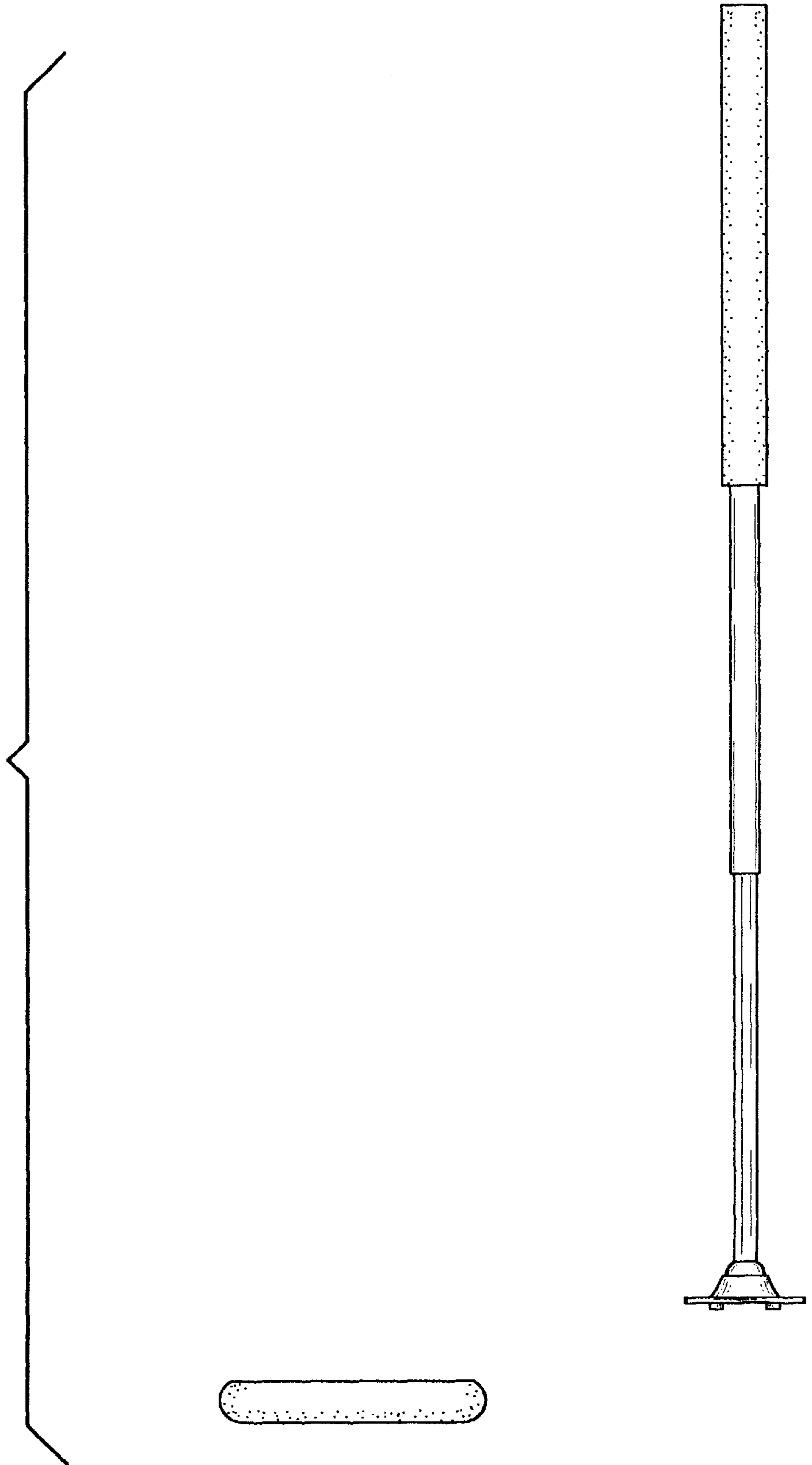


FIG. 1

FIG. 2



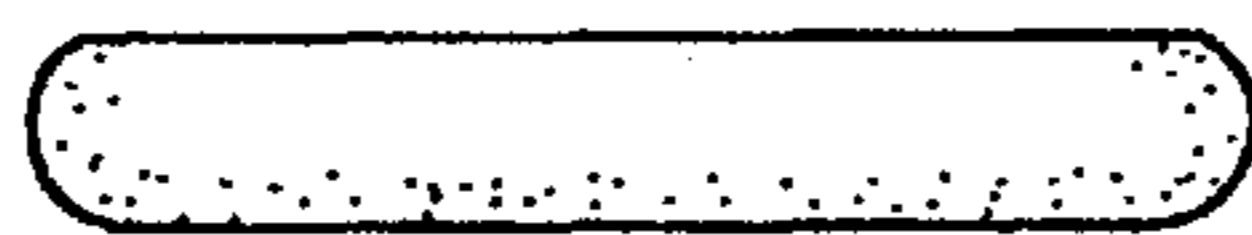
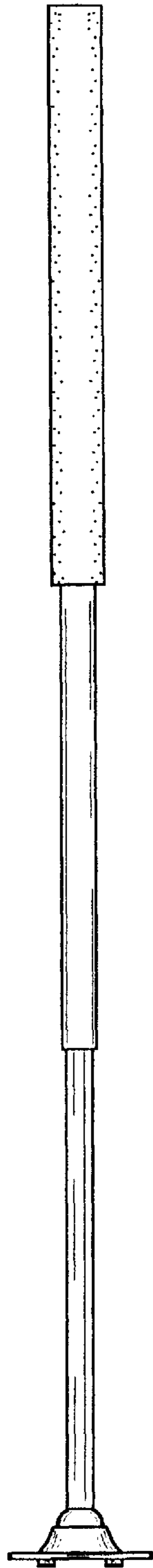


FIG. 3

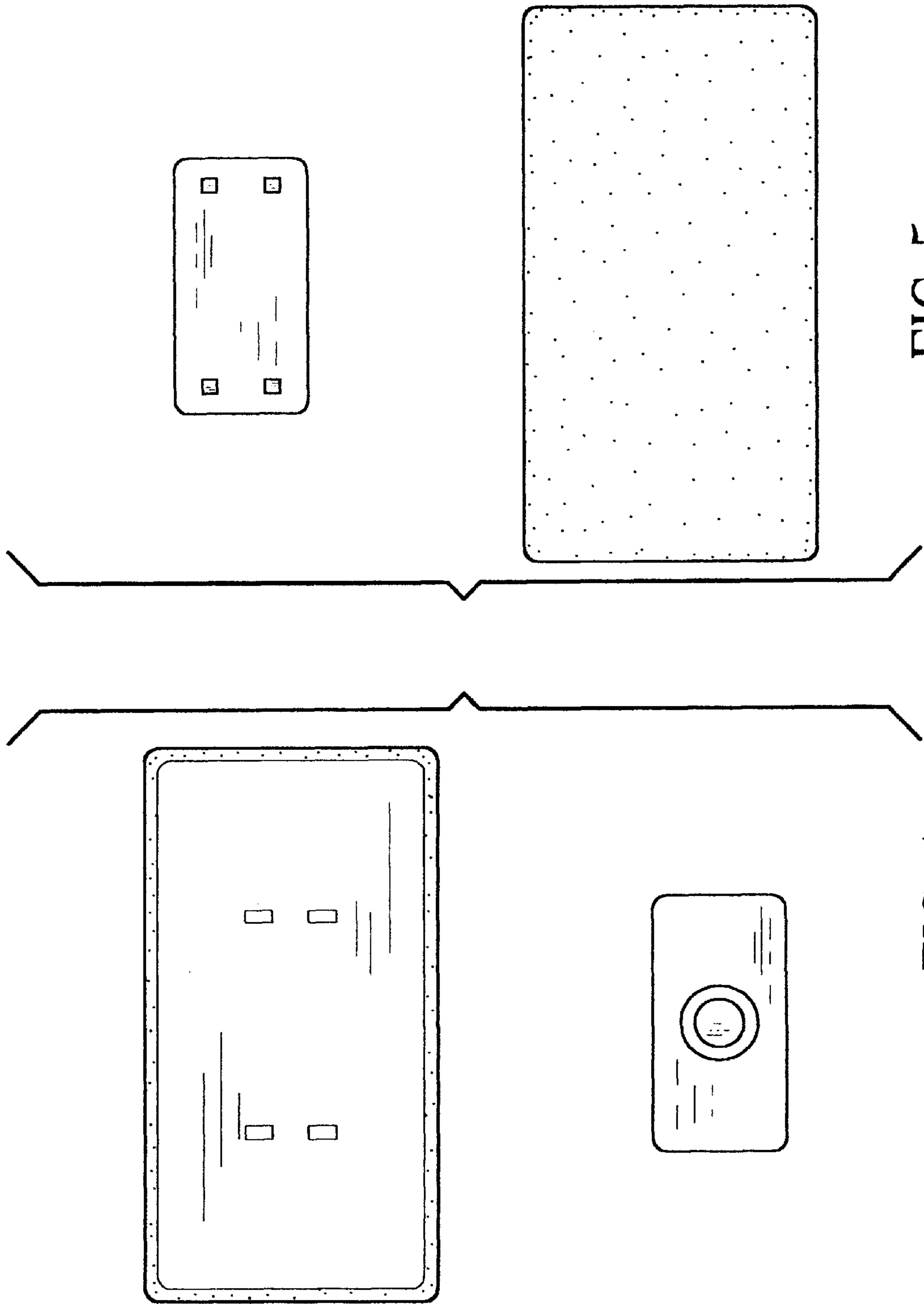


FIG. 5

FIG. 4

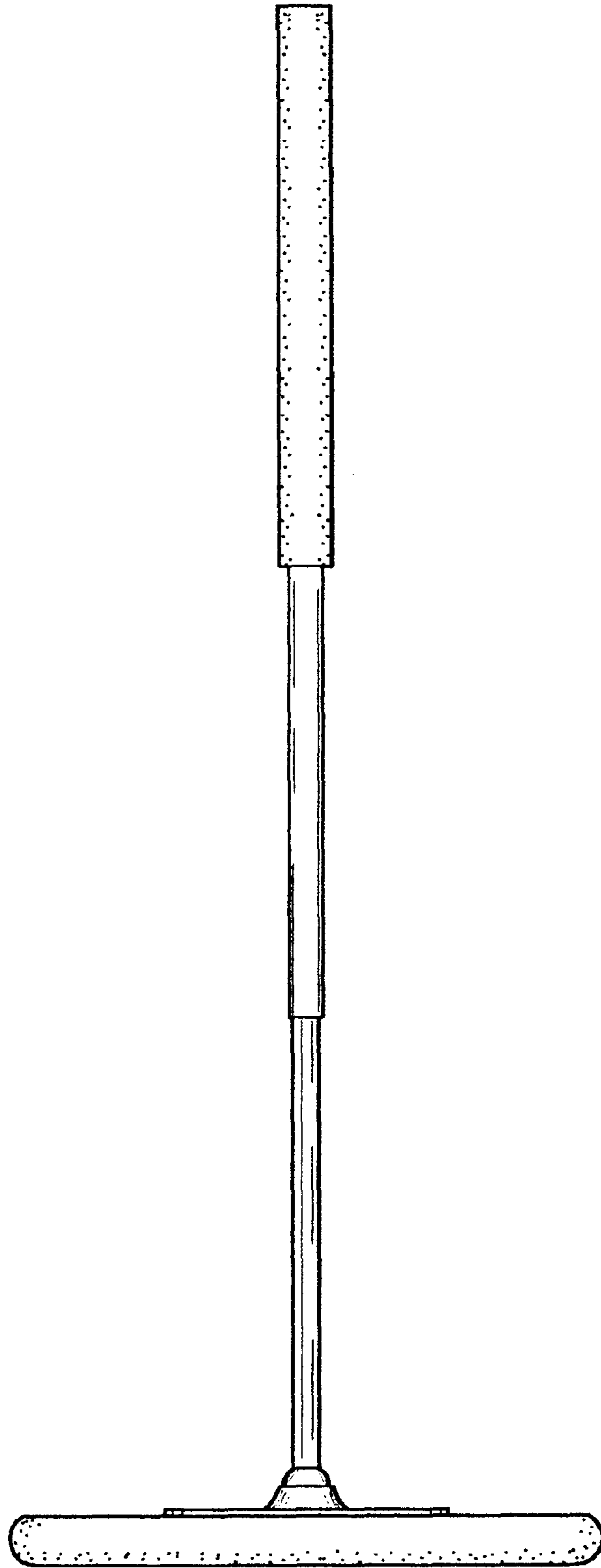


FIG. 6

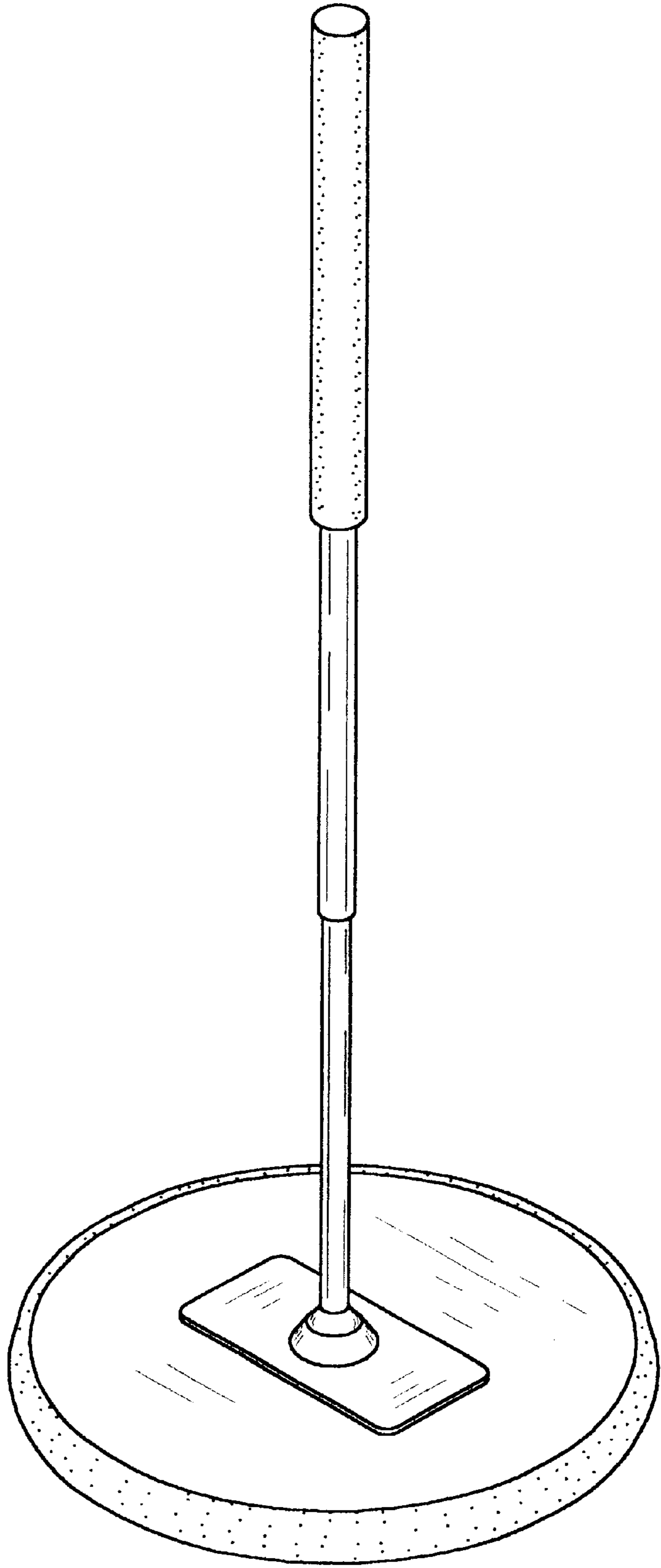


FIG. 7

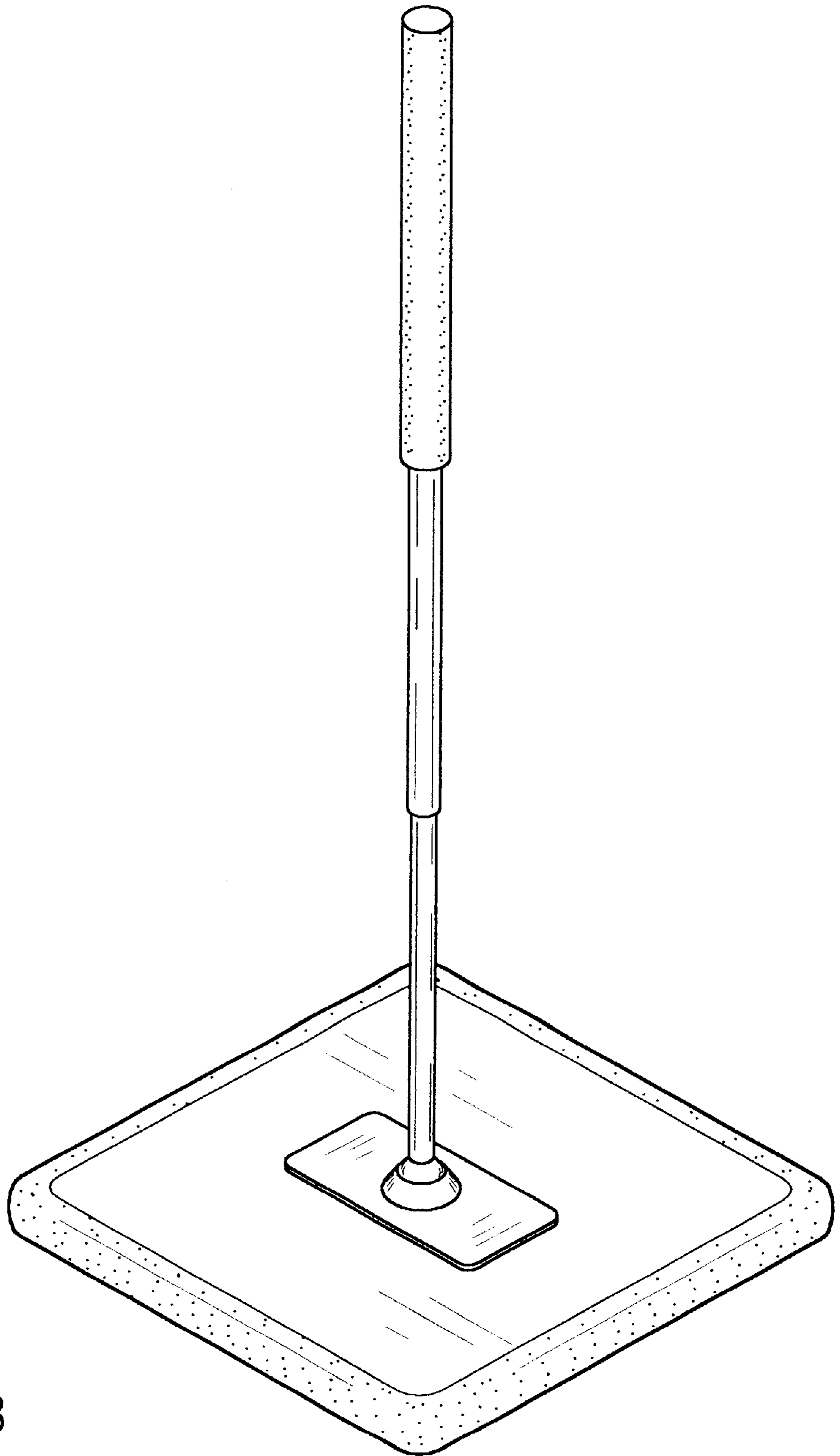


FIG. 8

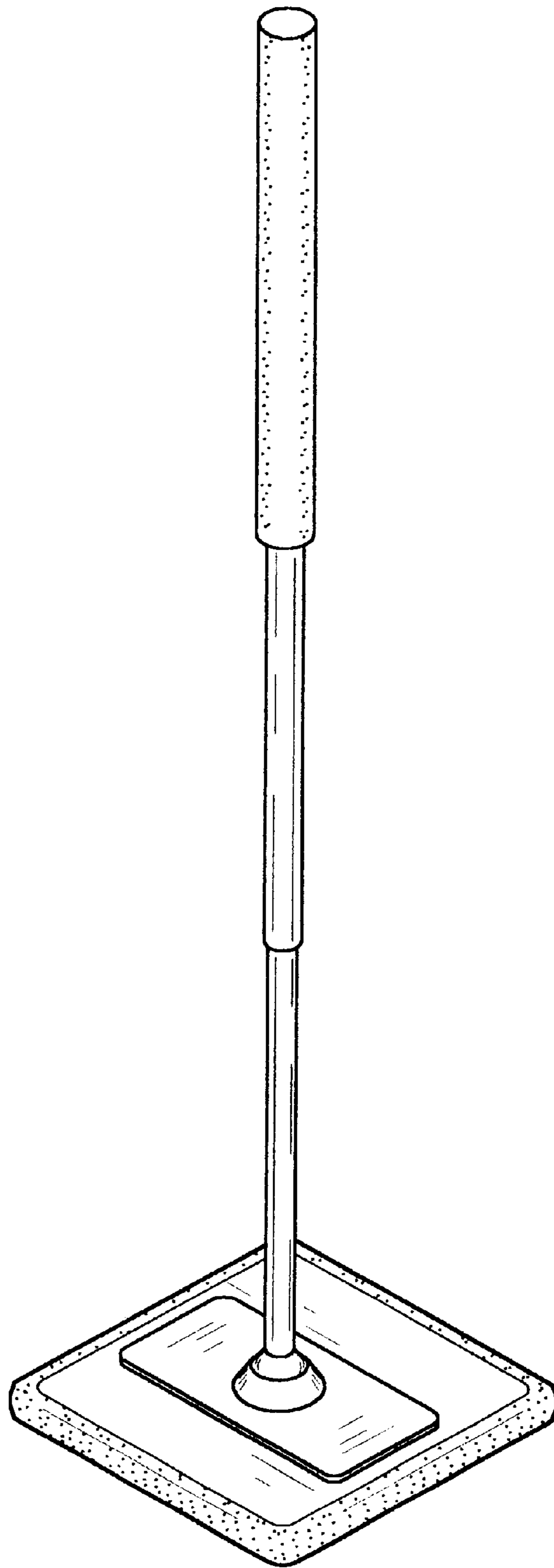


FIG. 9