

US00D467395S

(12) **United States Design Patent**
McCool

(10) **Patent No.:** **US D467,395 S**

(45) **Date of Patent:** **** Dec. 17, 2002**

(54) **SINGLE EDGE SCRAPER**

5,666,732 A 9/1997 Shea
5,829,082 A 11/1998 Moreira

(75) Inventor: **Gregory F. McCool**, Staunton, VA (US)

* cited by examiner

(73) Assignee: **American Safety Razor Company**,
Verona, VA (US)

Primary Examiner—Alan P. Douglas

Assistant Examiner—Lavone Tabor

(**) Term: **14 Years**

(74) *Attorney, Agent, or Firm*—McDermott, Will & Emery

(21) Appl. No.: **29/127,347**

(57) **CLAIM**

(22) Filed: **Aug. 7, 2000**

The ornamental design for a single edge scraper, as shown and described.

(51) **LOC (7) Cl.** **08-05**

DESCRIPTION

(52) **U.S. Cl.** **D32/48**

(58) **Field of Search** D8/98-99; D32/40,
D32/46, 48-49; 7/105, 167; 30/162, 169,
320, 335, 336; 15/236.01, 236.02

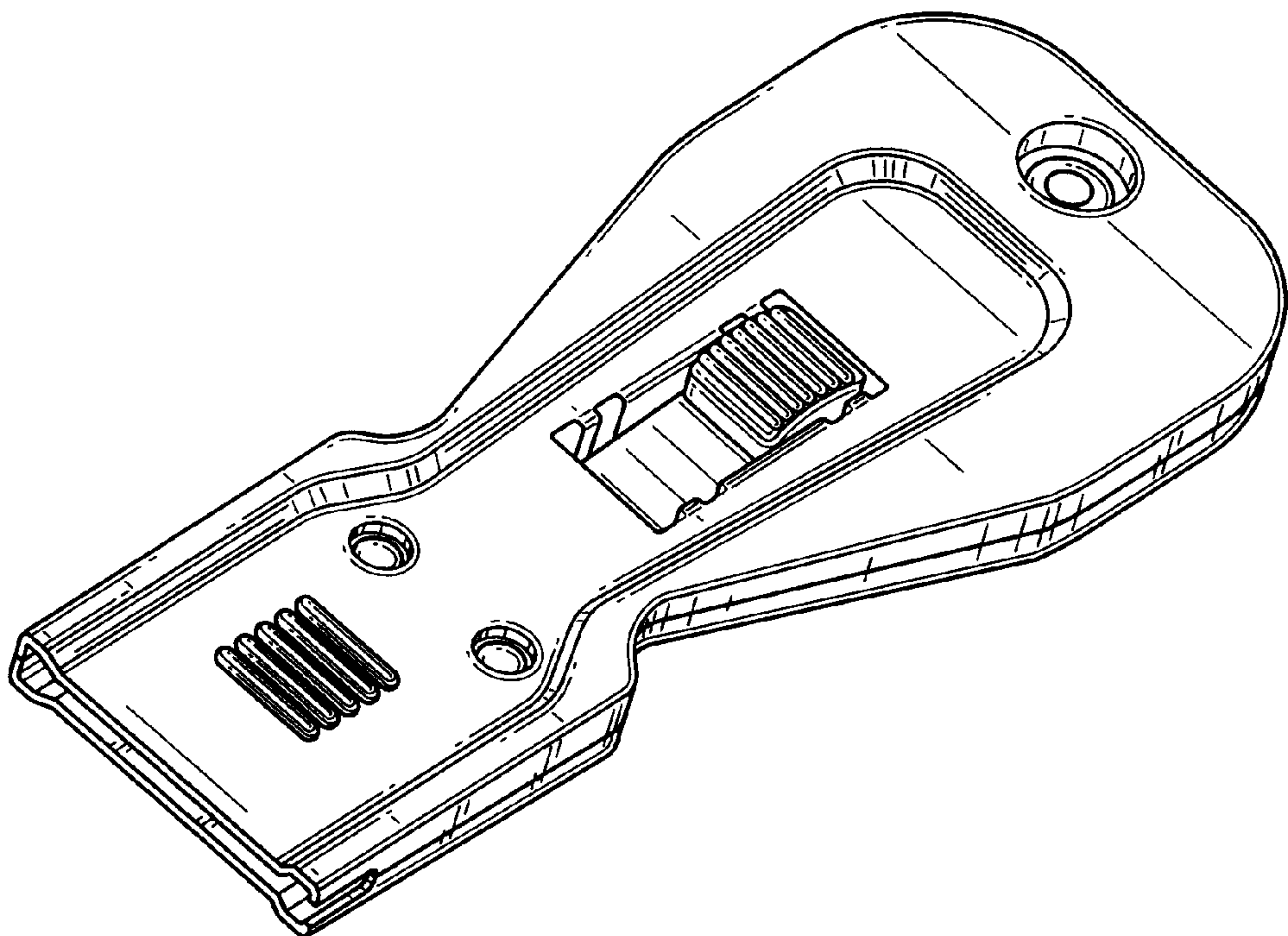
FIG. 1 is a perspective view showing an upper side of single edge scraper according to the present invention;
FIG. 2 is a plan view showing top surface of the single edge scraper according to the invention;
FIG. 3 is a plan view showing the lower surface of the single edge scraper according to the invention;
FIG. 4 is a first side view of the single edge scraper according to the invention as seen from first side thereof;
FIG. 5 is a second view of the single edge scraper according to the invention as seen from a second side thereof;
FIG. 6 is a first end view of the single edge scraper according to the invention as seen from a first end thereof; and,
FIG. 7 is a second end view of the single edge scraper according to the invention as seen from a second end thereof.

(56) **References Cited**

U.S. PATENT DOCUMENTS

3,964,162 A	6/1976	Gerson et al.	
D282,881 S	* 3/1986	Gringer D32/48
4,803,751 A	2/1989	Cousins	
4,955,138 A	9/1990	Henke et al.	
5,009,009 A	4/1991	Stinson	
5,056,226 A	10/1991	Gringer	
D338,822 S	8/1993	Mallalieu	
D346,319 S	4/1994	Lavallee et al.	
RE34,979 E	6/1995	Gringer	
5,433,004 A	7/1995	Thompson et al.	
5,528,832 A	6/1996	Schmidt	

1 Claim, 5 Drawing Sheets



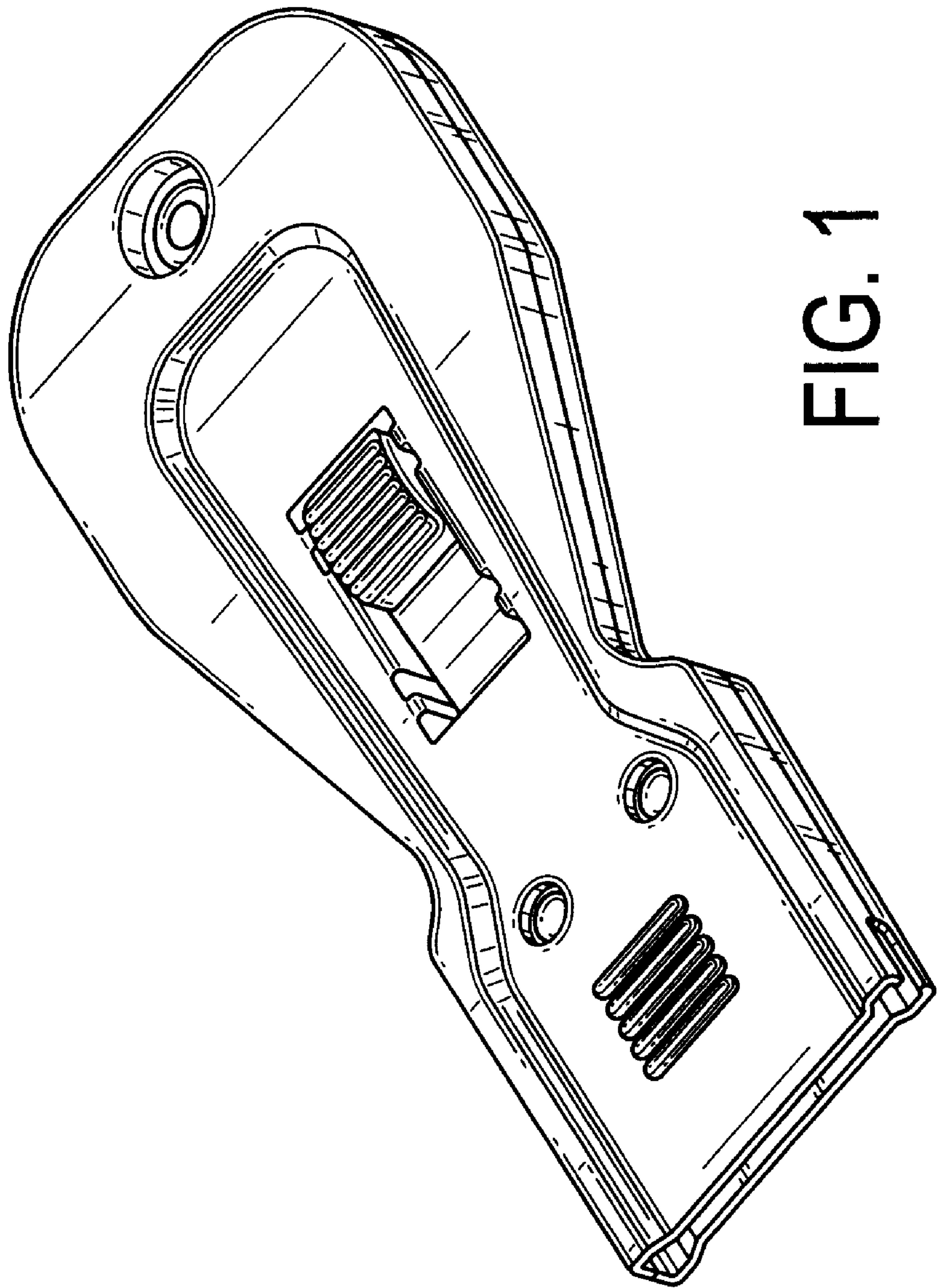


FIG. 1

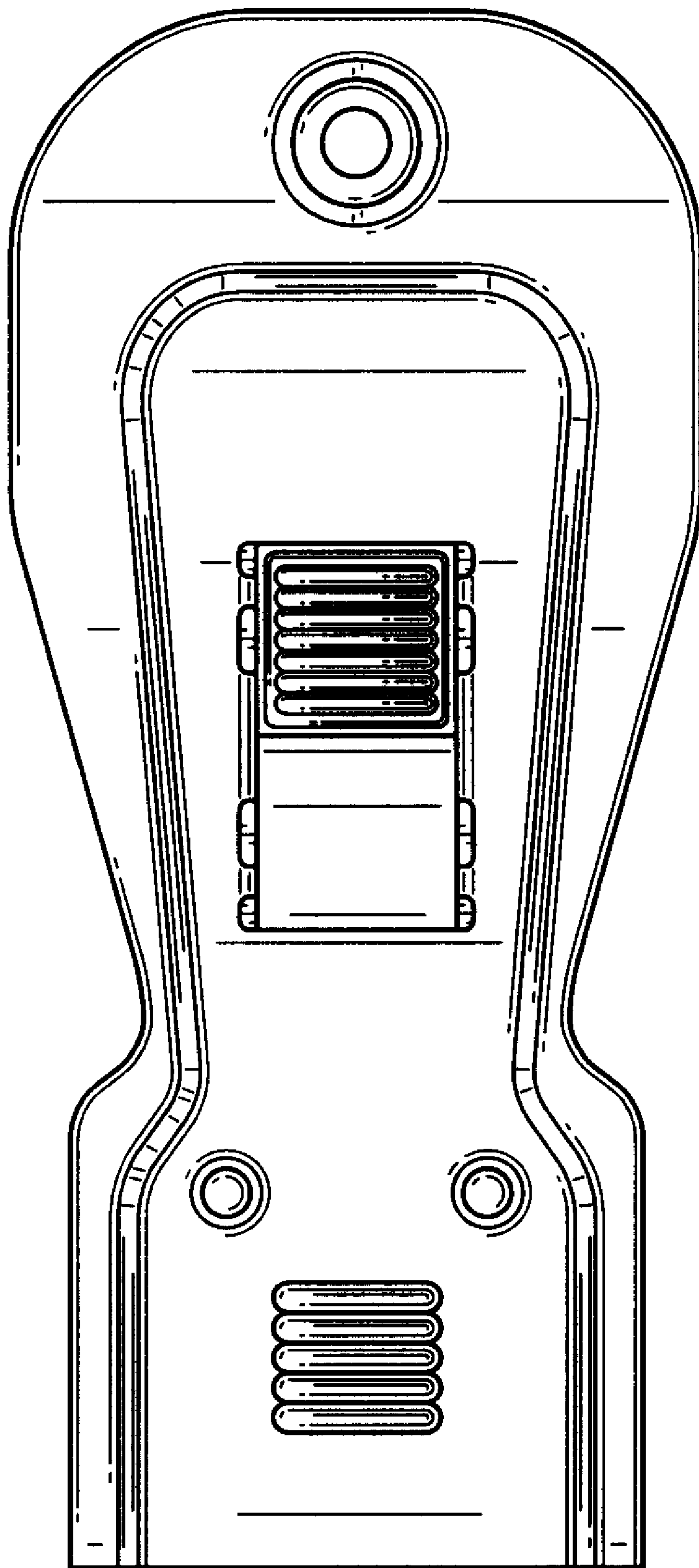


FIG. 2

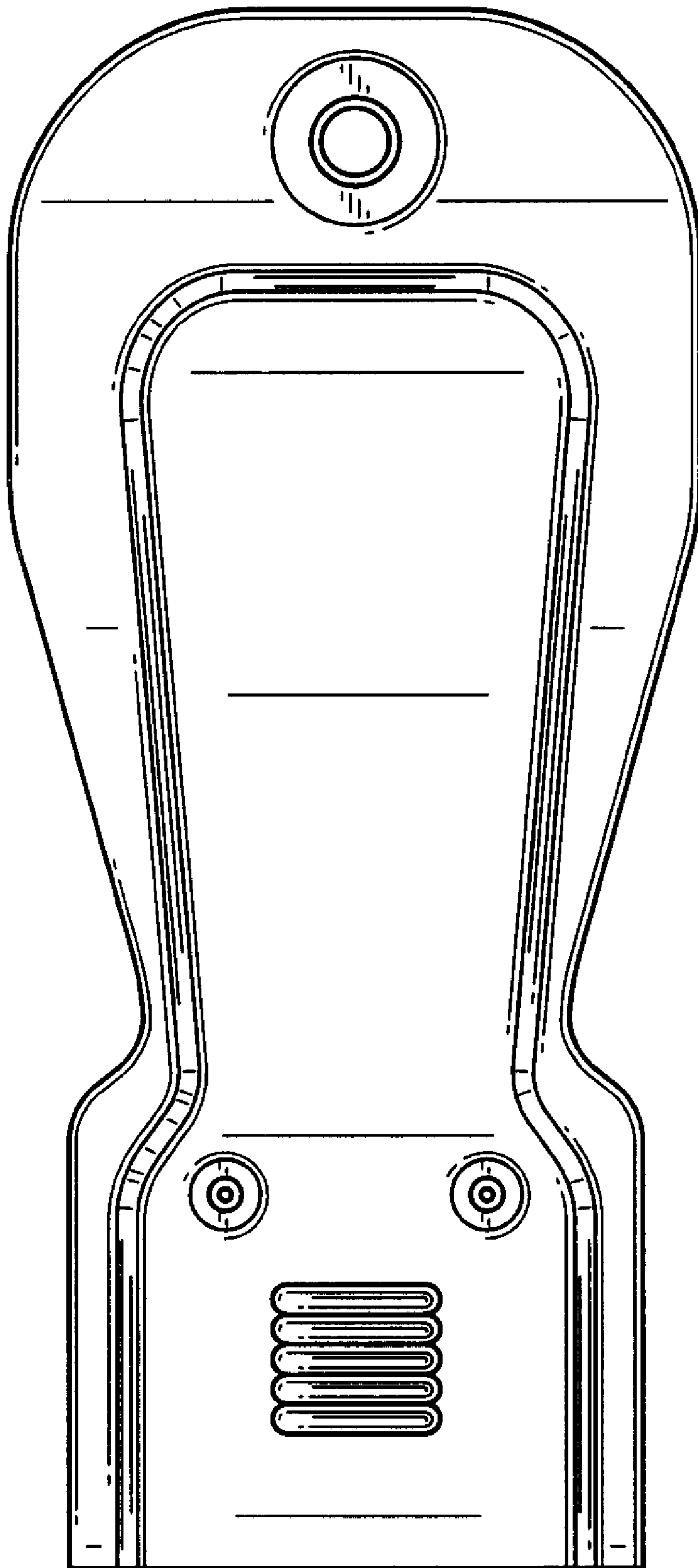


FIG. 3



FIG. 4



FIG. 5

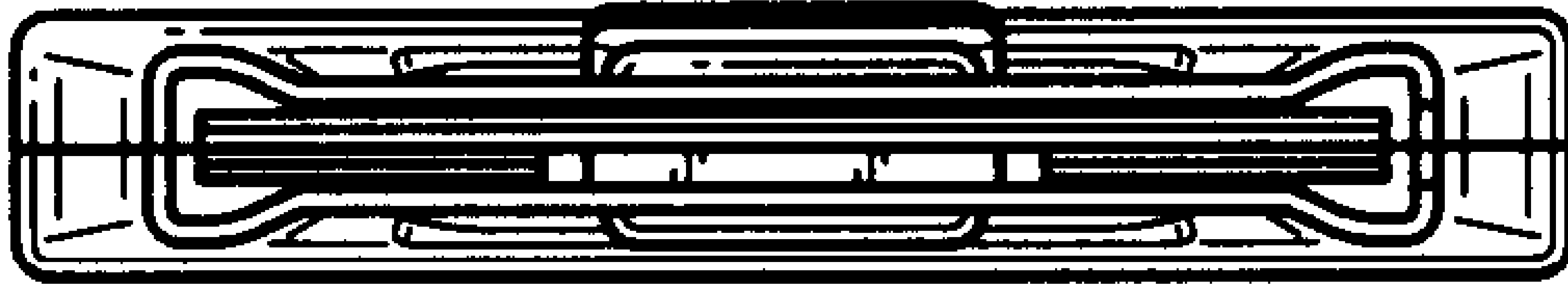


FIG. 6

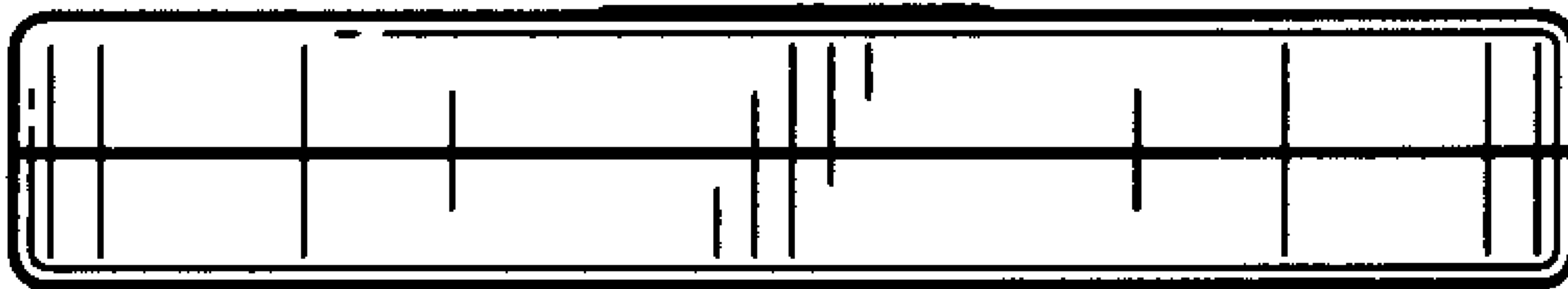


FIG. 7