



US00D467390S

(12) **United States Design Patent**
Lewis

(10) **Patent No.:** **US D467,390 S**

(45) **Date of Patent:** **** Dec. 17, 2002**

(54) **HAIRSTYLING TOOL HOLDER**

(76) **Inventor:** **Clifford E. Lewis**, 3117 Forsythe Dr.,
Huntsville, AL (US) 35810

(**) **Term:** **14 Years**

(21) **Appl. No.:** **29/146,452**

(22) **Filed:** **Aug. 9, 2001**

(51) **LOC (7) Cl.** **28-03**

(52) **U.S. Cl.** **D28/73; D28/38**

(58) **Field of Search** **D28/38, 73, 18;**
D8/71; D6/512, 524, 526, 527, 553, 567,
569, 571; D13/108, 145, 146; 219/222-227,
229, 240, 242, 521, 531; 211/13.1, 26,
26.2, 60.1, 70.6; 248/117.1, 309.1, 314,
906; 361/600

(56) **References Cited**

U.S. PATENT DOCUMENTS

- 1,462,392 A * 7/1923 Strickland 219/521
- 4,117,967 A * 10/1978 Regelson et al. 219/242 X
- D256,637 S * 9/1980 Chiklis D6/571
- D302,738 S * 8/1989 Doyle D38/38
- 5,054,615 A 10/1991 Stillwagon et al.
- 5,615,782 A 4/1997 Choe
- 5,794,799 A 8/1998 Collins et al.

- D410,111 S * 5/1999 Henry D28/38
- 5,917,694 A * 6/1999 Denny 211/70.6 X
- D426,025 S * 5/2000 Holmes et al. D28/38
- 6,070,729 A 6/2000 Barnes
- 6,109,446 A 8/2000 Foote
- 6,305,388 B1 * 10/2001 Zeller 132/314

* cited by examiner

Primary Examiner—Ted Shooman

Assistant Examiner—C Tuttle

(74) *Attorney, Agent, or Firm*—Lanier Ford Shaver &
Payne, P.C.; Gerald M. Walsh

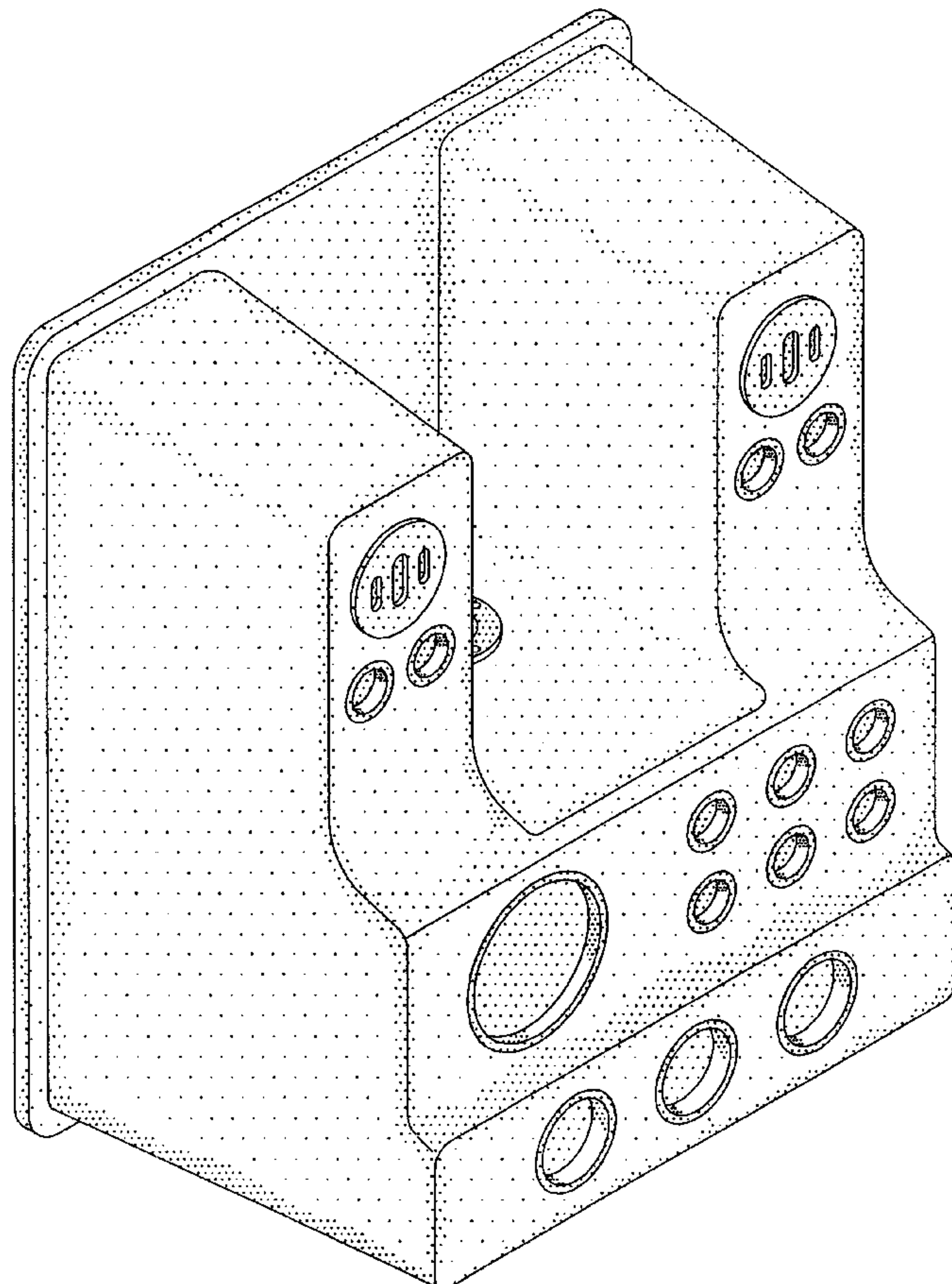
(57) **CLAIM**

The ornamental design for a hairstyling tool holder, as shown and described.

DESCRIPTION

FIG. 1 is a top, front, left perspective view of the hairstyling tool holder of the present invention;
 FIG. 2 is a front elevation view thereof;
 FIG. 3 is a rear elevation view thereof;
 FIG. 4 is a top plan view thereof;
 FIG. 5 is a bottom plan view thereof;
 FIG. 6 is a left side elevation view thereof; and,
 FIG. 7 is a right side elevation view thereof.

1 Claim, 7 Drawing Sheets



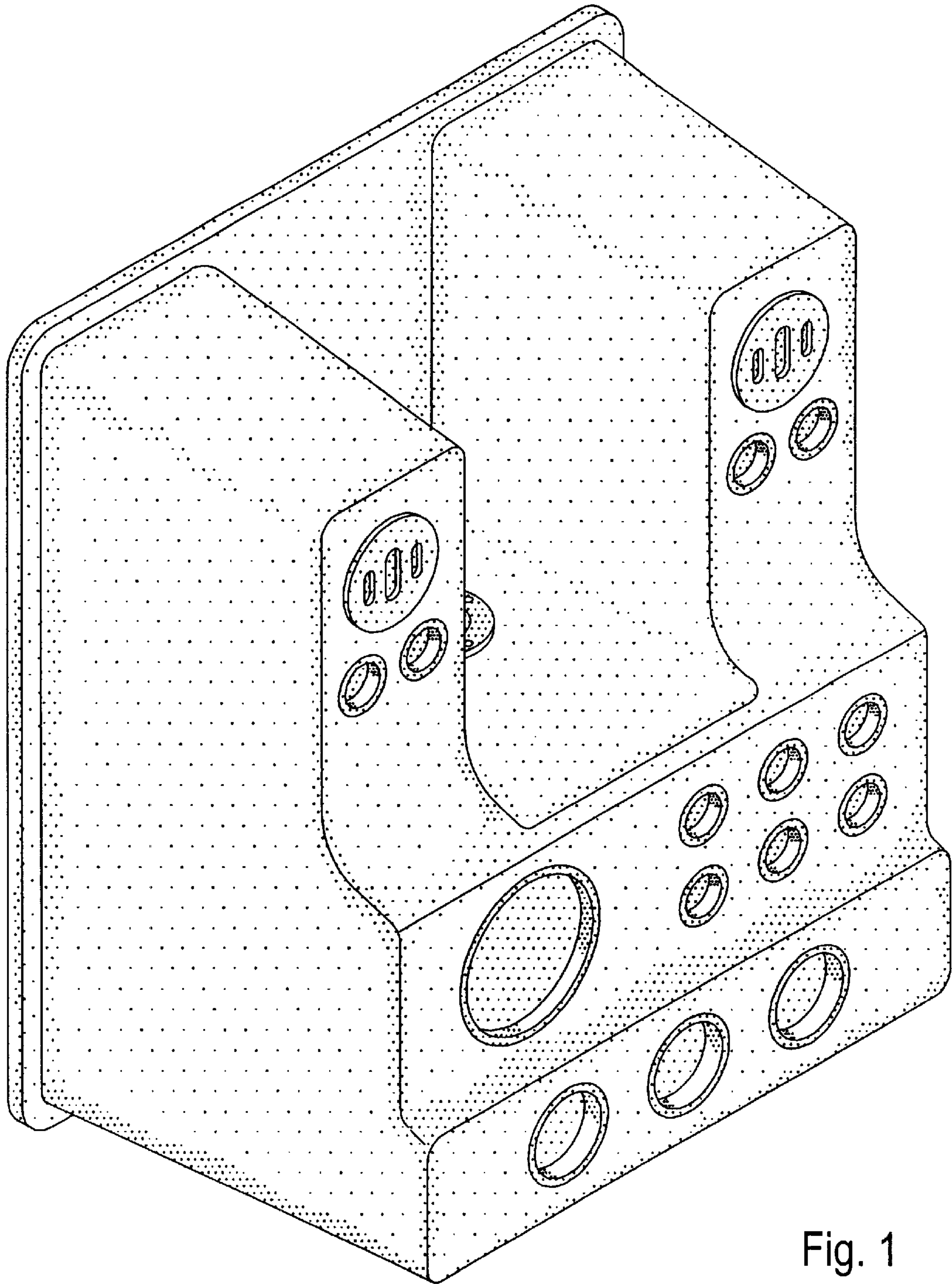


Fig. 1

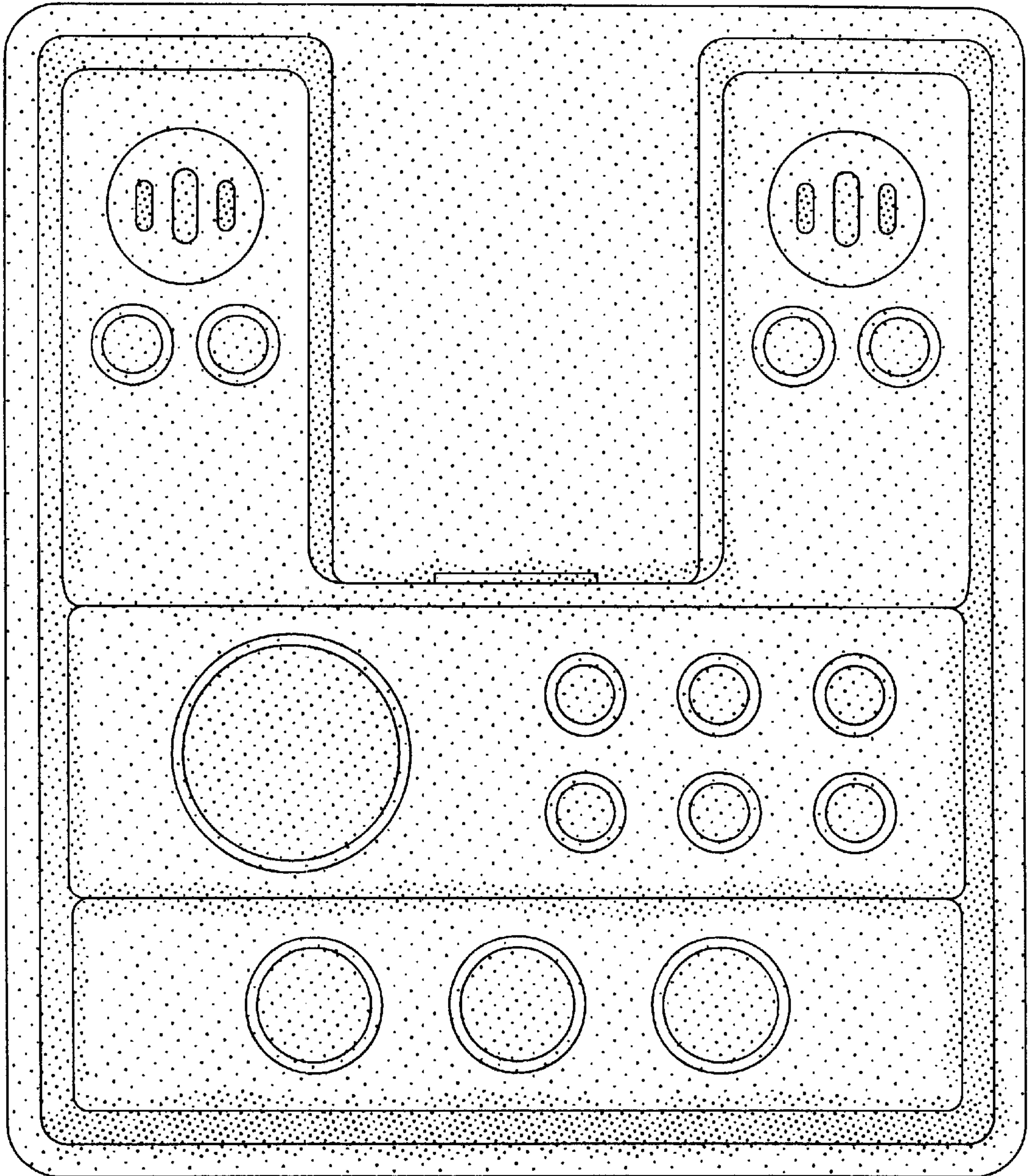


Fig. 2

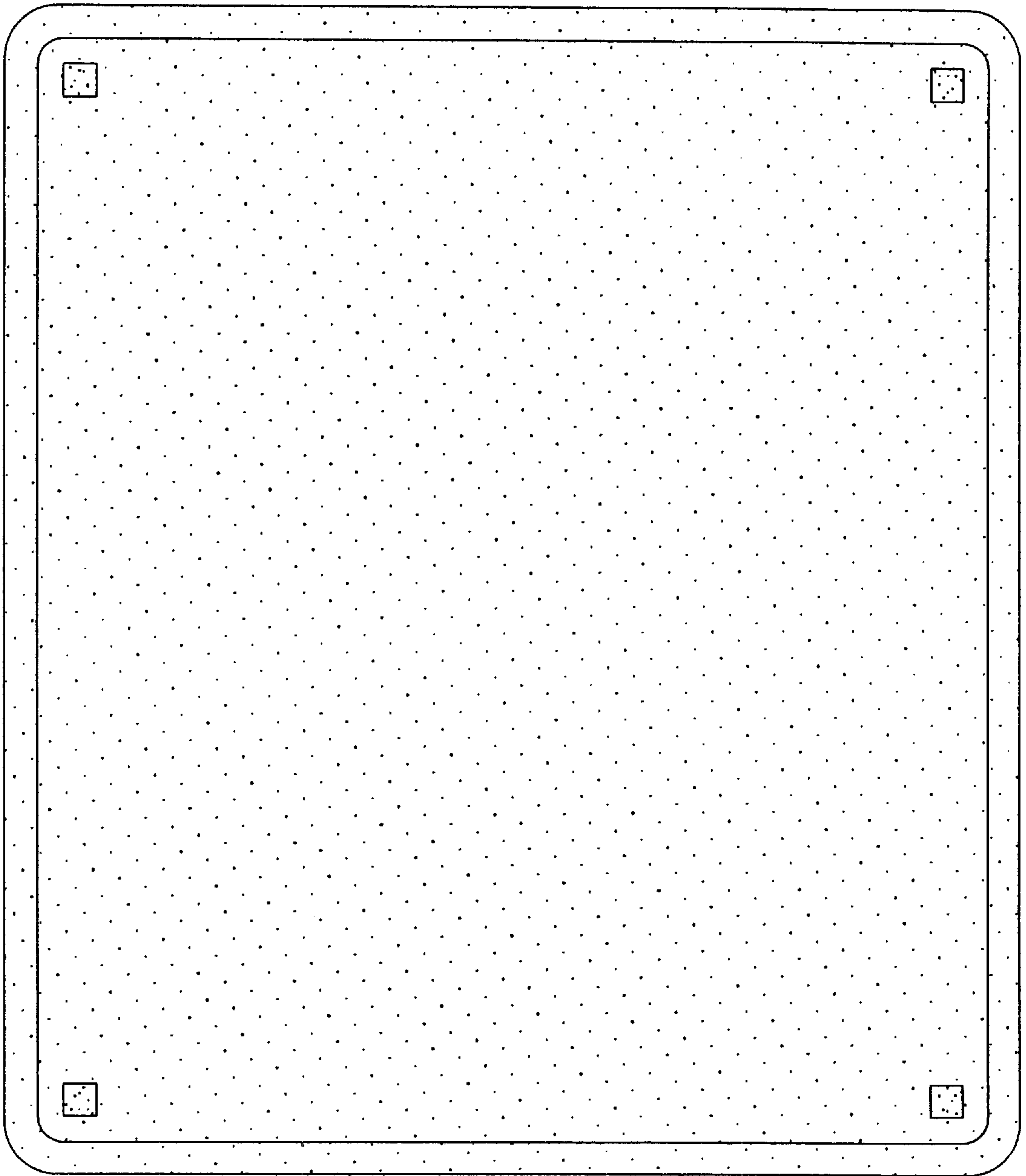


Fig. 3

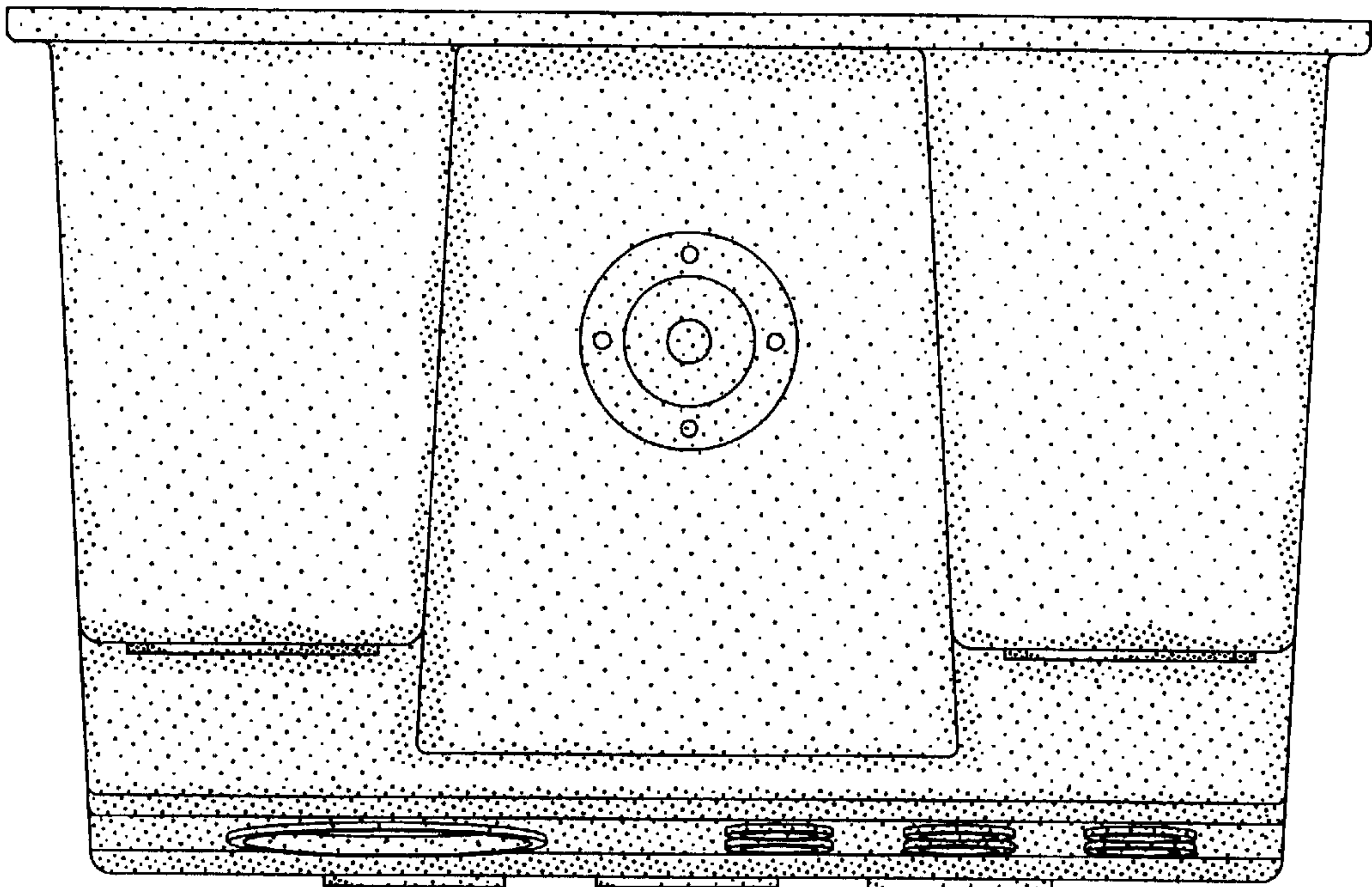


Fig. 4

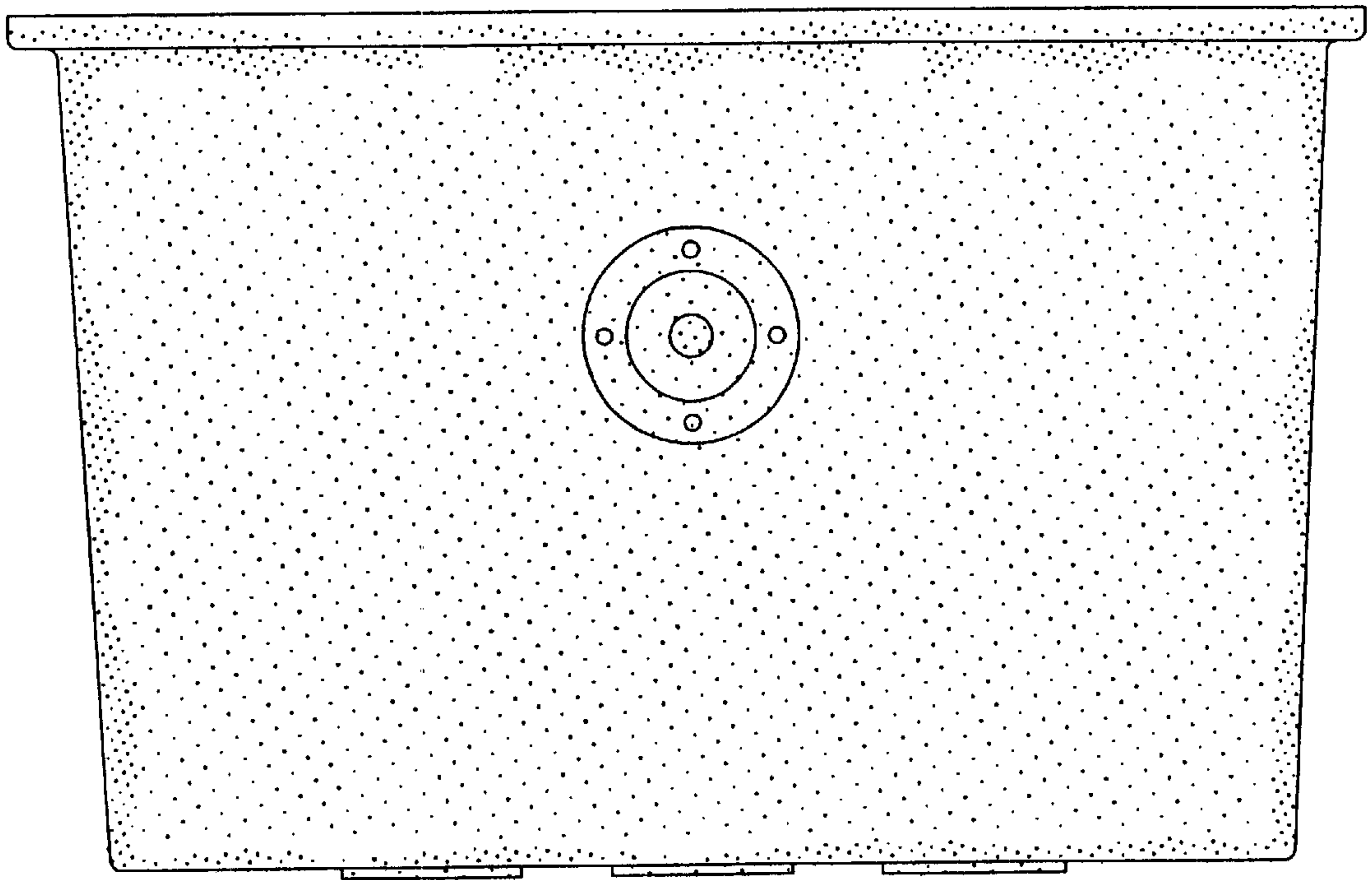


Fig. 5

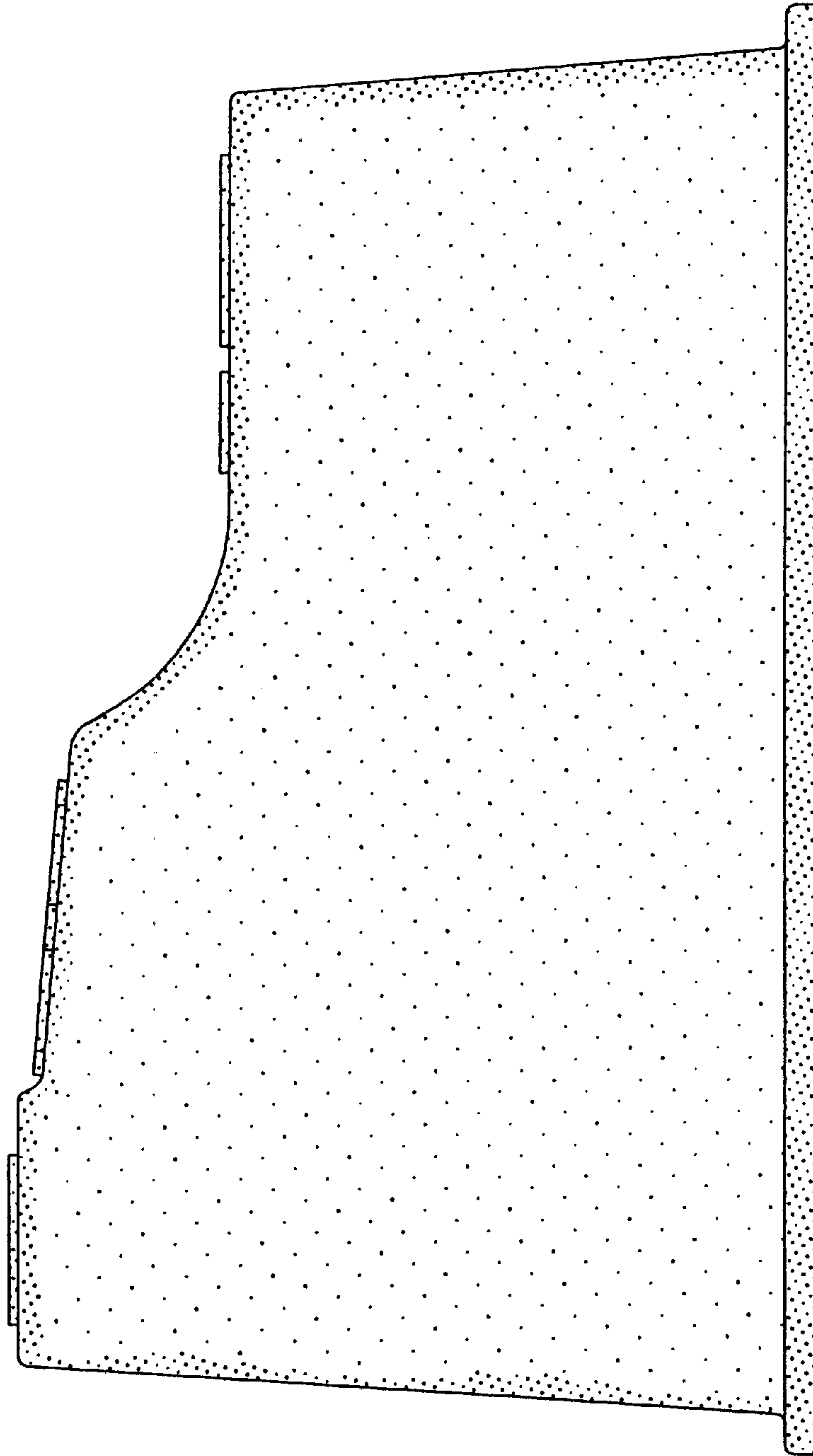


Fig. 6

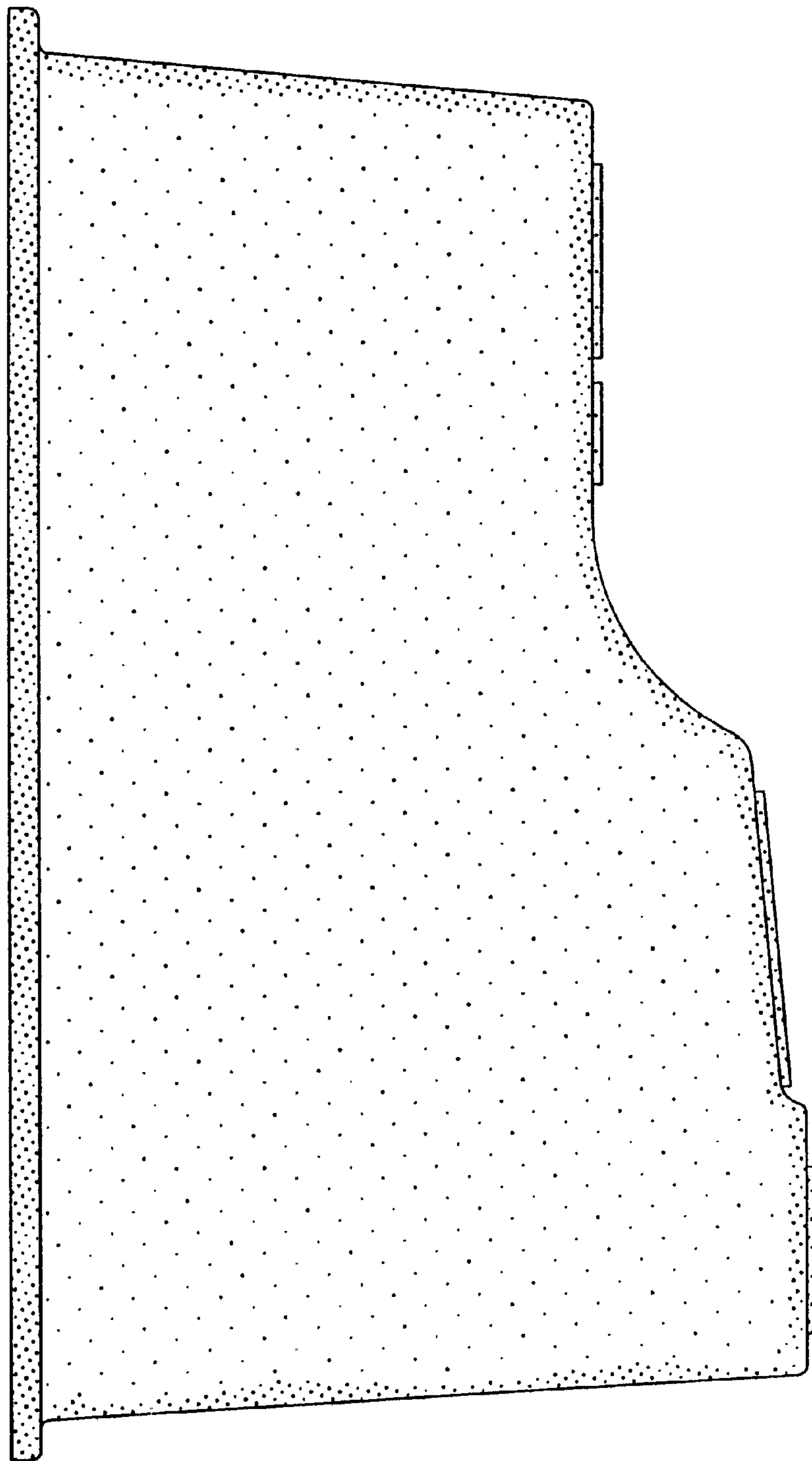


Fig. 7