



US00D467387S

(12) **United States Design Patent**  
**Wonderley**

(10) **Patent No.:** **US D467,387 S**

(45) **Date of Patent:** **\*\* Dec. 17, 2002**

(54) **PREP RAZOR**

(75) **Inventor:** **Jeffrey W. Wonderley**, Fort Defiance,  
VA (US)

(73) **Assignee:** **American Safety Razor Company**,  
Verona, VA (US)

(\*\*) **Term:** **14 Years**

(21) **Appl. No.:** **29/155,239**

(22) **Filed:** **Feb. 8, 2002**

(51) **LOC (7) Cl.** ..... **28-03**

(52) **U.S. Cl.** ..... **D28/45**

(58) **Field of Search** ..... D28/44-48; 30/32,  
30/34.06, 34.1, 34.2, 35-40, 41, 41.5-41.9,  
47-51, 57-60, 60.5, 61-74, 74.1, 75-84,  
526, 539; D24/133, 146, 147

(56) **References Cited**

**U.S. PATENT DOCUMENTS**

- 2,839,224 A \* 6/1958 Lipka ..... 30/41 X
- D215,915 S \* 11/1969 Biklen ..... D28/46
- 3,795,979 A \* 3/1974 Perry ..... 30/526
- 3,810,305 A \* 5/1974 Perry ..... 30/47
- D234,648 S \* 3/1975 Braginetz ..... D28/46

- D239,742 S \* 4/1976 Rees ..... D28/46
- 4,094,066 A \* 6/1978 Daniel, Jr. .... 30/346.58
- 5,133,131 A \* 7/1992 Hoffman ..... 30/50

\* cited by examiner

*Primary Examiner*—Mitchell Siegel

*Assistant Examiner*—C. Tuttle

(74) *Attorney, Agent, or Firm*—McDermott, Will & Emery

(57) **CLAIM**

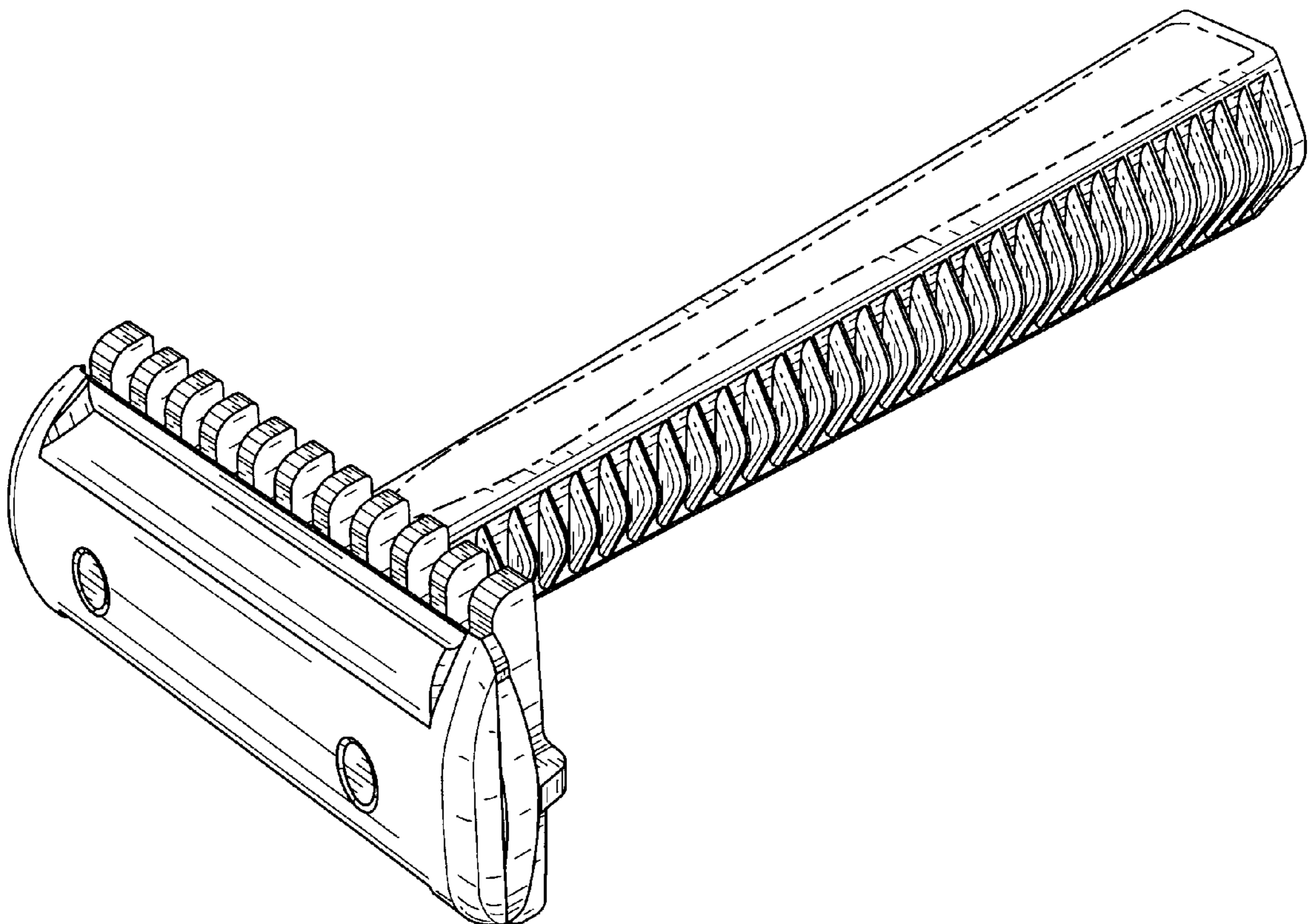
An ornamental design for a prep razor, as shown and described in the drawings.

**DESCRIPTION**

FIG. 1 is a front perspective view of the prep razor showing the new design;  
 FIG. 2 is a front view of the prep razor;  
 FIG. 3 is a rear view of the prep razor;  
 FIG. 4 is a right side view of the prep razor;  
 FIG. 5 is a left side view of the prep razor;  
 FIG. 6 is a top view of the prep razor; and,  
 FIG. 7 is a bottom view of the first embodiment of the prep razor.

The portions shown in broken lines are for illustrative purposes only and form no part of the claimed design.

**1 Claim, 4 Drawing Sheets**



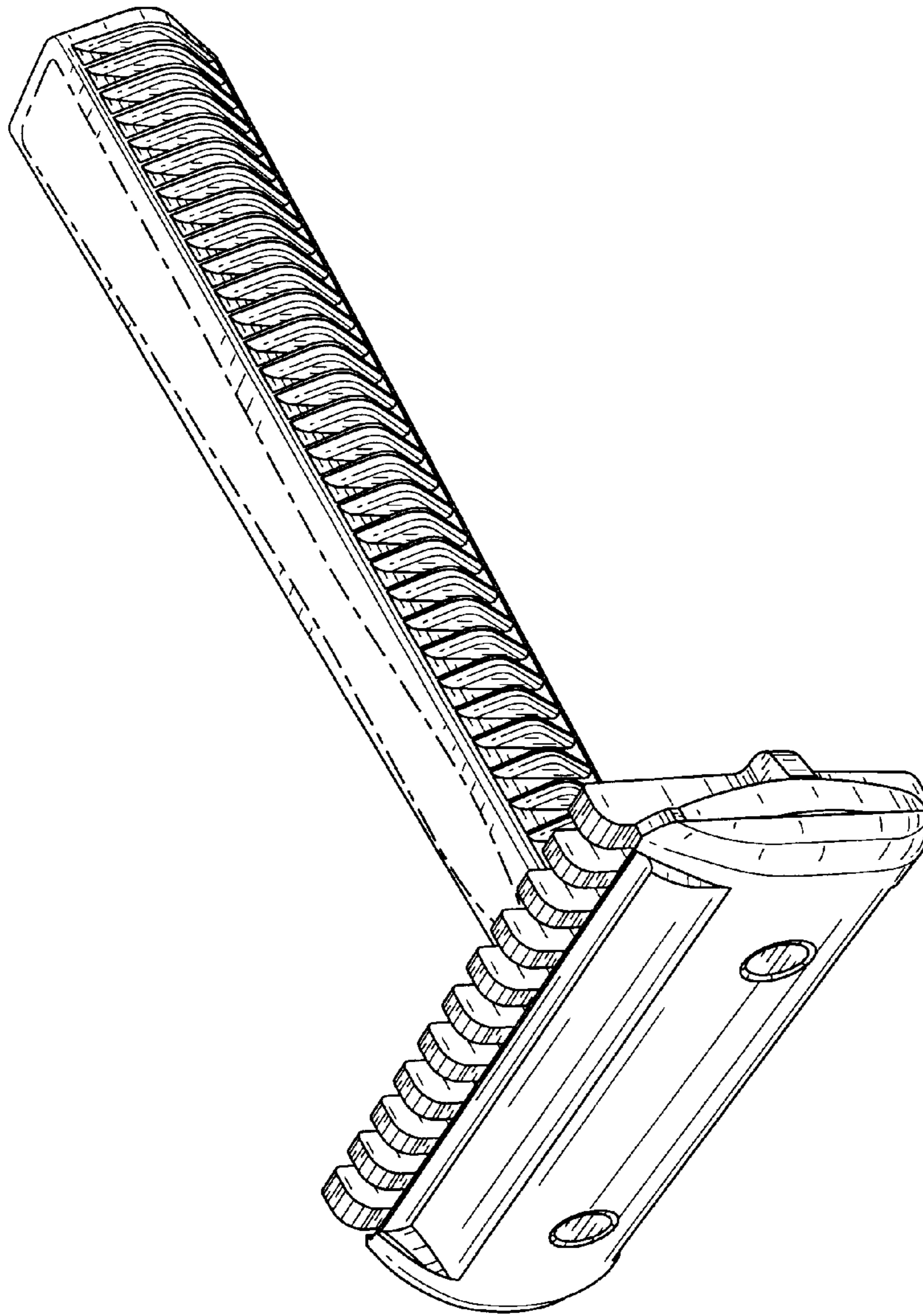


FIG. 1

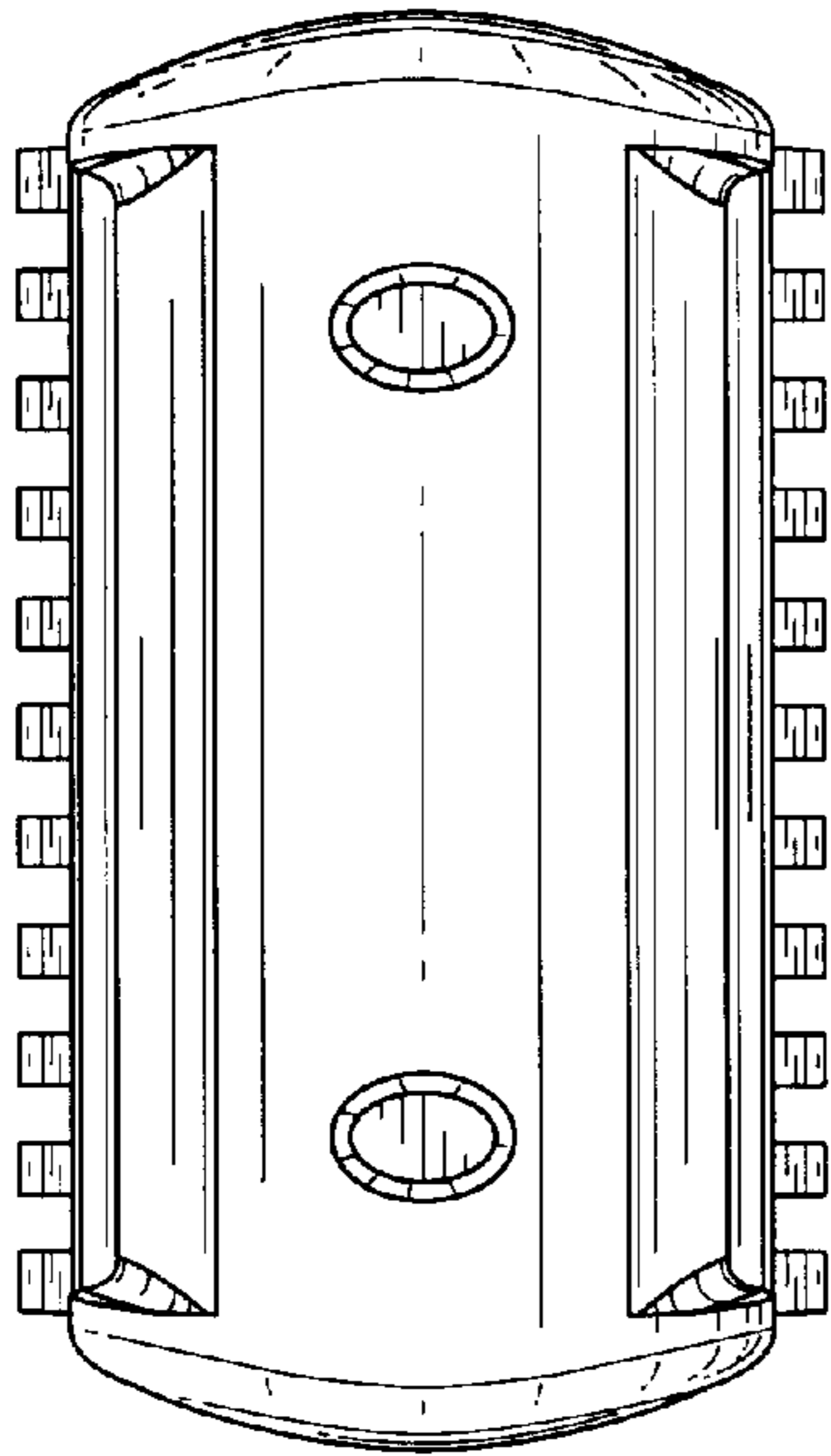


FIG. 2

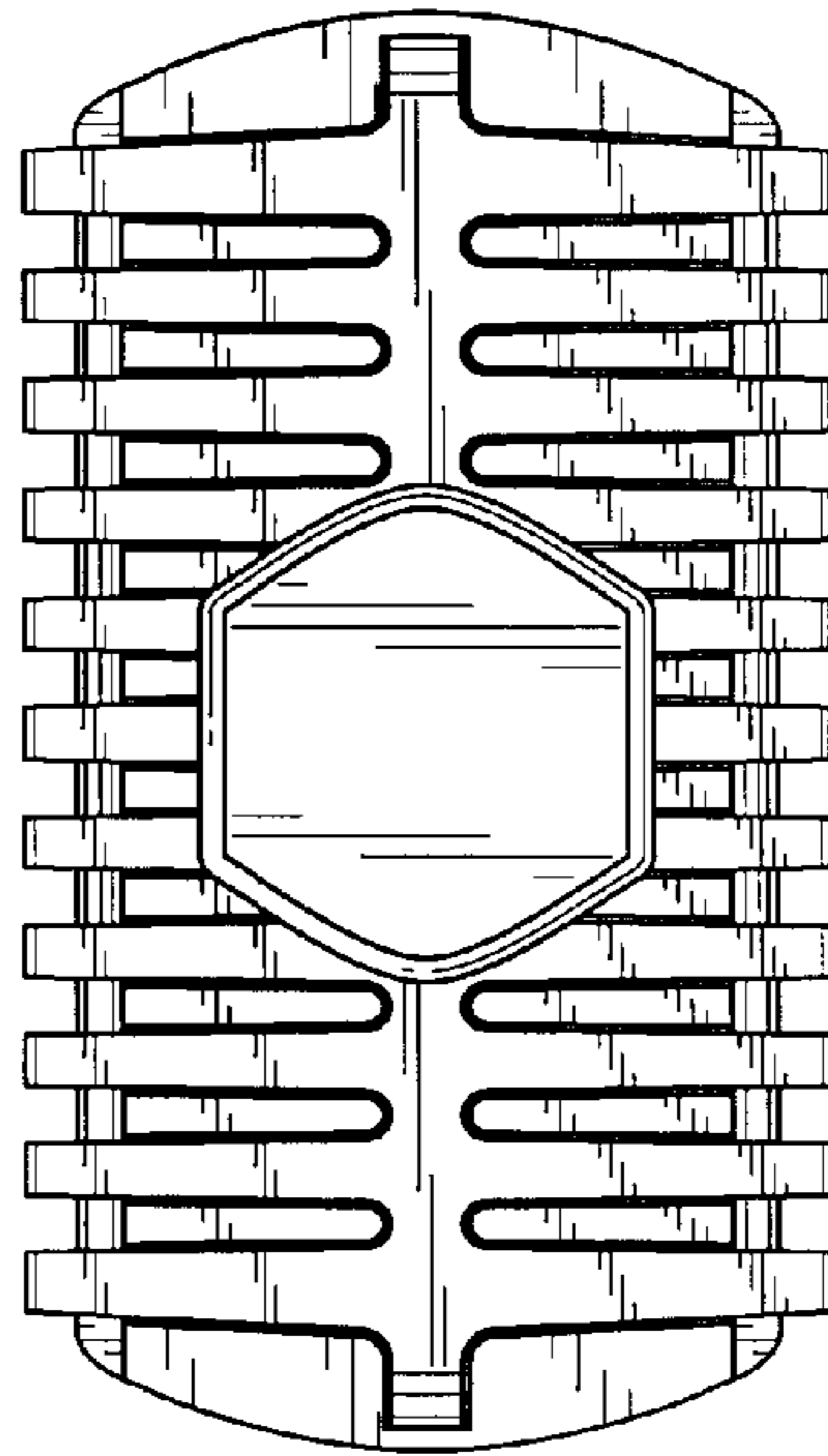


FIG. 3

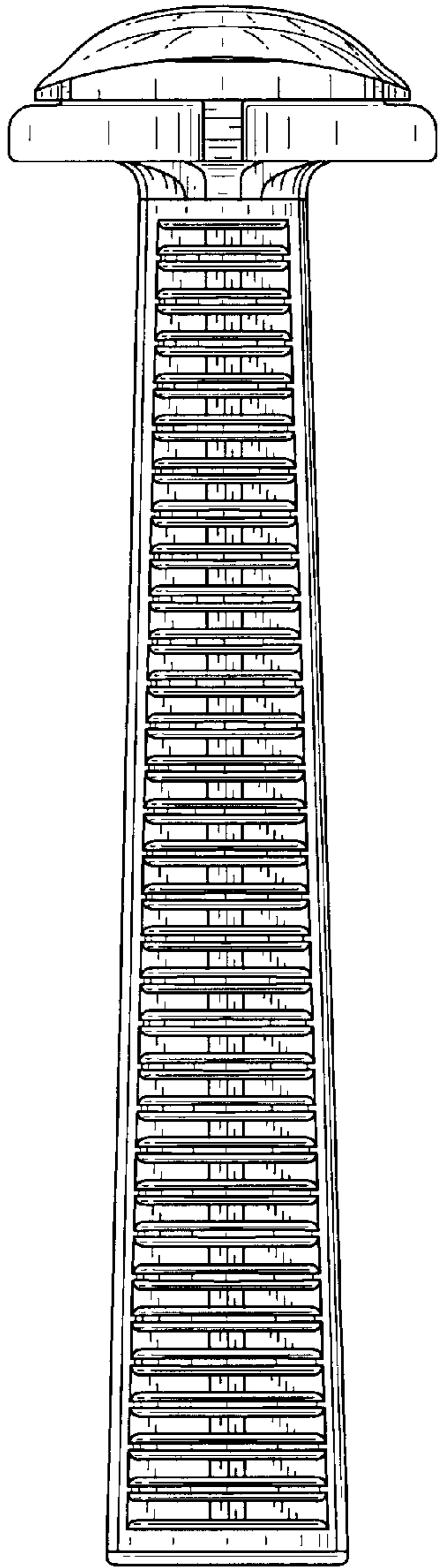


FIG. 4

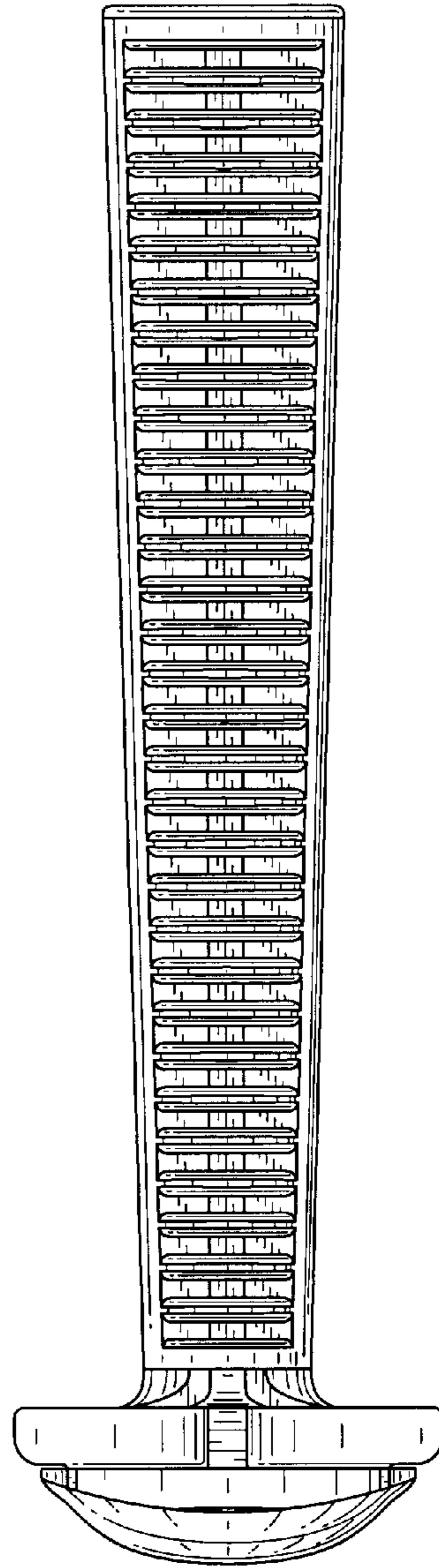


FIG. 5

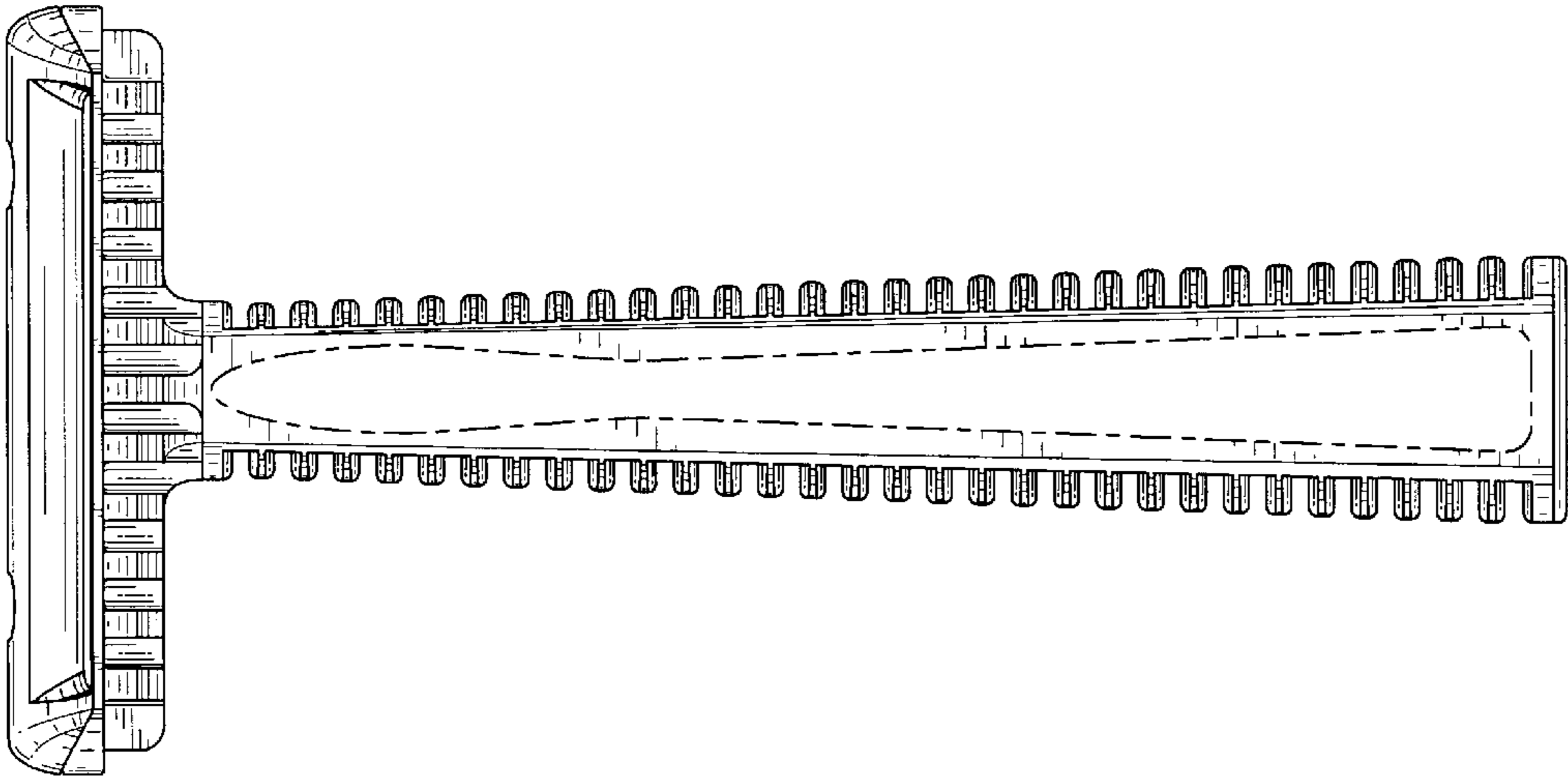


FIG. 7

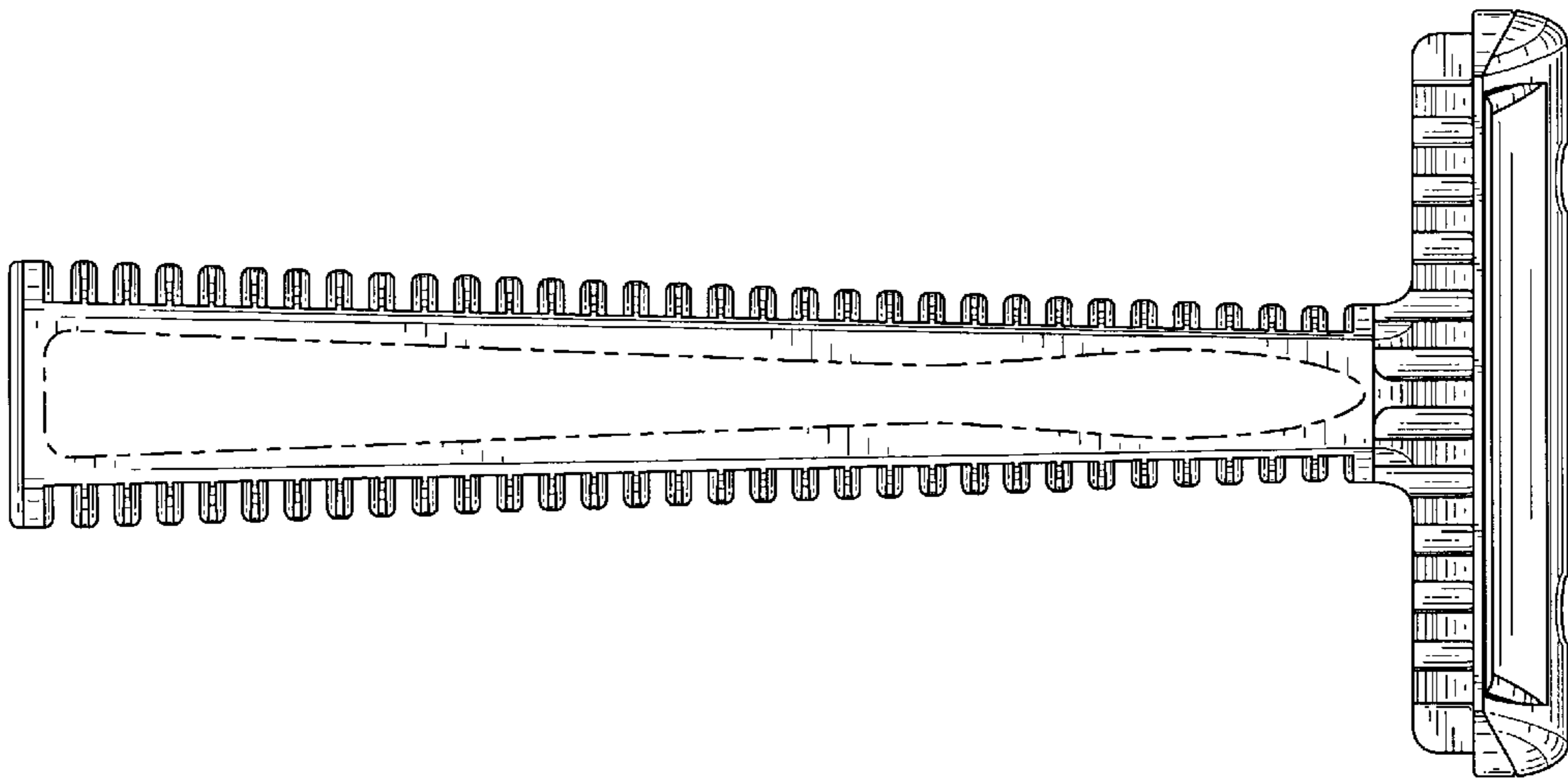


FIG. 6