



US00D467386S

(12) **United States Design Patent** (10) **Patent No.:** **US D467,386 S**
Carlucci et al. (45) **Date of Patent:** **** Dec. 17, 2002**

(54) **HAIR ROLLER**

(75) Inventors: **Vito J. Carlucci**, Stratford, CT (US);
Daniel Santhouse, Wilton, CT (US);
Paul Andrew Abraham, Mount Kisco,
 NY (US)

(73) Assignee: **Conair CIP, Inc.**, Stamford, CT (US)

(**) Term: **14 Years**

(21) Appl. No.: **29/153,326**

(22) Filed: **Nov. 9, 2001**

(51) **LOC (7) Cl.** **28-03**

(52) **U.S. Cl.** **D28/37**

(58) **Field of Search** D28/35, 37, 38;
132/223, 226-269

(56) **References Cited**

U.S. PATENT DOCUMENTS

2,319,658	A	5/1943	Caldora	
2,847,015	A	8/1958	Davis	
2,888,937	A	6/1959	Weldon	
3,057,365	A	10/1962	Buzzelli et al.	
D204,355	S	4/1966	Solomon	
D207,938	S	6/1967	Bybjerg	
3,419,018	A	12/1968	Solomon	
D215,129	S	* 9/1969	Talge	D28/37
D215,781	S	10/1969	Tolmie	
3,472,245	A	* 10/1969	Abe	132/233
3,527,237	A	9/1970	Abe	
D229,447	S	11/1973	Jensen	
3,867,953	A	2/1975	Stohr	
D257,595	S	12/1980	Bullock	D28/37

4,486,915	A	* 12/1984	Stewart	219/222	X
RE32,349	E	2/1987	Glucksman		
4,866,249	A	* 9/1989	Howard	219/225	
D311,970	S	11/1990	Montagnino et al.	D28/37	
5,606,983	A	* 3/1997	Monty et al.	132/229	

FOREIGN PATENT DOCUMENTS

CH	354905	7/1961
SU	0492269	3/1978

* cited by examiner

Primary Examiner—Ted Shooman

Assistant Examiner—C Tuttle

(74) *Attorney, Agent, or Firm*—Ohlandt, Greenley,
Ruggiero & Perle, LLP

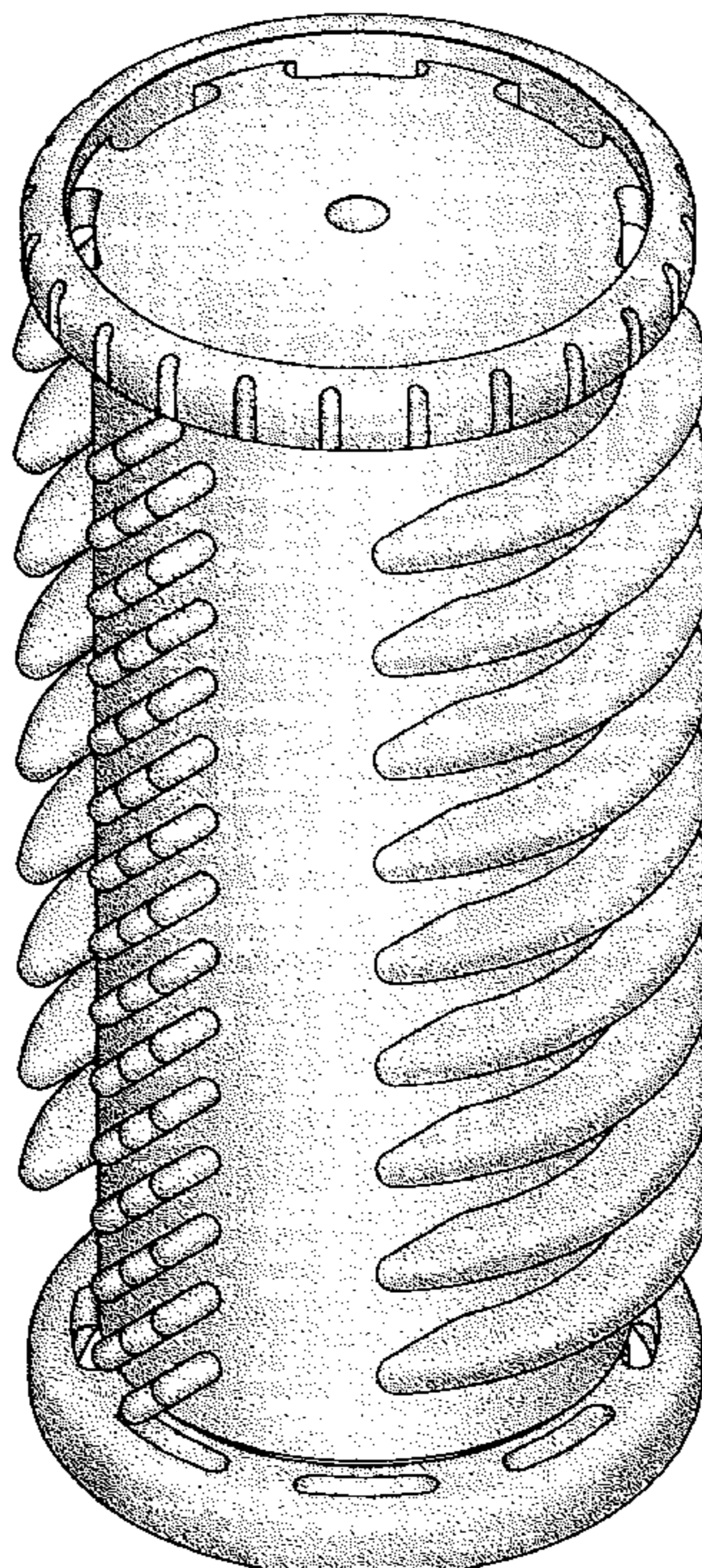
(57) **CLAIM**

The ornamental design for the hair roller, as shown and described in the accompanying figures.

DESCRIPTION

FIG. 1 is a perspective view of a hair roller according to the present invention;
 FIG. 2 is a front view of the hair roller of FIG. 1;
 FIG. 3 is a rear view, opposite the front view, of the hair roller of FIG. 1;
 FIG. 4 is a left side view of the hair roller of FIG. 1, which is rotated ninety degrees from the front view of FIG. 2;
 FIG. 5 is a right side view opposite the left side view, of the hair roller of FIG. 4;
 FIG. 6 is a top end view of the hair roller of FIG. 1; and,
 FIG. 7 is a bottom end view, opposite the top end view, of the hair roller of FIG. 1.

1 Claim, 4 Drawing Sheets



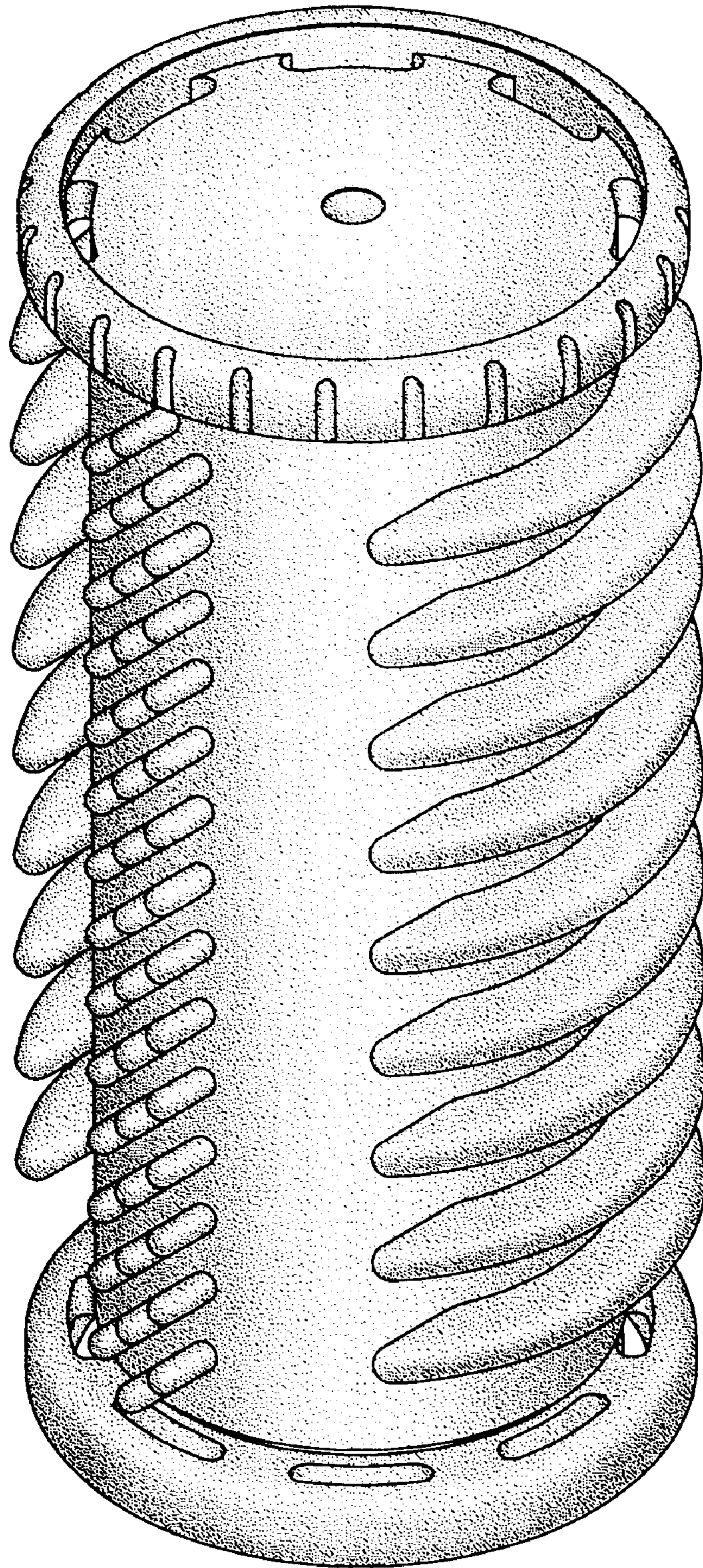


FIG. 1

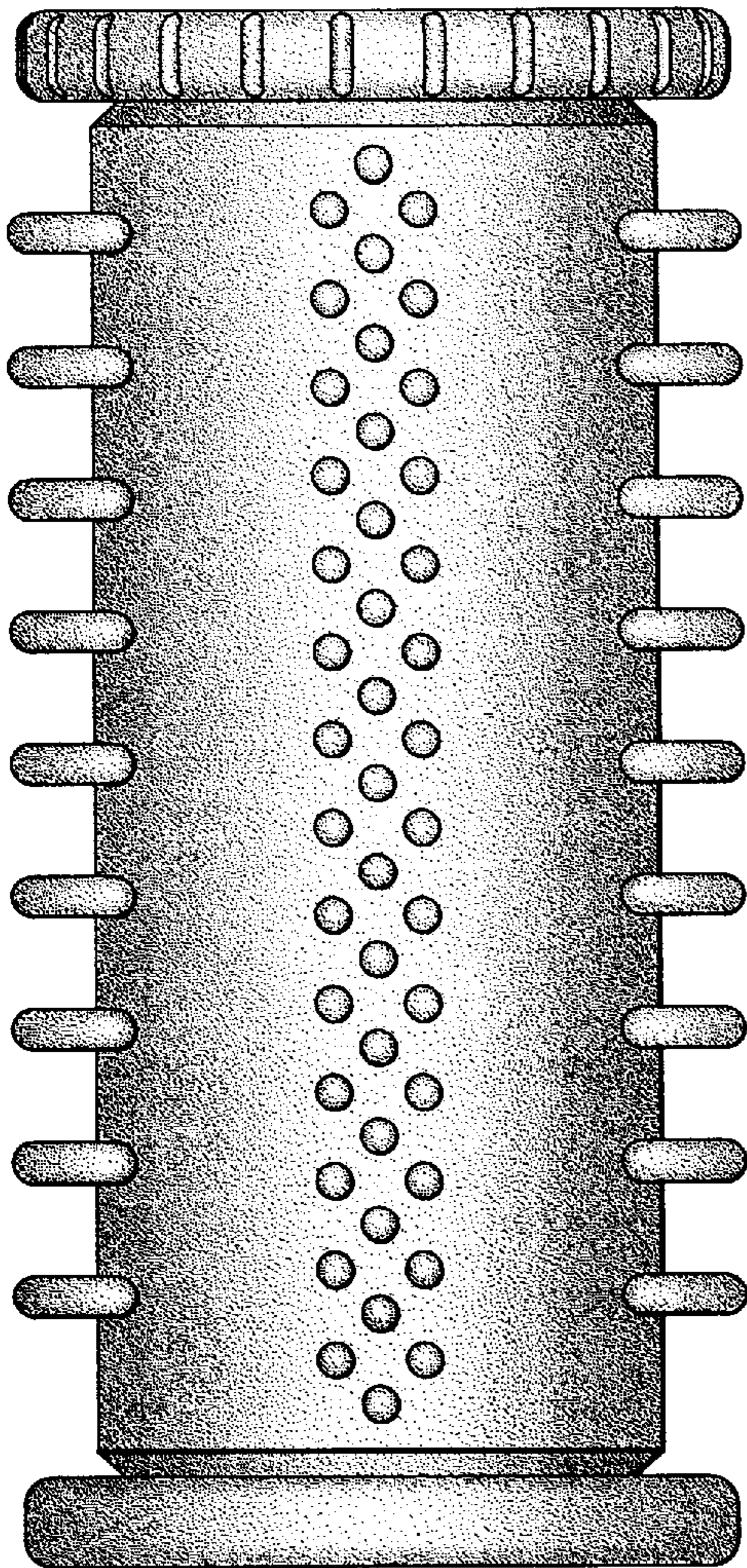


FIG. 2

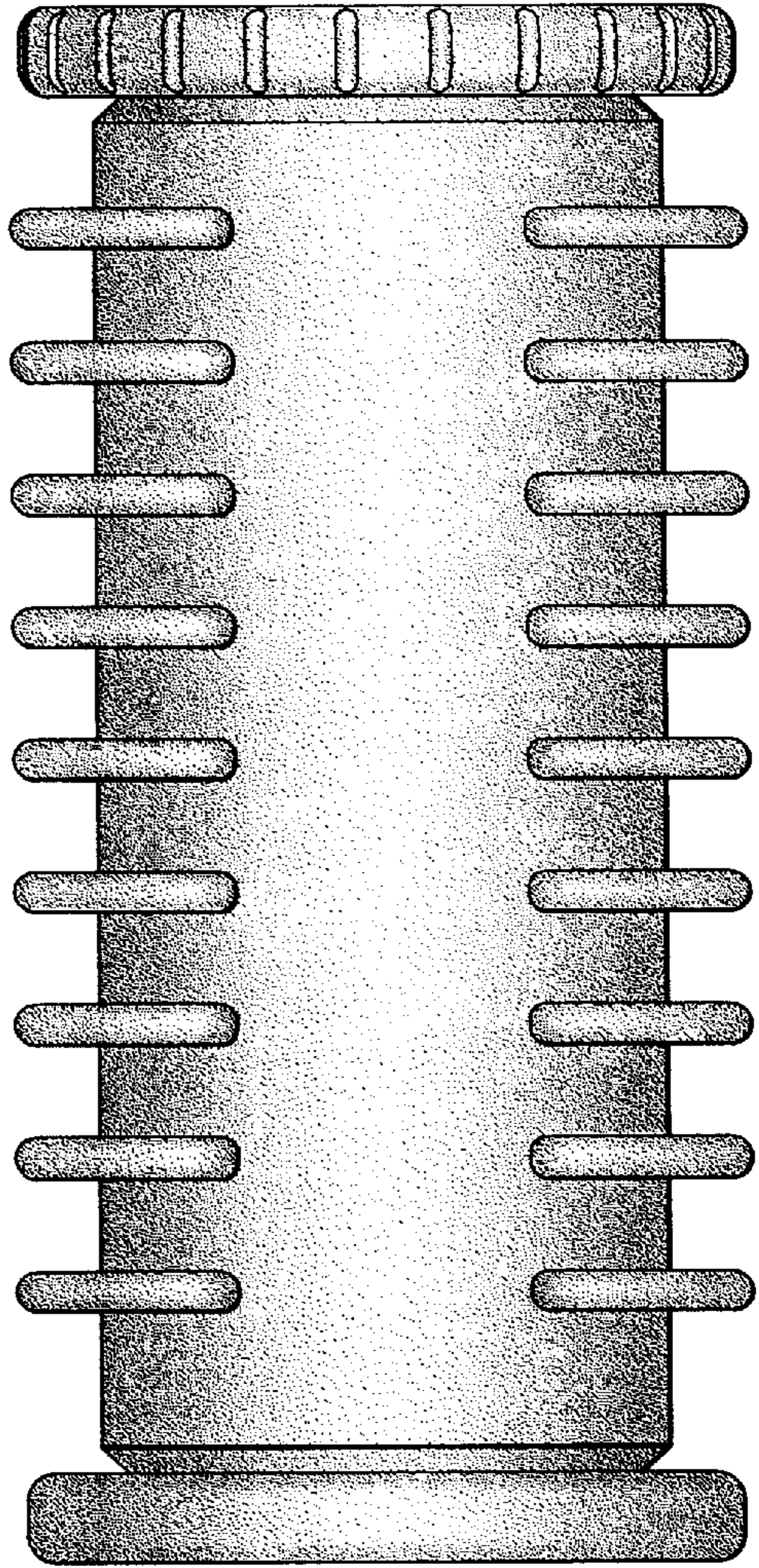


FIG. 3

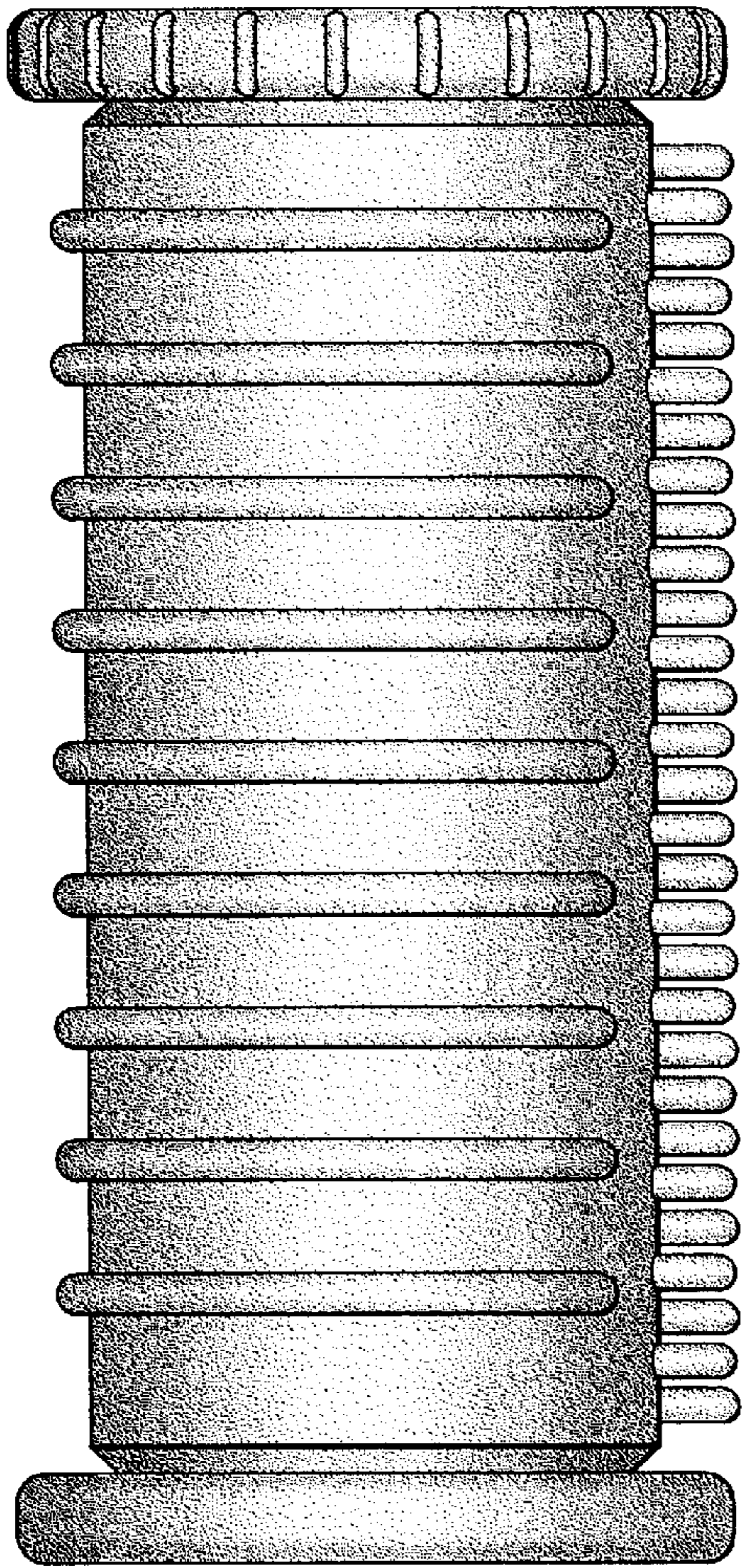


FIG. 4

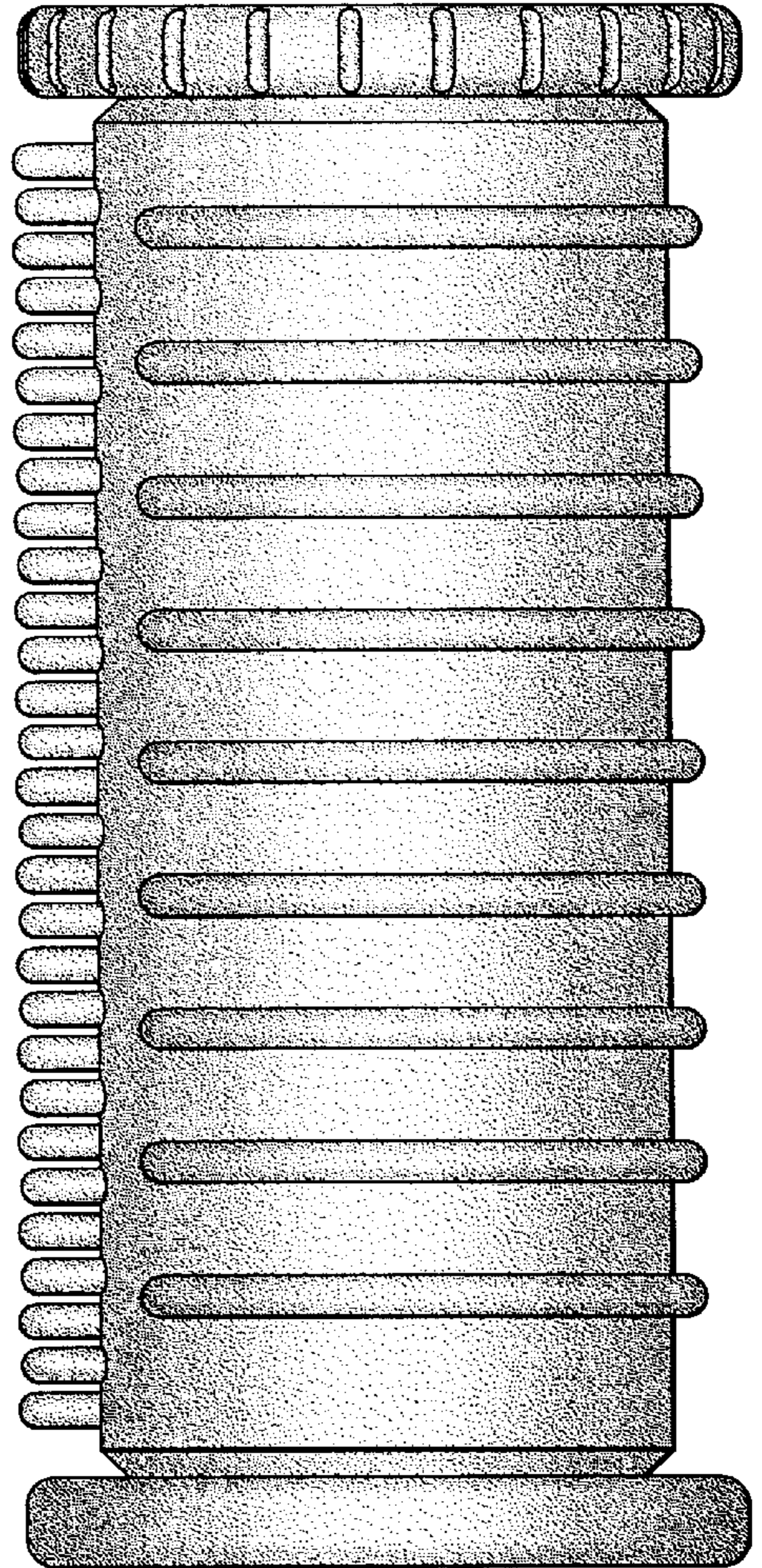


FIG. 5

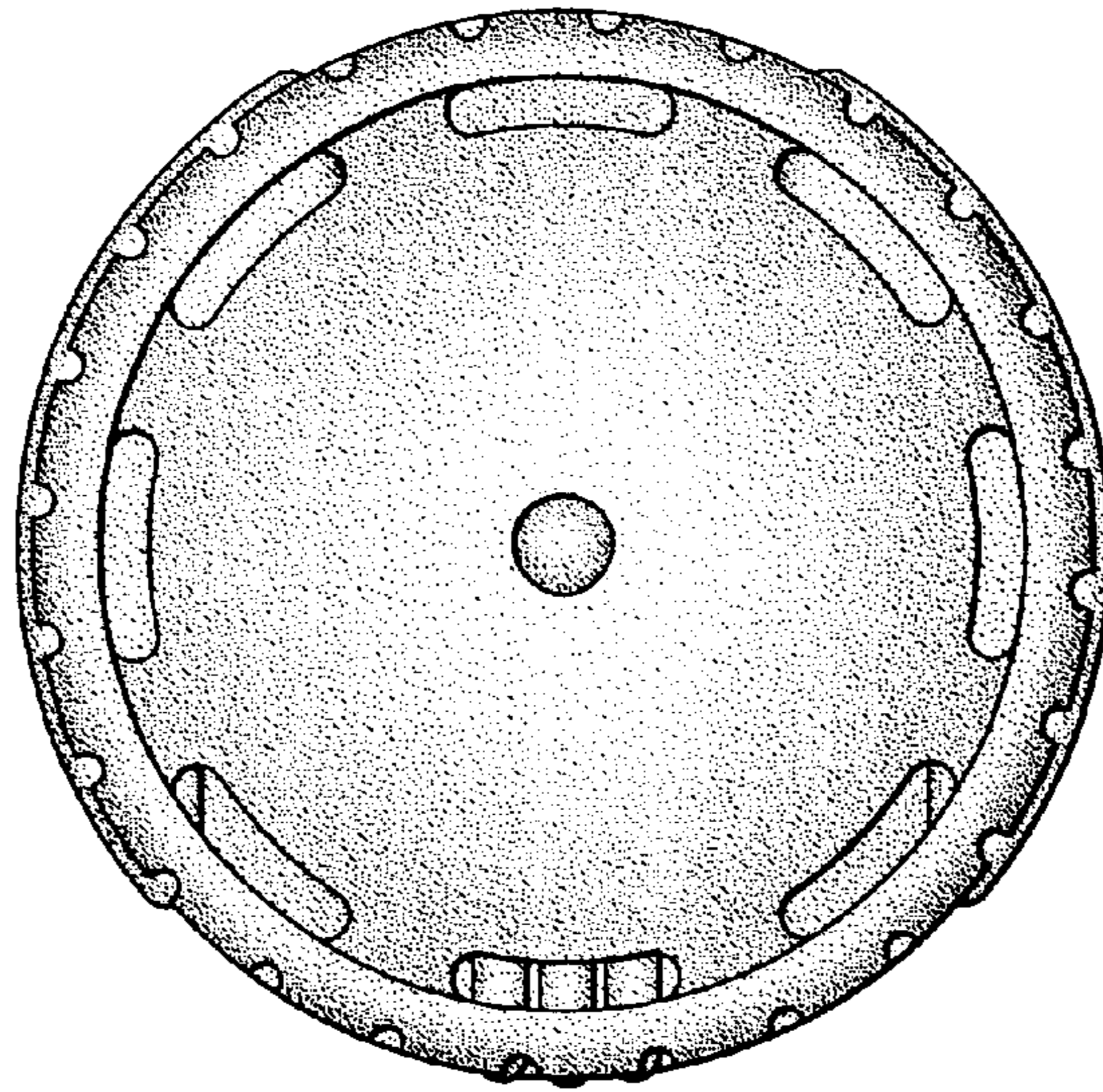


FIG. 6

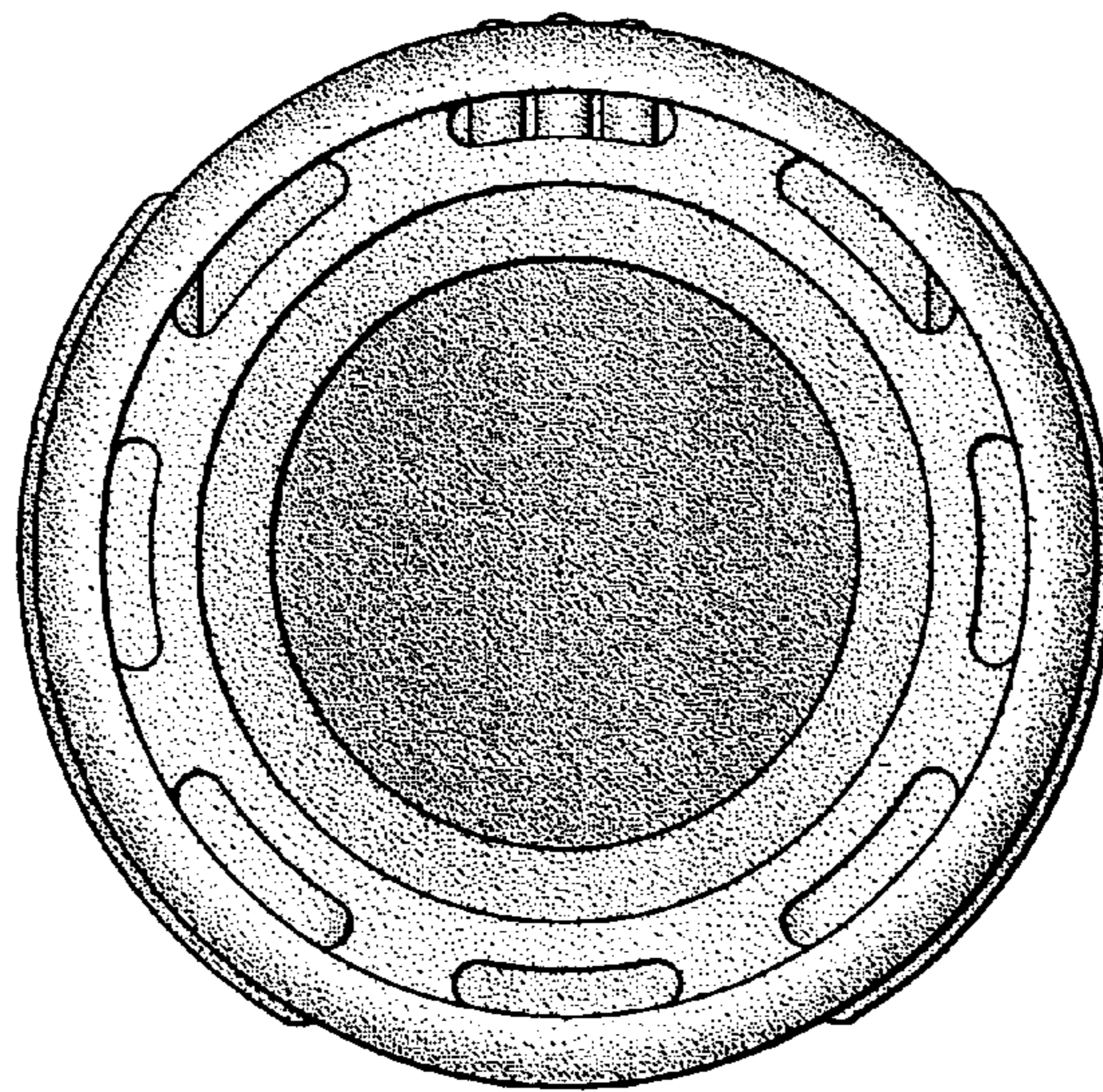


FIG. 7